

PARTS CATALOGUE

60FET '02 (6H24)

60FETO '02 (6H23)

70BETO '02 (6H31)

FOREWORD

This Parts Catalogue is related to the parts for the model(s) in the below frame. When you are ordering replacement parts, please refer to this Parts Catalogue and quote both part numbers and part names correctly.

60FET'02(6H24), 60FETO'02(6H23)
70BETO'02(6H31)

1. Modifications or additions which have been made after issue of the Parts Catalogue will be announced in the Yamaha Parts News.
It is advisable that you make necessary corrections to the Parts Catalogue according to the Yamaha Parts News.

2. Abbreviations

The Following abbreviations are used in this Parts Catalogue.

- “UR” Use specified parts number.
- “UN” Use as many as needed.
- “AP” Alternate Parts
- “LM” Local Made
(Parts need to be ordered locally)
- “O/S” Over Size

3. Parts, which are to be supplied in an assembly, are listed with a dot(.) in front of the part name as shown below.

EXAMPLE
 CARBURETOR ASSY
 .JET, PILOT
 .NOZZLE, MAIN

4. Number of component for assembly

The numeral appearing to the right of each component part indicates the quantity of parts for each assembly unit.

EXAMPLE

PART NO.	DESCRIPTION	□	▣	▤	▥	REMARKS
6E0-85500-70	C.D.I. MAGNETO ASSY	1				
6E0-85550-70	.ROTOR ASSY	1				
6E0-15723-00-94.	.PULLY, STARTER	1				

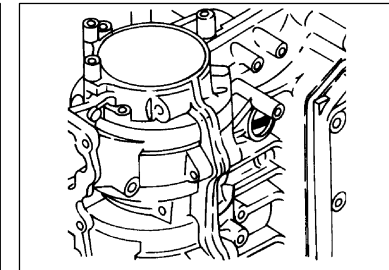
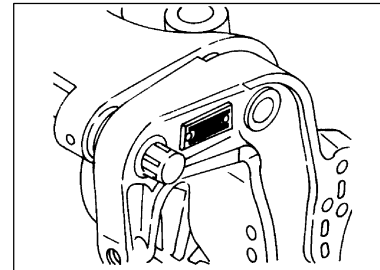
5. Quantity Column Information

NAME for Q'TY COLUMN	APPLICABLE MODEL
60ET	60FET
6ETO	60FETO
7ETO	70BETO

6. Applicable Starting Serial No. and Color Code

1) Engine Starting Sserial No.

60FET 60FETO	6H2 L : 364227 6H2 L : 476253	70BETO 6H3 L : 498526
-----------------	----------------------------------	--------------------------



2) Color Code

Color Code	Color Name	Abbreviation
004D	DARK BLUISH GRAY METALLIC 2	DBNM2

7. Note that the illustrations for reference in finding parts numbers, not to be used for assembling. When assembling, please use the applicable service manual.

8. The asterisk (*) before a reference number indicates modification items after the first edition.

CONTENTS

SHEET 1/2

TOP COWLING	A4
CYLINDER. CRANKCASE	A6
CRANKSHAFT. PISTON	B1
INTAKE 1	B2
INTAKE 2	B3
CARBURETOR 1	B4
CARBURETOR 2	B6
OIL PUMP	C1
FUEL	C4
GENERATOR	C6
ELECTRICAL	C7
STARTING MOTOR	D3
BOTTOM COWLING	D4
CONTROL	D6
BRACKET 1	E1
BRACKET 2	E3
POWER TRIM & TILT ASSY	E5
UPPER CASING	F1
LOWER CASING. DRIVE 1	F2
LOWER CASING. DRIVE 2	F6

INDEX

NUMERICAL INDEX	G1
-----------------------	----

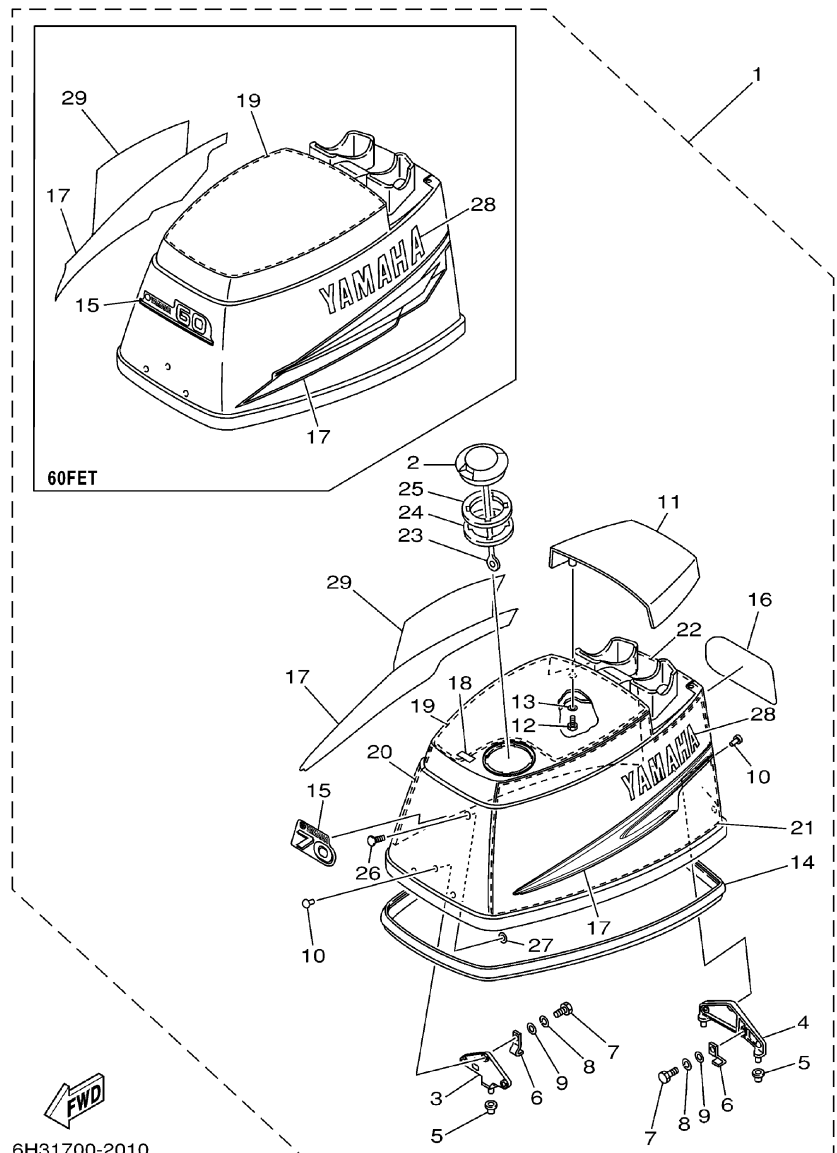
SHEET 2/2

LOWER CASING. DRIVE 2	A4*
LOWER CASING. DRIVE 3	A6*
FUEL TANK	B1*
STEERING GUIDE	B2*
REMOTE CONTROL BOX	B3*
REMOTE CONTROL ASSY	B4*
METER	B7*
REPAIR KIT 1	C1*
REPAIR KIT 2	C3*
REPAIR KIT 3	C5*

INDEX

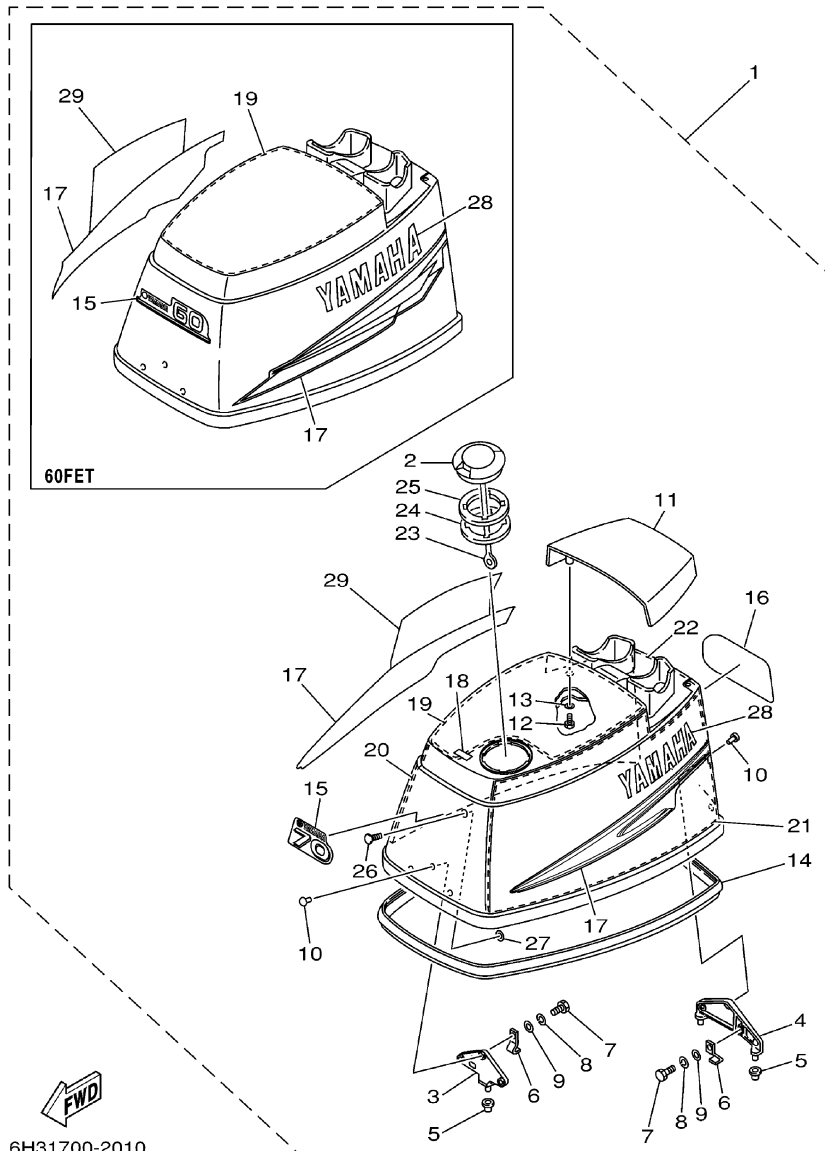
NUMERICAL INDEX	G1*
-----------------------	-----

FIG. 1 TOP COWLING



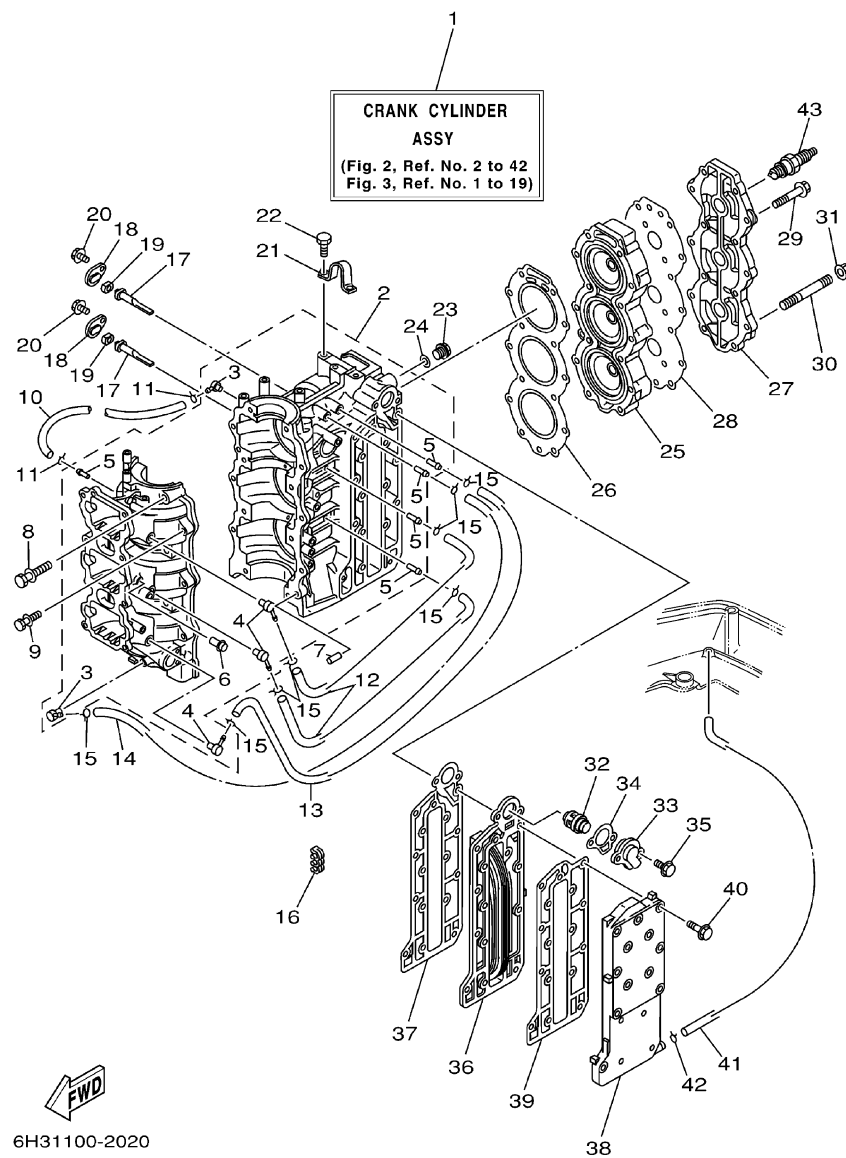
REF. NO.	PART NO.	DESCRIPTION	60ET	6ETO	7ETO	REMARKS
1	6H3-42610-60-4D	TOP COWLING ASSY			1	
	6H2-42610-90-4D	TOP COWLING ASSY		1		
	6H2-42610-50-4D	TOP COWLING ASSY	1			
2	63D-2177H-00	.DISK CAP 2		1	1	
3	6H3-42647-00-94	.HOLDER, CLAMP BAND	1	1	1	
4	6H3-42649-00-94	.HOLDER, CLAMP BAND	1	1	1	
5	663-42662-00	.DAMPER	3	3	3	
6	6H3-42652-00	.HOOK	2	2	2	
7	97095-06016	.BOLT	2	2	2	
8	92995-06100	.WASHER, SPRING	2	2	2	
9	92995-06600	.WASHER	2	2	2	
10	90266-06009	.RIVET	6	6	6	
11	6H3-42613-01-4D	.MOLDING, AIR DUCT	1	1	1	
12	97095-06016	.BOLT	4	4	4	
13	92995-06600	.WASHER	4	4	4	
14	6H3-42615-00	.SEAL	1	1	1	
15	6H3-42677-60	.GRAPHIC, FRONT			1	
	6H2-42677-60	.GRAPHIC, FRONT		1		
	6H2-42677-50	.GRAPHIC, FRONT	1			
16	6H3-42678-50	.GRAPHIC, REAR			1	
	6H2-42678-50	.GRAPHIC, REAR		1		
	6H2-42678-30	.GRAPHIC, REAR	1			
17	6H3-W0070-50	.GRAPHIC SET		1	1	
	6H3-W0070-30	.GRAPHIC SET	1			
18	6H3-13436-40	.MARK		1	1	
19	6H3-42617-10	.DAMPÉR, FORM		1	1	
	6H3-42617-00	.DAMPER, FORM	1			

FIG. 1 TOP COWLING



REF. NO.	PART NO.	DESCRIPTION	60ET	6ETO	7ETO	REMARKS
20	6H3-42619-00	.DAMPER, FORM	1	1	1	
21	6H3-42627-00	.DAMPER, FORM	1	1	1	
22	6H3-42637-00	.DAMPER, FORM	1	1	1	
23	6H1-42694-00	.BAND		1	1	
24	6H3-21732-00	.SEAL 1		1	1	
25	6H3-21735-00	.SEAL 2		1	1	
26	90338-05M03	.PLUG		1	1	
27	90183-05M06	.NUT, SPRING		1	1	
28	6H3-42681-50	.MARK, COWLING		1	1	
	6H3-42681-30	.MARK, COWLING	1			
29	6H3-42682-50	.MARK, COWLING		1	1	
	6H3-42682-30	.MARK, COWLING	1	1		

6H31700-2010



6H31100-2020

FIG. 2 CYLINDER. CRANKCASE

REF. NO.	PART NO.	DESCRIPTION	60ET	6ETO	7ETO	REMARKS
1	6H3-W0090-43-1S	CRANK CYLINDER ASSY		1	1	
	6H3-W0090-31-1S	CRANK CYLINDER ASSY	1			N.O/I-M/CHOKE
2	6H3-15100-14-1S	CRANKCASE ASSY		1	1	
	6B0-15100-02-1S	CRANKCASE ASSY	1			N.O/I-M/CHOKE
3	688-11370-00	.CHECK VALVE ASSY	2	2	2	
4	650-11370-00	.CHECK VALVE ASSY	3	3	3	
5	624-14485-00	.PIPE, JOINT	5	5	5	
6	650-24378-00	.PIPE, JOINT 4		1	1	
7	93608-12063	PIN, DOWEL	2	2	2	
8	90119-10005	BOLT, WITH WASHER	8	8	8	
9	90119-08M64	BOLT, WITH WASHER	6	6	6	
10	90445-07M44	HOSE (L250)	1	1	1	
11	90467-06016	CLIP	2	2	2	
12	90445-07M02	HOSE (L167)	2	2	2	
13	90445-07M45	HOSE (L340)	1	1	1	
14	90445-07M82	HOSE (L440)	1	1	1	
15	90467-06016	CLIP	8	8	8	
16	90464-07M05	CLAMP	1	1	1	
17	6H3-11325-01	ANODE	2	2	2	
18	6H3-11327-00-1S	COVER, ANODE	2	2	2	
19	6H3-11328-00	GROMMET, ANODE	2	2	2	
20	90119-06023	BOLT, WITH WASHER	2	2	2	
21	688-11119-01	HANGER, ENGINE	1	1	1	
22	90101-08002	BOLT	2	2	2	
23	90340-14M00	PLUG, STRAIGHT SCREW	1	1	1	
24	90430-14115	GASKET	1	1	1	
25	6H3-11111-01-1S	HEAD, CYLINDER 1	1	1	1	

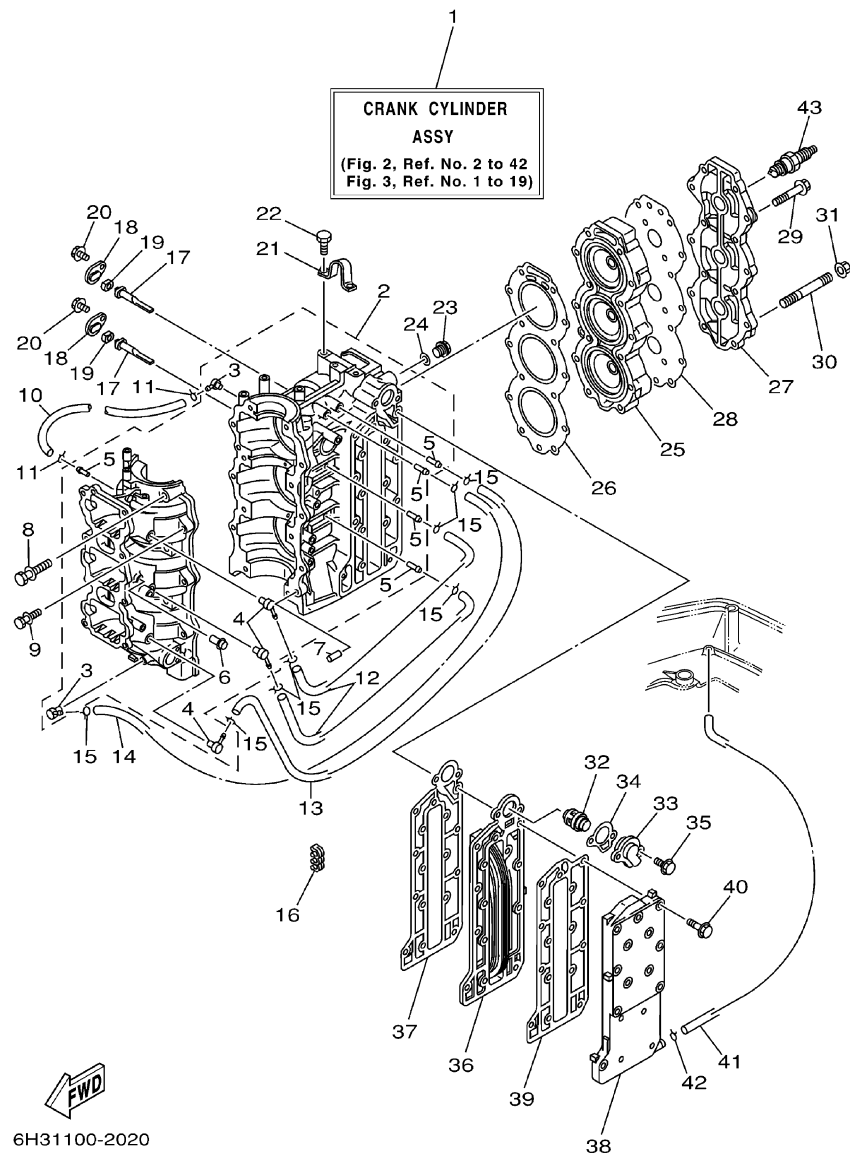


FIG. 2 CYLINDER. CRANKCASE

REF. NO.	PART NO.	DESCRIPTION	60ET	6ETO	7ETO	REMARKS
26	6H3-11181-A1	GASKET, CYLINDER HEAD 1	1	1	1	
27	6H3-11191-00-1S	COVER, CYLINDER HEAD 1	1	1	1	
28	6H3-11193-A1	GASKET, HEAD COVER 1	1	1	1	
29	90119-08MA5	BOLT, WITH WASHER	13	13	13	
30	90116-08M69	BOLT, STUD	1	1	1	
31	90179-08M34	NUT	1	1	1	
32	6H3-12411-10	THERMOSTAT	1	1	1	
33	6H3-12413-00-1S	COVER, THERMOSTAT	1	1	1	
34	6H3-12414-A1	GASKET, COVER	1	1	1	
35	90119-06MA3	BOLT, WITH WASHER	2	2	2	
36	6H3-41111-01-1S	INNER COVER, EXHAUST	1	1	1	
37	6H3-41112-A0	GASKET, EXHAUST INNER COVER	1	1	1	
38	6H3-41113-02-1S	OUTER COVER, EXHAUST	1	1	1	
39	6H3-41114-A0	GASKET, EXHAUST OUTER COVER	1	1	1	
40	90119-06MA5	BOLT, WITH WASHER	16	16	16	
41	663-24312-01	PIPE 2	1	1	1	
42	90467-08004	CLIP	1	1	1	
43	94702-00247	PLUG, SPARK (NGK BR8HS-10)	3	3	3	

6H31100-2020

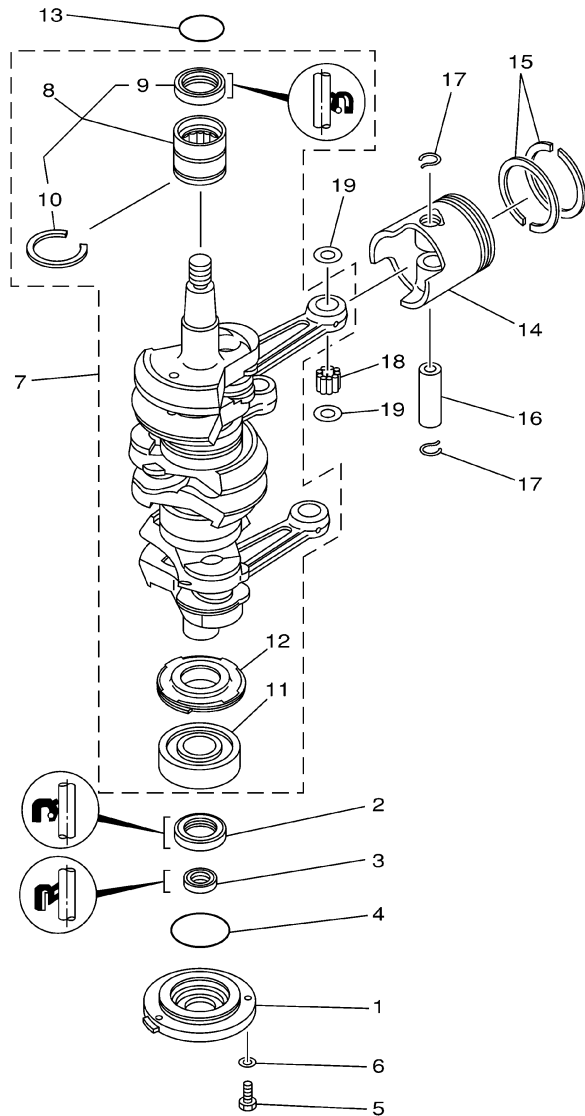


FIG. 3 CRANKSHAFT. PISTON

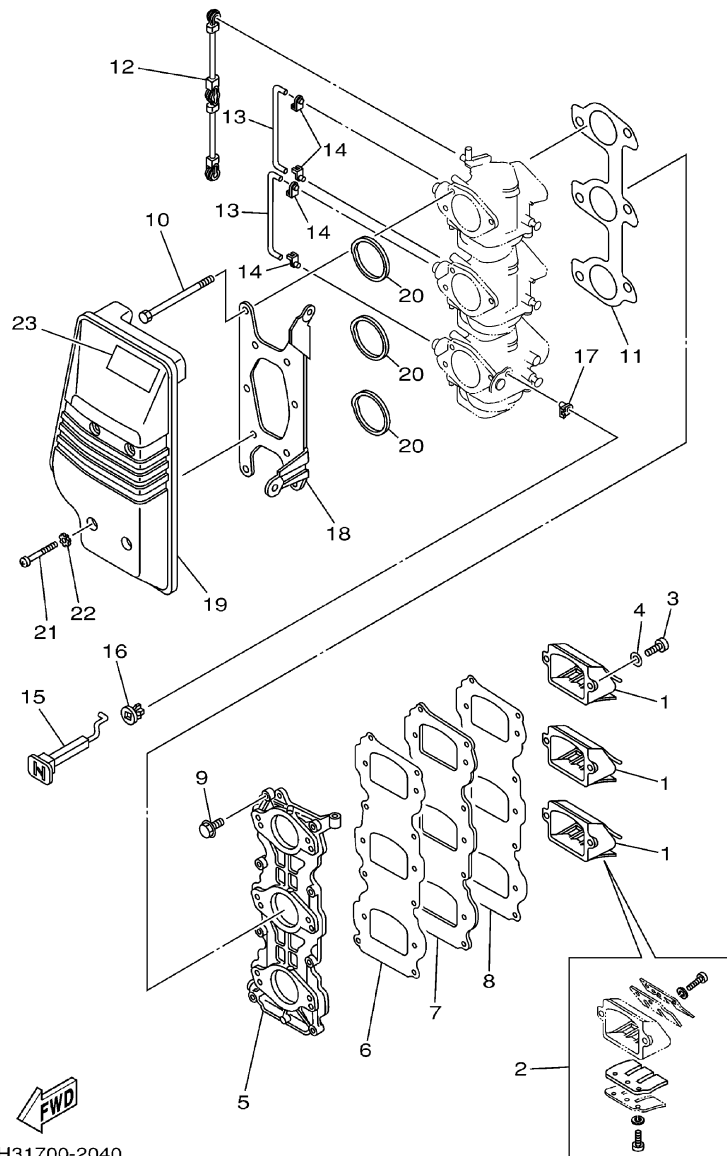
REF. NO.	PART NO.	DESCRIPTION	60ET	6ETO	7ETO	REMARKS
1	6H3-15359-00-94	HOUSING, OIL SEAL	1	1	1	
2	93102-30M23	OIL SEAL	1	1	1	
3	93106-18M01	OIL SEAL	1	1	1	
4	93210-65M50	O-RING	1	1	1	
5	97095-06020	BOLT	3	3	3	
6	92995-06600	WASHER	3	3	3	
7	6H3-11400-11	CRANKSHAFT ASSY		1	1	
	6H3-11400-03	CRANKSHAFT ASSY	1			
8	93311-636U6	.BEARING	1	1	1	
9	93102-36M24	..OIL SEAL	1	1	1	
10	93440-49M04	..CIRCLIP	1	1	1	
11	93306-306V1	.BEARING	1	1	1	
12	6H3-11536-00	.GEAR, DRIVE		1	1	
13	93210-46M16	O-RING	1	1	1	
14	6H3-11631-01-96	PISTON (STD)	3	3	3	
	6H3-11635-01	PISTON (0.25MM O/S)	3	3	3	AP
	6H3-11636-01	PISTON (0.50MM O/S)	3	3	3	AP
15	6K5-11601-02	PISTON RING SET (STD)	3	3	3	
	6K5-11601-12	PISTON RING SET (0.25MM O/S)	3	3	3	AP
	6K5-11601-22	PISTON RING SET (0.50MM O/S)	3	3	3	AP
16	6H3-11633-00	PIN, PISTON	3	3	3	
17	688-11634-10	CLIP, PISTON PIN	6	6	6	
18	93603-18M09	PIN, DOWEL	84	84	84	
19	90201-20417	WASHER, PLATE	6	6	6	



6H30010-9030

B1

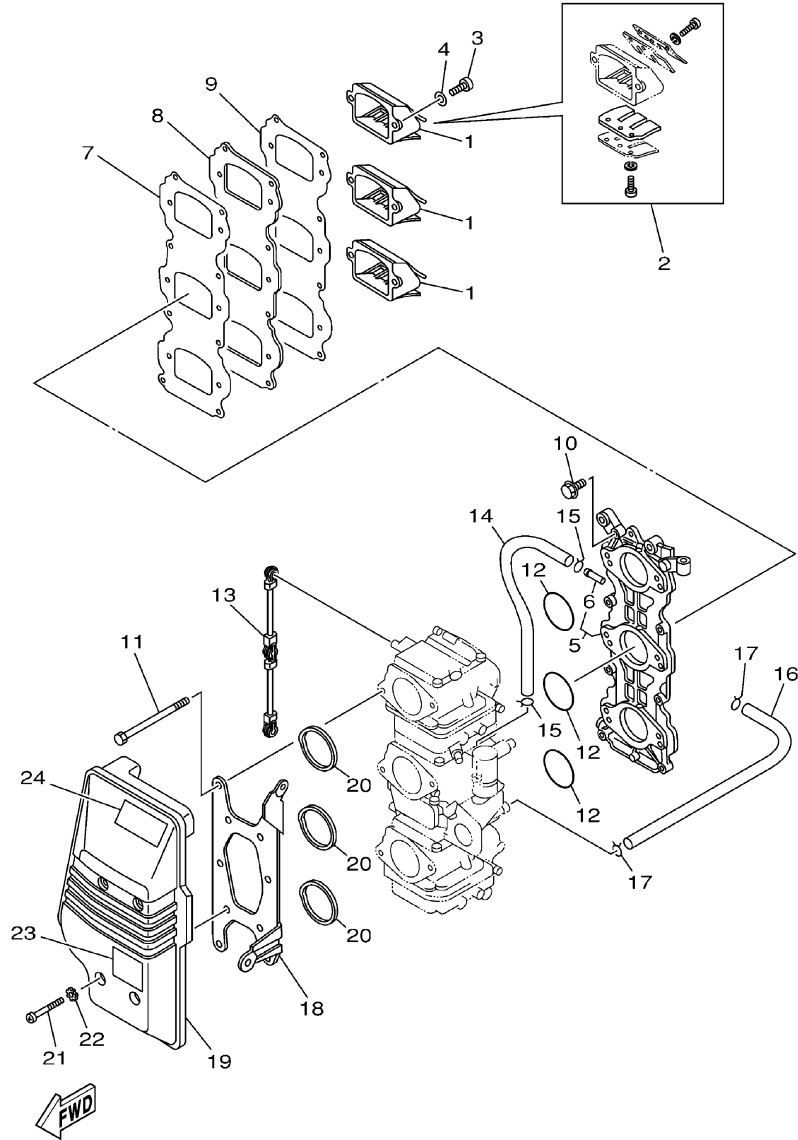
FIG. 4 INTAKE 1



6H31700-2040

REF. NO.	PART NO.	DESCRIPTION	60ET	6ETO	7ETO	REMARKS
1	6H2-13610-00	REED VALVE ASSY	3			
2	688-W0004-00	.REED SET	1			
3	97880-05016	SCREW, PAN HEAD	6			
4	92990-05600	WASHER, PLATE	6			
5	6H3-13641-03-94	MANIFOLD 1	1			
6	6H3-13621-A1	GASKET, VALVE SEAT	1			
7	6H3-13624-00-94	PLATE, REED VALVE	1			
8	6H3-13622-A1	GASKET, VALVE SEAT	1			
9	90119-06MA3	BOLT, WITH WASHER	8			
10	97095-06095	BOLT	6			
11	6H3-14198-A1	GASKET	1			
12	6H3-41217-00	ROD, ACCEL. LEVER	1			
13	6H3-41257-00	ROD, CHOKE 2	2			
14	661-41262-02	JOINT, CHOKE LEVER	4			
15	6H3-41271-00	KNOB, CHOKE	1			
16	689-41273-00	GROMMET	1			
17	661-41262-02	JOINT, CHOKE LEVER	1			
18	6H3-14413-10	STAY	1			
19	6H3-14440-02	SILENCER ASSY, INTAKE	1			
20	6H3-14457-01	SEAL	3			
21	97885-06045	SCREW, PAN HEAD	4			
22	90209-06M05	WASHER	4			
23	6A1-83625-41	MARK 5	1			

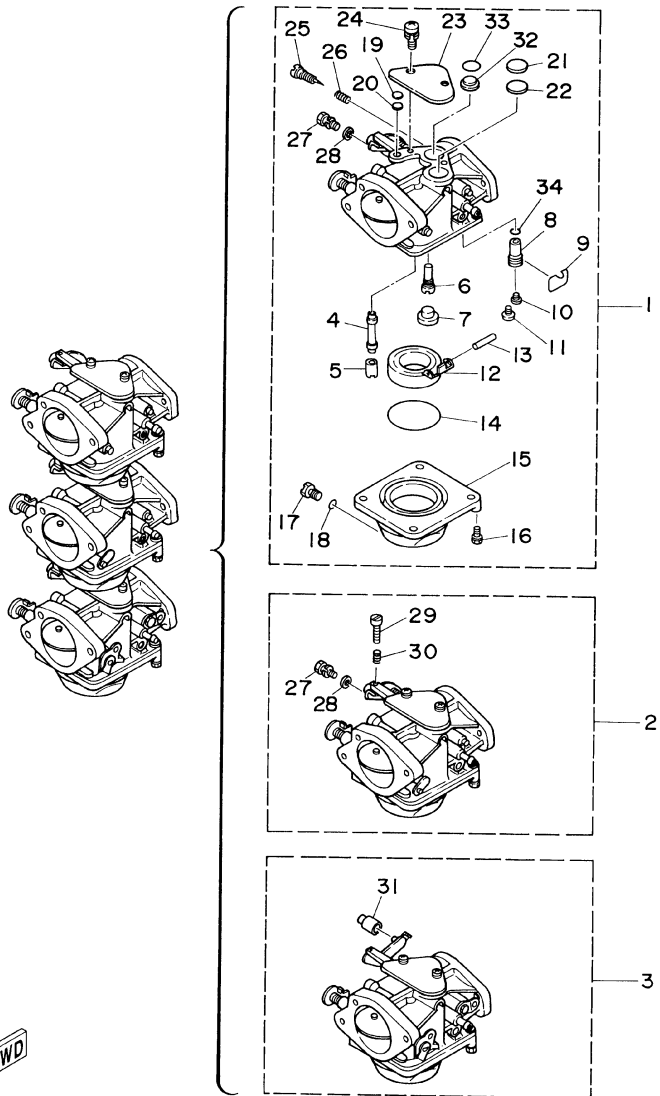
FIG. 5 INTAKE 2



6H31700-2050

REF. NO.	PART NO.	DESCRIPTION	60ET	6ET0	7ET0	REMARKS
1	6H3-13610-00	REED VALVE ASSY			3	
	6H2-13610-00	REED VALVE ASSY		3		
2	688-W0004-00	.REED SET		1	1	
3	97880-05016	SCREW, PAN HEAD		6	6	
4	92990-05600	WASHER, PLATE		6	6	
5	6H3-13641-13-94	MANIFOLD 1		1	1	
6	6H1-14485-00	.PIPE, JOINT		4	4	
7	6H3-13621-A1	GASKET, VALVE SEAT		1	1	
8	6H3-13624-00-94	PLATE, REED VALVE		1	1	
9	6H3-13622-A1	GASKET, VALVE SEAT		1	1	
10	90119-06MA3	BOLT, WITH WASHER		8	8	
11	97095-06095	BOLT		6	6	
12	93210-39ME4	O-RING		3	3	
13	6H3-41217-00	ROD, ACCEL. LEVER		1	1	
14	90445-07255	HOSE (L160)		1	1	
15	90467-06016	CLIP		2	2	
16	6H3-14349-00	PIPE		1	1	
17	90467-08004	CLIP		2	2	
18	6H3-14413-10	STAY		1	1	
19	6H3-14440-02	SILENCER ASSY, INTAKE		1	1	
20	6H3-14457-01	SEAL		3	3	
21	97885-06045	SCREW, PAN HEAD		4	4	
22	90209-06M05	WASHER		4	4	
23	6H1-85711-60	MARK, CAUTION		1	1	
24	6A1-83625-41	MARK 5		1	1	

FIG. 6 CARBURETOR 1

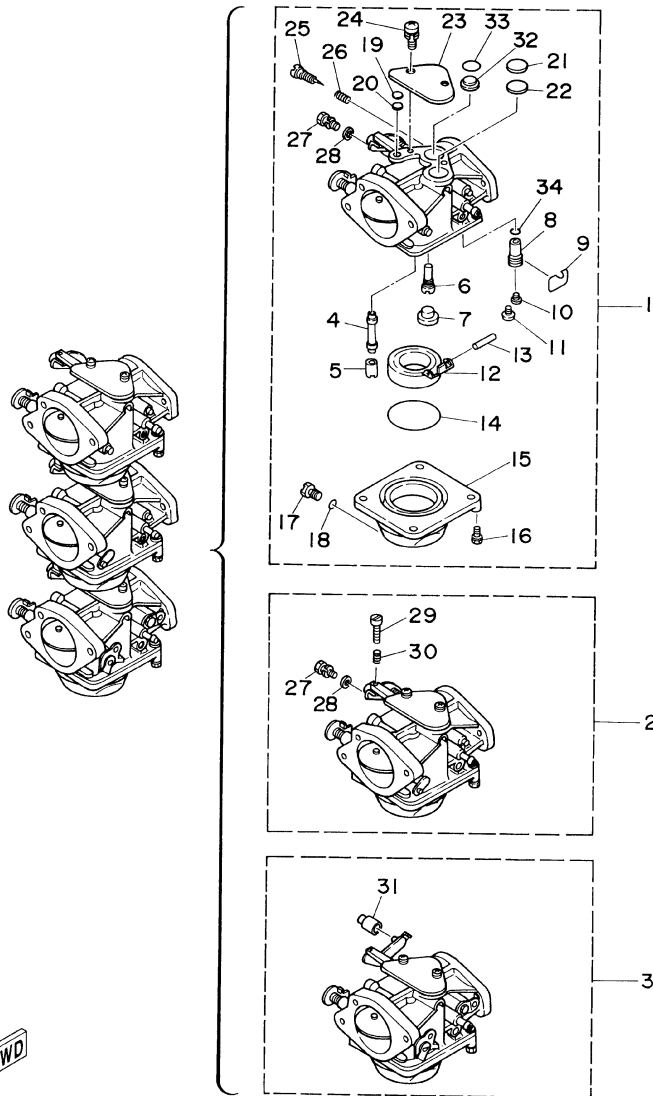


REF. NO.	PART NO.	DESCRIPTION	60ET	6ETO	7ETO	REMARKS
1	6H2-14301-10	CARBURETOR ASSY 1	1			
2	6H2-14302-10	CARBURETOR ASSY 2	1			
3	6H2-14303-10	CARBURETOR ASSY 3	1			
4	6H3-14947-07	.JET, NEEDLE	3			
5	676-14943-35	.JET, MAIN (#140)	2			#1,2
	676-14943-36	.JET, MAIN (#145)	1			#3
6	6H3-14948-16	.JET (#72)	3			
7	676-14966-00	.CAP	3			
8	6H3-14590-00	.NEEDLE VALVE ASSY	3			
9	663-14159-00	.CLIP	3			
10	676-14186-00	.PIN, FLOAT	3			
11	98502-04008	.SCREW, PAN HEAD	3			
12	6G1-14985-00	.FLOAT	3			
13	688-14548-00	.PIN, FLOAT ARM	3			
14	6G1-14984-00	.O-RING	3			
15	6H2-14980-00	.BODY, FLOAT CHAMBER	3			
16	97980-04114	.SCREW, WITH WASHER	12			
17	6H3-14992-00	.SCREW, DRAIN	3			
18	93210-04230	.O-RING	3			
19	663-14126-00	.GASKET	3			
20	663-14527-00	.PLATE	3			
21	688-14126-00	.GASKET	3			
22	688-14527-00	.PLATE	3			
23	6H2-14527-01	.PLATE	3			
24	97980-05310	.SCREW, WITH WASHER	6			
25	692-14923-00	.SCREW, PILOT	3			
26	679-14555-00	.SPRING	3			

6H20010-6050

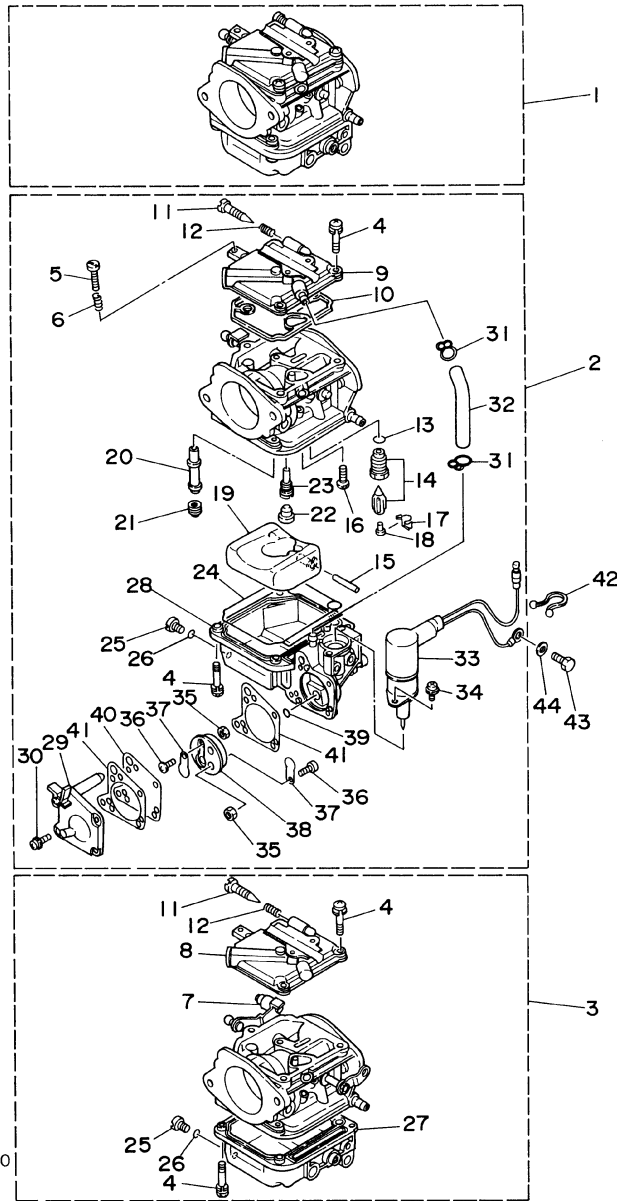
FIG. 6 CARBURETOR 1

REF. NO.	PART NO.	DESCRIPTION	60ET	6ETO	7ETO	REMARKS
27	6K5-14592-00	.SCREW	2			#1,2
28	90201-05652	.WASHER, PLATE	2			#1,2
29	63V-14523-00	.SCREW, STOP	1			#2
30	90501-10326	.SPRING, COMPRESSION	1			#2
31	6H3-17578-00	.COLLAR	1			#3
32	6H3-14578-00	.PLATE	3			
33	93210-15M52	.O-RING	3			
34	93210-04228	.O-RING	3			



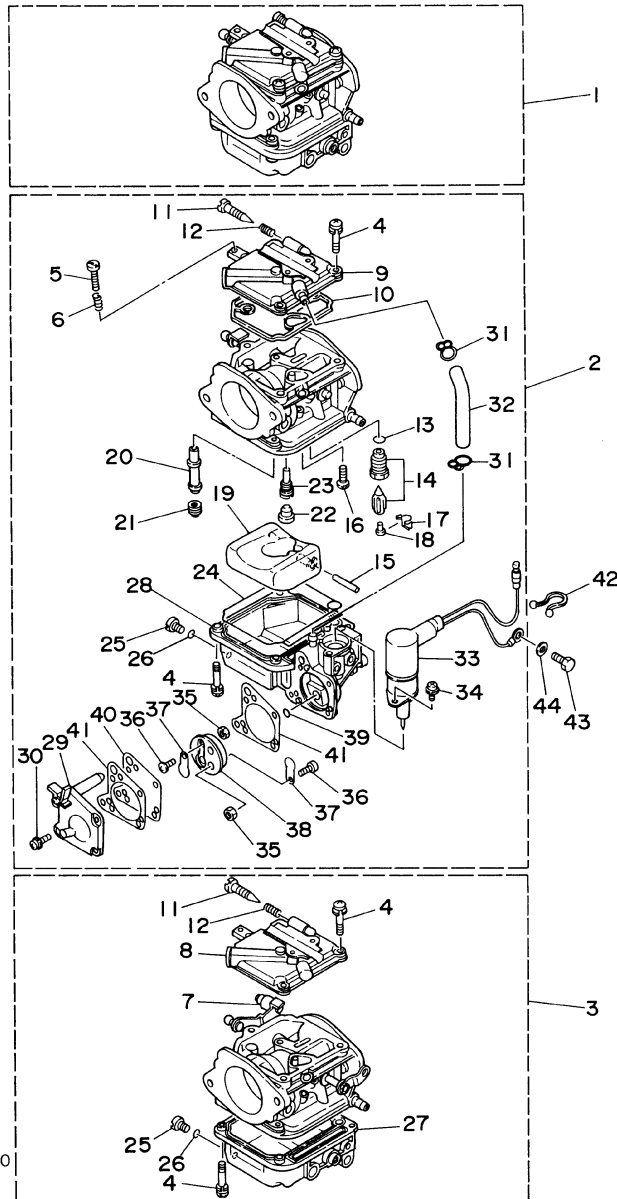
6H20010-6050

FIG. 7 CARBURETOR 2



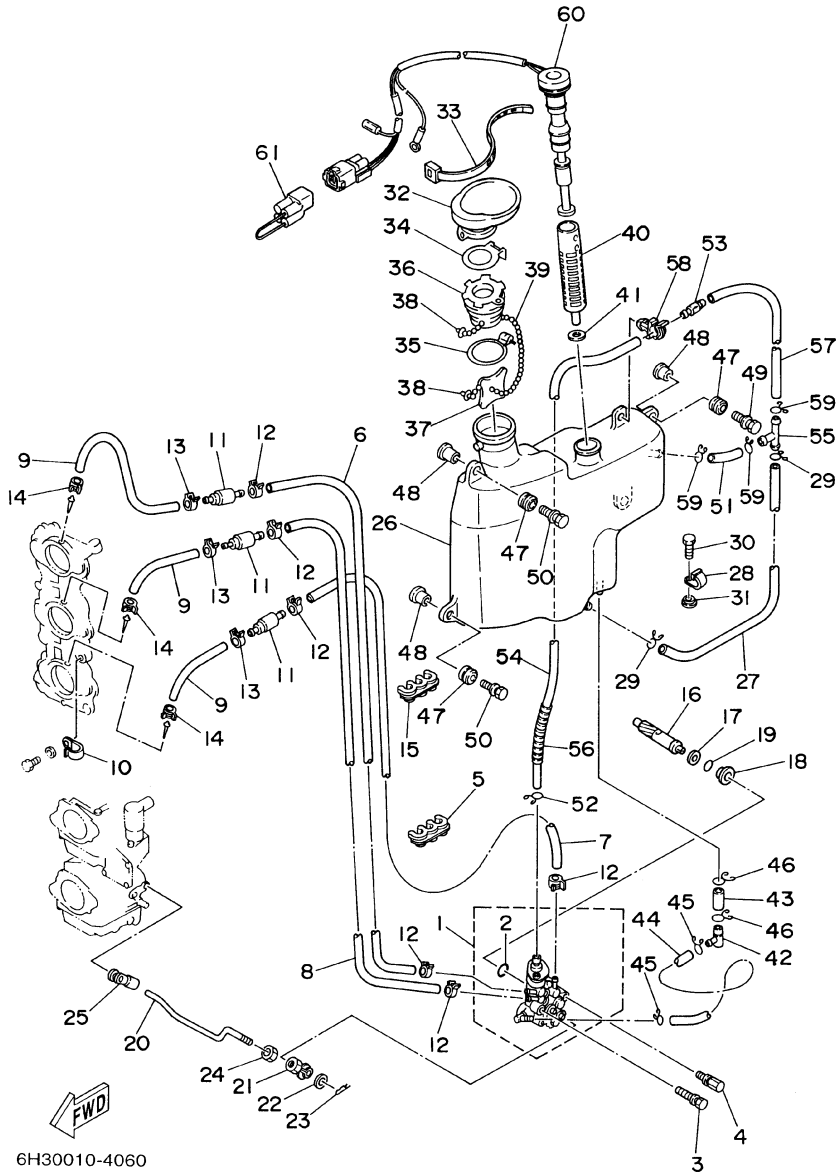
REF. NO.	PART NO.	DESCRIPTION	60ET	6ETO	7ETO	REMARKS
1	6H3-14301-0A	CARBURETOR ASSY 1			1	
	6H2-14301-0A	CARBURETOR ASSY 1		1		
2	6H3-14302-0A	CARBURETOR ASSY 2			1	
	6H2-14302-0A	CARBURETOR ASSY 2		1		
3	6H3-14303-0A	CARBURETOR ASSY 3			1	
	6H2-14303-0A	CARBURETOR ASSY 3		1		
4	97980-04114	.SCREW, WITH WASHER		21	21	
5	63V-14523-00	.SCREW, STOP		1	1	#2
6	90501-10326	.SPRING, COMPRESSION		1	1	#2
7	6H2-14578-00	.COLLAR		1	1	#3
8	6H4-14146-00	.PLATE		2	2	#1,3
9	6H3-14146-10	.PLATE		1	1	#2
10	6H4-14147-00	.O-RING		3	3	
11	692-14923-00	.SCREW, PILOT		3	3	
12	697-14555-00	.SPRING		3	3	
13	93210-04228	.O-RING		3	3	
14	6H3-14590-00	.NEEDLE VALVE ASSY		3	3	
15	6H4-14548-00	.PIN, FLOAT ARM		3	3	
16	98580-04008	.SCREW, PAN HEAD		3	3	
17	663-14159-00	.CLIP		3	3	
18	676-14186-00	.PIN, FLOAT		3	3	
19	6H4-14985-01	.FLOAT		3	3	
20	6H3-14947-71	.JET, NEEDLE			3	
	6H2-14947-71	.JET, NEEDLE		3		
21	6H3-14943-37	.JET, MAIN (#150)			3	
	6H3-14943-35	.JET, MAIN (#140)		2		#1,2
	6H3-14943-36	.JET, MAIN (#145)		1		#3

FIG. 7 CARBURETOR 2



REF. NO.	PART NO.	DESCRIPTION	60ET	6ETO	7ETO	REMARKS
22	676-14966-00	.CAP		3	3	
23	6H3-14948-17	.JET (#75)			3	
	6H3-14948-13	.JET (#65)		3		
24	6H4-14984-00	.GASKET, FLOAT CHAMBER		3	3	
25	6H3-14992-00	.SCREW, DRAIN		3	3	
26	93210-04230	.O-RING		3	3	
27	6H4-14980-00	.BODY, FLOAT CHAMBER		2	2	#1,3
28	6H3-14980-10	.BODY, FLOAT CHAMBER		1	1	#2
29	6H3-24452-10	.COVER		1	1	#2
30	6H4-14567-00	.SCREW		4	4	#2
31	6H3-14137-00	.CLIP		2	2	#2
32	6H3-14349-00	.PIPE		1	1	#2
33	6H3-14380-00	.STARTER ASSY		1	1	#2
34	97803-04010	.SCREW, PAN HEAD		2	2	#2
35	95380-03600	.NUT		2	2	#2
36	98980-03006	.SCREW, BIND		2	2	#2
37	6L5-24421-00	.VALVE, CHECK		2	2	#2
38	6H4-24413-00	.BODY 2		1	1	#2
39	6H4-24486-00	.O-RING		1	1	#2
40	6H3-24411-10	.DIAPHRAGM		1	1	#2
41	6H3-24434-10	.GASKET, BODY		2	2	#2
42	90465-18147	CLAMP		1	1	
43	97013-06012	BOLT		1	1	
44	92903-06600	WASHER, PLATE		1	1	

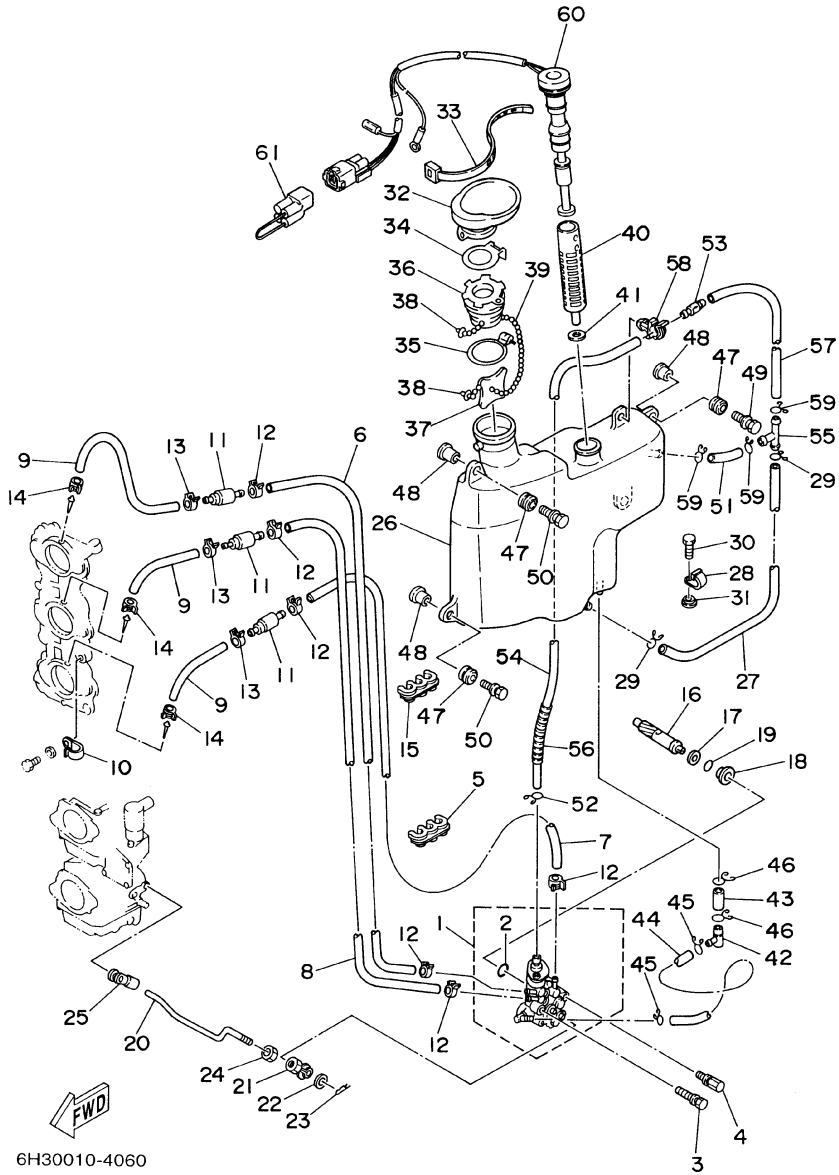
FIG. 8 OIL PUMP



6H30010-4060

REF. NO.	PART NO.	DESCRIPTION	60ET	6ETO	7ETO	REMARKS
1	6H3-13200-02	OIL INJECTION PUMP ASSY		1	1	
2	93210-19MA7	.O-RING		1	1	
3	90109-06M39	BOLT		1	1	
4	90109-06M40	BOLT		1	1	
5	90464-07M05	CLAMP		1	1	
6	90445-07M44	HOSE (L250)		1	1	
7	90445-07M23	HOSE (L408)		1	1	
8	90445-07MA5	HOSE (L150)		1	1	
9	90445-07M87	HOSE (L110)		3	3	
10	90465-06M86	CLAMP		1	1	
11	6E9-13183-70	VALVE, CHECK		3	3	
12	90468-07M02	CLIP		6	6	
13	90468-07M02	CLIP		3	3	
14	90468-07M02	CLIP		3	3	
15	90464-07M05	CLAMP		1	1	
16	6H3-11537-01	GEAR, DRIVEN		1	1	
17	90201-08M93	WASHER, PLATE		1	1	
18	6H1-13117-01	COLLAR, DISTANCE		1	1	
19	93210-13M04	O-RING		1	1	
20	6H3-41241-01	ROD, LINK		1	1	
21	6H1-41237-00	JOINT, LINK		1	1	
22	90202-05088	WASHER, PLATE		1	1	
23	90468-05M03	CLIP		1	1	
24	95380-05600	NUT		1	1	
25	6E9-41237-00	JOINT, LINK		1	1	
26	6H3-21707-06	OIL TANK COMP.		1	1	
27	90445-11M03	HOSE (L330)		1	1	

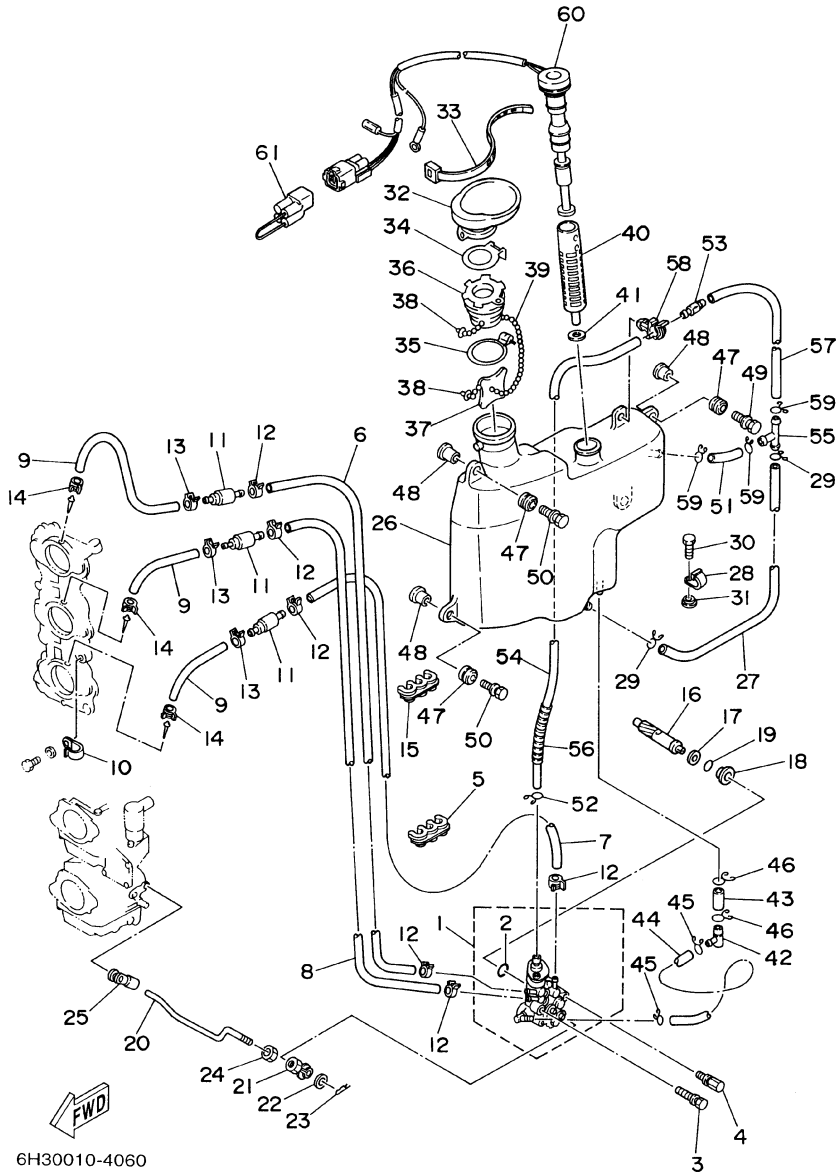
FIG. 8 OIL PUMP



6H30010-4060

REF. NO.	PART NO.	DESCRIPTION	60ET	6ETO	7ETO	REMARKS
28	90465-11M27	CLAMP		1	1	
29	90467-11M08	CLIP		2	2	
30	97095-06016	BOLT		1	1	
31	90387-06M31	COLLAR		1	1	
32	6H3-21752-00	TUBE, FILLER 1		1	1	
33	90465-13M30	CLAMP		1	1	
34	63D-2176M-00	HOOK		1	1	
35	63D-2175R-00	HOOK, BAND		1	1	
36	6H4-21770-00	OIL TANK CAP ASSY		1	1	
37	6J8-21758-00	WASHER, SPECIAL 2		1	1	
38	6H1-21757-00	WASHER, SPECIAL 1		2	2	
39	6H1-24633-00	CHAIN, BALL		1	1	
40	6J8-13411-00	STRAINER, OIL		1	1	
41	6J8-13414-00	GASKET, STRAINER COVER		1	1	
42	6H1-13435-00	NIPPLE		1	1	
43	90445-08M01	HOSE (L30)		1	1	
44	6H1-21766-01	PIPE, OIL		1	1	
45	90467-08004	CLIP		2	2	
46	90467-12M11	CLIP		2	2	
47	6A0-82317-00	DAMPER, IGNITION COIL		4	4	
48	624-42542-00	PIPE		4	4	
49	90119-06M65	BOLT, WITH WASHER		2	2	
50	90119-06M88	BOLT, WITH WASHER		2	2	
51	90445-11M21	HOSE (L40)		1	1	
52	90467-10M04	CLIP		1	1	
53	6J8-21744-00	BREATHER		1	1	
54	90445-11M15	HOSE (L360)		1	1	

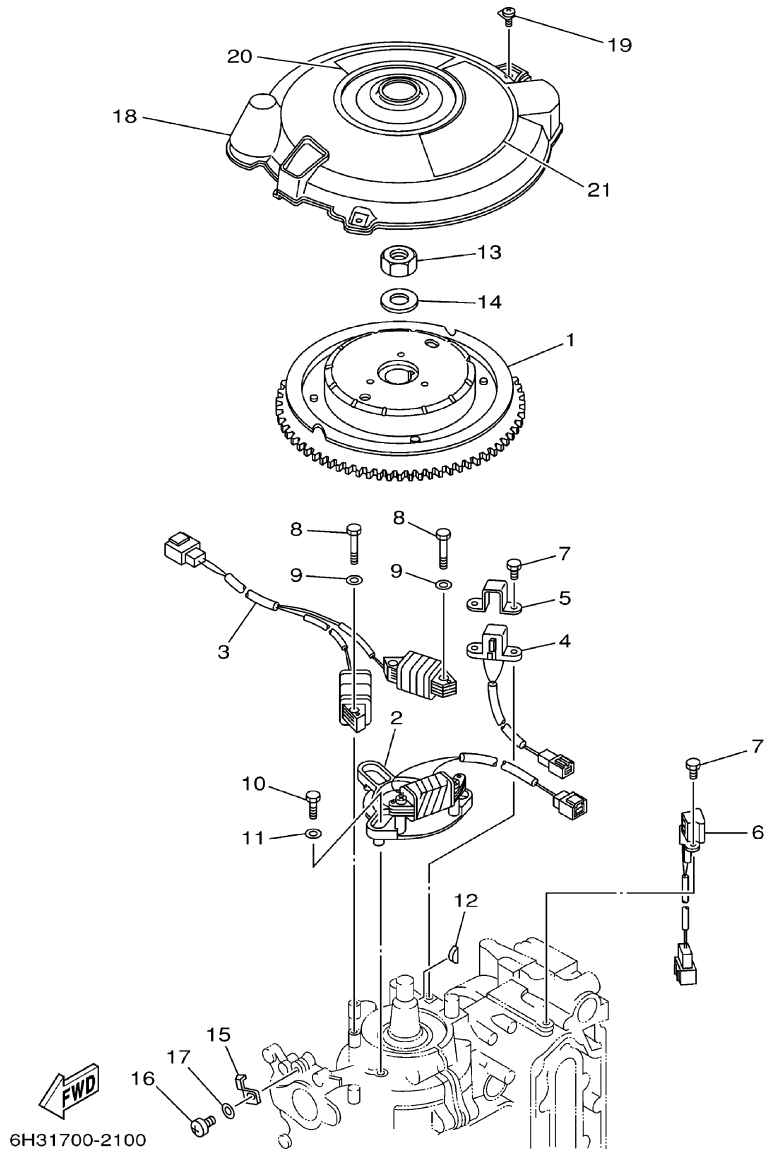
FIG. 8 OIL PUMP



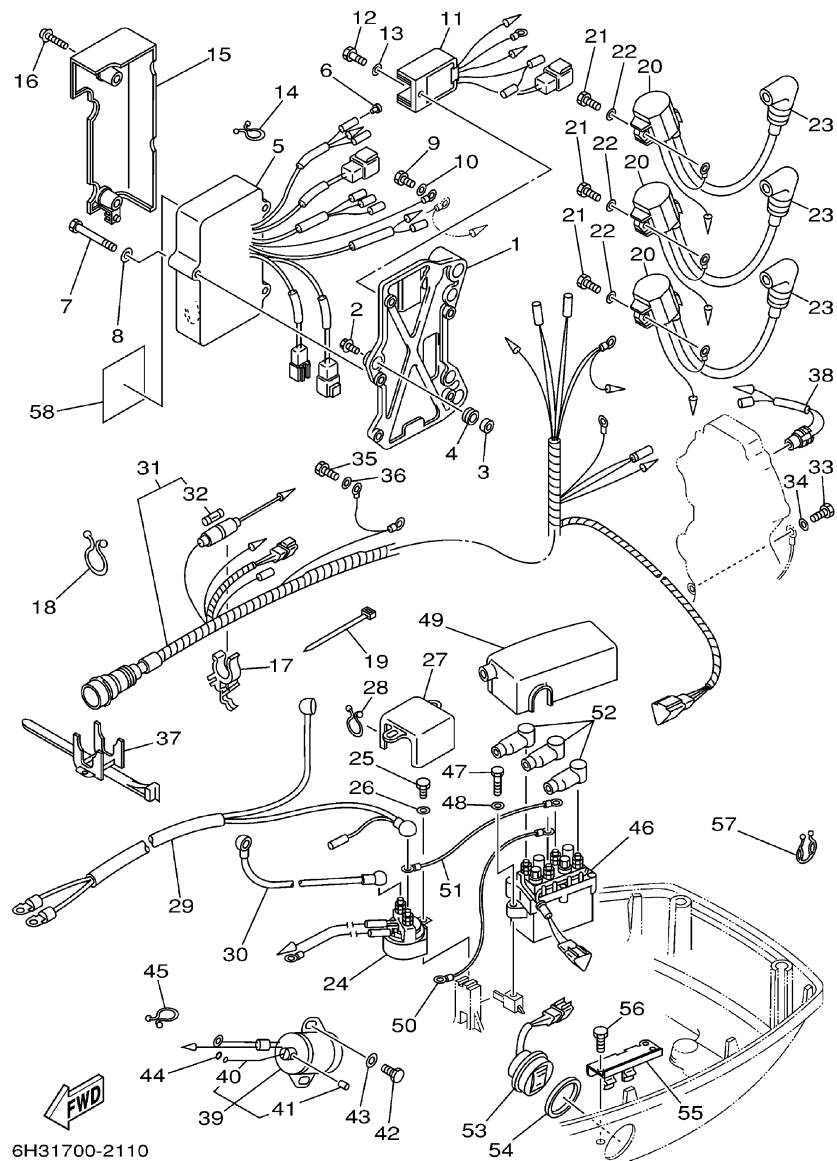
6H30010-4060

REF. NO.	PART NO.	DESCRIPTION	60ET	6ETO	7ETO	REMARKS
55	6E5-24378-00	PIPE, JOINT 3		1	1	
56	90446-10M01	HOSE		1	1	
57	90445-11M02	HOSE (L100)		1	1	
58	90464-11M23	CLAMP		1	1	
59	90467-11M08	CLIP		3	3	
60	6H3-85720-16	OIL LEVEL GAUGE ASSY		1	1	
61	6R5-82582-B0	COVER, WIRE HARNESS		1	1	AP

FIG. 10 GENERATOR



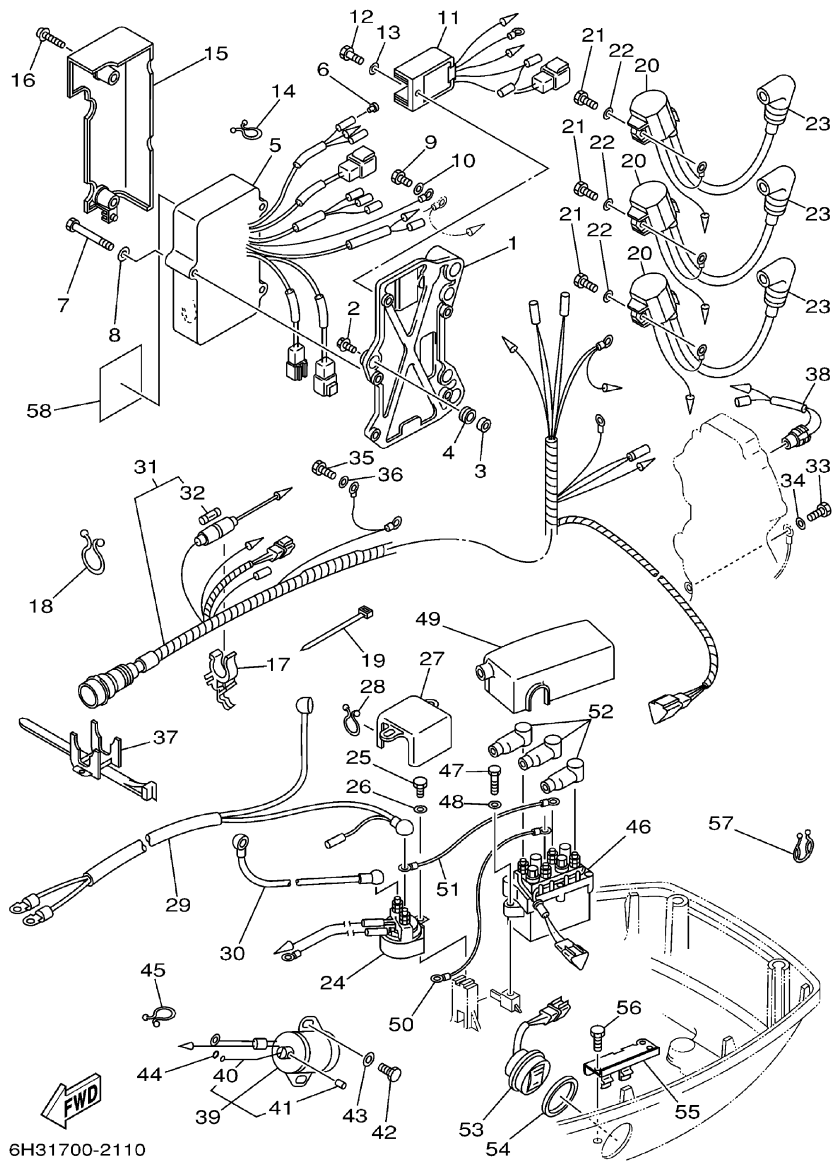
REF. NO.	PART NO.	DESCRIPTION	60ET	6ETO	7ETO	REMARKS
1	6H2-85550-00	ROTOR ASSY	1	1	1	
2	6H2-85520-01	COIL, CHARGE	1	1	1	
3	6H2-85533-01	COIL, LIGHTING	1	1	1	
4	6H2-85580-01	COIL, PULSER	1	1	1	
5	6H2-85582-00	ATTACHMENT, PULSER	1	1	1	
6	6H2-85895-01	CRANK POSITION SENDER	1	1	1	
7	97095-05012	BOLT	4	4	4	
8	97095-06035	BOLT	4	4	4	
9	92995-06600	WASHER	4	4	4	
10	97095-06025	BOLT	3	3	3	
11	92995-06600	WASHER	3	3	3	
12	90280-05015	KEY, WOODRUFF	1	1	1	
13	90170-20137	NUT	1	1	1	
14	90201-21M18	WASHER, PLATE	1	1	1	
15	6E5-81332-00	PLATE, TIMING	1	1	1	
16	97885-06010	SCREW, PAN HEAD	1	1	1	
17	92995-06600	WASHER	1	1	1	
18	6H3-81337-01	COVER, FLYWHEEL	1	1	1	
19	90159-06M23	SCREW, WITH WASHER	3	3	3	
20	6H3-14488-00	LABEL, CAUTION	1	1	1	
21	6H3-13437-21	MARK, CAUTION		1	1	



6H31700-2110

FIG. 11 ELECTRICAL

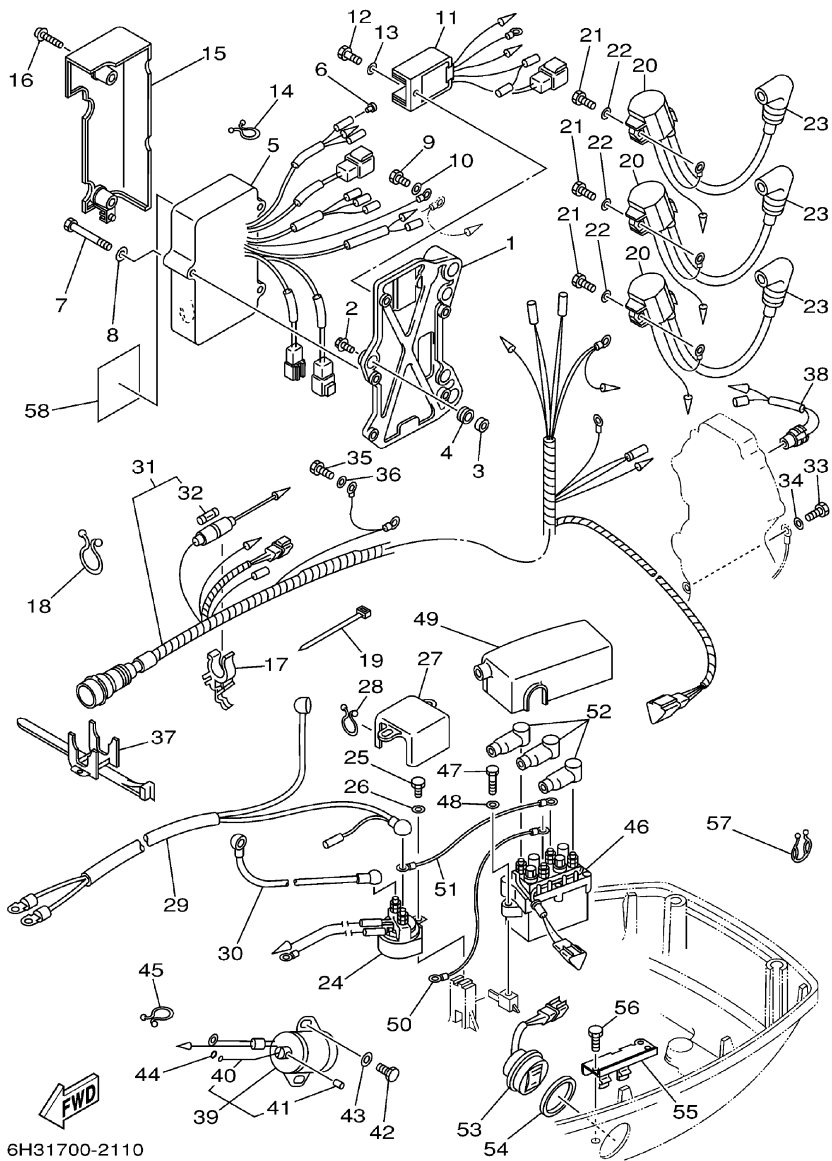
REF. NO.	PART NO.	DESCRIPTION	60ET	6ETO	7ETO	REMARKS
1	6H3-85542-11-94	BRACKET	1	1	1	
2	90105-06M14	BOLT FLANGE	3	3	3	
3	90387-06M43	COLLAR	3	3	3	
4	90480-13M54	GROMMET	3	3	3	
5	6H2-85540-10	C.D.I. UNIT ASSY	1	1	1	
6	703-82119-00	COVER, LEAD WIRE	1	1	1	
7	97095-06045	BOLT	3	3	3	
8	92995-06600	WASHER	3	3	3	
9	97013-06012	BOLT	1	1	1	
10	92903-06600	WASHER, PLATE	1	1	1	
11	6H2-81960-10	RECTIFIER & REGULATOR ASSY	1	1	1	
12	97095-06016	BOLT	1	1	1	
13	92995-06600	WASHER	1	1	1	
14	90464-05M16	CLAMP	1	1	1	
15	6H3-81916-10	COVER, TERMINAL	1	1	1	
16	90159-06M01	SCREW, WITH WASHER	2	2	2	
17	6G5-82152-00	HOLDER, FUSE	1	1	1	
18	90464-23M22	CLAMP	1	1	1	
19	90465-13M11	CLAMP	1	1	1	
20	697-85570-00	IGNITION COIL ASSY	3	3	3	
21	97013-06020	BOLT	3	3	3	
22	92903-06600	WASHER, PLATE	3	3	3	
23	6G1-82370-21	PLUG CAP ASSY	3	3	3	
24	688-81950-10	RELAY ASSY	1	1	1	
25	97013-06016	BOLT	1	1	1	
26	92903-06600	WASHER, PLATE	1	1	1	
27	6H3-82164-00	CASE 2	1	1	1	



6H31700-2110

FIG. 11 ELECTRICAL

REF. NO.	PART NO.	DESCRIPTION	60ET	6ETO	7ETO	REMARKS
28	90464-15M11	CLAMP	1	1	1	
29	6H3-82105-01	WIRE HARNESS	1	1	1	
30	6H3-82117-00	WIRE, LEAD	1	1	1	
31	6H2-82590-13	WIRE HARNESS ASSY		1	1	
	6H2-82590-60	WIRE HARNESS ASSY	1			
32	663-82151-00	.FUSE (12V-20A)	1	1	1	
33	97013-06012	BOLT	1	1	1	
34	92903-06600	WASHER, PLATE	1	1	1	
35	97013-06012	BOLT	2	2	2	
36	92903-06600	WASHER, PLATE	2	2	2	
37	688-82594-00	CLAMP	1	1	1	
38	688-82560-10	THERMO SWITCH ASSY	1	1	1	
39	6H3-86110-02	SOLENOID	1			
40	6H3-86116-00	.WIRE, PULL	1			
41	91690-30010	.PIN, SPRING	1			
42	97013-06016	BOLT	2			
43	92903-06600	WASHER, PLATE	2			
44	93210-03261	O-RING	1			
45	90465-18147	CLAMP	1			
46	61A-81950-00	RELAY ASSY	1	1	1	
47	97095-06025	BOLT	2	2	2	
48	92995-06600	WASHER	2	2	2	
49	6H3-82154-11	CASE	1	1	1	
50	6H2-81949-11	WIRE, LEAD	1	1	1	
51	6H2-81949-01	WIRE, LEAD	1	1	1	
52	682-82119-01	COVER, LEAD WIRE	3	3	3	
53	6H1-82563-10	TRIM & TILT SWITCH ASSY		1	1	

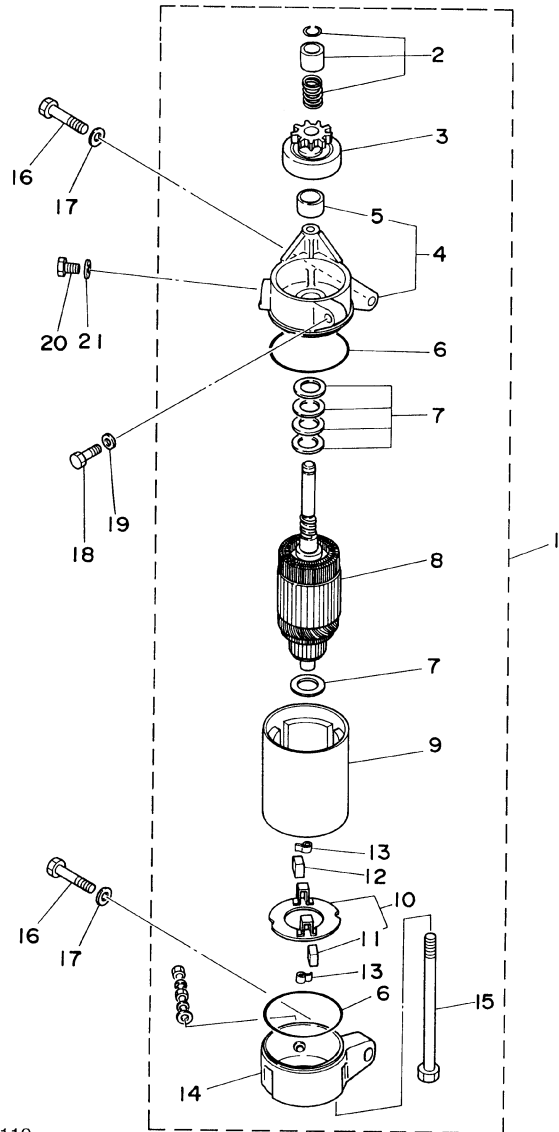


6H31700-2110

FIG. 11 ELECTRICAL

REF. NO.	PART NO.	DESCRIPTION	60ET	6ETO	7ETO	REMARKS
54	6E5-82587-00	GASKET		1	1	
55	6E5-83614-01	BRACKET		1	1	
56	97095-06016	BOLT		1	1	
57	90464-18M14	CLAMP		1	1	
58	6R5-85711-60	MARK, CAUTION	1	1	1	

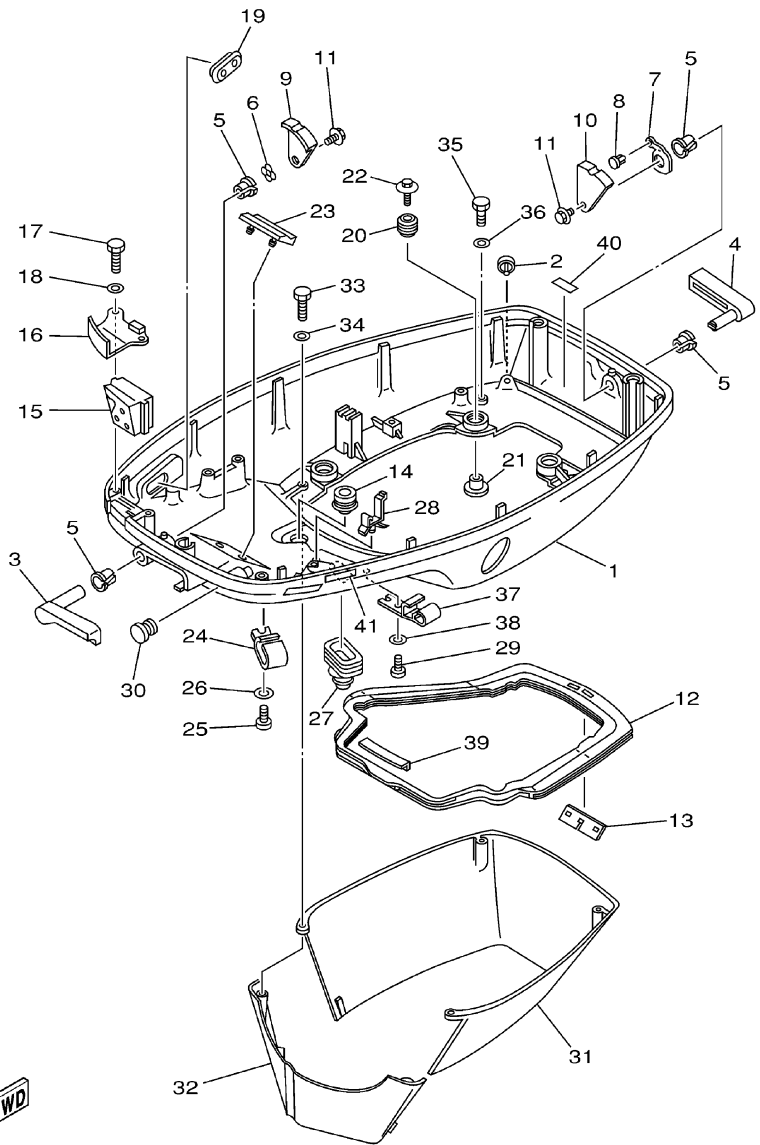
FIG. 12 STARTING MOTOR



6H30010-4110

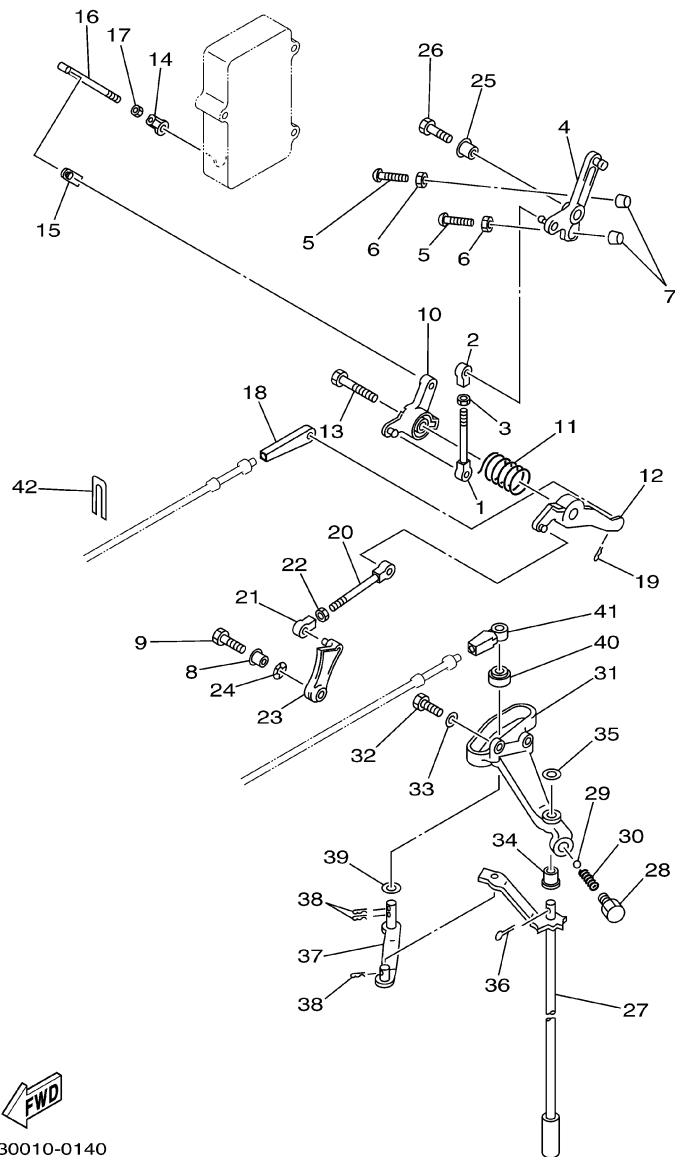
REF. NO.	PART NO.	DESCRIPTION	60ET	6ETO	7ETO	REMARKS
1	6H3-81800-11	STARTING MOTOR ASSY	1	1	1	
2	689-81857-11	.PINION STOPPER SET	1	1	1	
3	6H3-81807-10	.GEAR ASSY, STARTING MOTOR	1	1	1	
4	6H3-81830-10	.FRONT BRACKET ASSY	1	1	1	
5	689-81831-00	..METAL, FRONT	1	1	1	
6	689-81847-11	.O-RING	2	2	2	
7	689-81809-11	.WASHER KIT	1	1	1	
8	689-81850-12	.ARMATURE ASSY	1	1	1	
9	6H3-81810-10	.STATOR ASSY	1	1	1	
10	689-81840-11	.BRUSH HOLDER ASSY	1	1	1	
11	689-81812-11	..BRUSH 2	1	1	1	
12	689-81811-11	.BRUSH 1	1	1	1	
13	689-81813-10	.SPRING, BRUSH	2	2	2	
14	6H3-81820-11	.REAR BRACKET ASSY	1	1	1	
15	689-81826-10	.BOLT	2	2	2	
16	97013-08035	BOLT	2	2	2	
17	92903-08600	WASHER, PLATE	2	2	2	
18	97013-06025	BOLT	1	1	1	
19	92903-06600	WASHER, PLATE	1	1	1	
20	97013-08016	BOLT	1	1	1	
21	92903-08600	WASHER, PLATE	1	1	1	

FIG. 13 BOTTOM COWLING



6H31700-2130

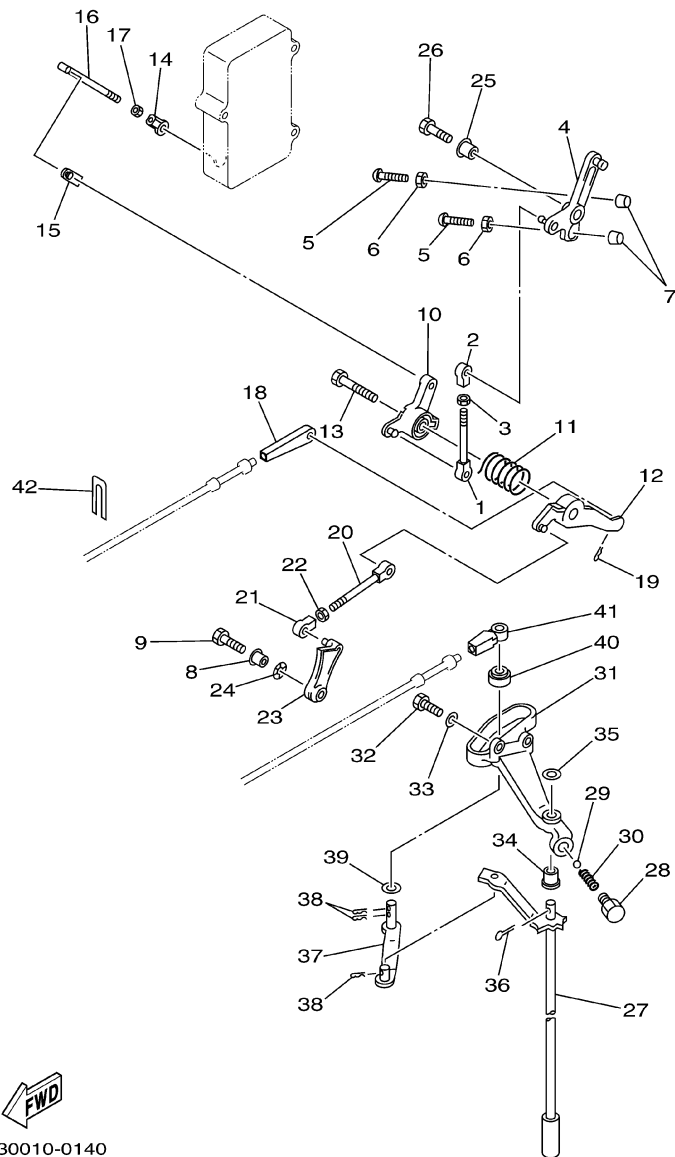
REF. NO.	PART NO.	DESCRIPTION	60ET	6ETO	7ETO	REMARKS
26	92990-06600	WASHER, PLATE	1	1	1	
27	688-42726-10	GROMMET	1	1	1	
28	90464-09M13	CLAMP	1	1	1	
29	90157-06M01	SCREW, PAN HEAD	1	1	1	
30	6G1-42748-00	GROMMET		1	1	
31	6H3-42741-01-4D	APRON	1	1	1	
32	6H3-42771-01-4D	APRON	1	1	1	
33	97095-06025	BOLT	2	2	2	
34	92995-06600	WASHER	2	2	2	
35	97095-06020	BOLT	2	2	2	
36	92995-06600	WASHER	2	2	2	
37	6E5-24367-01	CLAMP, FUEL PIPE 2	1	1	1	
38	92990-06600	WASHER, PLATE	1	1	1	
39	6H3-42718-00	RUBBER, SEAL 3	1	1	1	
40	6G5-42791-10	MARK 1	1	1	1	
41	6R6-42791-40	MARK 1	1			



6H30010-0140

FIG. 14 CONTROL

REF. NO.	PART NO.	DESCRIPTION	60ET	6ETO	7ETO	REMARKS
1	689-42169-01	JOINT	1	1	1	
2	682-41237-00	JOINT, LINK	1	1	1	
3	95380-05600	NUT	1	1	1	
4	6H3-41631-00	LEVER, MAGNETO CONTROL	1	1	1	
5	90157-06M13	SCREW, PAN HEAD	2	2	2	
6	95380-06600	NUT, HEXAGON	2	2	2	
7	688-44194-00	CAP	2	2	2	
8	90387-06M60	COLLAR	1	1	1	
9	97095-06025	BOLT	1	1	1	
10	6H3-41632-20	LEVER, MAGNETO CONTROL	1	1	1	
11	90508-26M35	SPRING, TORSION	1	1	1	
12	6H3-41633-10	LEVER, MAGNETO CONTROL	1	1	1	
13	90109-06M43	BOLT	1	1	1	
14	6H1-41237-00	JOINT, LINK	1	1	1	
15	6F5-41237-00	JOINT, LINK	1	1	1	
16	6H3-41636-10-94	ROD, MAGNETO CONTROL	1	1	1	
17	95380-05600	NUT	1	1	1	
18	6H3-48344-00	CABLE END, REMOTE CONTROL	1	1	1	
19	90468-18008	CLIP	1	1	1	
20	689-42169-01	JOINT	1	1	1	
21	6H4-41237-00	JOINT, LINK	1	1	1	
22	95380-05600	NUT	1	1	1	
23	6H3-41213-10	CAM, ACCEL.	1	1	1	
24	90206-10M04	WASHER, WAVE	1	1	1	
25	90387-06M60	COLLAR	1	1	1	
26	97095-06025	BOLT	1	1	1	
27	6H3-44120-12	HANDLE GEAR SHIFT ASSY	1	1	1	L

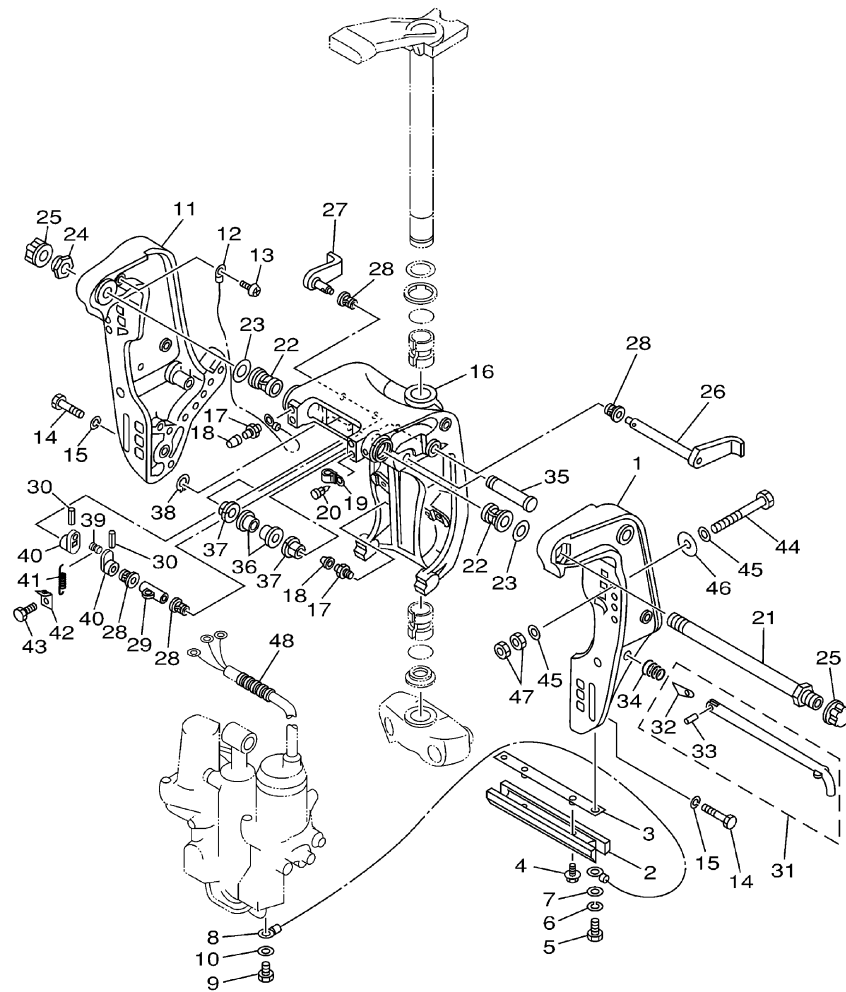


FWD
6H30010-0140

FIG. 14 CONTROL

REF. NO.	PART NO.	DESCRIPTION	60ET	6ETO	7ETO	REMARKS
28	648-42715-00	BUSHING	1	1	1	
29	93501-04M02	BALL	1	1	1	
30	90501-12082	SPRING, COMPRESSION	1	1	1	
31	6H3-44117-00-94	BRACKET		1	1	
	6J2-44117-01-94	BRACKET	1			
32	97013-06020	BOLT	2	2	2	
33	92903-06600	WASHER, PLATE	2	2	2	
34	90386-07M58	BUSH	1	1	1	
35	92990-08200	WASHER, PLAIN	1	1	1	
36	91490-20012	PIN, COTTER	1	1	1	
37	6H3-44121-01	LEVER, SHIFT ROD	1	1	1	
38	90468-18008	CLIP	3	3	3	
39	90202-07M07	WASHER, PLATE	1	1	1	
40	688-44122-00	BUSHING, SHIFT ROD LEVER	1	1	1	
41	663-48344-00	CABLE END, REMOTE CONTROL	1	1	1	
42	6H3-48538-00	CLAMP, CABLE 1	1	1	1	

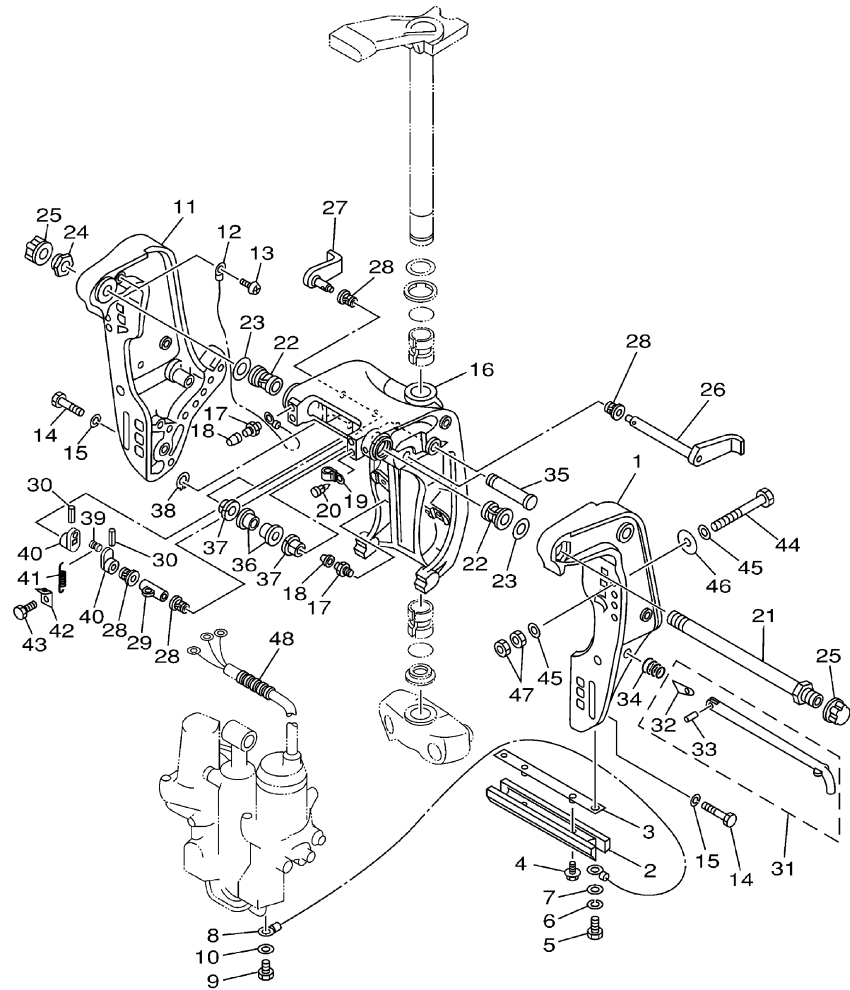
FIG. 15 BRACKET 1



6H30010-9151

REF. NO.	PART NO.	DESCRIPTION	60ET	6ETO	7ETO	REMARKS
1	6H1-43111-01-4D	BRACKET, CLAMP	1	1	1	
2	6H1-45251-03	ANODE	1	1	1	
3	6H1-44526-00	PLATE	1	1	1	
4	90119-06M29	BOLT, WITH WASHER	2	2	2	
5	97095-06016	BOLT	2	2	2	
6	92995-06100	WASHER, SPRING	2	2	2	
7	92995-06600	WASHER	2	2	2	
8	6H1-82148-00	WIRE, LEAD 4	1	1	1	
9	97095-06010	BOLT	1	1	1	
10	92995-06600	WASHER	1	1	1	
11	6H1-43112-00-4D	BRACKET, CLAMP	1	1	1	
12	6E5-82148-00	WIRE, LEAD 4	1	1	1	
13	97880-06012	SCREW, PAN HEAD	1	1	1	
14	97095-10045	BOLT	6	6	6	
15	92995-10100	WASHER	6	6	6	
16	6H1-43311-01-4D	BRACKET, SWIVEL 1	1	1	1	
17	93700-06M03	NIPPLE, GREASE	3	3	3	AP
18	663-45119-00	CAP, GREASE NIPPLE	3	3	3	
19	90464-11M18	CLAMP	1	1	1	
20	90338-05M03	PLUG	1	1	1	
21	688-43131-03	BOLT, CLAMP BRACKET	1	1	1	
22	90386-22M15	BUSH	2	2	2	
23	90201-22M67	WASHER, PLATE	2	2	2	
24	90185-22043	NUT, SELF-LOCKING	1	1	1	
25	6G5-43145-01	CAP, CLAMP BRACKET	2	2	2	
26	6H1-43181-01	LEVER, TILT STOP	1	1	1	
27	6H1-43185-01	LEVER, TILT STOP	1	1	1	

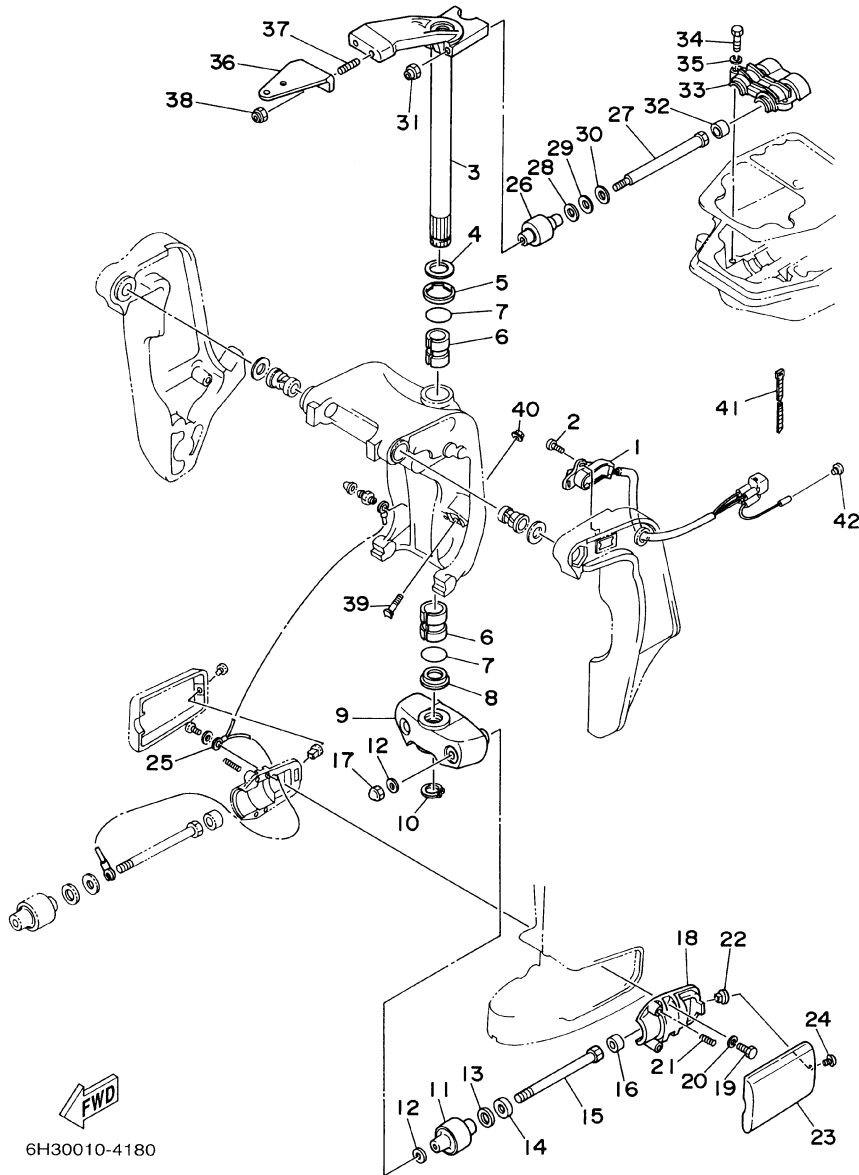
FIG. 15 BRACKET 1



6H30010-9151

REF. NO.	PART NO.	DESCRIPTION	60ET	6ETO	7ETO	REMARKS
28	90386-10M16	BUSH	4	4	4	
29	90387-10M02	COLLAR	1	1	1	
30	91690-30020	PIN, SPRING	2	2	2	
31	688-43160-01	TILT ROD ASSY	1	1	1	
32	688-43165-00	.PLATE, TILT LOCK	1	1	1	
33	91690-30012	.PIN, SPRING	1	1	1	
34	90502-16M02	SPRING, CONICAL	1	1	1	
35	6E5-43126-02	PIN, UPPER SHOCK MOUNT	1	1	1	
36	90386-18M63	BUSH	2	2	2	
37	90386-18M35	BUSH	2	2	2	
38	93410-18M02	CIRCLIP	1	1	1	
39	90249-06M19	PIN	1	1	1	
40	6G5-43148-00	COLLAR, DISTANCE	2	2	2	
41	90506-14M24	SPRING, TENSION	1	1	1	
42	6G5-43144-00	HOOK, SPRING	1	1	1	
43	97095-06010	BOLT	1	1	1	
44	90101-12M65	BOLT	4	4	4	
45	92995-12200	WASHER	8	8	8	
46	90201-12426	WASHER, PLATE	4	4	4	
47	95380-12600	NUT	8	8	8	
48	90440-14M00	PIPE	1	1	1	

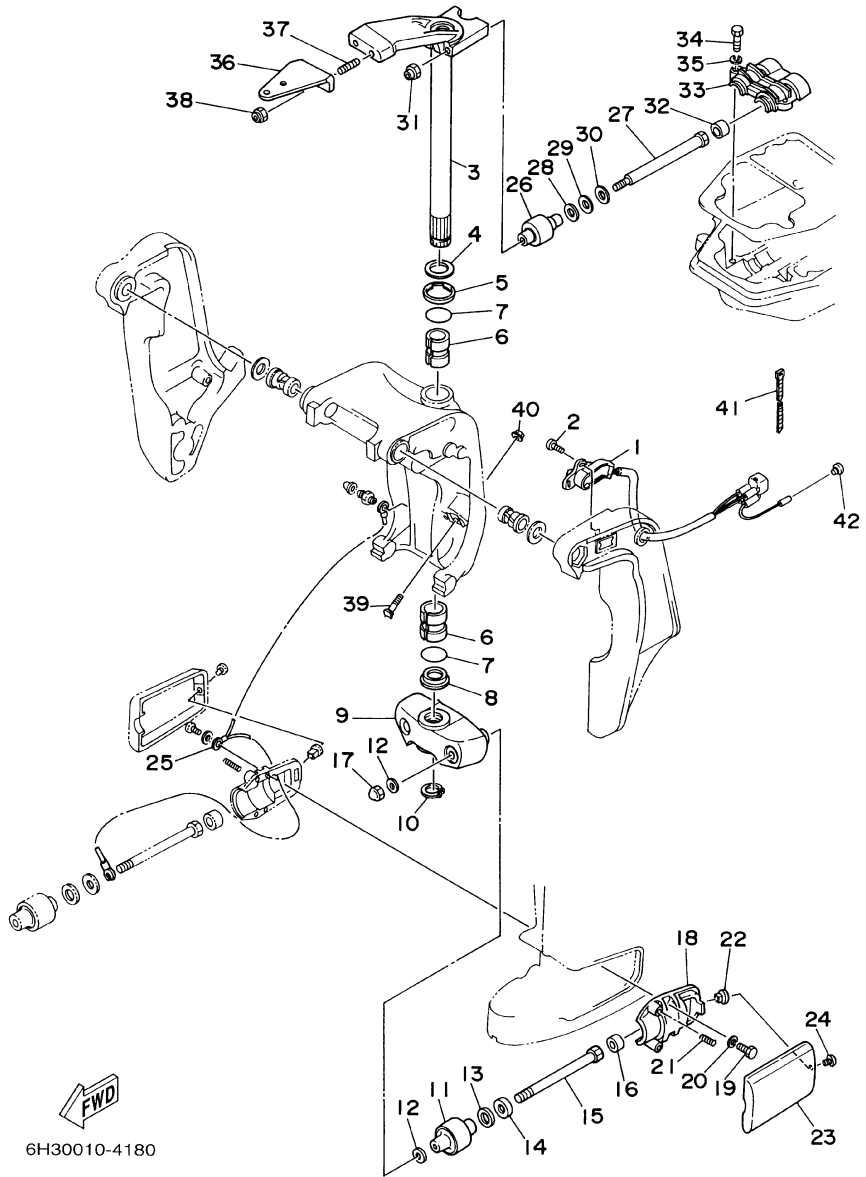
FIG. 16 BRACKET 2



6H30010-4180

REF. NO.	PART NO.	DESCRIPTION	60ET	6ETO	7ETO	REMARKS
1	6H1-83672-12	TRIM SENDER	1	1	1	
2	97885-06016	SCREW, PAN HEAD	2	2	2	
3	6H3-42510-12-4D	STEERING BRACKET ASSY	1	1	1	
4	90201-30M00	WASHER, PLATE	1	1	1	
5	90386-30M78	BUSH	1	1	1	
6	90386-30M77	BUSH	2	2	2	
7	93210-29M94	O-RING	2	2	2	
8	90386-30M60	BUSH	1	1	1	
9	6H3-44551-01-4D	HOUSING, LOWER MOUNT RUBBER	1	1	1	
10	93410-28M06	CIRCLIP	1	1	1	
11	687-44555-00-94	MOUNT DAMPER, LOWER SIDE	2	2	2	
12	90201-12M16	WASHER, PLATE	4	4	4	
13	90202-25M04	WASHER, PLATE	2	2	2	
14	90201-13M19	WASHER, PLATE	2	2	2	
15	90109-12M21	BOLT	2	2	2	
16	663-44575-00	DAMPER, LOWER MOUNT RUBBER	2	2	2	
17	95380-12800	NUT, CROWN	2	2	2	
18	6H3-44552-03-94	HOUSING, LOWER MOUNT RUBBER	2	2	2	
19	97075-08025	BOLT	4	4	4	
20	92995-08100	WASHER	4	4	4	
21	90501-14M08	SPRING, COMPRESSION	4	4	4	
22	90179-06066	NUT	2	2	2	
23	6H3-44553-01-4D	COVER, LOWER MOUNT	2	2	2	
24	97885-06016	SCREW, PAN HEAD	2	2	2	
25	688-82127-02	WIRE, LEAD 2	1	1	1	
26	688-44514-00-94	MOUNT DAMPER, UPPER SIDE	2	2	2	
27	90101-10M49	BOLT	2	2	2	

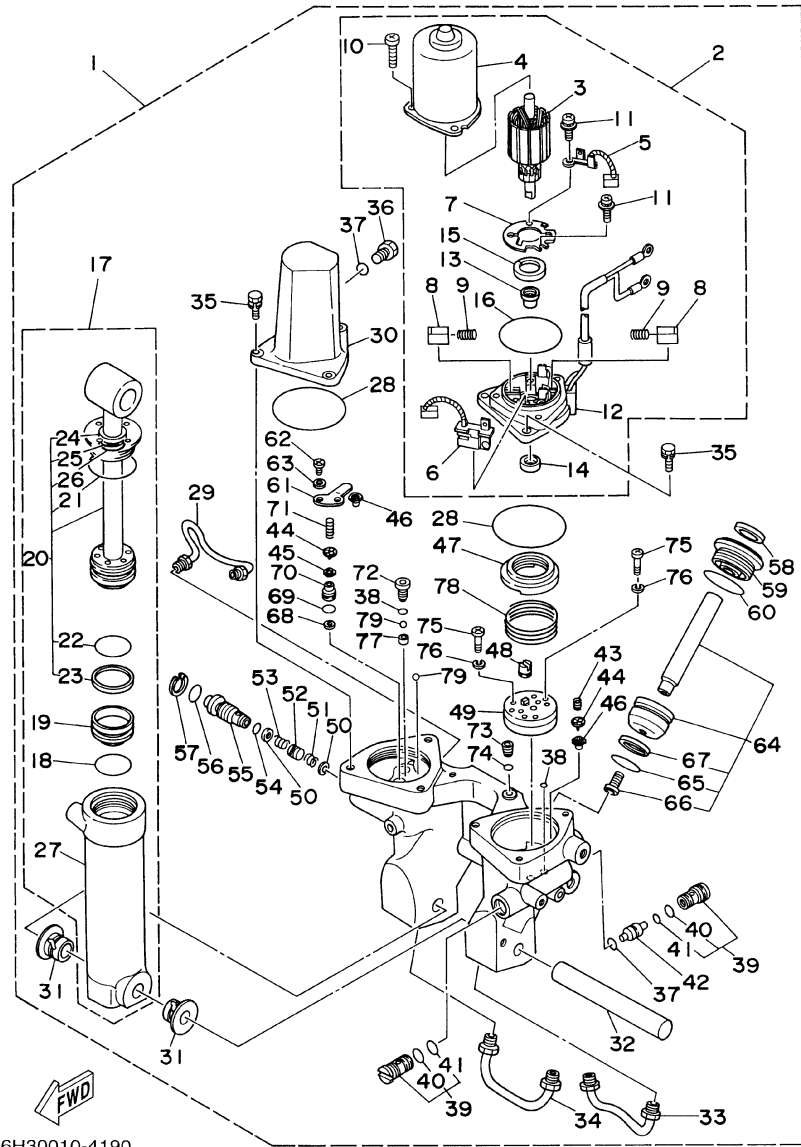
FIG. 16 BRACKET 2



6H30010-4180

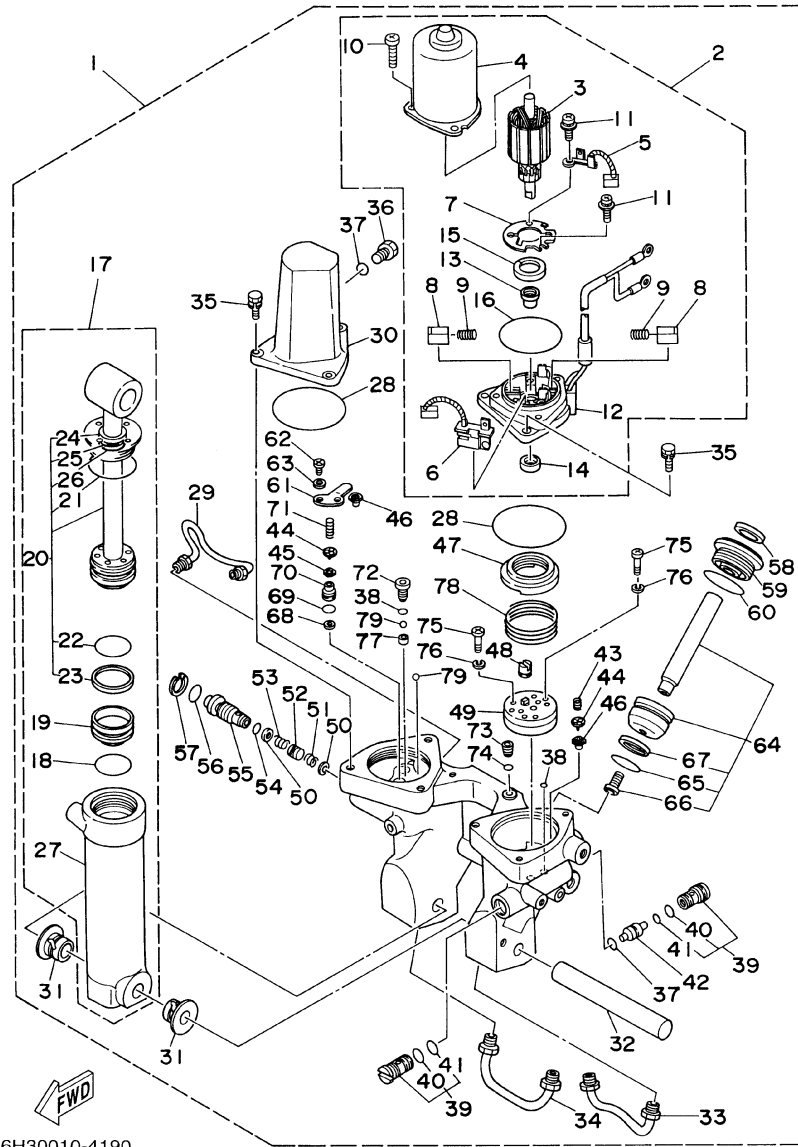
REF. NO.	PART NO.	DESCRIPTION	60ET	6ETO	7ETO	REMARKS
28	90201-20M21	WASHER, PLATE	2	2	2	
29	90202-20M06	WASHER, PLATE	2	2	2	
30	90201-11M22	WASHER, PLATE	2	2	2	
31	90185-10051	NUT, SELF-LOCKING	2	2	2	
32	663-44575-00	DAMPER, LOWER MOUNT RUBBER	2	2	2	
33	688-44511-00-94	COVER, UPPER MOUNT	1	1	1	
34	97075-08035	BOLT	3	3	3	
35	92995-08100	WASHER	3	3	3	
36	6H3-48511-51-4D	HOOK, STEERING	1	1	1	
37	90116-10175	BOLT, STUD	2	2	2	
38	90185-10051	NUT, SELF-LOCKING	2	2	2	
39	6H1-43376-00	BOLT, THRUST RECEIVER	2	2	2	
40	90185-08057	NUT, SELF-LOCKING	2	2	2	
41	90465-11M10	CLAMP	3	3	3	
42	703-82119-00	COVER, LEAD WIRE	1	1	1	

FIG. 17 POWER TRIM & TILT ASSY



6H30010-4190

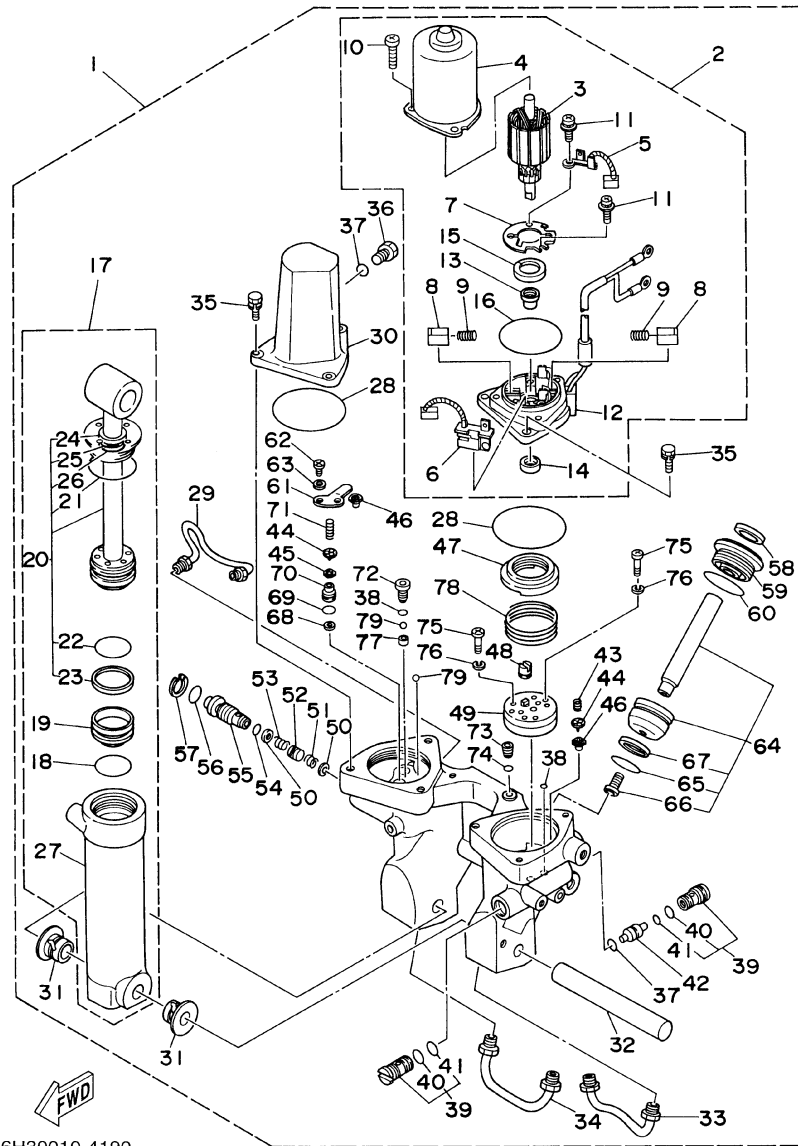
REF. NO.	PART NO.	DESCRIPTION	60ET	6ETO	7ETO	REMARKS
1	6H1-43800-16-4D	POWER TRIM & TILT ASSY	1	1	1	
2	6H1-43880-02	..MOTOR ASSY	1	1	1	
3	6H1-43805-10	..ARMATURE ASSY	1	1	1	
4	6H1-43804-10	..STATOR ASSY	1	1	1	
5	6H1-43891-10	..BRUSH 1	1	1	1	
6	6H1-43892-10	..BRUSH 2	1	1	1	
7	6H1-4380F-10	..PLATE, BRUSH HOLDER	1	1	1	
8	6H1-4380J-10	..HOLDER, BRUSH	2	2	2	
9	6H1-4386K-10	..SPRING, BRUSH	2	2	2	
10	97885-05016	..SCREW, PAN HEAD	3	3	3	
11	97607-04310	..SCREW, PAN HEAD WITH WASHER	2	2	2	
12	6H1-43881-10	..FRAME, END	1	1	1	
13	6H1-4380H-10	..METAL	1	1	1	
14	93102-08M43	..OIL SEAL	1	1	1	
15	6H1-4380G-10	..PLATE	1	1	1	
16	6H1-43865-10	..O-RING	1	1	1	
17	6H1-43840-11	..POWER TILT ASSY	1	1	1	
18	6H1-43861-10	..O-RING	1	1	1	
19	6H1-43814-11	..PISTON, FREE	1	1	1	
20	6H1-43810-11	..TILT PISTON SUB ASSY	1	1	1	
21	6H1-43861-00	...O-RING	1	1	1	
22	6H1-43861-10	...O-RING	1	1	1	
23	6H1-43871-10	...RING, BACK UP	1	1	1	
24	6H1-43812-00	...SEAL, DUST	1	1	1	
25	6H1-43872-10	...RING, BACK UP	1	1	1	
26	93210-18397	...O-RING	1	1	1	
27	6H1-43813-10	..CYLINDER, TILT	1	1	1	



6H30010-4190

FIG. 17 POWER TRIM & TILT ASSY

REF. NO.	PART NO.	DESCRIPTION	60ET	6ETO	7ETO	REMARKS
28	93210-64488	.O-RING	2	2	2	
29	6H1-43835-10	.PIPE	1	1	1	
30	6H1-43828-10	.BODY, RESERVOIR	1	1	1	
31	90386-18M14	.BUSH	2	2	2	
32	6E5-43818-00	.PIN, LOWER SHOCK MOUNT	1	1	1	
33	6H1-43833-10	.PIPE	1	1	1	
34	6H1-43834-00	.PIPE	1	1	1	
35	97595-06420	.BOLT, WITH WASHER	6	6	6	
36	6H1-43829-00	.PLUG, RESERVOIR	1	1	1	
37	93210-09165	.O-RING	2	2	2	
38	93210-064A5	.O-RING	3	3	3	
39	6T4-43802-03	.VALVE SUB ASSY	2	2	2	
40	6H1-43866-00	.O-RING	1	1	1	
41	6H1-43867-00	.O-RING	1	1	1	
42	6H1-43841-11	.PISTON, SHUTTLE	1	1	1	
43	6H1-43856-10	.SPRING, DOWN RELIEF	1	1	1	
44	6H1-43844-10	.PIN, VALVE SUPPORT	2	2	2	
45	6H1-4384G-11	.SEAL, RELIEF VALVE	1	1	1	
46	6H1-4384F-10	.SEAL, MAIN VALVE	2	2	2	
47	6H1-43817-01	.FILTER 2	1	1	1	
48	6H1-43831-10	.CONNECTOR, SHAFT	1	1	1	
49	6H1-43830-11	.GEAR PUMP ASSY	1	1	1	
50	6H1-43847-00	.SEAT, MANUAL VALVE	2	2	2	
51	6H1-43899-00	.SPRING, MANUAL RELEASE	1	1	1	
52	6H1-4382A-10	.ADAPTOR 1	1	1	1	
53	6H1-43854-00	.SPRING, MANUAL RELEASE	1	1	1	
54	93210-10M74	.O-RING	1	1	1	

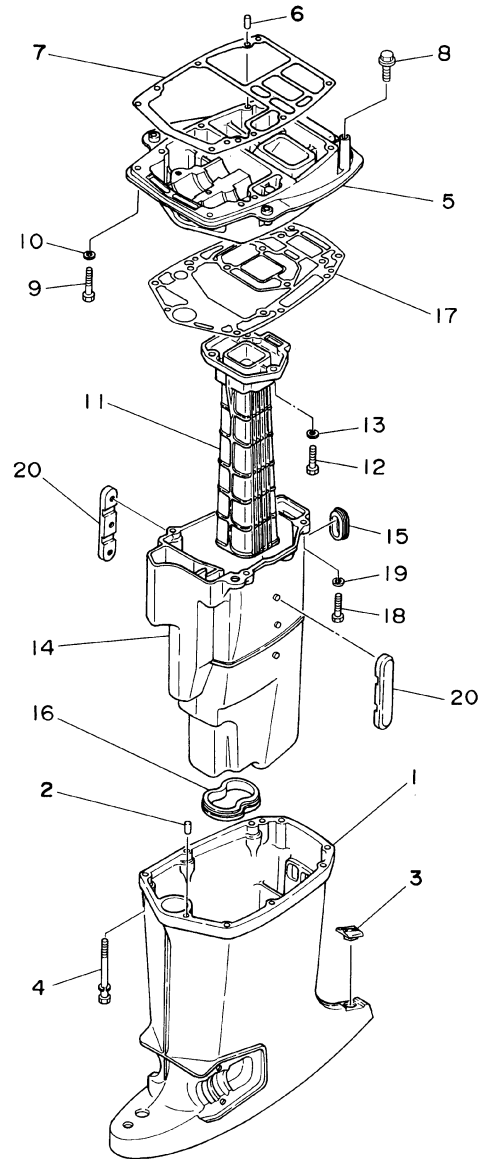


6H30010-4190

FIG. 17 POWER TRIM & TILT ASSY

REF. NO.	PART NO.	DESCRIPTION	60ET	6ETO	7ETO	REMARKS
55	6H1-43845-00	.SCREW, MANUAL RELEASE	1	1	1	
56	93210-18M75	.O-RING	1	1	1	
57	6H1-43875-00	.RING, SNAP	1	1	1	
58	6H1-43822-10	.SEAL, TRIM DUST	2	2	2	
59	6H1-43821-11	.SCREW, TRIM CYLINDER END	2	2	2	
60	6H1-43861-10	.O-RING	2	2	2	
61	6H1-4384E-20	.SPRING, TRIM	1	1	1	
62	98501-05010	.SCREW, PAN HEAD	2	2	2	
63	92901-05200	.WASHER, PLAIN	2	2	2	
64	6H1-43820-11	.TRIM PISTON SUB ASSY	2	2	2	
65	6H1-43864-00	.O-RING	1	1	1	
66	91318-08016	.BOLT	1	1	1	
67	6H1-43874-00	.RING, BACK UP	1	1	1	
68	6H1-43816-00	.FILTER 1	1	1	1	
69	6H1-43896-00	.O-RING	1	1	1	
70	6H1-43895-12	.SEAT, RELIEF VALVE	1	1	1	
71	6H1-43855-11	.SPRING, UP RELIEF	1	1	1	
72	6H1-43843-11	.SCREW, VALVE LOCK	1	1	1	
73	6H1-4388E-11	.PLUG, TAPER SCREW	1	1	1	
74	6H1-43868-00	.O-RING	1	1	1	
75	98501-04025	.SCREW, PAN HEAD	4	4	4	
76	92901-04100	.WASHER, SPRING	4	4	4	
77	6H1-4387J-00	.WASHER, SPECIAL 2	1	1	1	
78	6H1-4385H-00	.SPRING, SEAL	1	1	1	
79	93505-32038	.BALL	2	2	2	

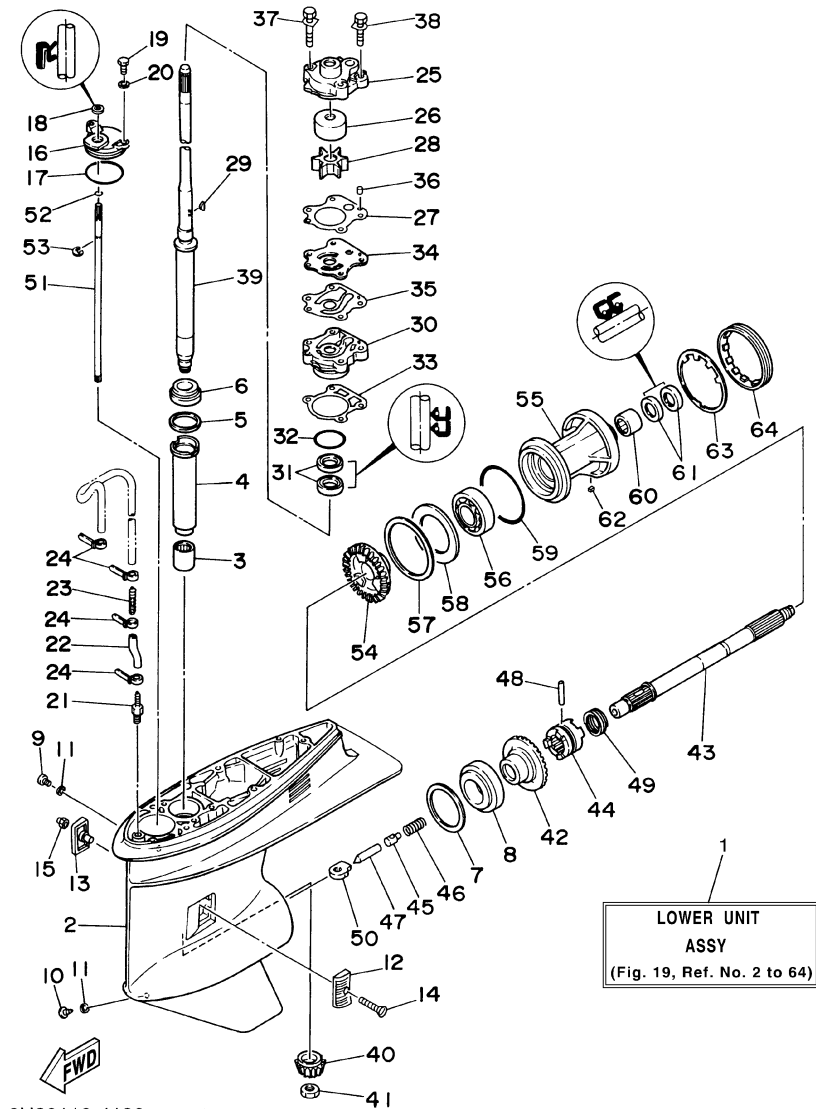
FIG. 18 UPPER CASING



REF. NO.	PART NO.	DESCRIPTION	60ET	6ETO	7ETO	REMARKS
1	6H3-45111-11-4D	CASING, UPPER	1	1	1	
2	93606-12019	PIN, DOWEL	2	2	2	
3	6H3-45155-00	CAP	1	1	1	
4	90119-08M81	BOLT, WITH WASHER	6	6	6	
5	6H3-41137-01-94	GUIDE, EXHAUST	1	1	1	
6	93606-12019	PIN, DOWEL	2	2	2	
7	6H3-45113-A0	GASKET, UPPER CASING	1	1	1	
8	90119-08M79	BOLT, WITH WASHER	2	2	2	
9	97075-08035	BOLT	2	2	2	
10	92995-08100	WASHER	2	2	2	
11	6H3-41131-00-5B	MANIFOLD, EXT. 1			1	
	6H2-41131-00-5B	MANIFOLD, EXT. 1	1	1		
12	97075-08030	BOLT	3	3	3	
13	92995-08100	WASHER	3	3	3	
14	6H3-14711-10-5B	MUFFLER 1	1	1	1	
15	6H3-45127-00	SEAL	1	1	1	
16	6H3-45123-00	GASKET, MUFFLER	1	1	1	
17	6H3-45114-A1	GASKET, UPPER CASING	1	1	1	
18	97075-08030	BOLT	4	4	4	
19	92995-08100	WASHER	4	4	4	
20	6H3-14737-10	DAMPER, MUFFLER	2	2	2	

FWD
6H30100-4190

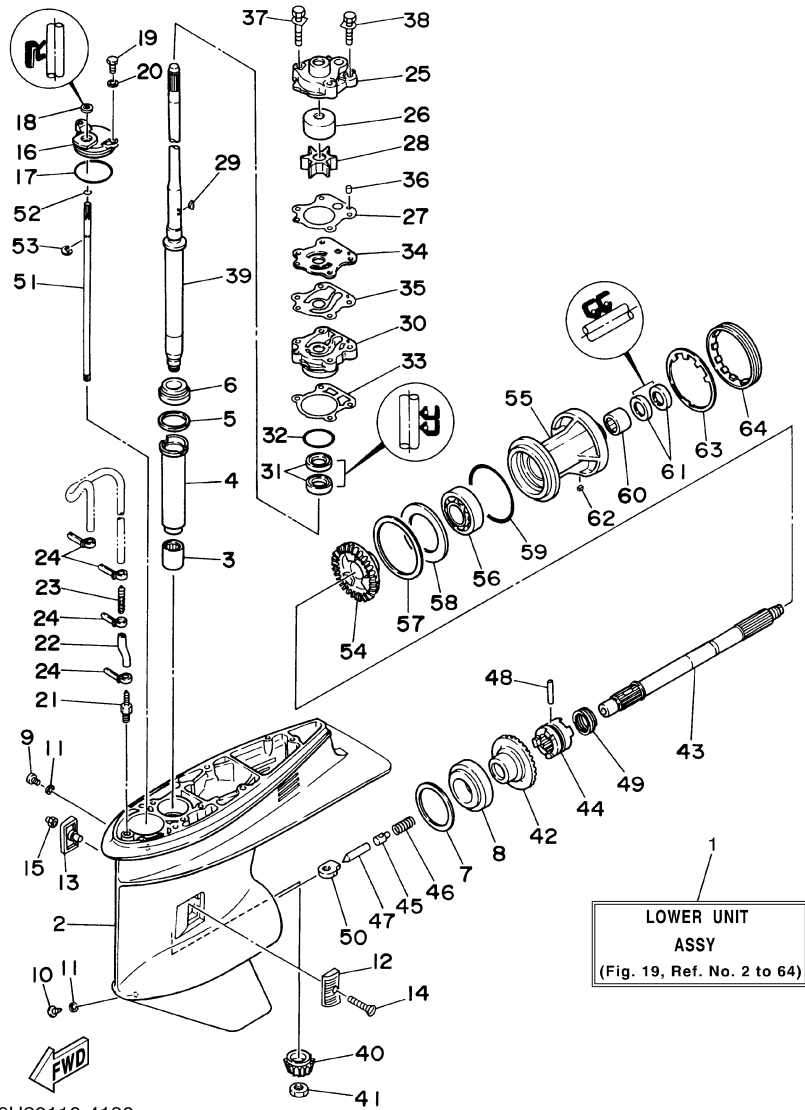
FIG. 19 LOWER CASING, DRIVE 1



6H20110-4190

REF. NO.	PART NO.	DESCRIPTION	60ET	6ETO	7ETO	REMARKS
1	6H3-45300-E4-4D	LOWER UNIT ASSY	1			L
2	6H1-45301-12-4D	CASING, LOWER	1			
3	93315-325V1	BEARING	1			
4	688-45536-01	SLEEVE, DRIVE SHAFT	1			
5	688-45587-01-10	SHIM (T:0.10MM)	1			UR
	688-45587-01-12	SHIM (T:0.12MM)	1			UR
	688-45587-01-15	SHIM (T:0.15MM)	1			UR
	688-45587-01-18	SHIM (T:0.18MM)	1			UR
	688-45587-01-30	SHIM (T:0.30MM)	1			UR
	688-45587-01-40	SHIM (T:0.40MM)	1			UR
	688-45587-01-50	SHIM (T:0.50MM)	1			UR
6	93332-000U3	BEARING	1			
7	688-45567-01-10	SHIM (T:0.10MM)	1			UR
	688-45567-01-12	SHIM (T:0.12MM)	1			UR
	688-45567-01-15	SHIM (T:0.15MM)	1			UR
	688-45567-01-18	SHIM (T:0.18MM)	1			UR
	688-45567-01-30	SHIM (T:0.30MM)	1			UR
	688-45567-01-40	SHIM (T:0.40MM)	1			UR
	688-45567-01-50	SHIM (T:0.50MM)	1			UR
8	93332-000W7	BEARING	1			
9	90340-08M04	PLUG, STRAIGHT SCREW	1			
10	688-45341-00	PLUG, DRAIN	1			
11	90430-08020	GASKET	2			
12	6H1-45214-00	COVER, WATER INLET	1			
13	6H1-45215-00	COVER, WATER INLET	1			
14	90151-05M00	SCREW, COUNTERSUNK	1			
15	90185-05002	NUT, SELF-LOCKING	1			

FIG. 19 LOWER CASING. DRIVE 1



6H20110-4190

REF. NO.	PART NO.	DESCRIPTION	60ET	6ETO	7ETO	REMARKS
16	688-45321-00	PLATE	1			
17	93210-49046	O-RING	1			
18	93106-09014	OIL SEAL	1			
19	97095-06016	BOLT	2			
20	92995-06600	WASHER	2			
<hr/>						
21	6E5-45378-00	NIPPLE, HOSE	1			
22	90445-07ME9	HOSE (L120)	1			L
23	6E5-83558-10	END, NIPPLE	1			
24	90465-11M10	CLAMP	4			
25	6H3-44311-00	HOUSING, WATER PUMP	1			
<hr/>						
26	663-44322-00	INSERT, CARTRIDGE	1			
27	6H3-44315-A0	GASKET, WATER PUMP	1			
28	6H3-44352-00	IMPELLER	1			
29	90280-03M03	KEY, WOODRUFF	1			
30	6H3-44341-00-94	HOUSING, WATER PUMP	1			
<hr/>						
31	93101-23070	OIL SEAL	2			
32	93210-46044	O-RING	1			
33	688-44316-A0	GASKET, WATER PUMP	1			
34	6H3-44323-00	OUTER PLATE, CARTRIDGE	1			
35	6H3-44324-A0	GASKET, CARTRIDGE	1			
<hr/>						
36	93604-10M03	PIN, DOWEL	2			
37	90119-08M33	BOLT, WITH WASHER	2			
38	90119-08M14	BOLT, WITH WASHER	2			
39	6H3-45501-10	DRIVE SHAFT COMP.	1			L
40	6K5-45551-00	PINION (12T)	1			
41	90170-16M01	NUT	1			
<hr/>						
42	6K5-45560-00	GEAR (28T)	1			

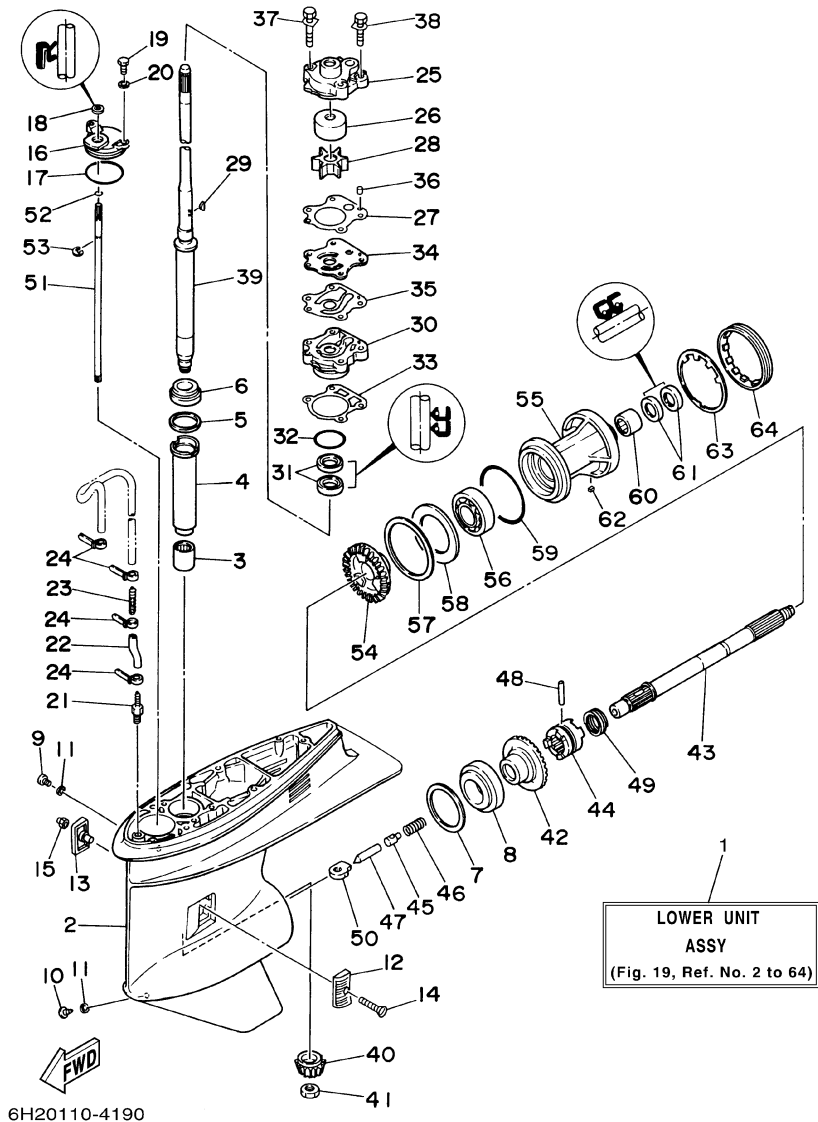
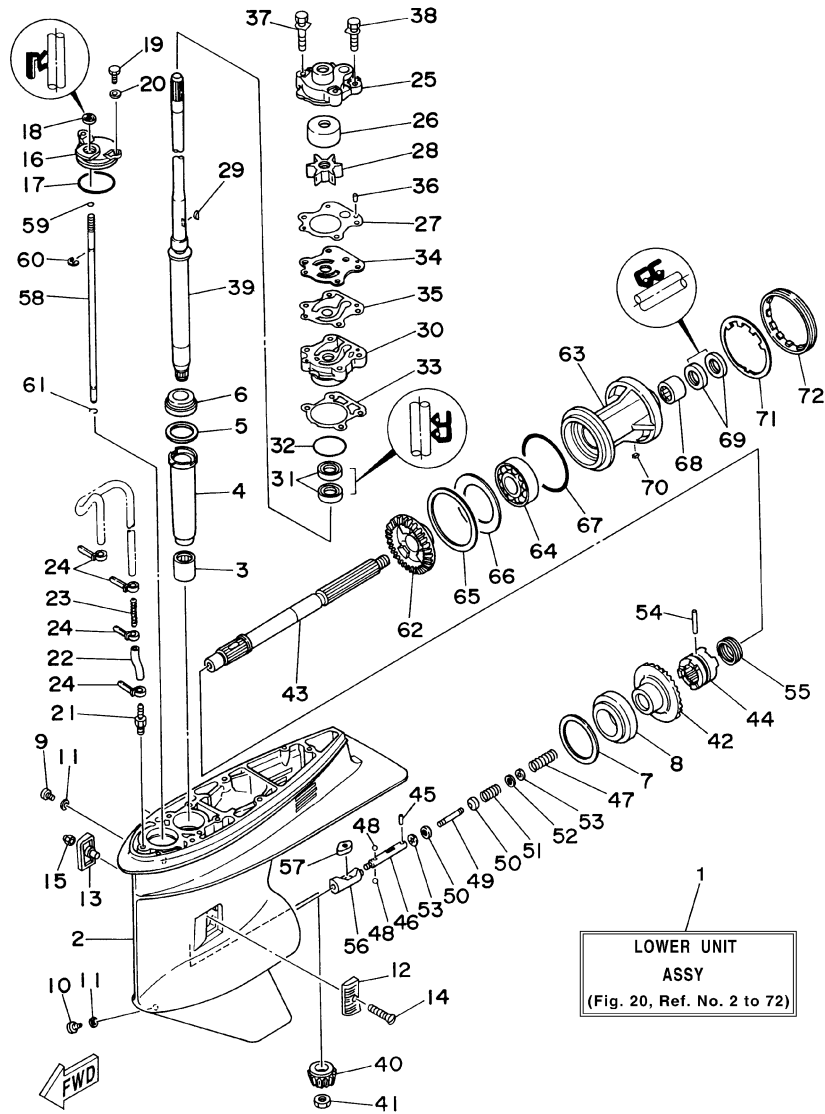


FIG. 19 LOWER CASING. DRIVE 1

REF. NO.	PART NO.	DESCRIPTION	60ET	6ETO	7ETO	REMARKS
43	688-45611-00	SHAFT, PROPELLER	1			
44	688-45631-01	CLUTCH, DOG	1			
45	688-45634-00	SLIDE, SHIFT	1			
46	90501-16233	SPRING, COMPRESSION	1			
47	688-45635-00	PLUNGER, SHIFT	1			
48	90250-07M02	PIN, STRAIGHT	1			
49	688-45633-00	RING, CROSS PIN	1			
50	663-44151-00	CAM, SHIFT	1			
51	6K5-44144-00	ROD, SHIFT	1			
52	93210-07003	O-RING	1			
53	93430-08006	CIRCLIP	1			
54	6K5-45571-00	GEAR (28T)	1			
55	688-45331-00-94	HOUSING, BEARING	1			
56	93306-207U0	BEARING	1			
57	688-45577-01-10	SHIM (T:0.10MM)	1			UR
	688-45577-01-12	SHIM (T:0.12MM)	1			UR
	688-45577-01-15	SHIM (T:0.15MM)	1			UR
	688-45577-01-18	SHIM (T:0.18MM)	1			UR
	688-45577-01-30	SHIM (T:0.30MM)	1			UR
	688-45577-01-40	SHIM (T:0.40MM)	1			UR
	688-45577-01-50	SHIM (T:0.50MM)	1			UR
58	688-45576-00	WASHER, THRUST	1			
59	93210-85M97	O-RING	1			
60	93317-325U0	BEARING	1			
61	93101-25M03	OIL SEAL	2			
62	90282-04010	KEY, STRAIGHT	1			
63	688-45383-02	WASHER, CLAW	1			

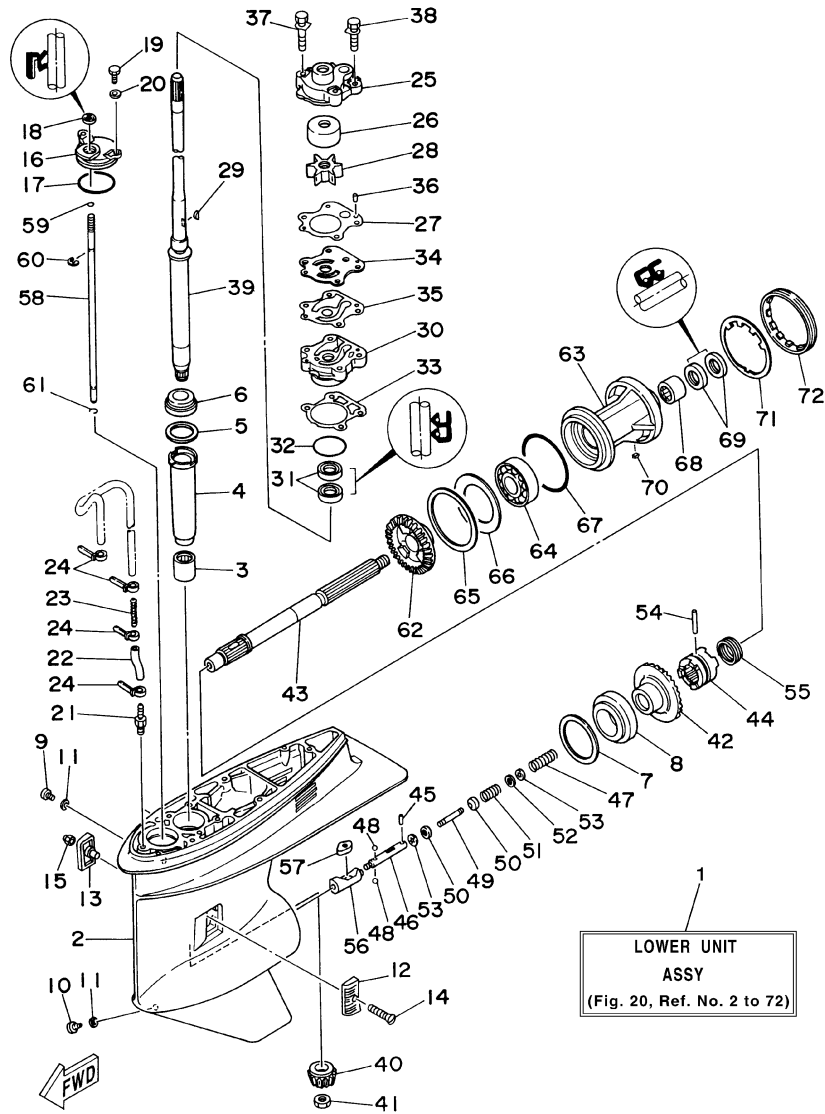
FIG. 20 LOWER CASING, DRIVE 2



6H30010-4210

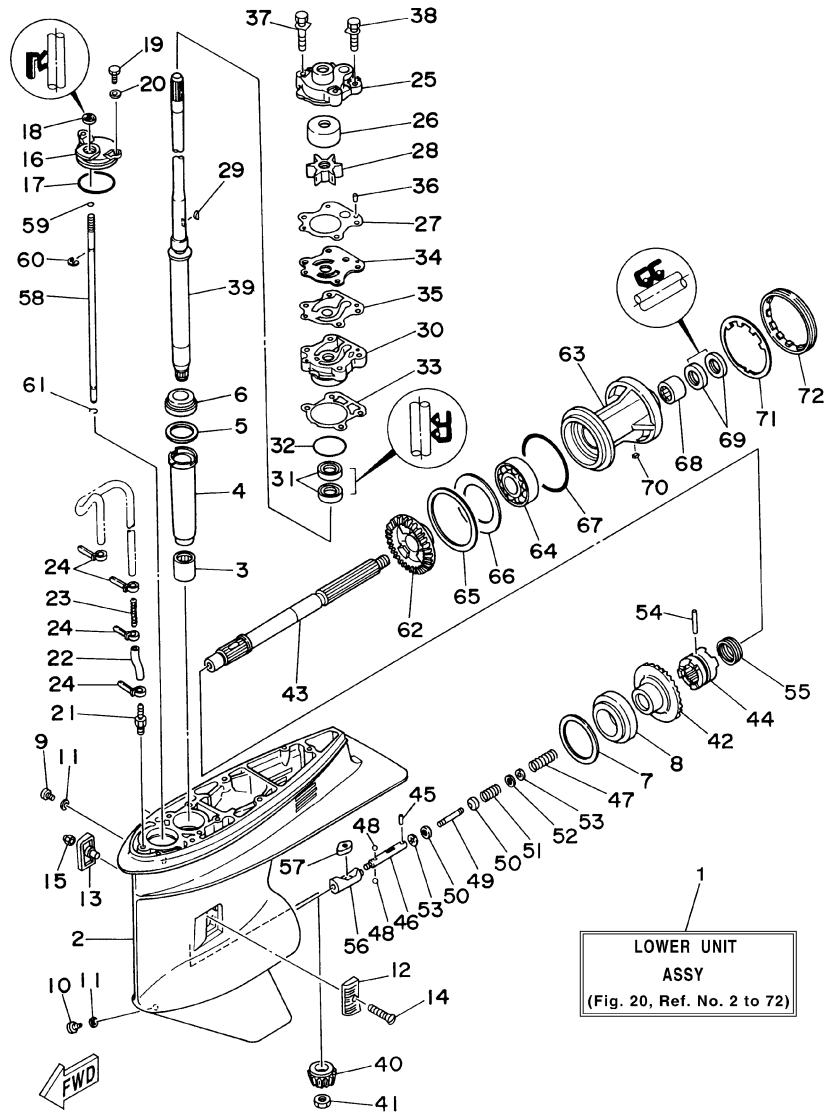
REF. NO.	PART NO.	DESCRIPTION	60ET	6ETO	7ETO	REMARKS
1	6H3-45300-15-4D	LOWER UNIT ASSY		1	1	L
2	6H1-45301-03-4D	CASING, LOWER		1	1	
3	93315-325V1	BEARING		1	1	
4	688-45536-01	SLEEVE, DRIVE SHAFT		1	1	
5	688-45587-01-10	SHIM (T:0.10MM)		1	1	UR
	688-45587-01-12	SHIM (T:0.12MM)		1	1	UR
	688-45587-01-15	SHIM (T:0.15MM)		1	1	UR
	688-45587-01-18	SHIM (T:0.18MM)		1	1	UR
	688-45587-01-30	SHIM (T:0.30MM)		1	1	UR
	688-45587-01-40	SHIM (T:0.40MM)		1	1	UR
	688-45587-01-50	SHIM (T:0.50MM)		1	1	UR
6	93332-000U3	BEARING		1	1	
7	688-45567-01-10	SHIM (T:0.10MM)		1	1	UR
	688-45567-01-12	SHIM (T:0.12MM)		1	1	UR
	688-45567-01-15	SHIM (T:0.15MM)		1	1	UR
	688-45567-01-18	SHIM (T:0.18MM)		1	1	UR
	688-45567-01-30	SHIM (T:0.30MM)		1	1	UR
	688-45567-01-40	SHIM (T:0.40MM)		1	1	UR
	688-45567-01-50	SHIM (T:0.50MM)		1	1	UR
8	93332-000W7	BEARING		1	1	
9	90340-08M04	PLUG, STRAIGHT SCREW		1	1	
10	688-45341-00	PLUG, DRAIN		1	1	
11	90430-08020	GASKET		2	2	
12	6H1-45214-00	COVER, WATER INLET		1	1	
13	6H1-45215-00	COVER, WATER INLET		1	1	
14	90151-05M00	SCREW, COUNTERSUNK		1	1	
15	90185-05002	NUT, SELF-LOCKING		1	1	

FIG. 20 LOWER CASING. DRIVE 2



6H30010-4210

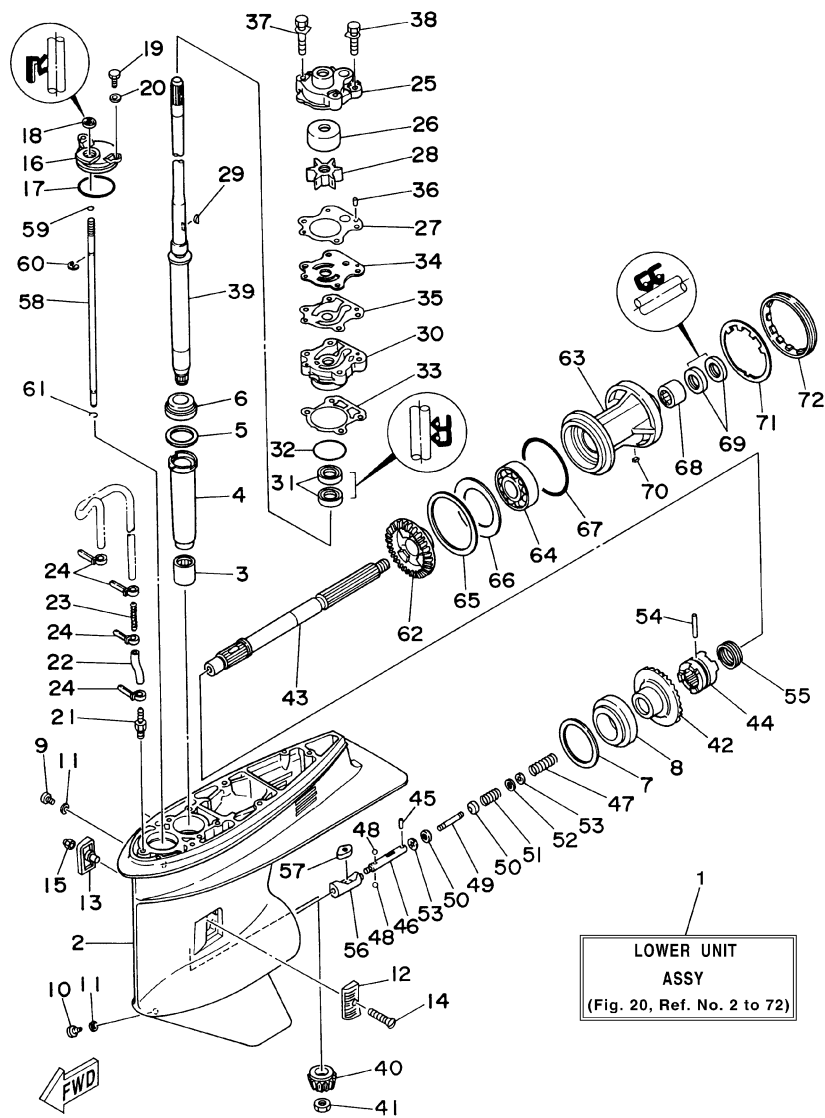
REF. NO.	PART NO.	DESCRIPTION	60ET	6ETO	7ETO	REMARKS
16	688-45321-00	PLATE		1	1	
17	93210-49046	O-RING		1	1	
18	93106-09014	OIL SEAL		1	1	
19	97095-06016	BOLT		2	2	
20	92995-06600	WASHER		2	2	
21	6E5-45378-00	NIPPLE, HOSE		1	1	
22	90445-07ME9	HOSE (L120)		1	1	L
23	6E5-83558-10	END, NIPPLE		1	1	
24	90465-11M10	CLAMP		4	4	
25	6H3-44311-00	HOUSING, WATER PUMP		1	1	
26	663-44322-00	INSERT, CARTRIDGE		1	1	
27	6H3-44315-A0	GASKET, WATER PUMP		1	1	
28	6H3-44352-00	IMPELLER		1	1	
29	90280-03M03	KEY, WOODRUFF		1	1	
30	6H3-44341-00-94	HOUSING, WATER PUMP		1	1	
31	93101-23070	OIL SEAL		2	2	
32	93210-46044	O-RING		1	1	
33	688-44316-A0	GASKET, WATER PUMP		1	1	
34	6H3-44323-00	OUTER PLATE, CARTRIDGE		1	1	
35	6H3-44324-A0	GASKET, CARTRIDGE		1	1	
36	93604-10M03	PIN, DOWEL		2	2	
37	90119-08M33	BOLT, WITH WASHER		2	2	
38	90119-08M14	BOLT, WITH WASHER		2	2	
39	6H3-45501-10	DRIVE SHAFT COMP.		1	1	L
40	6K5-45551-00	PINION (12T)		1	1	
41	90170-16M01	NUT		1	1	
42	6K5-45560-00	GEAR (28T)		1	1	



6H30010-4210

FIG. 20 LOWER CASING. DRIVE 2

REF. NO.	PART NO.	DESCRIPTION	60ET	6ETO	7ETO	REMARKS
43	6H1-45611-01	SHAFT, PROPELLER		1	1	
44	6H1-45631-01	CLUTCH, DOG		1	1	
45	93603-12M11	PIN, DOWEL		1	1	
46	6H1-45634-02	SLIDE, SHIFT		1	1	
47	90501-16M65	SPRING, COMPRESSION		1	1	
48	93503-16003	BALL		2	2	
49	6H1-45668-00	SHAFT, FREE		1	1	
50	6H1-45635-00	PLUNGER, SHIFT		2	2	
51	90501-12M48	SPRING, COMPRESSION		1	1	
52	90201-03313	WASHER, PLATE		1	1	
53	90183-02M03	NUT, SPRING		2	2	
54	90250-07M02	PIN, STRAIGHT		1	1	
55	688-45633-00	RING, CROSS PIN		1	1	
56	6H1-45641-01	SHIFTER		1	1	
57	6H1-44151-00	CAM, SHIFT		1	1	
58	6H1-44144-00	ROD, SHIFT		1	1	
59	93210-07003	O-RING		1	1	
60	93430-08006	CIRCLIP		1	1	
61	93450-07M00	CIRCLIP		1	1	
62	6H3-45571-00	GEAR		1	1	
63	688-45331-00-94	HOUSING, BEARING		1	1	
64	93306-207U0	BEARING		1	1	
65	688-45577-01-10	SHIM (T:0.10MM)		1	1	UR
	688-45577-01-12	SHIM (T:0.12MM)		1	1	UR
	688-45577-01-15	SHIM (T:0.15MM)		1	1	UR
	688-45577-01-18	SHIM (T:0.18MM)		1	1	UR
	688-45577-01-30	SHIM (T:0.30MM)		1	1	UR

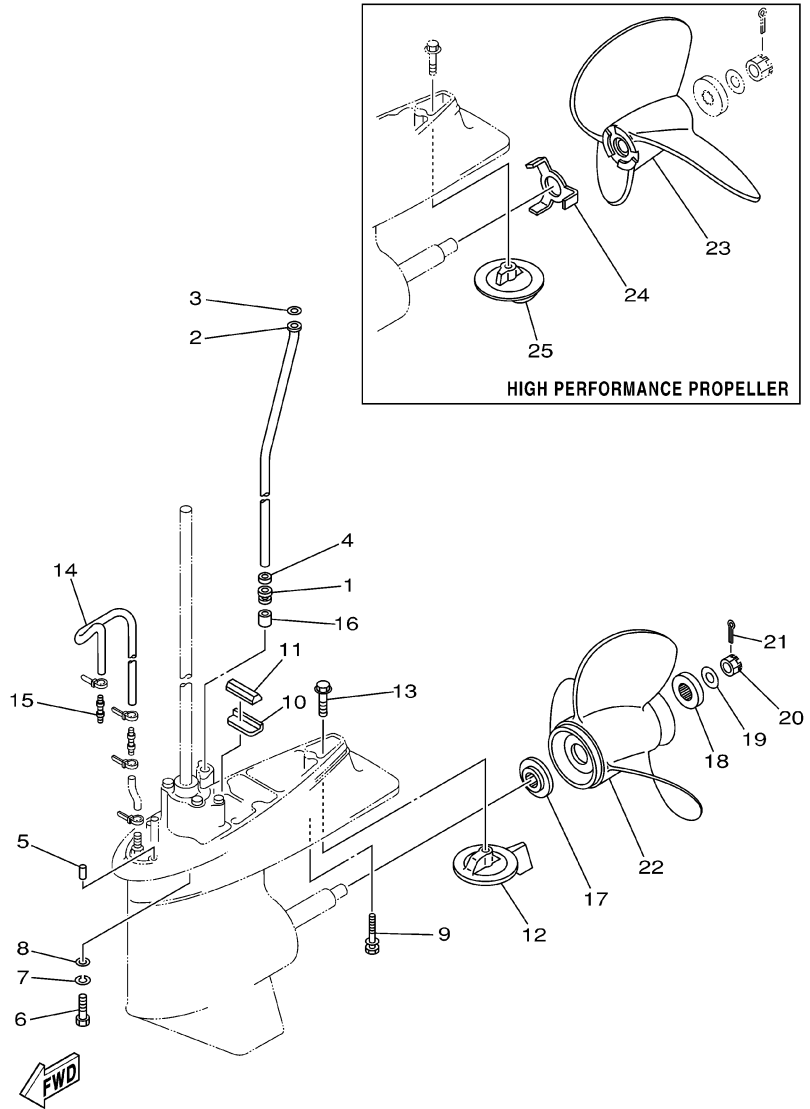


6H30010-4210

FIG. 20 LOWER CASING. DRIVE 2

REF. NO.	PART NO.	DESCRIPTION	60ET	6ETO	7ETO	REMARKS
65	688-45577-01-40	SHIM (T:0.40MM)		1	1	UR
	688-45577-01-50	SHIM (T:0.50MM)		1	1	UR
66	688-45576-00	WASHER, THRUST		1	1	
67	93210-85M97	O-RING		1	1	
68	93317-325U0	BEARING		1	1	
69	93101-25M03	OIL SEAL		2	2	
70	90282-04010	KEY, STRAIGHT		1	1	
71	688-45383-02	WASHER, CLAW		1	1	
72	688-45384-00	NUT		1	1	

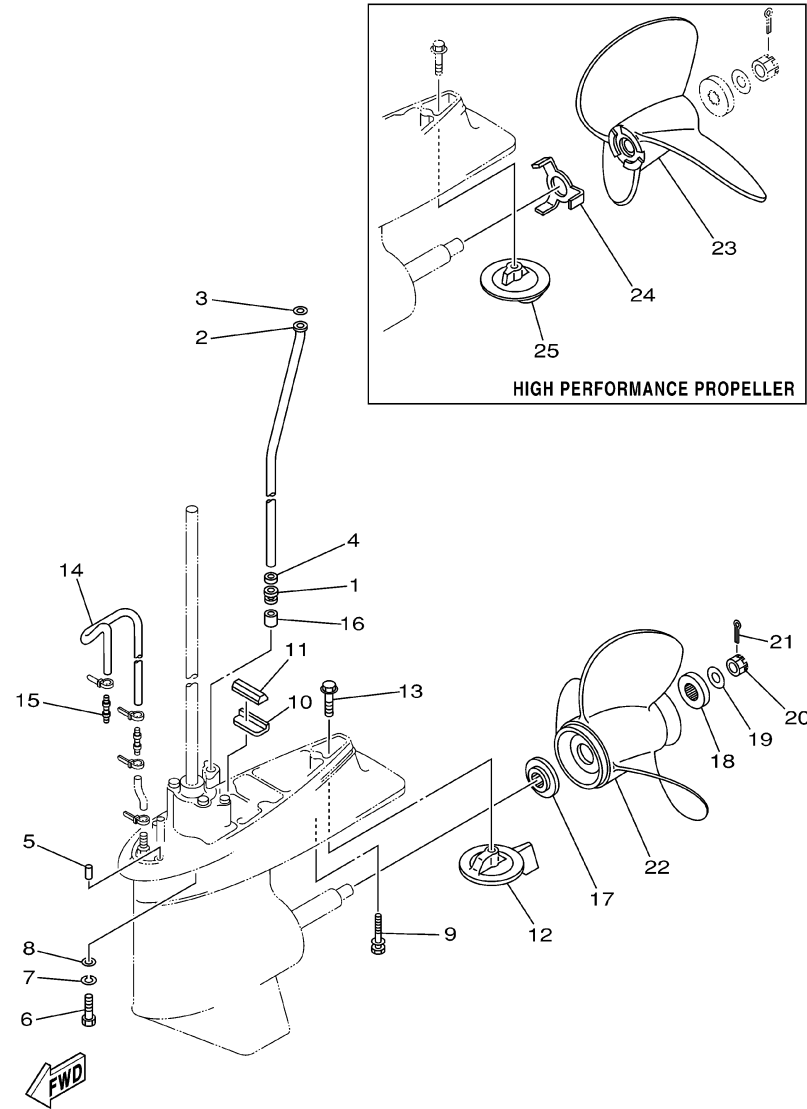
FIG. 21 LOWER CASING. DRIVE 3



6H30100-0210

REF. NO.	PART NO.	DESCRIPTION	60ET	6ETO	7ETO	REMARKS
1	663-44367-00	DAMPER, WATER SEAL	1	1	1	
2	6H3-44361-10	TUBE, WATER	1	1	1	L
3	90202-12060	WASHER, PLATE	1	1	1	
4	90430-12072	GASKET	1	1	1	
5	93606-12019	PIN, DOWEL	2	2	2	
6	97075-10040	BOLT	4	4	4	L
7	92990-10100	WASHER, SPRING	4	4	4	
8	92990-10600	WASHER, PLATE	4	4	4	
9	90119-08M84	BOLT, WITH WASHER	1	1	1	L
10	663-45376-00-94	GUIDE, SEAL DAMPER	1	1	1	
11	688-45375-00	DAMPER, SEAL	1	1	1	
12	688-45371-02	TAB-TRIM	1	1	1	
13	90105-10M67	BOLT, FLANGE	1	1	1	
14	90445-07MF1	HOSE (L570)	1	1	1	
15	6E5-83558-00	END, NIPPLE	1	1	1	
16	663-44366-00	DAMPER, WATER SEAL	1	1	1	
17	688-45987-01	SPACER	1	1	1	
18	688-45997-01	SPACER	1	1	1	
19	90201-17M00	WASHER, PLATE	1	1	1	
20	90171-16011	NUT, CASTLE	1	1	1	
21	91490-40025	PIN, COTTER	1	1	1	
22	6E5-45941-00-EL	PROPELLER (3X13"X19"-K)	1	1	1	UR
	6E5-45943-00-EL	PROPELLER (3X12-5/8"X21"-K)	1	1	1	UR
	6E5-45945-01-EL	PROPELLER (3X13-1/4"X17"-K)	1	1	1	UR
	6E5-45947-00-EL	PROPELLER (3X13-1/2"X15"-K)	1	1	1	UR
	6E5-45949-00-EL	PROPELLER (3X13-5/8"X13"-K)	1	1	1	UR
	6E5-45952-00-EL	PROPELLER (3X13"X23"-K)	1	1	1	UR

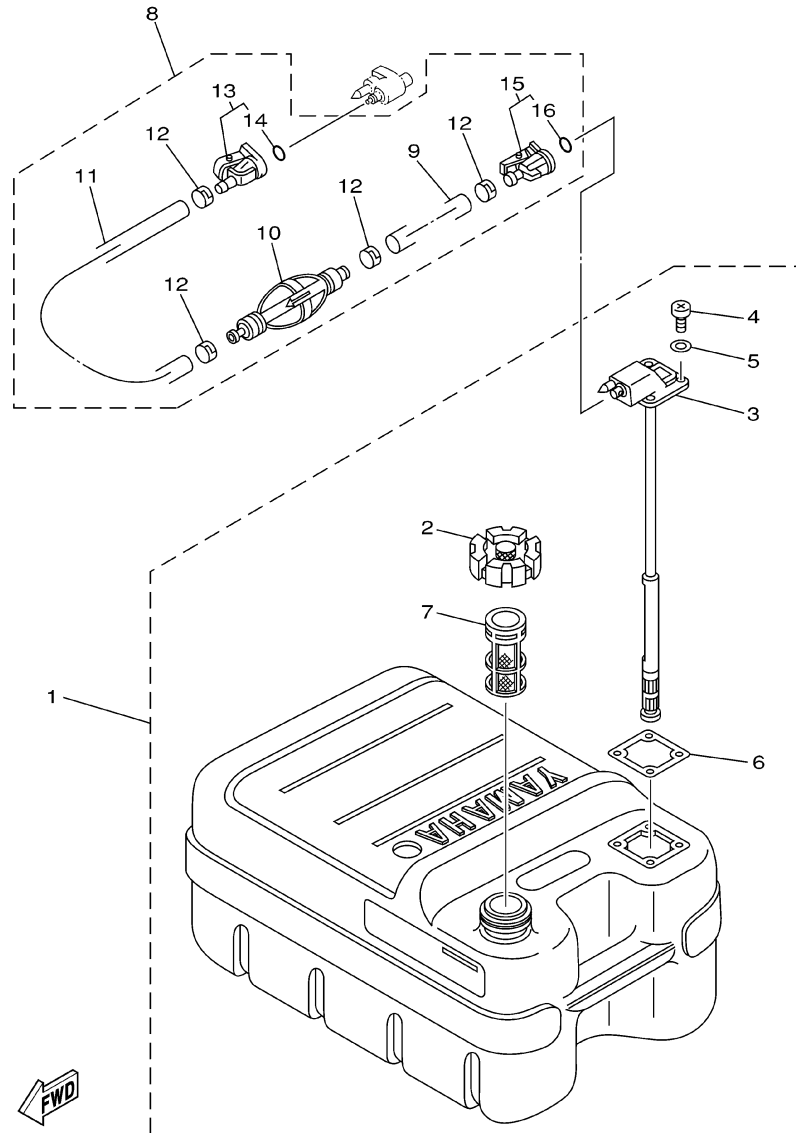
FIG. 21 LOWER CASING, DRIVE 3



6H30100-0210

REF. NO.	PART NO.	DESCRIPTION	60ET	6ETO	7ETO	REMARKS
22	6E5-45954-00-EL	PROPELLER (3X14"X11"-K)	1	1	1	UR
	6E5-45956-00-EL	PROPELLER (3X13"X25"-K)	1	1	1	UR
	STAINLESS STEEL PROPELLER					
	688-45930-02-98	PROPELLER (3X13"X17"-K)	1	1	1	UR
	688-45970-03-98	PROPELLER (3X13"X19"-K)	1	1	1	UR
	688-45972-02-98	PROPELLER (3X13"X21"-K)	1	1	1	UR
	688-45974-02-98	PROPELLER (3X13"X23"-K)	1	1	1	UR
	688-45976-01-98	PROPELLER (3X13"X25"-K)	1	1	1	UR
	688-45932-60-98	PROPELLER (3X13-1/2"X14"-K)	1	1	1	UR
	688-45978-60-98	PROPELLER (3X13-1/2"X16"-K)	1	1	1	UR
	HIGH PERFORMANCE PROPELLER					
23	6E5-45970-10	PROPELLER (3X14"X20"-P)	1	1	1	UR
	6E5-45972-10	PROPELLER (3X14"X24"-P)	1	1	1	UR
	6E5-45974-10	PROPELLER (3X14"X28"-P)	1	1	1	UR
	6E5-45976-10	PROPELLER (3X14"X22"-P)	1	1	1	UR
	6E5-45978-10	PROPELLER (3X14"X26"-P)	1	1	1	UR
24	6E5-45994-10	PLATE, TOOTH	1	1	1	
25	6E5-45371-10	TAB-TRIM	1	1	1	

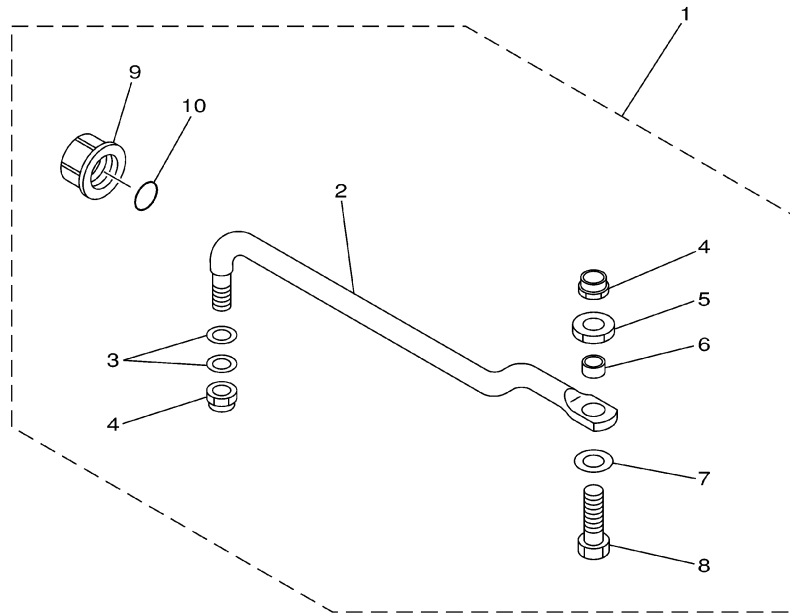
FIG. 22 FUEL TANK



67C0100-9300

REF. NO.	PART NO.	DESCRIPTION	60ET	6ETO	7ETO	REMARKS
1	6YJ-24201-10	FUEL TANK ASSY (24L)	1	1	1	AP WITH INDICATOR
2	6YJ-24610-01	.CAP ASSY	1	1	1	
3	6Y1-24260-12	.FUEL METER ASSY	1	1	1	WITH INDICATOR
4	98586-05016	.SCREW, PAN HEAD	4	4	4	
5	6Y1-24329-00	.SEAL	4	4	4	
6	6Y1-24268-00	.GASKET, FUEL METER	1	1	1	
7	6YJ-24167-00	.STRAINER	1	1	1	
8	61J-24306-02	FUEL PIPE COMP. 1	1	1	1	AP
9	90445-11M06	.HOSE (L2050)	1	1	1	
10	61J-24360-00	.PRIMER PUMP ASSY	1	1	1	
11	90445-11M05	.HOSE (L:850MM)	1	1	1	
12	650-24351-51	.BAND 1	4	4	4	
13	6G1-24305-03	.FUEL PIPE JOINT COMP. 2	1	1	1	
14	93210-08287	..O-RING	1	1	1	
15	6Y1-24305-04	.FUEL PIPE JOINT COMP. 2	1	1	1	
16	93210-08287	..O-RING	1	1	1	

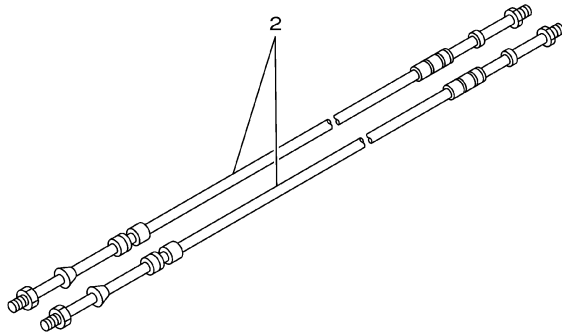
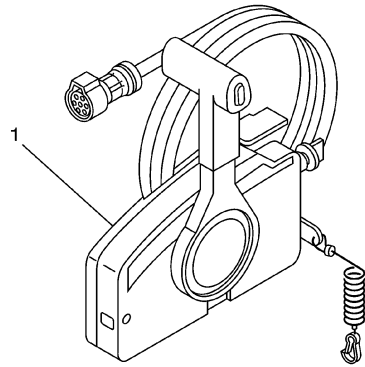
FIG. 23 STEERING GUIDE



REF. NO.	PART NO.	DESCRIPTION	60ET	6ETO	7ETO	REMARKS
1	688-61350-10	STEERING GUIDE ATTACHMENT KIT	1	1	1	AP
2	688-61351-10	.ROD, STEERING LINK	1	1	1	
3	90201-10M20	.WASHER, PLATE	2	2	2	
4	90185-09M01	.NUT, SELF-LOCKING	2	2	2	
5	90170-09M03	.NUT	1	1	1	
6	90387-10M42	.COLLAR	1	1	1	
7	90201-10M63	.WASHER, PLATE	1	1	1	
8	6E5-61355-00	.BOLT	1	1	1	
9	6E5-43145-01	.CAP, CLAMP BRACKET	1	1	1	
10	93210-16275	.O-RING	1	1	1	

6880700-9190

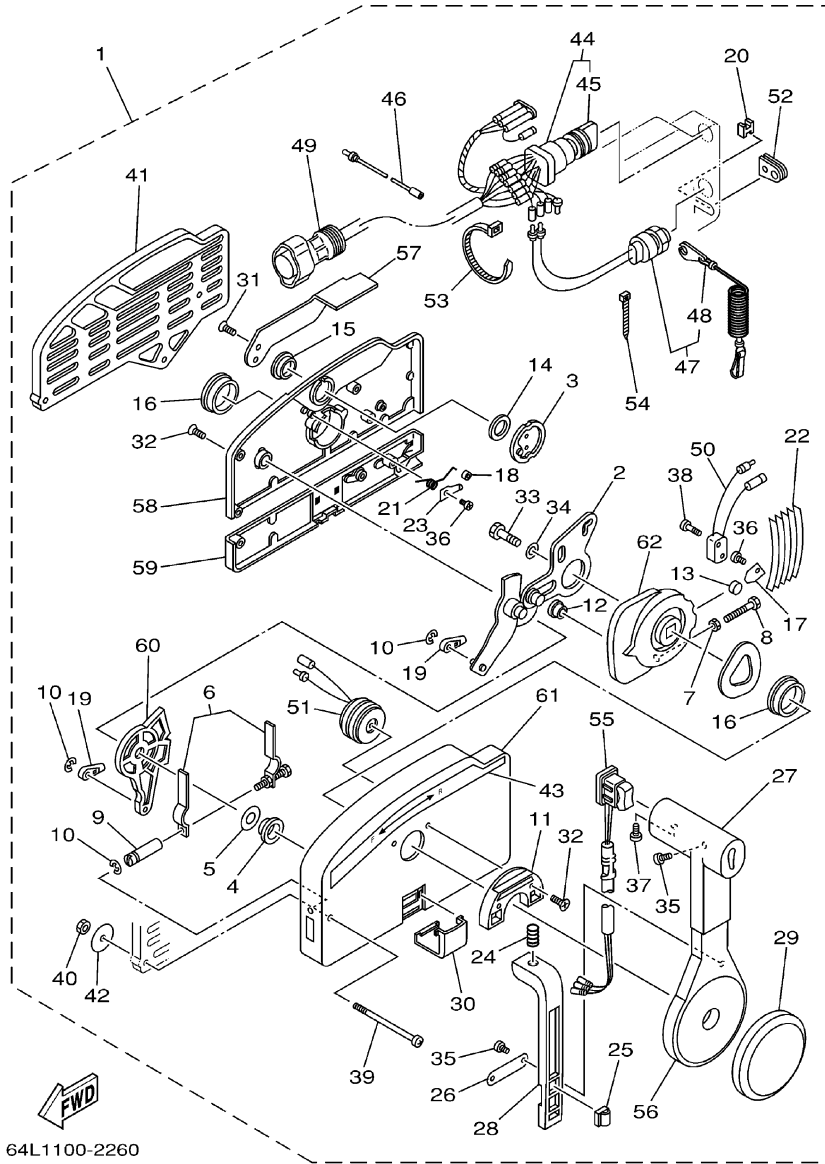
FIG. 24 REMOTE CONTROL BOX



67M0100-8280

REF. NO.	PART NO.	DESCRIPTION	60ET	6ETO	7ETO	REMARKS
1	703-48205-17	REMOTE CONTROL ASSY	1	1	1	AP WITH PT/T SW.
2	701-48320-00	CABLE, REMOTE CONTROL L=12F	2	2	2	UR
	701-48320-20	CABLE, REMOTE CONTROL L=13F	2	2	2	UR
	701-48320-30	CABLE, REMOTE CONTROL L=14F	2	2	2	UR
	701-48320-50	CABLE, REMOTE CONTROL L=15F	2	2	2	UR
	701-48320-60	CABLE, REMOTE CONTROL L=16F	2	2	2	UR
	701-48320-80	CABLE, REMOTE CONTROL L=17F	2	2	2	UR

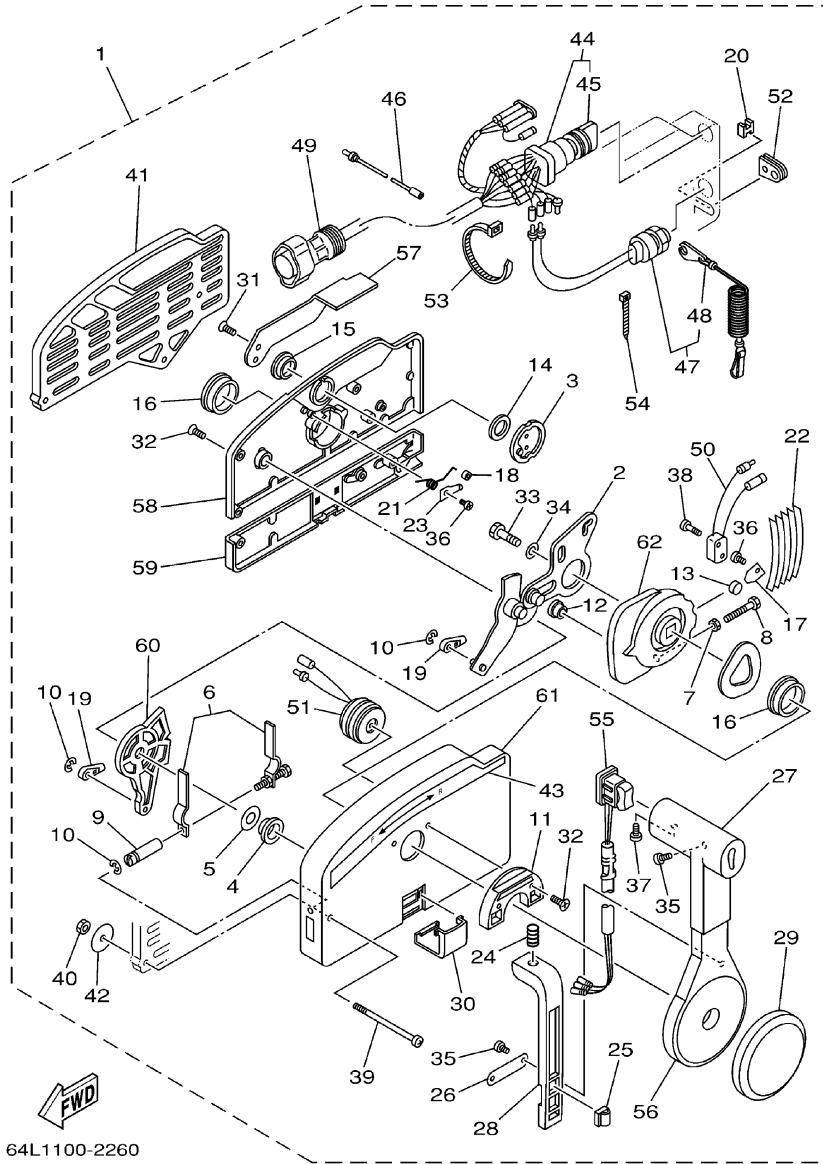
FIG. 25 REMOTE CONTROL ASSY



64L1100-2260

REF. NO.	PART NO.	DESCRIPTION	60ET	6ETO	7ETO	REMARKS
1	703-48205-17	REMOTE CONTROL ASSY	1	1	1	AP WITH PT/T SW.
2	703-48261-01	.ARM, THROTTLE	1	1	1	
3	703-48153-00	.SHAFT, FREE ACCEL.	1	1	1	
4	703-48235-00	.BUSHING	1	1	1	
5	703-48268-00	.SPACER	1	1	1	
6	703-48264-00	.THROTTLE, FRICTION	1	1	1	
7	95380-05600	.NUT	1	1	1	
8	97380-05025	.BOLT	1	1	1	
9	703-48265-00	.SHAFT, FRICTION	1	1	1	
10	93430-06024	.CIRCLIP	3	3	3	
11	703-48245-00	.PLATE, LOCK	1	1	1	
12	703-48252-00	.ROLLER, CAM	1	1	1	
13	701-48248-00	.ROLLER, FREE ACCEL.	1	1	1	
14	703-48198-00	.WASHER, WAVE	1	1	1	
15	703-48243-00	.BUSHING	1	1	1	
16	703-48236-00	.BUSHING 1	2	2	2	
17	703-48189-00	.RETAINER	1	1	1	
18	703-48234-00	.ROLLER, DETENT	1	1	1	
19	703-48345-01	.CABLE END,REMOTE CONTROL 2	2	2	2	
20	703-48358-00	.ANCHOR, CABLE	1	1	1	
21	703-48244-00	.SPRING, FREE ACCEL.	1	1	1	
22	703-48238-00	.SPRING, DETENT	5	5	5	
23	703-48246-00	.SPACER	1	1	1	
24	703-48227-00	.SPRING, NEUTRAL LOCK	1	1	1	
25	703-82594-00	.CLAMP	1	1	1	WITH PT/T SW.
26	703-48226-00	.PLATE, STOPPER	1	1	1	
27	703-48222-00	.GRIP, CONTROL LEVER	1	1	1	SINGLE

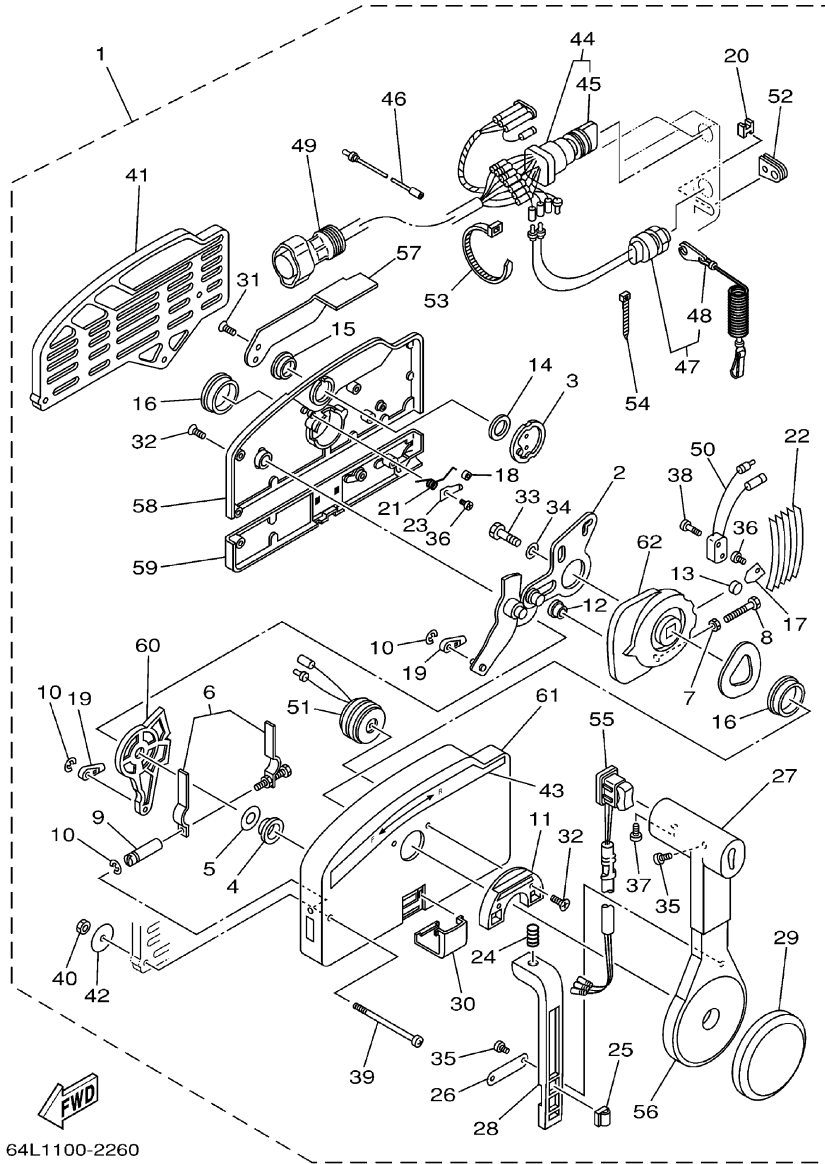
FIG. 25 REMOTE CONTROL ASSY



64L1100-2260

REF. NO.	PART NO.	DESCRIPTION	60ET	6ETO	7ETO	REMARKS
28	703-48223-00	.LOCK, NEUTRAL	1	1	1	
29	703-48225-00	.COVER	1	1	1	
30	703-48219-00	.COVER, LEAD	1	1	1	
31	703-48281-00	.SCREW	2	2	2	
32	703-48282-00	.SCREW	7	7	7	
33	97380-08030	.BOLT	1	1	1	
34	92990-08600	.WASHER, PLATE	1	1	1	
35	98580-04010	.SCREW, PAN HEAD	3	3	3	
36	98580-04006	.SCREW, PAN HEAD	2	2	2	
37	98580-05010	.SCREW, PAN HEAD	1	1	1	
38	98580-03015	.SCREW, PAN HEAD	2	2	2	
39	703-48291-10	.SCREW (M6)	3	3	3	
40	95380-06600	.NUT, HEXAGON	3	3	3	
41	703-48293-10	.SPACER, REMOTE CONTROL	1	1	1	SINGLE
42	701-48287-00	.WASHER	3	3	3	
43	703-48215-00	.GRAPHIC	1	1	1	
44	703-82510-43	.MAIN SWITCH ASSY	1	1	1	
45	703-82577-00	..CAP, KEY	1	1	1	
46	703-82531-00	.WIRE, LEAD	1	1	1	
47	688-82575-01	.ENGINE STOP SWITCH ASSY	1	1	1	
48	682-82556-00	..STOPPER	1	1	1	
49	688-8258A-20	.EXTENSION, WIRE HARNESS	1	1	1	L:5M (10P)
50	703-82540-00	.NEUTRAL SWITCH ASSY	1	1	1	
51	703-83383-02	.BUZZER	1	1	1	
52	703-48284-00	.GROMMET	1	1	1	
53	703-82591-00	.BAND	1	1	1	
54	703-82592-00	.BAND	1	1	1	

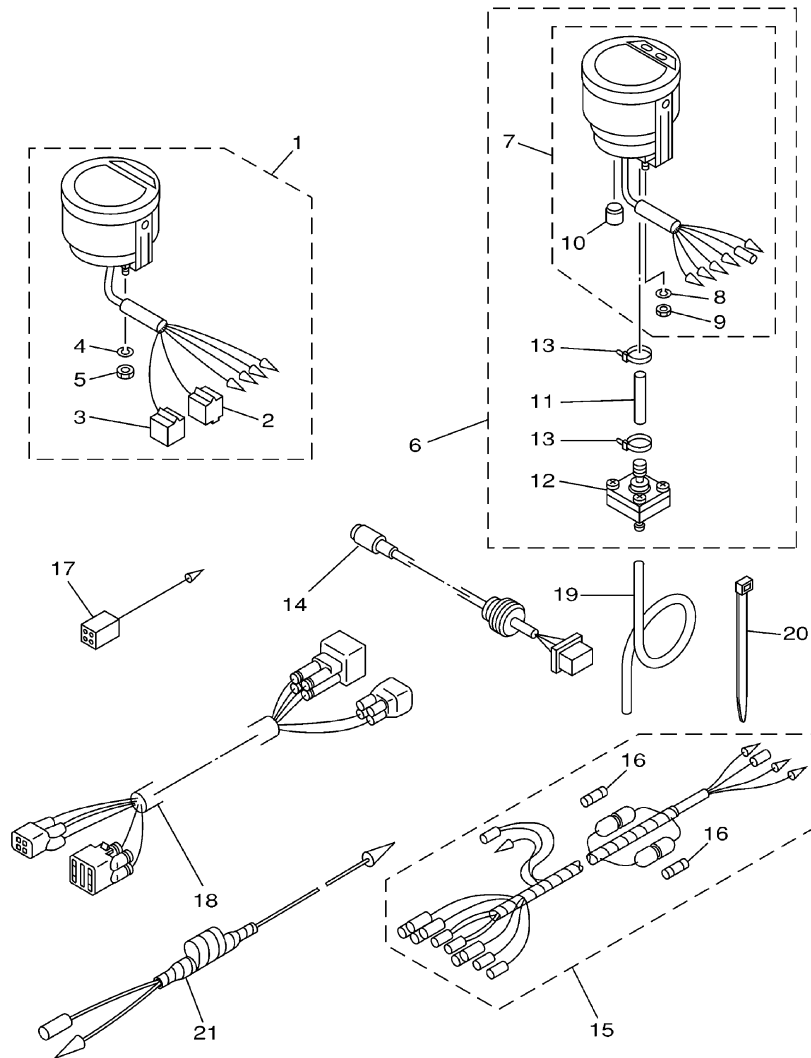
FIG. 25 REMOTE CONTROL ASSY



64L1100-2260

REF. NO.	PART NO.	DESCRIPTION	60ET	6ETO	7ETO	REMARKS
55	703-82563-02	.TRIM & TILT SWITCH ASSY	1	1	1	
56	703-48221-00	.LEVER, CONTROL	1	1	1	
57	703-48152-00	.KNOB, FREE ACCEL.	1	1	1	
58	703-48212-00	.BACK PLATE 1	1	1	1	
59	703-48213-00	.BACK PLATE 2	1	1	1	
60	703-48271-00	.ARM, SHIFT	1	1	1	
61	703-48211-01	.HOUSING,1	1	1	1	
62	703-48232-00	.GEAR	1	1	1	

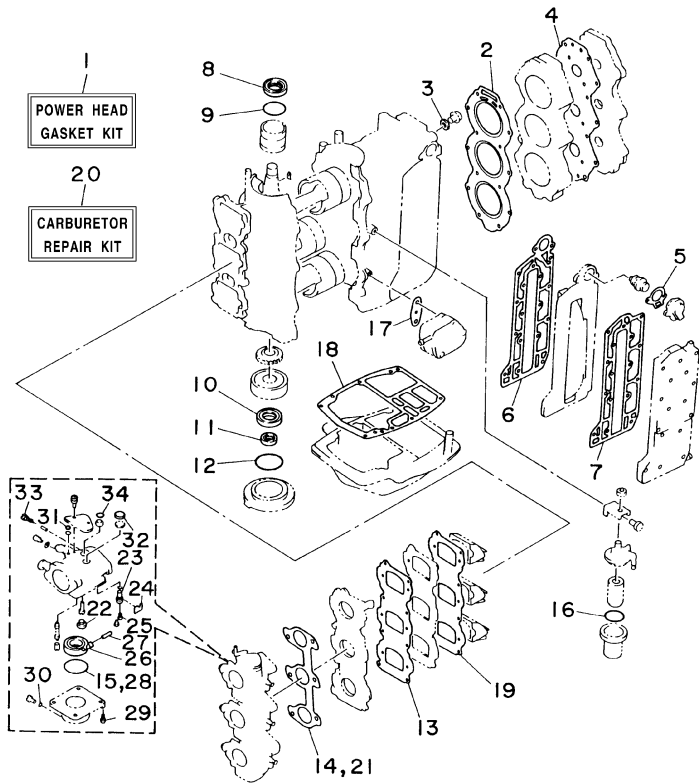
FIG. 26 METER



6H31700-2260

REF. NO.	PART NO.	DESCRIPTION	60ET	6ETO	7ETO	REMARKS
1	6Y5-8350T-00	DIGITAL TACHOMETER ASSY		1	1	AP
2	9E450-04433	.CONNECTOR		1	1	M-4-W
3	9E450-04533	.CONNECTOR		1	1	F-4-W
4	92990-04100	.WASHER, SPRING		2	2	
5	95380-04600	.NUT		2	2	
6	6Y5-83500-S5	DIGITAL SPEEDOMETER ASSY		1	1	AP
7	6Y5-83570-S5	.SPEEDOMETER ASSY		1	1	
8	92990-04100	..WASHER, SPRING		2	2	
9	95380-04600	..NUT		2	2	
10	6Y5-83533-T2	..GROMMET		1	1	
11	6Y5-83557-31	.TUBE		1	1	
12	6Y5-83728-00	.CONNECTOR ASSY		1	1	
13	90465-11M10	.CLAMP		2	2	
14	6Y5-87122-S0	CORD ASSY 1		1	1	AP
15	6Y5-83553-M0	WIRE, LEAD		1	1	AP
16	1E6-82151-00	.FUSE (10A)		2	2	
17	6Y5-82117-00	WIRE, LEAD (BLACK)		1	1	AP
18	68F-82553-80	EXTENSION, WIRE LEAD		1	1	AP
19	6Y5-83557-10	TUBE (8M)		1	1	AP
20	90465-11M10	CLAMP		2	2	AP
21	6H4-81315-11	LEAD WIRE ASSY		1	1	AP

FIG. 27 REPAIR KIT 1



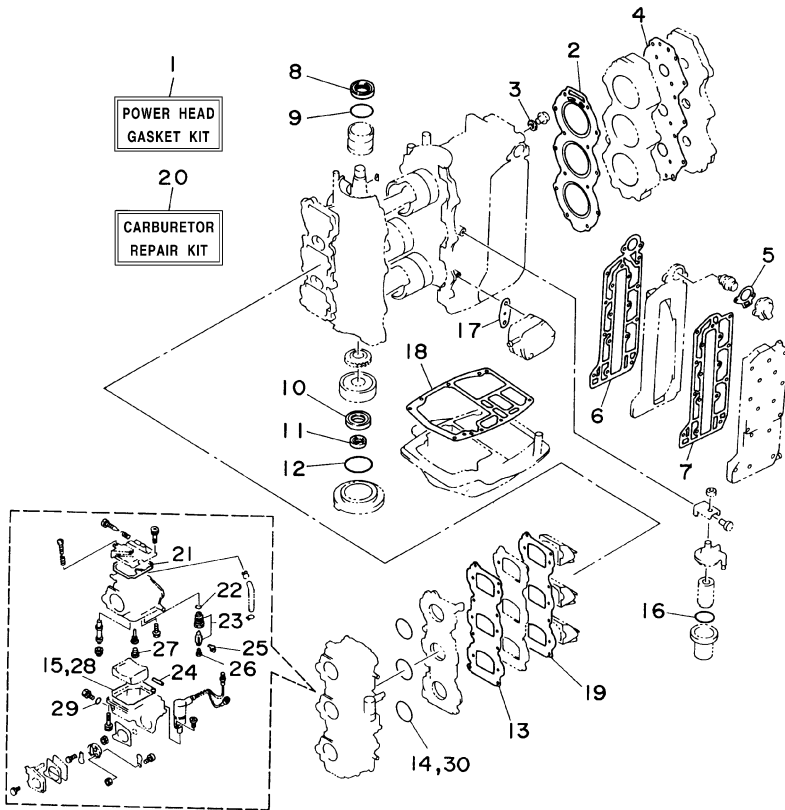
REF. NO.	PART NO.	DESCRIPTION	60ET	6ETO	7ETO	REMARKS
1	6H3-W0001-03	POWER HEAD GASKET KIT	1			MANUAL CHOKE
2	6H3-11181-A1	.GASKET, CYLINDER HEAD 1	1			
3	90430-14115	.GASKET	1			
4	6H3-11193-A1	.GASKET, HEAD COVER 1	1			
5	6H3-12414-A1	.GASKET, COVER	1			
6	6H3-41112-A0	.GASKET, EXHAUST INNER COVER	1			
7	6H3-41114-A0	.GASKET, EXHAUST OUTER COVER	1			
8	93102-36M24	.OIL SEAL	1			
9	93210-46M16	.O-RING	1			
10	93102-30M23	.OIL SEAL	1			
11	93106-18M01	.OIL SEAL	1			
12	93210-65M50	.O-RING	1			
13	6H3-13621-A1	.GASKET, VALVE SEAT	1			
14	6H3-14198-A1	.GASKET	3			
15	6G1-14984-00	.O-RING	3			
16	93210-32738	.O-RING	1			
17	650-24431-A0	.GASKET, FUEL PUMP 1	1			
18	6H3-45113-A0	.GASKET, UPPER CASING	1			
19	6H3-13622-A1	.GASKET, VALVE SEAT	1			
20	6H2-W0093-02	CARBURETOR REPAIR KIT	1			MANUAL CHOKE
21	6H3-14198-A1	.GASKET	1			
22	676-14966-00	.CAP	3			
23	6H3-14590-00	.NEEDLE VALVE ASSY	3			
24	663-14159-00	.CLIP	3			
25	676-14186-00	.PIN, FLOAT	3			
26	6G1-14985-00	.FLOAT	3			
27	688-14548-00	.PIN, FLOAT ARM	3			



6H20010-4180

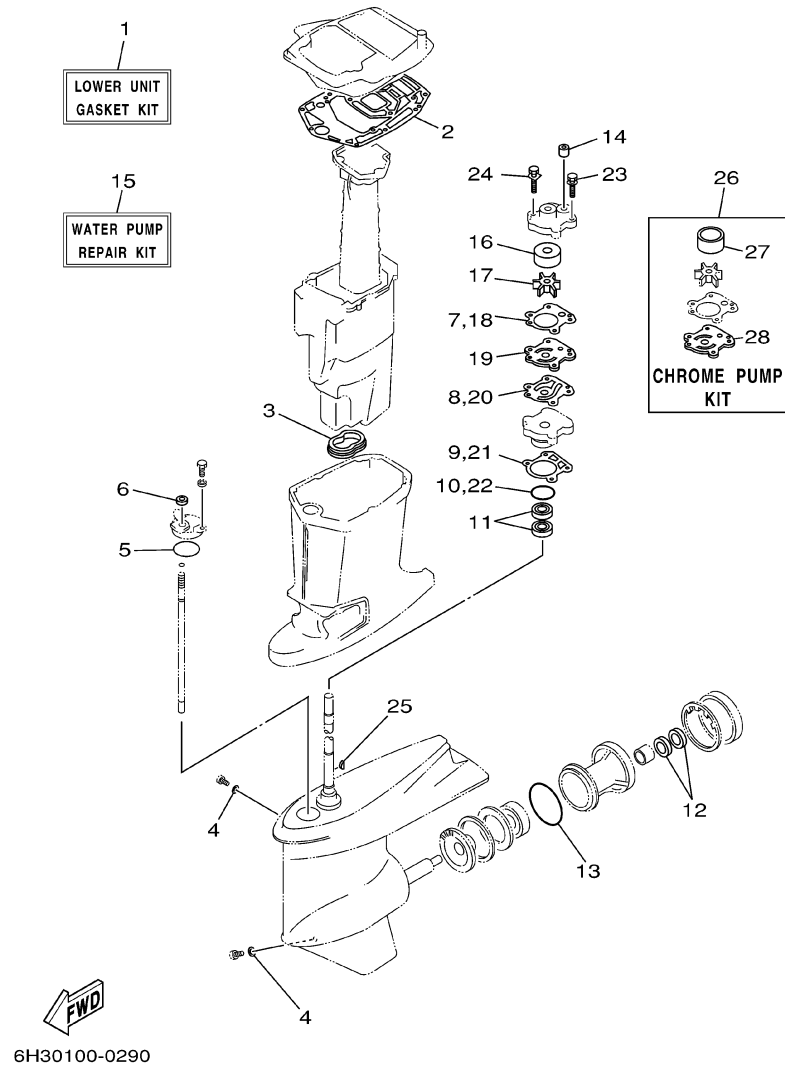
C1

FIG. 28 REPAIR KIT 2



REF. NO.	PART NO.	DESCRIPTION	60ET	6ET0	7ET0	REMARKS
1	6H3-W0001-02	POWER HEAD GASKET KIT		1	1	AUTO CHOKE
2	6H3-11181-A1	.GASKET, CYLINDER HEAD 1		1	1	
3	90430-14115	.GASKET		1	1	
4	6H3-11193-A1	.GASKET, HEAD COVER 1		1	1	
5	6H3-12414-A1	.GASKET, COVER		1	1	
6	6H3-41112-A0	.GASKET, EXHAUST INNER COVER		1	1	
7	6H3-41114-A0	.GASKET, EXHAUST OUTER COVER		1	1	
8	93102-36M24	.OIL SEAL		1	1	
9	93210-46M16	.O-RING		1	1	
10	93102-30M23	.OIL SEAL		1	1	
11	93106-18M01	.OIL SEAL		1	1	
12	93210-65M50	.O-RING		1	1	
13	6H3-13621-A1	.GASKET, VALVE SEAT		1	1	
14	93210-39ME4	.O-RING		3	3	
15	6H4-14984-00	.GASKET, FLOAT CHAMBER		3	3	
16	93210-32738	.O-RING		1	1	
17	650-24431-A0	.GASKET, FUEL PUMP 1		1	1	
18	6H3-45113-A0	.GASKET, UPPER CASING		1	1	
19	6H3-13622-A1	.GASKET, VALVE SEAT		1	1	
20	6H2-W0093-10	CARBURETOR REPAIR KIT		1	1	AUTO CHOKE
21	6H4-14147-00	.O-RING		1	1	
22	93210-04228	.O-RING		1	1	
23	6H3-14590-00	.NEEDLE VALVE ASSY		1	1	
24	6H4-14548-00	.PIN, FLOAT ARM		1	1	
25	663-14159-00	.CLIP		1	1	
26	676-14186-00	.PIN, FLOAT		1	1	
27	676-14966-00	.CAP		1	1	

FIG. 29 REPAIR KIT 3



REF. NO.	PART NO.	DESCRIPTION	60ET	6ETO	7ETO	REMARKS
1	6H3-W0001-22	LOWER UNIT GASKET KIT	1	1	1	
2	6H3-45114-A1	.GASKET, UPPER CASING	1	1	1	
3	6H3-45123-00	.GASKET, MUFFLER	1	1	1	
4	90430-08020	.GASKET	2	2	2	
5	93210-49046	.O-RING	1	1	1	
6	93106-09014	.OIL SEAL	1	1	1	
7	6H3-44315-A0	.GASKET, WATER PUMP	1	1	1	
8	6H3-44324-A0	.GASKET, CARTRIDGE	1	1	1	
9	688-44316-A0	.GASKET, WATER PUMP	1	1	1	
10	93210-46044	.O-RING	1	1	1	
11	93101-23070	.OIL SEAL	2	2	2	
12	93101-25M03	.OIL SEAL	2	2	2	
13	93210-85M97	.O-RING	1	1	1	
14	663-44366-00	.DAMPER, WATER SEAL	1	1	1	
15	6H3-W0078-02	WATER PUMP REPAIR KIT	1	1	1	
16	663-44322-00	.INSERT, CARTRIDGE	1	1	1	
17	6H3-44352-00	.IMPELLER	1	1	1	
18	6H3-44315-A0	.GASKET, WATER PUMP	1	1	1	
19	6H3-44323-00	.OUTER PLATE, CARTRIDGE	1	1	1	
20	6H3-44324-A0	.GASKET, CARTRIDGE	1	1	1	
21	688-44316-A0	.GASKET, WATER PUMP	1	1	1	
22	93210-46044	.O-RING	1	1	1	
23	90119-08M14	.BOLT, WITH WASHER	2	2	2	
24	90119-08M33	.BOLT, WITH WASHER	2	2	2	
25	90280-03M03	.KEY, WOODRUFF	1	1	1	
26	6H3-W0078-1A	CHROME PUMP KIT	1	1	1	
27	663-44322-40	.INSERT, CARTRIDGE	1	1	1	

NUMERICAL INDEX

PARTNO.	REF. NO.	PARTNO.	REF. NO.	PARTNO.	REF. NO.	PARTNO.	REF. NO.	PARTNO.	REF. NO.	PARTNO.	REF. NO.
6H3-W0001-02	28 - 1	6J8-13411-00	8 - 40	6H3-14303-0A	7 - 3	6H3-14948-17	7 - 23	61J-24360-00	22 - 10	6H4-41237-00	14 - 21
6H3-W0001-03	27 - 1	6J8-13414-00	8 - 41	6A0-14325-00	9 - 25	676-14966-00	6 - 7	6E5-24367-01	13 - 24	682-41237-00	14 - 2
6H3-W0001-22	29 - 1	6H1-13435-00	8 - 42	6H3-14349-00	5 - 16		7 - 22		13 - 37	6H3-41241-01	8 - 20
688-W0004-00	4 - 2	6H3-13436-40	1 - 18		7 - 32		27 - 22	6E5-24378-00	8 - 55	6H3-41257-00	4 - 13
	5 - 2	6H3-13437-21	10 - 21	6H3-14380-00	7 - 33		28 - 27	650-24378-00	2 - 6	661-41262-02	4 - 14
6H3-W0070-30	1 - 17	6H2-13610-00	4 - 1	6H3-14413-10	4 - 18	6H2-14980-00	6 - 15	688-24378-00	9 - 32		4 - 17
6H3-W0070-50	1 - 17		5 - 1		5 - 18	6H3-14980-10	7 - 28	692-24410-00	9 - 15	6H3-41271-00	4 - 15
6H3-W0078-02	29 - 15	6H3-13610-00	5 - 1	6H3-14440-02	4 - 19	6H4-14980-00	7 - 27	6H3-24411-10	7 - 40	689-41273-00	4 - 16
6H3-W0078-1A	29 - 26	6H3-13621-A1	4 - 6		5 - 19	6G1-14984-00	6 - 14	663-24411-00	9 - 20	6H3-41631-00	14 - 4
6H3-W0090-31-1S	2 - 1		5 - 7	6H3-14457-01	4 - 20		27 - 15	692-24411-00	9 - 17	6H3-41632-20	14 - 10
6H3-W0090-43-1S	2 - 1		27 - 13		5 - 20		27 - 28	6A0-24412-02	9 - 26	6H3-41633-10	14 - 12
6H2-W0093-02	27 - 20		28 - 13	6H1-14485-00	5 - 6	6H4-14984-00	7 - 24	6A0-24413-00	9 - 16	6H3-41636-10-94	14 - 16
6H2-W0093-10	28 - 20	6H3-13622-A1	4 - 8	624-14485-00	2 - 5		28 - 15	6H4-24413-00	7 - 38	689-42169-01	14 - 1
656-W2810-02	9 - 38		5 - 9	6H3-14488-00	10 - 20		28 - 28	6A0-24421-01	9 - 24		14 - 20
6H3-11111-01-1S	2 - 25		27 - 19	63V-14523-00	6 - 29	6G1-14985-00	6 - 12	6L5-24421-00	7 - 37	6H3-42510-12-4D	16 - 3
688-11119-01	2 - 21		28 - 19		7 - 5		27 - 26	650-24431-A0	9 - 27	624-42542-00	8 - 48
6H3-11181-A1	2 - 26	6H3-13624-00-94	4 - 7	6H2-14527-01	6 - 23	6H4-14985-01	7 - 19		27 - 17	6H2-42610-50-4D	1 - 1
	27 - 2		5 - 8	663-14527-00	6 - 20	6H3-14992-00	6 - 17		28 - 17	6H2-42610-90-4D	1 - 1
	28 - 2	6H3-13641-03-94	4 - 5	688-14527-00	6 - 22		7 - 25	6H3-24434-10	7 - 41	6H3-42610-60-4D	1 - 1
6H3-11191-00-1S	2 - 27	6H3-13641-13-94	5 - 5	6H4-14548-00	7 - 15	6B0-15100-02-1S	2 - 2	648-24434-01	9 - 18	6H3-42613-01-4D	1 - 11
6H3-11193-A1	2 - 28	663-14126-00	6 - 19		28 - 24	6H3-15100-14-1S	2 - 2	648-24435-02	9 - 21	6H3-42615-00	1 - 14
	27 - 4		27 - 31	688-14548-00	6 - 13	6H3-15359-00-94	3 - 1	6H3-24452-10	7 - 29	6H3-42617-00	1 - 19
	28 - 4	688-14126-00	6 - 21		27 - 27	6H3-17578-00	6 - 31	6H4-24486-00	7 - 39	6H3-42617-10	1 - 19
6H3-11325-01	2 - 17		27 - 32	679-14555-00	6 - 26	6H3-21707-06	8 - 26	61N-24521-00	9 - 8	6H3-42619-00	1 - 20
6H3-11327-00-1S	2 - 18	6H3-14137-00	7 - 31	697-14555-00	7 - 12	6H3-21732-00	1 - 24	61N-24560-00	9 - 6	6H3-42627-00	1 - 21
6H3-11328-00	2 - 19	6H3-14146-10	7 - 9	6H4-14567-00	7 - 30	6H3-21735-00	1 - 25	61N-24563-00	9 - 7	6H3-42637-00	1 - 22
650-11370-00	2 - 4	6H4-14146-00	7 - 8	6H2-14578-00	7 - 7	6J8-21744-00	8 - 53	648-24566-02	9 - 10	6H3-42647-00-94	1 - 3
688-11370-00	2 - 3	6H4-14147-00	7 - 10	6H3-14578-00	6 - 32	63D-2175R-00	8 - 35	6YJ-24610-01	22 - 2	6H3-42649-00-94	1 - 4
6H3-11400-03	3 - 7		28 - 21	6H3-14590-00	6 - 8	6H3-21752-00	8 - 32	6H1-24633-00	8 - 39	6H3-42652-00	1 - 6
6H3-11400-11	3 - 7	663-14159-00	6 - 9		7 - 14	6H1-21757-00	8 - 38	6E0-28193-00-94	9 - 39	663-42662-00	1 - 5
6H3-11536-00	3 - 12		7 - 17		27 - 23	6J8-21758-00	8 - 37	6H3-41111-01-1S	2 - 36	6H2-42677-50	1 - 15
6H3-11537-01	8 - 16		27 - 24		28 - 23	63D-2176M-00	8 - 34	6H3-41112-A0	2 - 37	6H2-42677-60	1 - 15
6K5-11601-02	3 - 15		28 - 25	6K5-14592-00	6 - 27	6H1-21766-01	8 - 44		27 - 6	6H3-42677-60	1 - 15
6K5-11601-12	3 - 15	676-14186-00	6 - 10	6H3-14711-10-5B	18 - 14	63D-2177H-00	1 - 2		28 - 6	6H2-42678-30	1 - 16
6K5-11601-22	3 - 15		7 - 18	6H3-14737-10	18 - 20	6H4-21770-00	8 - 36	6H3-41113-02-1S	2 - 38	6H2-42678-50	1 - 16
6H3-11631-01-96	3 - 14		27 - 25	692-14923-00	6 - 25	6YJ-24167-00	22 - 7	6H3-41114-A0	2 - 39	6H3-42678-50	1 - 16
6H3-11633-00	3 - 16		28 - 26		7 - 11	6YJ-24201-10	22 - 1		27 - 7	6H3-42681-30	1 - 28
688-11634-10	3 - 17	6H3-14198-A1	4 - 11		27 - 33	6Y1-24260-12	22 - 3		28 - 7	6H3-42681-50	1 - 28
6H3-11635-01	3 - 14		27 - 14	6H3-14943-35	7 - 21	6Y1-24268-00	22 - 6	6H2-41131-00-5B	18 - 11	6H3-42682-30	1 - 29
6H3-11636-01	3 - 14		27 - 21	6H3-14943-36	7 - 21	6G1-24304-02	9 - 1	6H3-41131-00-5B	18 - 11	6H3-42682-50	1 - 29
6H3-12411-10	2 - 32	6H2-14301-0A	7 - 1	6H3-14943-37	7 - 21	6G1-24305-03	22 - 13	6H3-41137-01-94	18 - 5	6H1-42694-00	1 - 23
6H3-12413-00-1S	2 - 33	6H2-14301-10	6 - 1	676-14943-35	6 - 5	6Y1-24305-04	22 - 15	6H3-41213-10	14 - 23	6H3-42711-05-4D	13 - 1
6H3-12414-A1	2 - 34	6H3-14301-0A	7 - 1	676-14943-36	6 - 5	61J-24306-02	22 - 8	6H3-41217-00	4 - 12	6H3-42711-24-4D	13 - 1
	27 - 5	6H2-14302-0A	7 - 2	6H2-14947-71	7 - 20	663-24312-01	2 - 41		5 - 13	648-42715-00	14 - 28
	28 - 5	6H2-14302-10	6 - 2	6H3-14947-07	6 - 4	6H3-24313-00	9 - 33	6E9-41237-00	8 - 25	6H3-42716-02	13 - 12
6H1-13117-01	8 - 18	6H3-14302-0A	7 - 2	6H3-14947-71	7 - 20	6H3-24314-00	9 - 35	6F5-41237-00	14 - 15	6K5-42717-00	13 - 13
6E9-13183-70	8 - 11	6H2-14303-0A	7 - 3	6H3-14948-13	7 - 23	6Y1-24329-00	22 - 5	6H1-41237-00	8 - 21	6H3-42718-00	13 - 39
6H3-13200-02	8 - 1	6H2-14303-10	6 - 3	6H3-14948-16	6 - 6	650-24351-51	22 - 12		14 - 14	6E5-42724-00	13 - 14

NUMERICAL INDEX

PARTNO.	REF. NO.	PARTNO.	REF. NO.	PARTNO.	REF. NO.	PARTNO.	REF. NO.	PARTNO.	REF. NO.	PARTNO.	REF. NO.
6H3-42725-10	13 - 15	6H1-43822-10	17 - 58	688-44122-00	14 - 40	6H3-45113-A0	18 - 7	688-45567-01-15	20 - 7	688-45634-00	19 - 45
6H3-42725-30	13 - 15	6H1-43828-10	17 - 30	6H1-44144-00	20 - 58		27 - 18	688-45567-01-18	19 - 7	6H1-45635-00	20 - 50
688-42726-10	13 - 27	6H1-43829-00	17 - 36	6K5-44144-00	19 - 51		28 - 18		20 - 7	688-45635-00	19 - 47
6H3-42727-00	13 - 19	6H1-43830-11	17 - 49	6H1-44151-00	20 - 57	6H3-45114-A1	18 - 17	688-45567-01-30	19 - 7	6H1-45641-01	20 - 56
6H3-42738-01-5B	13 - 16	6H1-43831-10	17 - 48	663-44151-00	19 - 50		29 - 2		20 - 7	6H1-45668-00	20 - 49
6H3-42741-01-4D	13 - 31	6H1-43833-10	17 - 33	688-44194-00	14 - 7	663-45119-00	15 - 18	688-45567-01-40	19 - 7	688-45930-02-98	21 - 22
6G1-42748-00	13 - 30	6H1-43834-00	17 - 34	6H3-44311-00	19 - 25	6H3-45123-00	18 - 16		20 - 7	688-45932-60-98	21 - 22
6H3-42768-00	13 - 23	6H1-43835-10	17 - 29		20 - 25		29 - 3	688-45567-01-50	19 - 7	6E5-45941-00-EL	21 - 22
6H3-42771-01-4D	13 - 32	6H1-4384E-20	17 - 61	6H3-44315-A0	19 - 27	6H3-45127-00	18 - 15		20 - 7	6E5-45943-00-EL	21 - 22
6G5-42791-10	13 - 40	6H1-4384F-10	17 - 46		20 - 27	6H3-45155-00	18 - 3	6H3-45571-00	20 - 62	6E5-45945-01-EL	21 - 22
6R6-42791-40	13 - 41	6H1-4384G-11	17 - 45		29 - 7	6H1-45214-00	19 - 12	6K5-45571-00	19 - 54	6E5-45947-00-EL	21 - 22
6H3-42813-00	13 - 7	6H1-43840-11	17 - 17		29 - 18		20 - 12	688-45576-00	19 - 58	6E5-45949-00-EL	21 - 22
6H3-42815-01-4D	13 - 3	6H1-43841-11	17 - 42	688-44316-A0	19 - 33	6H1-45215-00	19 - 13		20 - 66	6E5-45952-00-EL	21 - 22
6H3-42816-00	13 - 9	6H1-43843-11	17 - 72		20 - 33		20 - 13	688-45577-01-10	19 - 57	6E5-45954-00-EL	21 - 22
6H3-42817-01-4D	13 - 4	6H1-43844-10	17 - 44		29 - 9	6H1-45251-03	15 - 2		20 - 65	6E5-45956-00-EL	21 - 22
6H3-42818-00	13 - 10	6H1-43845-00	17 - 55		29 - 21	6H3-45300-E4-4D	19 - 1	688-45577-01-12	19 - 57	6E5-45970-10	21 - 23
6H1-43111-01-4D	15 - 1	6H1-43847-00	17 - 50	663-44322-00	19 - 26	6H3-45300-15-4D	20 - 1		20 - 65	688-45970-03-98	21 - 22
6H1-43112-00-4D	15 - 11	6H1-4385H-00	17 - 78		20 - 26	6H1-45301-03-4D	20 - 2	688-45577-01-15	19 - 57	6E5-45972-10	21 - 23
6E5-43126-02	15 - 35	6H1-43854-00	17 - 53		29 - 16	6H1-45301-12-4D	19 - 2		20 - 65	688-45972-02-98	21 - 22
688-43131-03	15 - 21	6H1-43855-11	17 - 71	663-44322-40	29 - 27	688-45321-00	19 - 16	688-45577-01-18	19 - 57	6E5-45974-10	21 - 23
6G5-43144-00	15 - 42	6H1-43856-10	17 - 43	6H3-44323-00	19 - 34		20 - 16		20 - 65	688-45974-02-98	21 - 22
6E5-43145-01	23 - 9	6H1-4386K-10	17 - 9		20 - 34	688-45331-00-94	19 - 55	688-45577-01-30	19 - 57	6E5-45976-10	21 - 23
6G5-43145-01	15 - 25	6H1-43861-00	17 - 21		29 - 19		20 - 63		20 - 65	688-45976-01-98	21 - 22
6G5-43148-00	15 - 40	6H1-43861-10	17 - 18	6H3-44323-40	29 - 28	688-45341-00	19 - 10	688-45577-01-40	19 - 57	6E5-45978-10	21 - 23
688-43160-01	15 - 31		17 - 22	6H3-44324-A0	19 - 35		20 - 10		20 - 65	688-45978-60-98	21 - 22
688-43165-00	15 - 32		17 - 60		20 - 35	6E5-45371-10	21 - 25	688-45577-01-50	19 - 57	688-45987-01	21 - 17
6H1-43181-01	15 - 26	6H1-43864-00	17 - 65		29 - 8	688-45371-02	21 - 12		20 - 65	6E5-45994-10	21 - 24
6H1-43185-01	15 - 27	6H1-43865-10	17 - 16		29 - 20	688-45375-00	21 - 11	688-45587-01-10	19 - 5	688-45997-01	21 - 18
6H1-43311-01-4D	15 - 16	6H1-43866-00	17 - 40	6H3-44341-00-94	19 - 30	663-45376-00-94	21 - 10		20 - 5	703-48152-00	25 - 57
6H1-43376-00	16 - 39	6H1-43867-00	17 - 41		20 - 30	6E5-45378-00	19 - 21	688-45587-01-12	19 - 5	703-48153-00	25 - 3
6H1-4380F-10	17 - 7	6H1-43868-00	17 - 74	6H3-44352-00	19 - 28		20 - 21		20 - 5	703-48189-00	25 - 17
6H1-4380G-10	17 - 15	6H1-4387J-00	17 - 77		20 - 28	688-45383-02	19 - 63	688-45587-01-15	19 - 5	703-48198-00	25 - 14
6H1-4380H-10	17 - 13	6H1-43871-10	17 - 23		29 - 17		20 - 71		20 - 5	703-48205-17	24 - 1
6H1-4380J-10	17 - 8	6H1-43872-10	17 - 25	6H3-44361-10	21 - 2	688-45384-00	19 - 64	688-45587-01-18	19 - 5		25 - 1
6H1-43800-16-4D	17 - 1	6H1-43874-00	17 - 67	663-44366-00	21 - 16		20 - 72		20 - 5	703-48211-01	25 - 61
6T4-43802-03	17 - 39	6H1-43875-00	17 - 57		29 - 14	6H3-45501-10	19 - 39	688-45587-01-30	19 - 5	703-48212-00	25 - 58
6H1-43804-10	17 - 4	6H1-4388E-11	17 - 73	663-44367-00	21 - 1		20 - 39		20 - 5	703-48213-00	25 - 59
6H1-43805-10	17 - 3	6H1-43880-02	17 - 2	6H3-44391-01	13 - 2	688-45536-01	19 - 4	688-45587-01-40	19 - 5	703-48215-00	25 - 43
6H1-43810-11	17 - 20	6H1-43881-10	17 - 12	688-44511-00-94	16 - 33		20 - 4		20 - 5	703-48219-00	25 - 30
6H1-43812-00	17 - 24	6H1-43891-10	17 - 5	688-44514-00-94	16 - 26	6K5-45551-00	19 - 40	688-45587-01-50	19 - 5	703-48221-00	25 - 56
6H1-43813-10	17 - 27	6H1-43892-10	17 - 6	6H1-44526-00	15 - 3		20 - 40		20 - 5	703-48222-00	25 - 27
6H1-43814-11	17 - 19	6H1-43895-12	17 - 70	6H3-44551-01-4D	16 - 9	6K5-45560-00	19 - 42	6H1-45611-01	20 - 43	703-48223-00	25 - 28
6H1-43816-00	17 - 68	6H1-43896-00	17 - 69	6H3-44552-03-94	16 - 18		20 - 42	688-45611-00	19 - 43	703-48225-00	25 - 29
6H1-43817-01	17 - 47	6H1-43899-00	17 - 51	6H3-44553-01-4D	16 - 23	688-45567-01-10	19 - 7	6H1-45631-01	20 - 44	703-48226-00	25 - 26
6E5-43818-00	17 - 32	6H3-44117-00-94	14 - 31	687-44555-00-94	16 - 11		20 - 7	688-45631-01	19 - 44	703-48227-00	25 - 24
6H1-4382A-10	17 - 52	6J2-44117-01-94	14 - 31	663-44575-00	16 - 16	688-45567-01-12	19 - 7	688-45633-00	19 - 49	703-48232-00	25 - 62
6H1-43820-11	17 - 64	6H3-44120-12	14 - 27		16 - 32		20 - 7		20 - 55	703-48234-00	25 - 18
6H1-43821-11	17 - 59	6H3-44121-01	14 - 37	6H3-45111-11-4D	18 - 1	688-45567-01-15	19 - 7	6H1-45634-02	20 - 46	703-48235-00	25 - 4

NUMERICAL INDEX

PART NO.	REF. NO.	PART NO.	REF. NO.	PART NO.	REF. NO.	PART NO.	REF. NO.	PART NO.	REF. NO.	PART NO.	REF. NO.
703-48236-00	25 - 16	689-81840-11	12 - 10	6Y5-83533-T2	26 - 10	90119-06M65	8 - 49	90201-20M21	16 - 28	90430-08020	20 - 11
703-48238-00	25 - 22	689-81847-11	12 - 6	6Y5-83553-M0	26 - 15	90119-06M88	8 - 50	90201-20417	3 - 19		29 - 4
703-48243-00	25 - 15	689-81850-12	12 - 8	6Y5-83557-10	26 - 19	90119-06023	2 - 20	90201-21M18	10 - 14	90430-12072	21 - 4
703-48244-00	25 - 21	689-81857-11	12 - 2	6Y5-83557-31	26 - 11	90119-08MA5	2 - 29	90201-22M67	15 - 23	90430-14115	2 - 24
703-48245-00	25 - 11	6H3-81916-10	11 - 15	6E5-83558-00	21 - 15	90119-08M14	19 - 38	90201-30M00	16 - 4		27 - 3
703-48246-00	25 - 23	6H2-81949-01	11 - 51	6E5-83558-10	19 - 23		20 - 38	90202-05088	8 - 22		28 - 3
701-48248-00	25 - 13	6H2-81949-11	11 - 50		20 - 23		29 - 23	90202-07M07	14 - 39	90440-14M00	15 - 48
703-48252-00	25 - 12	61A-81950-00	11 - 46	6Y5-83570-S5	26 - 7	90119-08M33	19 - 37	90202-12060	21 - 3	90445-07MA5	8 - 8
703-48261-01	25 - 2	688-81950-10	11 - 24	6E5-83614-01	11 - 55		20 - 37	90202-20M06	16 - 29	90445-07ME9	19 - 22
703-48264-00	25 - 6	6H2-81960-10	11 - 11	6A1-83625-41	4 - 23		29 - 24	90202-25M04	16 - 13		20 - 22
703-48265-00	25 - 9	6H3-82105-01	11 - 29		5 - 24	90119-08M64	2 - 9	90206-10M04	14 - 24	90445-07MF1	21 - 14
703-48268-00	25 - 5	6H3-82117-00	11 - 30	6H1-83672-12	16 - 1	90119-08M79	18 - 8	90206-13M10	13 - 6	90445-07M02	2 - 12
703-48271-00	25 - 60	6Y5-82117-00	26 - 17	6Y5-83728-00	26 - 12	90119-08M81	18 - 4	90209-06M05	4 - 22	90445-07M23	8 - 7
703-48281-00	25 - 31	682-82119-01	11 - 52	6H2-85520-01	10 - 2	90119-08M84	21 - 9		5 - 22	90445-07M44	2 - 10
703-48282-00	25 - 32	703-82119-00	11 - 6	6H2-85533-01	10 - 3	90119-10005	2 - 8	90249-06M19	15 - 39		8 - 6
703-48284-00	25 - 52		16 - 42	6H2-85540-10	11 - 5	90151-05M00	19 - 14	90250-07M02	19 - 48	90445-07M45	2 - 13
701-48287-00	25 - 42	688-82127-02	16 - 25	6H3-85542-11-94	11 - 1		20 - 14		20 - 54	90445-07M82	2 - 14
703-48291-10	25 - 39	6E5-82148-00	15 - 12	6H2-85550-00	10 - 1	90157-06M01	13 - 25	90266-06009	1 - 10	90445-07ME7	8 - 9
703-48293-10	25 - 41	6H1-82148-00	15 - 8	697-85570-00	11 - 20		13 - 29	90269-04M03	13 - 8	90445-07255	5 - 14
701-48320-00	24 - 2	1E6-82151-00	26 - 16	6H2-85580-01	10 - 4	90157-06M13	14 - 5	90280-03M03	19 - 29	90445-08M01	8 - 43
701-48320-20	24 - 2	663-82151-00	11 - 32	6H2-85582-00	10 - 5	90159-06M01	11 - 16		20 - 29	90445-09M75	9 - 4
701-48320-30	24 - 2	6G5-82152-00	11 - 17	6H1-85711-60	5 - 23	90159-06M23	10 - 19		29 - 25	90445-09072	9 - 13
701-48320-50	24 - 2	6H3-82154-11	11 - 49	6R5-85711-60	11 - 58	90170-09M03	23 - 5	90280-05015	10 - 12		9 - 30
701-48320-60	24 - 2	6H3-82164-00	11 - 27	6H3-85720-16	8 - 60	90170-16M01	19 - 41	90282-04010	19 - 62	90445-09220	9 - 34
701-48320-80	24 - 2	6A0-82317-00	8 - 47	6H2-85895-01	10 - 6		20 - 41		20 - 70	90445-11M02	8 - 57
6H3-48344-00	14 - 18	6G1-82370-21	11 - 23	6H3-86110-02	11 - 39	90170-20137	10 - 13	90338-05M03	1 - 26	90445-11M03	8 - 27
663-48344-00	14 - 41	703-82510-43	25 - 44	6H3-86116-00	11 - 40	90171-16011	21 - 20		15 - 20	90445-11M05	22 - 11
703-48345-01	25 - 19	703-82531-00	25 - 46	6Y5-87122-S0	26 - 14	90179-06066	16 - 22	90340-08M04	19 - 9	90445-11M06	22 - 9
703-48358-00	25 - 20	703-82540-00	25 - 50	9E450-04433	26 - 2	90179-08M34	2 - 31		20 - 9	90445-11M15	8 - 54
6H3-48511-51-4D	16 - 36	68F-82553-80	26 - 18	9E450-04533	26 - 3	90183-02M03	20 - 53	90340-14M00	2 - 23	90445-11M21	8 - 51
6H3-48538-00	14 - 42	682-82556-00	25 - 48	90101-08002	2 - 22	90183-05M06	1 - 27	90386-07M58	14 - 34	90446-10M01	8 - 56
688-61350-10	23 - 1	688-82560-10	11 - 38	90101-10M49	16 - 27	90185-05002	19 - 15	90386-10M16	15 - 28		9 - 37
688-61351-10	23 - 2	6H1-82563-10	11 - 53	90101-12M65	15 - 44		20 - 15	90386-13M38	13 - 5	90464-05M16	11 - 14
6E5-61355-00	23 - 8	703-82563-02	25 - 55	90105-06M14	11 - 2	90185-08057	16 - 40	90386-18M14	17 - 31	90464-07M05	2 - 16
6H4-81315-11	26 - 21	688-82575-01	25 - 47	90105-10M67	21 - 13	90185-09M01	23 - 4	90386-18M35	15 - 37		8 - 5
6E5-81332-00	10 - 15	703-82577-00	25 - 45	90109-06M39	8 - 3	90185-10051	16 - 31	90386-18M63	15 - 36		8 - 15
6H3-81337-01	10 - 18	688-8258A-20	25 - 49	90109-06M40	8 - 4		16 - 38	90386-22M15	15 - 22	90464-09M13	13 - 28
6H3-81800-11	12 - 1	6R5-82582-B0	8 - 61	90109-06M43	14 - 13	90185-22043	15 - 24	90386-30M60	16 - 8	90464-11M18	15 - 19
6H3-81807-10	12 - 3	6E5-82587-00	11 - 54	90109-12M21	16 - 15	90201-03313	20 - 52	90386-30M77	16 - 6	90464-11M23	8 - 58
689-81809-11	12 - 7	6H2-82590-13	11 - 31	90116-08M69	2 - 30	90201-05652	6 - 28	90386-30M78	16 - 5	90464-15M11	11 - 28
6H3-81810-10	12 - 9	6H2-82590-60	11 - 31	90116-10175	16 - 37	90201-08M93	8 - 17	90387-06M31	8 - 31	90464-18M14	11 - 57
689-81811-11	12 - 12	703-82591-00	25 - 53	90119-06MA3	2 - 35	90201-10M20	23 - 3	90387-06M43	11 - 3	90464-23M22	11 - 18
689-81812-11	12 - 11	703-82592-00	25 - 54		4 - 9	90201-10M63	23 - 7	90387-06M60	14 - 8	90465-06M86	8 - 10
689-81813-10	12 - 13	688-82594-00	11 - 37		5 - 10	90201-11M22	16 - 30		14 - 25	90465-11M10	16 - 41
6H3-81820-11	12 - 14	703-82594-00	25 - 25	90119-06MA5	2 - 40	90201-12M16	16 - 12	90387-06M69	13 - 21		19 - 24
689-81826-10	12 - 15	703-83383-02	25 - 51	90119-06M09	13 - 11	90201-12426	15 - 46	90387-10M02	15 - 29		20 - 24
6H3-81830-10	12 - 4	6Y5-8350T-00	26 - 1	90119-06M29	15 - 4	90201-13M19	16 - 14	90387-10M42	23 - 6		26 - 13
689-81831-00	12 - 5	6Y5-83500-S5	26 - 6	90119-06M61	13 - 22	90201-17M00	21 - 19	90430-08020	19 - 11		26 - 20

NUMERICAL INDEX

PARTNO.	REF. NO.	PARTNO.	REF. NO.	PARTNO.	REF. NO.	PARTNO.	REF. NO.	PARTNO.	REF. NO.	PARTNO.	REF. NO.
90465-11M27	8 - 28	92903-06600	11 - 26	93101-23070	29 - 11	93210-46M16	28 - 9	95380-03600	9 - 19	97095-06025	13 - 33
90465-13M11	11 - 19		11 - 34	93101-25M03	19 - 61	93210-46044	19 - 32	95380-04600	26 - 5		14 - 9
90465-13M30	8 - 33		11 - 36		20 - 69		20 - 32		26 - 9		14 - 26
90465-18147	7 - 42		11 - 43		29 - 12		29 - 10	95380-05600	8 - 24	97095-06035	10 - 8
	11 - 45		12 - 19	93102-08M43	17 - 14		29 - 22		14 - 3	97095-06040	9 - 28
90467-06016	2 - 11		14 - 33	93102-30M23	3 - 2	93210-49046	19 - 17		14 - 17	97095-06045	11 - 7
	2 - 15	92903-08600	12 - 17		27 - 10		20 - 17		14 - 22	97095-06095	4 - 10
	5 - 15		12 - 21		28 - 10		29 - 5		25 - 7		5 - 11
90467-08004	2 - 42	92990-04100	26 - 4	93102-36M24	3 - 9	93210-64488	17 - 28	95380-06600	14 - 6	97095-10045	15 - 14
	5 - 17		26 - 8		27 - 8	93210-65M50	3 - 4		25 - 40	97380-05025	25 - 8
	8 - 45	92990-05100	9 - 23		28 - 8		27 - 12	95380-08600	9 - 11	97380-08030	25 - 33
	9 - 5	92990-05600	4 - 4	93106-09014	19 - 18		28 - 12	95380-12600	15 - 47	97595-06420	17 - 35
	9 - 14		5 - 4		20 - 18	93210-85M97	19 - 59	95380-12800	16 - 17	97607-04310	17 - 11
	9 - 31	92990-06600	13 - 26		29 - 6		20 - 67	97013-06012	7 - 43	97803-04010	7 - 34
	9 - 36		13 - 38	93106-18M01	3 - 3		29 - 13		11 - 9	97880-05016	4 - 3
90467-10M04	8 - 52	92990-08200	14 - 35		27 - 11	93306-207U0	19 - 56		11 - 33		5 - 3
90467-11M08	8 - 29	92990-08600	25 - 34		28 - 11		20 - 64		11 - 35	97880-06012	15 - 13
	8 - 59	92990-10100	21 - 7	93210-03261	11 - 44	93306-306V1	3 - 11	97013-06014	9 - 12	97885-05016	17 - 10
	8 - 46	92990-10600	21 - 8	93210-04228	6 - 34	93311-636U6	3 - 8	97013-06016	11 - 25	97885-06010	10 - 16
90468-05M03	8 - 23	92995-06100	1 - 8		7 - 13	93315-325V1	19 - 3		11 - 42	97885-06016	16 - 2
90468-07M02	8 - 12		15 - 6		28 - 22		20 - 3	97013-06020	11 - 21		16 - 24
	8 - 13	92995-06600	1 - 9	93210-04230	6 - 18	93317-325U0	19 - 60		14 - 32	97885-06045	4 - 21
	8 - 14		1 - 13		7 - 26		20 - 68	97013-06025	12 - 18		5 - 21
90468-18008	14 - 19		3 - 6		27 - 30	93332-000U3	19 - 6	97013-08016	12 - 20	97980-04114	6 - 16
	14 - 38		9 - 3		28 - 29		20 - 6	97013-08035	12 - 16		7 - 4
90480-09M12	13 - 20		9 - 29	93210-064A5	17 - 38	93332-000W7	19 - 8	97075-08025	16 - 19		27 - 29
90480-13M54	11 - 4		10 - 9	93210-07003	19 - 52		20 - 8	97075-08030	18 - 12	97980-05310	6 - 24
90501-10326	6 - 30		10 - 11		20 - 59	93410-18M02	15 - 38		18 - 18	98501-04025	17 - 75
	7 - 6		10 - 17	93210-08287	22 - 14	93410-28M06	16 - 10	97075-08035	16 - 34	98501-05010	17 - 62
90501-12M48	20 - 51		11 - 8		22 - 16	93430-06024	25 - 10		18 - 9	98502-04008	6 - 11
90501-12082	14 - 30		11 - 13	93210-09165	17 - 37	93430-08006	19 - 53	97075-10040	21 - 6	98503-05028	9 - 22
90501-14M08	16 - 21		11 - 48	93210-10M74	17 - 54		20 - 60	97095-05012	10 - 7	98580-03015	25 - 38
90501-16M65	20 - 47		13 - 18	93210-13M04	8 - 19	93440-49M04	3 - 10	97095-06010	15 - 9	98580-04006	25 - 36
90501-16233	19 - 46		13 - 34	93210-15M52	6 - 33	93450-07M00	20 - 61		15 - 43	98580-04008	7 - 16
90502-16M02	15 - 34		13 - 36		27 - 34	93501-04M02	14 - 29	97095-06016	1 - 7	98580-04010	25 - 35
90506-14M24	15 - 41		15 - 7	93210-16275	23 - 10	93503-16003	20 - 48		1 - 12	98580-05010	25 - 37
90508-26M35	14 - 11		15 - 10	93210-18M75	17 - 56	93505-32038	17 - 79		8 - 30	98586-05016	22 - 4
91318-08016	17 - 66		19 - 20	93210-18397	17 - 26	93603-12M11	20 - 45		11 - 12	98980-03006	7 - 36
91490-20012	14 - 36		20 - 20	93210-19MA7	8 - 2	93603-18M09	3 - 18		11 - 56		
91490-40025	21 - 21	92995-08100	16 - 20	93210-29M94	16 - 7	93604-10M03	19 - 36		13 - 17		
91690-30010	11 - 41		16 - 35	93210-32738	9 - 9		20 - 36		15 - 5		
91690-30012	15 - 33		18 - 10		27 - 16	93606-12019	18 - 2		19 - 19		
91690-30020	15 - 30		18 - 13		28 - 16		18 - 6		20 - 19		
92901-04100	17 - 76		18 - 19	93210-39ME4	5 - 12		21 - 5	97095-06020	3 - 5		
92901-05200	17 - 63	92995-10100	15 - 15		28 - 14	93608-12063	2 - 7		13 - 35		
92903-06600	7 - 44	92995-12200	15 - 45		28 - 30	93700-06M03	15 - 17	97095-06025	9 - 2		
	11 - 10	93101-23070	19 - 31	93210-46M16	3 - 13	94702-00247	2 - 43		10 - 10		
	11 - 22		20 - 31		27 - 9	95380-03600	7 - 35		11 - 47		

60FET/60FETO/70BETO
PARTS CATALOGUE
©2001 by Yamaha Motor Co., Ltd.
1st Edition, Jun. 2001
All rights reserved.
Any reprinting or unauthorized use
without the written permission of
Yamaha Motor Co., Ltd.
is expressly prohibited.

G7