

**PARTS
CATALOGUE
CATALOGO
DE REPUESTOS**

115B'02(6E51)

140B'02(6F31)

FOREWORD

This Parts Catalogue is related to the parts for the model(s) in the below frame. When you are ordering replacement parts, please refer to this Parts Catalogue and quote both part numbers and part names correctly.

115B'02(6E51), 140B'02(6F31)

1. Modifications or additions which have been made after issue of the Parts Catalogue will be announced in the Yamaha Parts News.
It is advisable that you make necessary corrections to the Parts Catalogue according to the Yamaha Parts News.

2. Abbreviations

The Following abbreviations are used in this Parts Catalogue.

“UR” Use specified parts number.

“UN” Use as many as needed.

“AP” Alternate Parts

“LM” Local Made

(Parts need to be ordered locally)

“O/S” Over Size

3. Parts, which are to be supplied in an assembly, are listed with a dot(.) in front of the part name as shown below.

EXAMPLE

CARBURETOR ASSY

.JET, PILOT

.NOZZLE, MAIN

4. Number of component for assembly

The numeral appearing to the right of each component part indicates the quantity of parts for each assembly unit.

EXAMPLE

PART NO.	DESCRIPTION	□	▣	▤	REMARKS
6E0-85500-70	C.D.I. MAGNETO ASSY	1			
6E0-85550-70	.ROTOR ASSY	1			
6E0-15723-00-94.	.PULLY, STARTER	1			

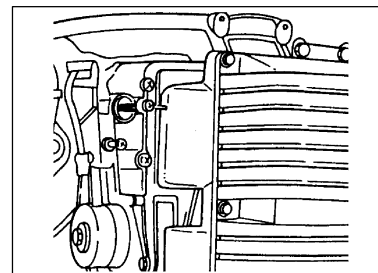
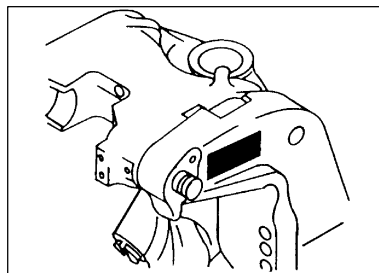
5. Quantity Column Information

NAME for Q'TY COLUMN	APPLICABLE MODEL
E	115BE
ET	115BET, 140BET

6. Applicable Starting Serial No. and Color Code

1) Engine Starting Serial No.

115BE	6E5 L : 420111	140BET	6F3 L : 522455
115BET	6E5 L : 335370		6F3 X : 421327
	6E5 X : 524826		



2) Color Code

Color Code	Color Name	Abbreviation
004D	DARK BLUISH GRAY METALLIC 2	DBNM2

7. Note that the illustrations for reference in finding parts numbers, not to be used for assembling. When assembling, please use the applicable service manual.

8. The asterisk (*) before a reference number indicates modification items after the first edition.

CONTENTS

SHEET 1/2

TOP COWLING	A4
CYLINDER. CRANKCASE 1	A5
CRANKSHAFT. PISTON	A7
CYLINDER. CRANKCASE 2	B2
INTAKE	B4
CARBURETOR	B6
FUEL 1	C1
FUEL 2	C3
GENERATOR	C4
ELECTRICAL 1	C5
ELECTRICAL 2	C6
STARTING MOTOR	D1
BOTTOM COWLING	D2
CONTROL	D4
BRACKET 1	D7
BRACKET 2	E2
BRACKET 3	E4
BRACKET 4	E6
BRACKET 5	F1
POWER TRIM & TILT ASSY 1	F3
POWER TRIM & TILT ASSY 2	F5
UPPER CASING	F7

INDEX

NUMERICAL INDEX	G1
-----------------------	----

SHEET 2/2

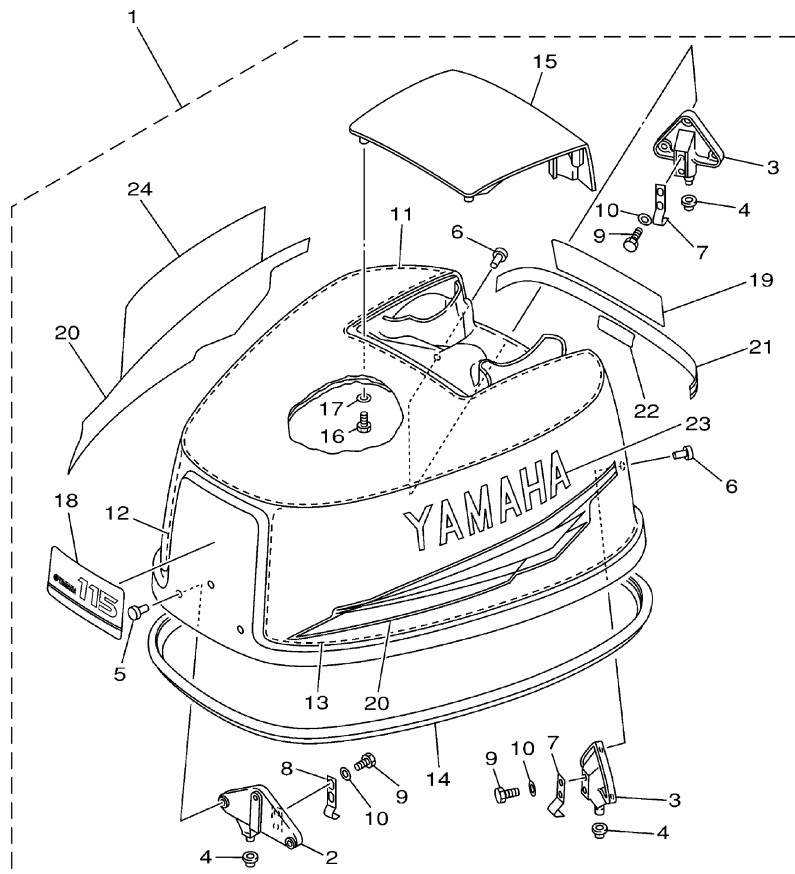
UPPER CASING	A4*
LOWER CASING. DRIVE 1	A5*
LOWER CASING. DRIVE 2	B2*
FUEL TANK	B4*
STEERING GUIDE	B5*
REMOTE CONTROL BOX	B6*
REMOTE CONTROL ASSY	B7*
METER	C3*
REPAIR KIT 1	C4*
REPAIR KIT 2	C6*

INDEX

NUMERICAL INDEX	G1*
-----------------------	-----

FIG. 1 TOP COWLING

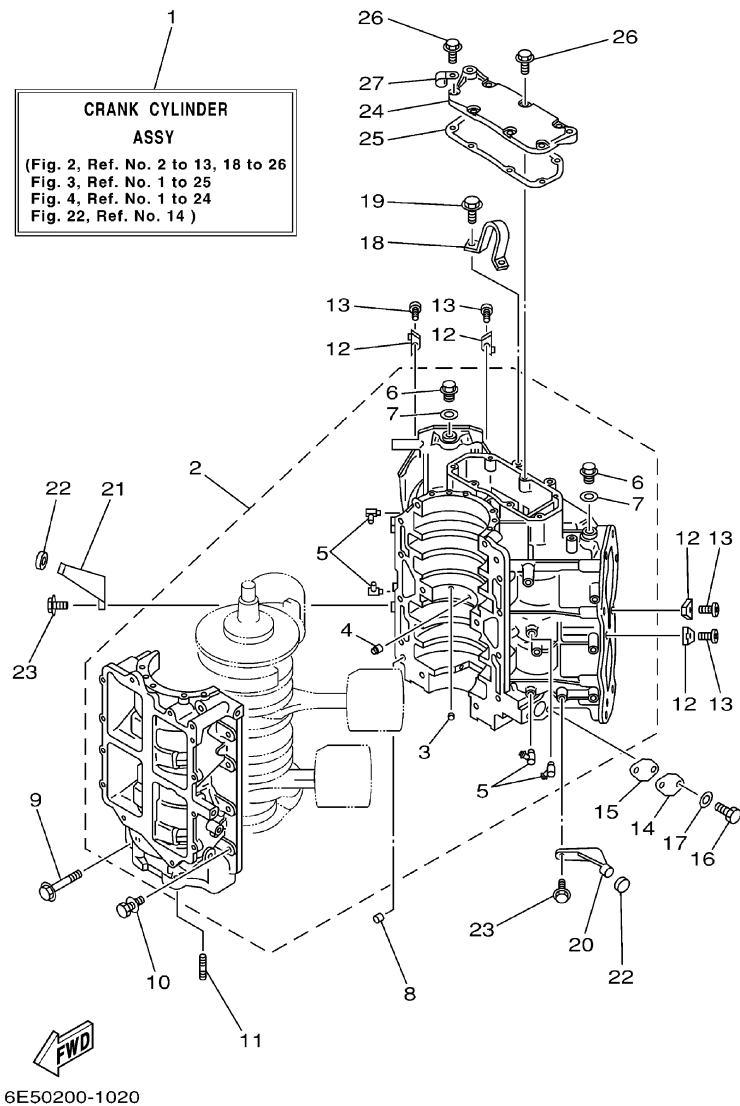
SOPORTE SUPERIOR



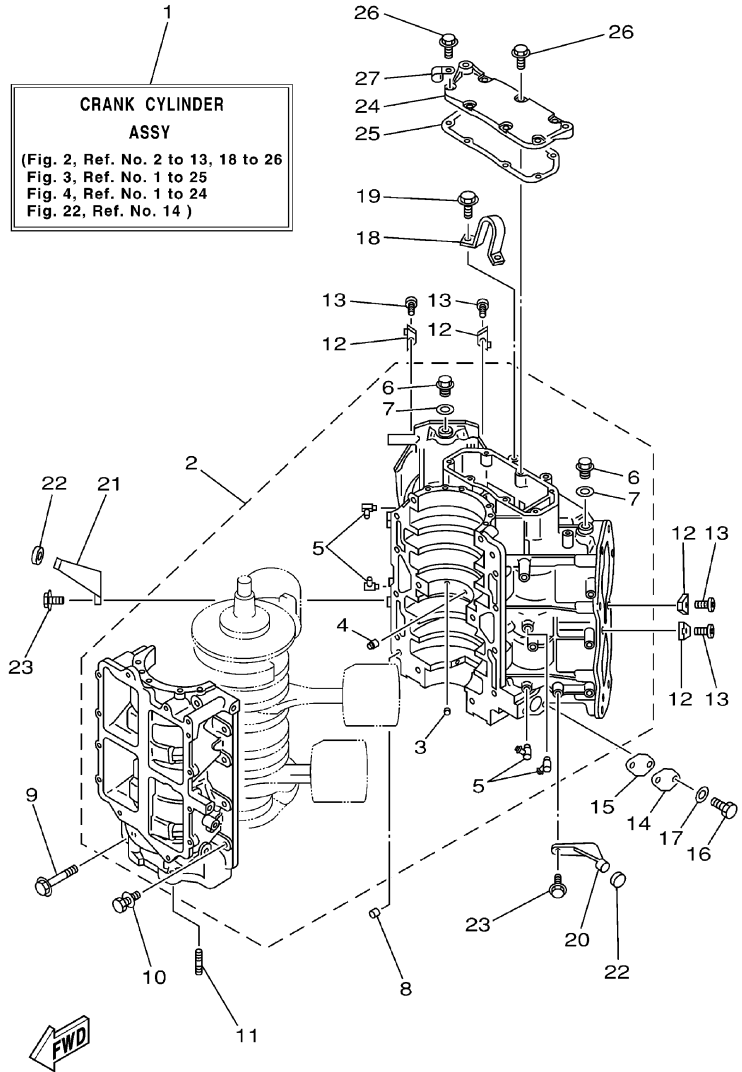

6E51200-2010

REF. NO.	PART NO. CODIGO NO.	DESCRIPTION DESCRIPTION	Q	Q		REMARKS OBSERVACION
1	6E5-42610-80-4D	TOP COWLING ASSY SOPORTE SUPERIOR COMPL.	1	1		115B
	6F3-42610-40-4D	TOP COWLING ASSY SOPORTE SUPERIOR COMPL.		1		140B
2	6E5-42647-00-94	.HOLDER, CLAMP BAND .MORDAZA DE ABRAZADERA	1	1		
3	6E5-42649-01-94	.HOLDER, CLAMP BAND .MORDAZA DE ABRAZADERA	2	2		
4	663-42662-00	.DAMPER .AMORTIGUADOR	3	3		
5	90266-06009	.RIVET .REMACHE	3	3		
6	90266-06M02	.RIVET .REMACHE	6	6		
7	6E5-42652-00	.HOOK .GANCHO	2	2		
8	688-42652-00	.HOOK .GANCHO	1	1		
9	97095-06016	.BOLT .PERNO	6	6		
10	92995-06600	.WASHER .ARANDELA	6	6		
11	6E5-42617-00	.DAMPER, FORM .HULE DE FORMA	1	1		
12	6E5-42619-00	.DAMPER, FORM .HULE DE FORMA	1	1		
13	6E5-42627-00	.DAMPER, FORM .AMORTIGUADOR FORMA 3	1	1		
14	6E5-42615-00	.SEAL .SELLO	1	1		
15	6E5-42613-01-4D	.MOLDING, AIR DUCT .MOLDURA CONDUCTO AIRE	1	1		
16	97095-06016	.BOLT .PERNO	4	4		
17	92995-06600	.WASHER .ARANDELA	4	4		
18	6E5-42677-40	.GRAPHIC, FRONT .CALCAMONIA FRONTAL	1	1		115B
	6F3-42677-40	.GRAPHIC, FRONT .CALCAMONIA FRONTAL		1		140B
19	6E5-42678-31	.GRAPHIC, REAR .CALCAMONIA TRASERA	1	1		115B
	6F3-42678-31	.GRAPHIC, REAR .CALCAMONIA TRASERA		1		140B
20	6N7-W0070-30	.GRAPHIC SET .JUEGO DE EMBLEMA	1	1		
21	6E5-4267A-31	.GRAPHIC, REAR 2 .CALCAMONIA TRASERA 2	1	1		
22	6N7-42678-30	.GRAPHIC, REAR .CALCAMONIA TRASERA	1	1		
23	6N7-42681-30	.MARK, COWLING .MARCA DE CUBIERTA	1	1		
24	6N7-42682-30	.MARK, COWLING .MARCA DE CUBIERTA	1	1		

FIG. 2 CYLINDER. CRANKCASE 1 CILINDRO. CARTER 1



REF. NO.	PART NO. CODIGO NO.	DESCRIPTION DESCRIPTION	QTY	UNIT	REMARKS OBSERVACION
1	6E5-W0090-54-1S	CRANK CYLINDER ASSY BLOQUE MOTOR COMPLETO	1	1	115B
	6F3-W0090-65-1S	CRANK CYLINDER ASSY BLOQUE MOTOR COMPLETO		1	140B
2	6N6-15100-01-1S	CRANKCASE ASSY CARTER COMPLETO	1	1	115B
	6N7-15100-01-1S	CRANKCASE ASSY CARTER COMPLETO		1	140B
3	624-11379-00	.VALVE, CHECK .VALVULA DE CONTROL	1	1	
4	663-11518-01	.LOCK, BEARING .SEGURO BALERO	1	1	
5	6E5-11372-00	.NIPPLE, HOSE .NIPLE DE MANGUERA	4	4	
6	90340-14M00	.PLUG, STRAIGHT SCREW .TORNILLO, DE DRENAJE	2	2	
7	90430-14115	.GASKET .JUNTA	2	2	
8	93608-12063	PIN, DOWEL PASADOR DE CLAVIJA	2	2	
9	90105-10M20	BOLT, FLANGE TORNILLO	6	6	
10	90119-08M94	BOLT, WITH WASHER TORNILLO CON ARANDELA	8	8	
11	90116-08M45	BOLT, STUD ESPARRAGO	2	2	
12	6E5-11325-00	ANODE ANODO	4	4	
13	98780-04015	SCREW, FLAT HEAD TORNILLO DE CABEZA PLANA	4	4	
14	6R3-1131M-01	COVER CUBIERTA	1	1	
15	6R3-11397-01	GASKET EMPAQUE	1	1	
16	97013-06016	BOLT PERNO	2	2	
17	92903-06600	WASHER, PLATE ARANDELA	2	2	
18	6E5-11119-01	HANGER, ENGINE SOPORTE DEL MOTOR	1	1	
19	90119-08MA3	BOLT, WITH WASHER TORNILLO CON ARANDELA	2	2	
20	6E5-42761-00-1S	STOPPER RETEN 1	1	1	
21	6E5-42762-00-1S	STOPPER RETEN 2	1	1	
22	68F-44533-00	DAMPER, UPPER MOUNT RUBBER AMORTIGUADOR SUPERIOR	2	2	
23	90119-06MA2	BOLT, WITH WASHER TORNILLO CON ARANDELA	4	4	
24	6E5-11371-00-1S	COVER CUBIERTA 1	1	1	
25	6E5-11381-A2	GASKET 1 EMPAQUE 1	1	1	

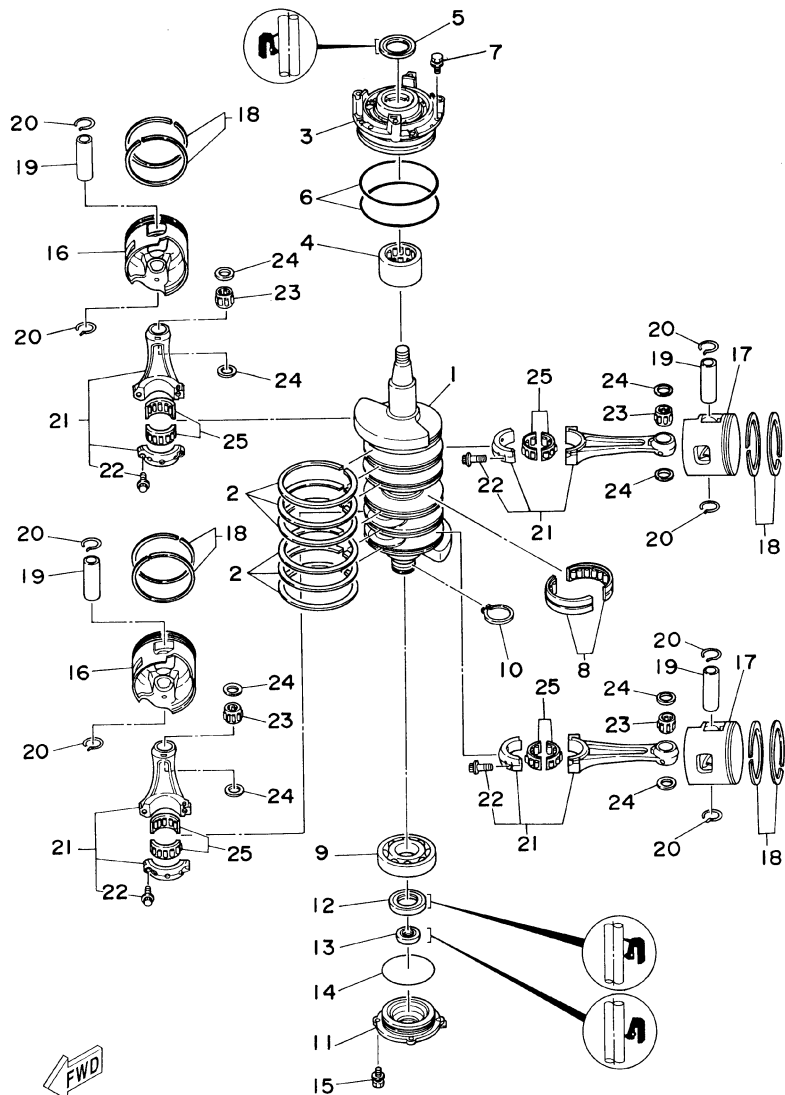


1
CRANK CYLINDER ASSY
 (Fig. 2, Ref. No. 2 to 13, 18 to 26
 Fig. 3, Ref. No. 1 to 25
 Fig. 4, Ref. No. 1 to 24
 Fig. 22, Ref. No. 14)

6E50200-1020

FIG. 2 CYLINDER. CRANKCASE 1 CILINDRO. CARTER 1

REF. NO.	PART NO. CODIGO NO.	DESCRIPTION DESCRIPTION	QTY	UNIT	REMARKS OBSERVACION
26	90119-06MA2	BOLT, WITH WASHER TORNILLO CON ARANDELA	7	7	
27	90465-06M86	CLAMP BRIDA	1	1	

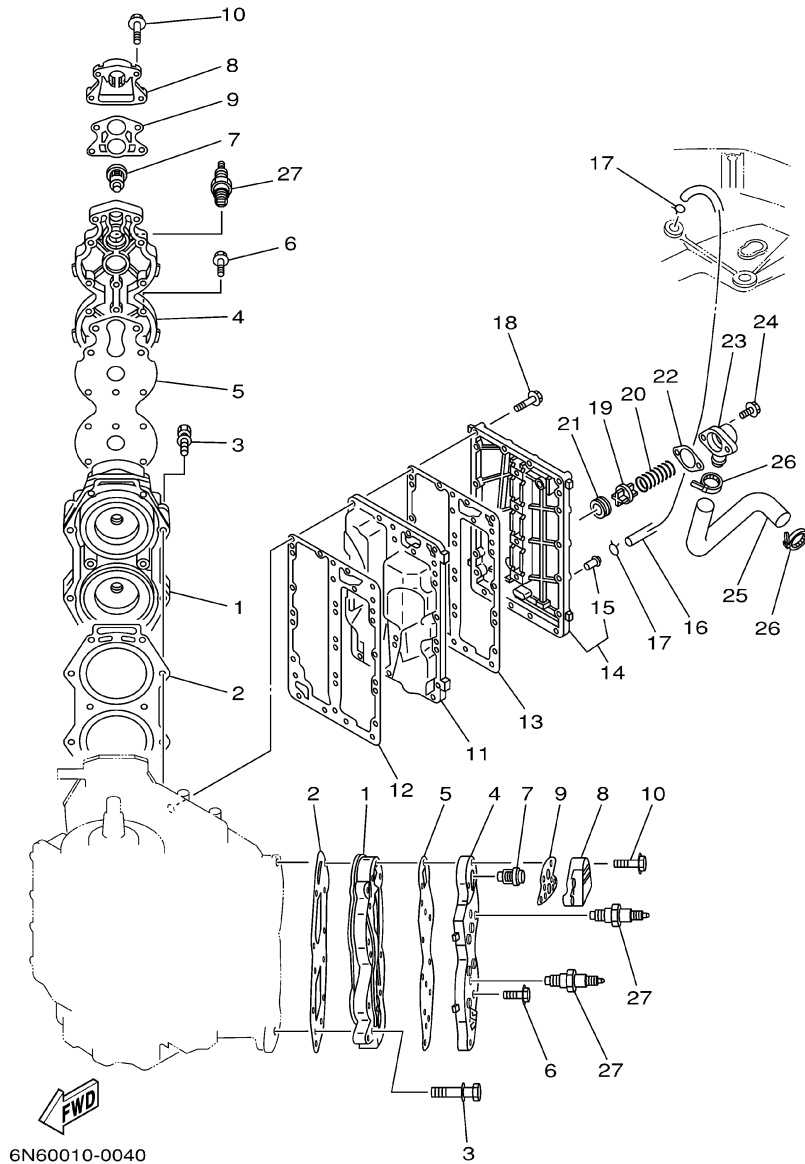


6E50010-4030

FIG. 3 CRANKSHAFT. PISTON CIGUENAL. PISTON

REF. NO.	PART NO. CODIGO NO.	DESCRIPTION DESCRIPTION	Q	Q	REMARKS OBSERVACION
1	6N7-11411-01	CRANKSHAFT CIGUENAL	1	1	
2	6E5-11447-00	SEAL, CRANK SELLO MANIVELA	6	6	
3	6E5-15163-00-1S	HOUSING, BEARING 1 CAJA DE COJINETE 1	1	1	
4	93311-940U3	BEARING COJINETE	1	1	
5	93102-40M14	OIL SEAL SELLO ACEITE	1	1	
6	93211-04001	O-RING ANILLO O	2	2	
7	90119-06MA2	BOLT, WITH WASHER TORNILLO CON ARANDELA	4	4	
8	93310-954U1	BEARING COJINETE	1	1	
9	93306-208U0	BEARING COJINETE	1	1	
10	93410-40M03	CIRCLIP BOLA	1	1	
11	6G5-15359-00-94	HOUSING, OIL SEAL CAJA DE SELLO DE ACEITE	1	1	
12	93102-35M13	OIL SEAL SELLO ACEITE	1	1	
13	93101-22M15	OIL SEAL SELLO ACEITE	1	1	
14	93210-74M35	O-RING ANILLO O	1	1	
15	90119-06MA2	BOLT, WITH WASHER TORNILLO CON ARANDELA	4	4	
16	6R5-11631-11-93	PISTON (STD) PISTON (STD)	2	2	
	6R5-11635-11	PISTON (0.25MM O/S)	2	2	AP
	6R5-11636-11	PISTON (0.50MM O/S)	2	2	AP
	6R5-11642-11-93	PISTON 2 (STD) PISTON 2 (STD)	2	2	
	6R5-11645-11	PISTON 2 (0.25MM O/S) PISTON 2 (0.25MM O/S)	2	2	AP
	6R5-11646-11	PISTON 2 (0.50MM O/S) PISTON 2 (0.50MM O/S)	2	2	AP
18	64D-11603-01	PISTON RING SET (STD) JUEGO DE ANILLOS (STD)	4	4	
	64D-11604-01	PISTON RING SET (0.25MM O/S) JUEGO DE ANILLOS (0.25MM O/S)	4	4	AP
	64D-11605-01	PISTON RING SET (0.50MM O/S) JUEGO DE ANILLOS (0.50MM O/S)	4	4	AP
19	6R5-11633-10	PIN, PISTON PASADOR, PISTON	4	4	
20	6R5-11634-10	CLIP, PISTON PIN PRESILLA, BULON DE PISTON	8	8	
21	6R5-11650-10	CONNECTING ROD ASSY BIELA COMPLETA	4	4	

FIG. 4 CYLINDER. CRANKCASE 2 CYLINDRO. CARTER 2



REF. NO.	PART NO. CODIGO NO.	DESCRIPTION DESCRIPTION	Q	U	REMARKS OBSERVACION
1	6E5-11111-10-1S	HEAD, CYLINDER 1 CULATA CILINDRO 1	2	2	115B
	6L1-11111-00-1S	HEAD, CYLINDER 1 CULATA CILINDRO 1		2	140B
2	6E5-11181-A1	GASKET, CYLINDER HEAD 1 JUNTA, DE CULATA 1	2	2	
3	90119-08MA8	BOLT, WITH WASHER TORNILLO CON ARANDELA	20	20	
4	6E5-11191-01-1S	COVER, CYLINDER HEAD 1 TAPA CULATA DE CILINDRO 1	2	2	
5	6E5-11193-A0	GASKET, HEAD COVER 1 EMPAQUE	2	2	
6	90119-06MA4	BOLT, WITH WASHER TORNILLO CON ARANDELA	24	24	
7	6E5-12411-20	THERMOSTAT TERMOSTAT	2	2	
8	6G5-12413-00-1S	COVER, THERMOSTAT CUBIERTA TERMOSTATO	2	2	
9	688-12414-A1	GASKET, COVER EMPAQUE	2	2	
10	90119-06MA6	BOLT, WITH WASHER TORNILLO CON ARANDELA	8	8	
11	6E5-41111-00-1S	INNER COVER, EXHAUST CUBIERTA INTERIOR DE ESCAPE	1	1	115B
	6L1-41111-00-1S	INNER COVER, EXHAUST CUBIERTA INTERIOR DE ESCAPE		1	140B
12	6E5-41112-A1	GASKET, EXHAUST INNER COVER EMPAQUE	1	1	
13	6E5-41112-A1	GASKET, EXHAUST INNER COVER EMPAQUE	1	1	
14	6N7-41113-00-1S	OUTER COVER, EXHAUST CUBIERTA EXTERIOR DE ESCAPE	1	1	
15	650-24378-00	.PIPE, JOINT 4 .TUBO DE UNION 4	1	1	
16	6E5-24312-00	PIPE 2 TUBO 2	1	1	
17	90467-08004	CLIP PRESILLA	2	2	
18	90119-06MA5	BOLT, WITH WASHER TORNILLO CON ARANDELA	23	23	
19	6G5-12416-00	VALVE, PRESSURE CONTROL VALVULA DE CONTROL DE PRESION	1	1	
20	90501-16M11	SPRING, COMPRESSION RESORTE DE COMPRESION	1	1	
21	90480-20M05	GROMMET TAPON	1	1	
22	6G5-11382-A1	GASKET 2 EMPAQUE 2	1	1	
23	6G5-11372-00-1S	COVER, BYPASS 2 CUBIERTA	1	1	
24	90119-06MA2	BOLT, WITH WASHER TORNILLO CON ARANDELA	2	2	
25	6E5-12576-00	HOSE 1 MANGUERA 1	1	1	

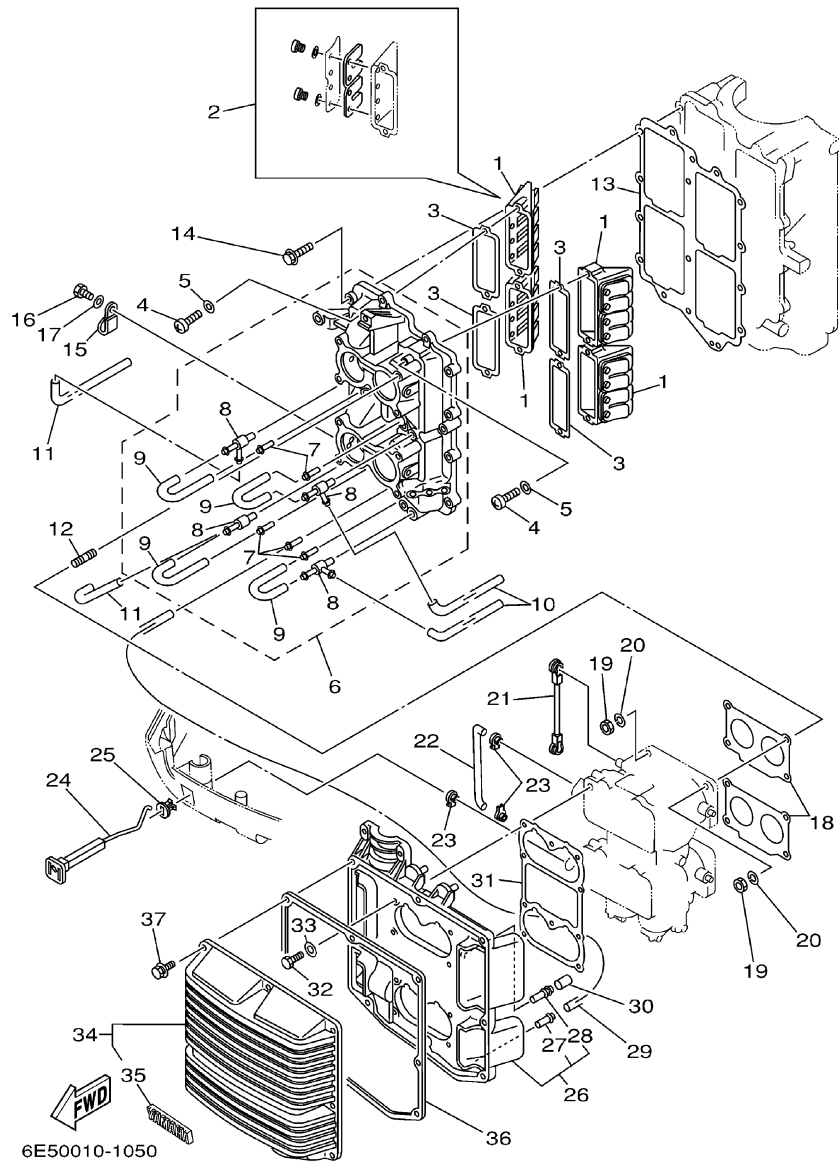


FIG. 5 INTAKE

ADMISION

REF. NO.	PART NO. CODIGO NO.	DESCRIPTION DESCRIPTION	Q	U	REMARKS OBSERVACION
1	6E5-13610-00	REED VALVE ASSY VALVULA DE LAMINAS COMPLETA	4	4	
2	6E5-W0004-00	.REED SET .JUEGO DE VALVULAS DE LENGUETA	1	1	
3	6E5-13621-A1	GASKET, VALVE SEAT JUNTA, DE VALV.DE EMPAQUE	4	4	
4	97880-05025	SCREW, PAN HEAD TORNILLO DE CABEZA CON PLANA	8	8	
5	92990-05600	WASHER, PLATE ARANDELA	8	8	
6	6E5-13641-03-1S	MANIFOLD 1 MULTIPLE 1	1	1	
7	624-14485-00	.PIPE, JOINT .TUBO DE UNION	5	5	
8	6E5-11370-00	.CHECK VALVE ASSY .VALVULA DE CONTROL COMPL.	4	4	
9	90445-07M28	.HOSE (L70) .TUBO (L70)	4	4	
10	90445-07M24	HOSE (L240) TUBO (L240)	2	2	
11	90445-07M46	HOSE (L360) TUBO (L360)	2	2	
12	90116-06M30	BOLT, STUD ESPARRAGO	8	8	
13	6E5-13645-A1	GASKET, MANIFOLD 1 EMPAQUE	1	1	
14	90119-06MA3	BOLT, WITH WASHER TORNILLO CON ARANDELA	12	12	
15	90465-06M86	CLAMP BRIDA	1	1	
16	97095-06012	BOLT PERNO	1	1	
17	92995-06600	WASHER ARANDELA	1	1	
18	6E5-14198-A2	GASKET EMPAQUE	2	2	
19	95380-06600	NUT, HEXAGON TUERCA	8	8	
20	92995-06100	WASHER, SPRING ARANDELA	8	8	
21	6E5-41217-01	ROD, ACCÉL. LEVER VARILLA PALANCA ACELERADOR	1	1	
22	6E5-41256-01	ROD, CHOKE 1 VARILLA DE AHOGADOR	1	1	
23	661-41262-02	JOINT, CHOKE LEVER CONECTOR DE AHOGADOR	3	3	
24	6E5-41271-02	KNOB, CHOKE PERILLA AHOGADOR	1	1	
25	689-41273-00	GROMMET TAPON PROTECTOR	1	1	
26	6E5-14417-10-94	COVER 1 CUBIERTA 1	1	1	
27	624-14485-00	.PIPE, JOINT .TUBO DE UNION	1	1	

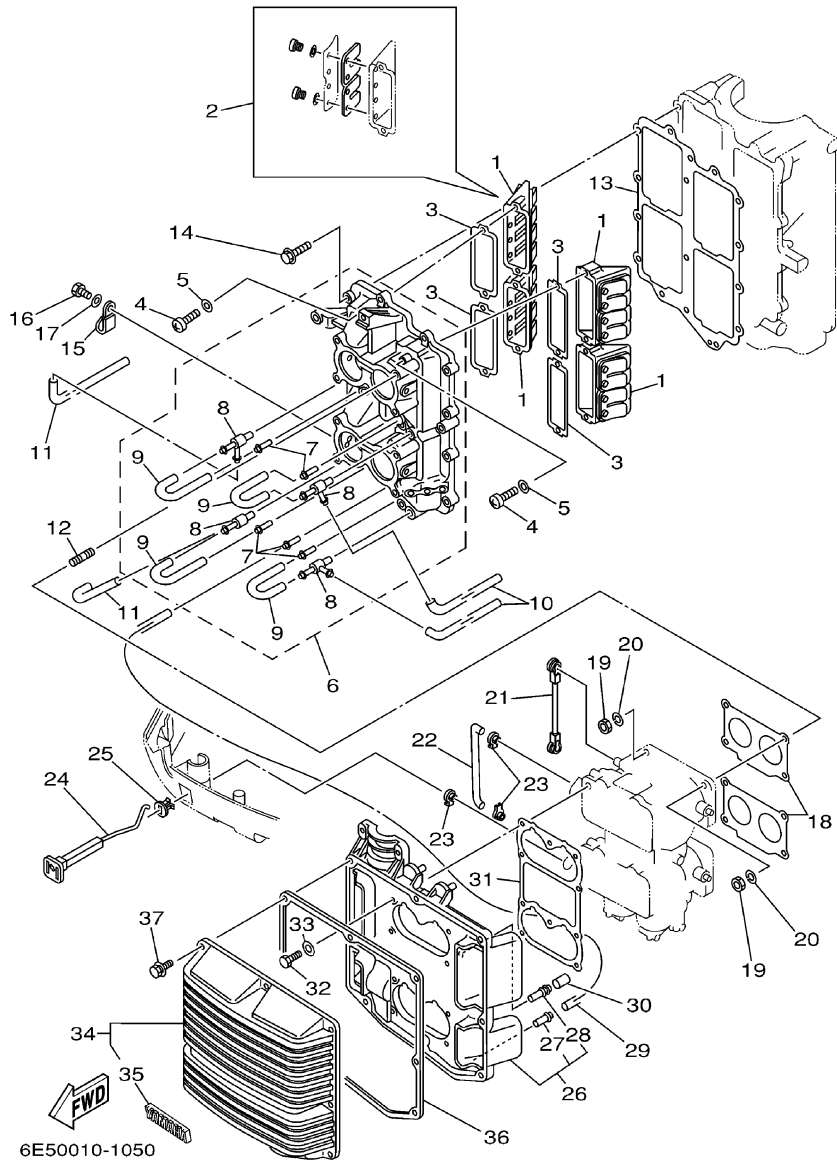
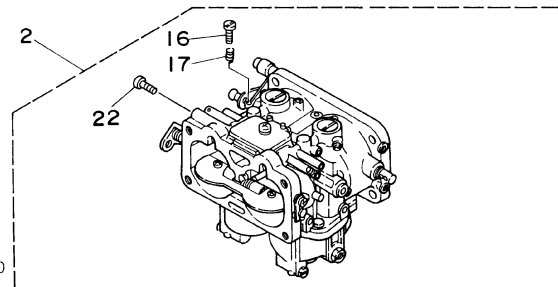
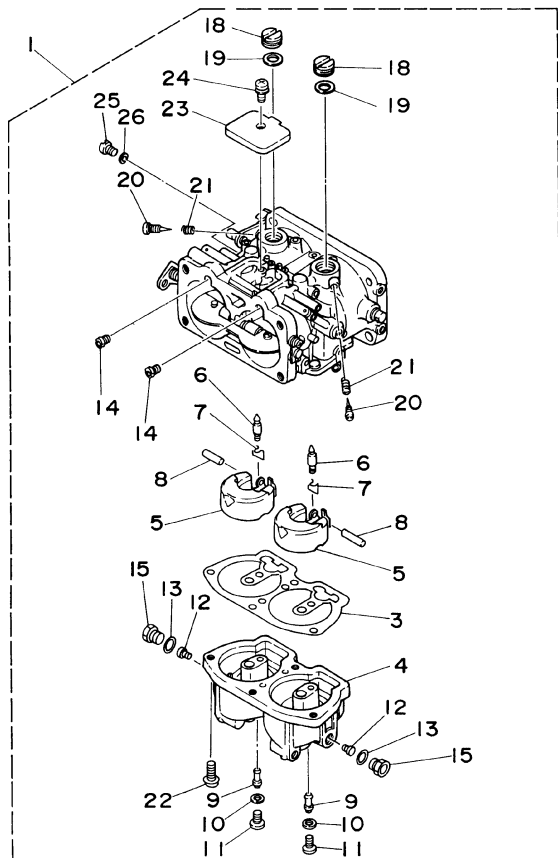


FIG. 5 INTAKE

ADMISION

REF. NO.	PART NO. CODIGO NO.	DESCRIPTION DESCRIPTION	U	U			REMARKS OBSERVACION
28	6E5-14485-00	.PIPE, JOINT .TUBO DE UNION	1	1			
29	90445-07M23	HOSE (L408) TUBO (L408)	1	1			
30	647-14395-60	CAP, OVERFLOW PIPE TAPA DE TUBO REBOSAMIENTO	1	1			
31	6E5-14483-A1	GASKET EMPAQUE	1	1			
32	97013-06020	BOLT PERNO	8	8			
33	92903-06600	WASHER, PLATE ARANDELA	8	8			
34	6E5-14418-00	COVER 2 CUBIERTA 2	1	1			
35	6E5-1441K-00	.EMBLEM .EMBLEMA	1	1			
36	6E5-14416-A1	GASKET, AIR CLEANER EMPAQUE	1	1			
37	90119-06M31	BOLT, WITH WASHER TORNILLO CON ARANDELA	8	8			



6N60010-4060

FIG. 6 CARBURETOR

CARBURADOR

REF. NO.	PART NO. CODIGO NO.	DESCRIPTION DESCRIPTION	Q	Q	REMARKS OBSERVACION
1	6E5-14301-16	CARBURETOR ASSY 1 CARBURADOR COMPLETO 1	1	1	115B
	6E5-14301-41	CARBURETOR ASSY 1 CARBURADOR COMPLETO 1		1	115B-FOR BRAZIL
	6L1-14301-04	CARBURETOR ASSY 1 CARBURADOR COMPLETO 1		1	140B
2	6E5-14302-16	CARBURETOR ASSY 2 CARBURADOR COMPLETO 2	1	1	115B
	6E5-14302-41	CARBURETOR ASSY 2 CARBURADOR COMPLETO 2		1	115B-FOR BRAZIL
	6L1-14302-04	CARBURETOR ASSY 2 CARBURADOR COMPLETO 2		1	140B
3	64D-14384-01	.GASKET, FLOAT CHAMBER .EMPAQUE DE CAMARA DE BOIA	2	2	
4	64D-14381-00	.BODY, FLOAT CHAMBER .CUERPO DE CAMARA DE BOIA	2	2	
5	6E5-14385-02	.FLOAT .BOIA	4	4	
6	6E5-14546-00	.VALVE, NEEDLE .VALVULA DE AGUJA	4	4	
7	6E5-14159-00	.CLIP .PRESILLA	4	4	
8	6E5-14386-02	.PIN, FLOAT .PASADOR DE BOIA	4	4	
9	64D-1492F-39	.JET, AIR SLOW (#78) .ESPREA (#78)	4	4	115B
	6E5-1492F-44	.JET, AIR SLOW (#88) .ESPREA (#88)		4	115B-FOR BRAZIL
	64D-1492F-41	.JET, AIR SLOW (#82) .ESPREA (#82)		4	140B
10	61U-14959-00	.GASKET .EMPAQUE	4	4	
11	64D-14394-00	.VALVE, DRAIN .VALVULA DE DRENAJE	4	4	
12	64D-1492E-88	.JET, MAIN (#176) .INYECTOR, PRINCIPAL (#176)	4	4	115B
	64D-1492E-9H	.JET, MAIN (#195) .INYECTOR, PRINCIPAL (#195)		4	115B-FOR BRAZIL
	64D-1492E-90	.JET, MAIN (#180) .INYECTOR, PRINCIPAL (#180)		4	140B
13	6E5-14398-00	.GASKET .EMPAQUE	4	4	
14	61A-1492H-12	.JET, SLOW AIR BLEED (#60) .ESPREA AIRE(#60)	4	4	
15	61A-14383-01	.SCREW, DRAIN .TORNILLO DE DRENAJE	4	4	
16	6E5-14321-00	.SCREW, THROTTLE .TORNILLO DE OBTURADOR	1	1	#2
17	6J8-14334-00	.SPRING, THROTTLE .RESORTE DE AJUSTADOR DE AIRE	1	1	#2
18	6E5-14328-01	.PLUG .TORNILLO TOPE DE PILOTO	4	4	
19	6E5-14979-00	.GASKET .EMPAQUE DE ARRANQUE	4	4	

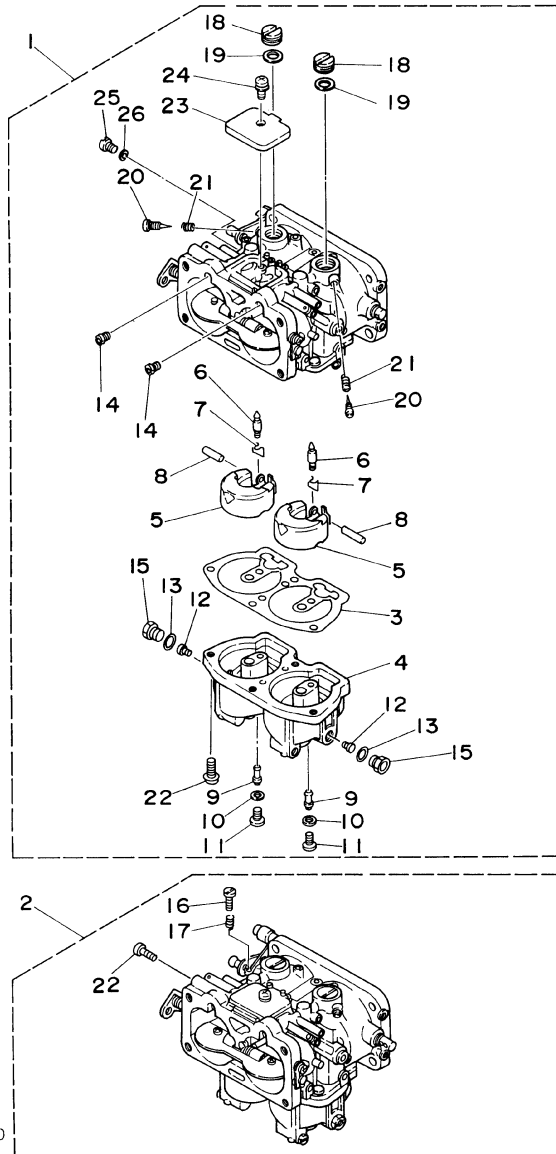


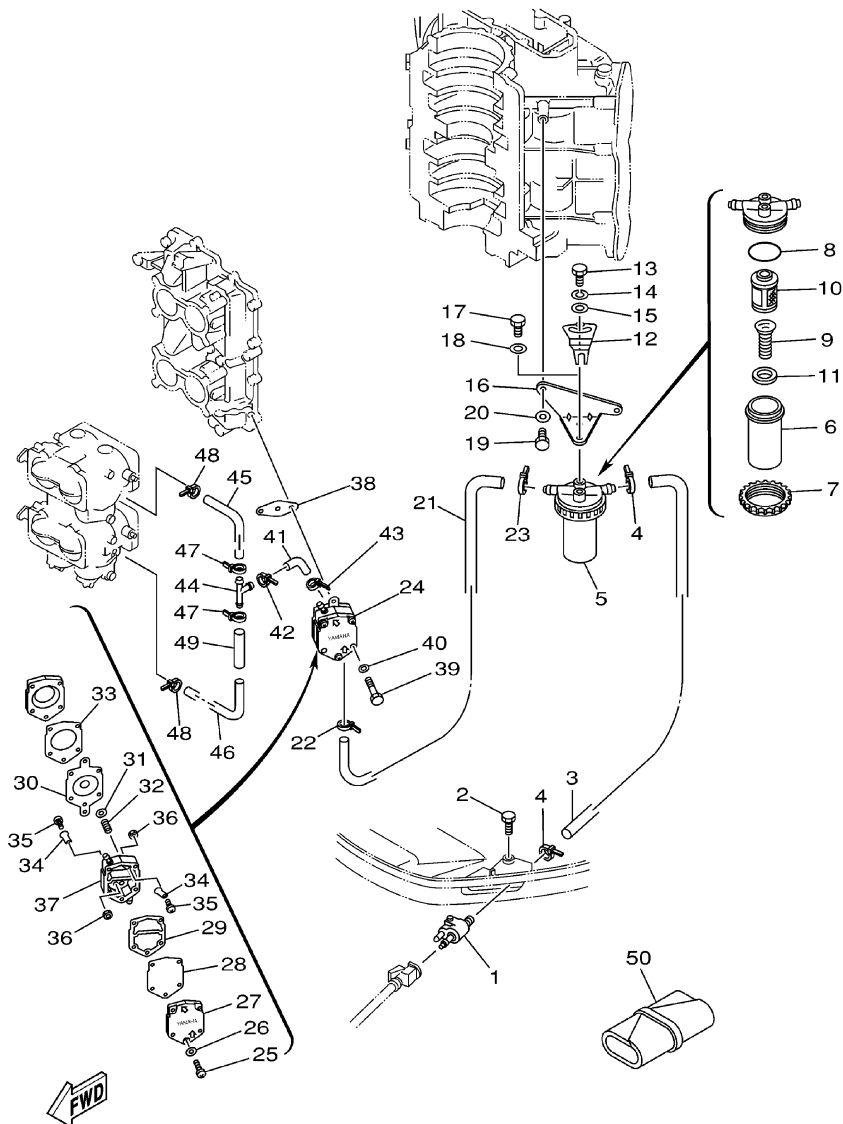
FIG. 6 CARBURETOR

CARBURADOR

REF. NO.	PART NO. CODIGO NO.	DESCRIPTION DESCRIPTION	Q	U		REMARKS OBSERVACION
20	6E5-14323-03	.SCREW, AIR ADJUSTING .TORNILLO DE AJUSTE DE AIRE	4	4		
21	6E5-14223-00	.SPRING, AIR ADJUSTING .RESORTE, AJUSTE DE AIRE	4	4		
22	97980-05116	.SCREW, WITH WASHER .TORNILLO, CON ARANDELA	9	9		
23	6E5-14527-01	.PLATE .PLACA	2	2		
24	97980-05108	.SCREW, WITH WASHER .TORNILLO, CON ARANDELA	2	2		
25	6E5-14324-00	.SCREW, FLAT HEAD .TORNILLO CABEZA PLANA	2	2		
26	6J8-14959-00	.GASKET .EMPAQUE	2	2		

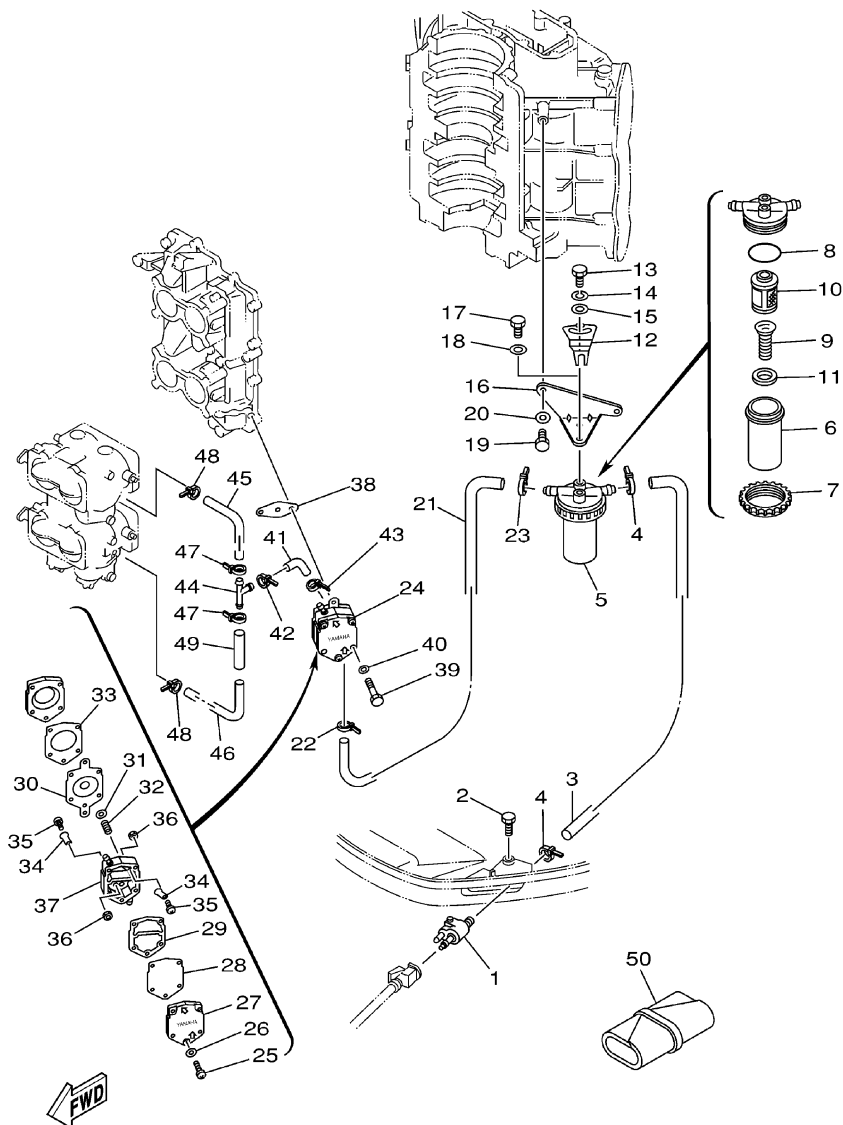
FIG. 7 FUEL 1

COMBUSTIBLE 1



6E50010-1070

REF. NO.	PART NO. CODIGO NO.	DESCRIPTION DESCRIPTION	Q	U		REMARKS OBSERVACION
1	6E5-24304-10	FUEL PIPE JOINT COMP. 1 CONECTOR MANGUERA COMBUST.1	1	1		
2	97095-06028	BOLT PERNO	1	1		
3	61U-24313-00	PIPE 3 TUBO 3	1	1		
4	90465-11M10	CLAMP BRIDA	2	2		
5	61A-24560-04	FILTER ASSY FILTRO COMPLETO	1	1		
6	61A-24521-00	.CUP, FILTER .COPA DE FILTRO	1	1		
7	65L-24531-01	.NUT .TUERCA	1	1		
8	61A-24564-00	.O-RING .ANILLO O	1	1		
9	61A-24577-01	.SPRING .RESORTE	1	1		
10	61A-24563-00	.ELEMENT, FILTER .ELEMENTO DEL FILTRO	1	1		
11	61A-24469-00	.FLOAT, WATER LEVEL .BOIA	1	1		
12	65L-24558-00	HOLDER, FILTER SOPORTE DE FILTRO	1	1		
13	97095-06016	BOLT PERNO	1	1		
14	92995-06100	WASHER, SPRING ARANDELA	1	1		
15	90201-06068	WASHER, PLATE ARANDELA PLANA	1	1		
16	61U-24566-00	BRACKET, FILTER SOPORTE DEL FILTRO	1	1		
17	97095-06014	BOLT PERNO	1	1		
18	92995-06600	WASHER ARANDELA	1	1		
19	97095-06016	BOLT PERNO	2	2		
20	92995-06600	WASHER ARANDELA	2	2		
21	61U-24314-00	PIPE 4 TUBO 4	1	1		
22	90465-11M10	CLAMP BRIDA	1	1		
23	90465-11M10	CLAMP BRIDA	1	1		
24	6E5-24410-03	FUEL PUMP ASSY BOMBA DE COMBUSTIBLE COMPLETA	1	1		
25	98503-05035	.SCREW, PAN HEAD .TORNILLO DE CABEZA CON PLANA	3	3		
26	92903-05600	.WASHER, PLATE .ARANDELA	3	3		
27	6E5-24413-00	.BODY 2 .CUERPO 2	1	1		



6E50010-1070

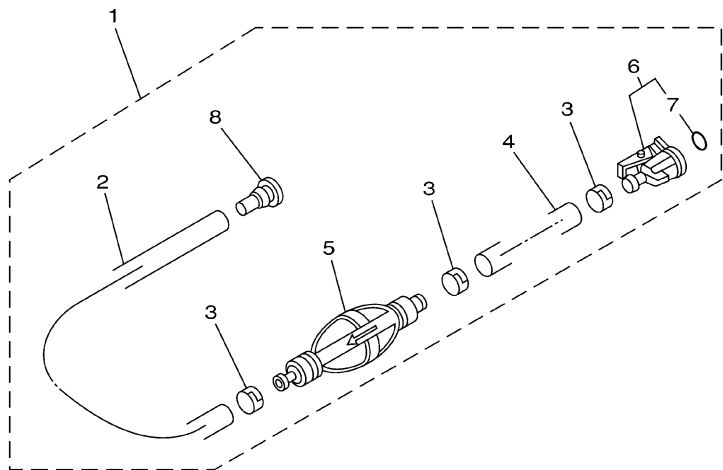
FIG. 7 FUEL 1

COMBUSTIBLE 1

REF. NO.	PART NO. CODIGO NO.	DESCRIPTION DESCRIPTION	Q	LT	REMARKS OBSERVACION
28	6E5-24471-00	.DIAPHRAGM .DIAFRAGMA	1	1	
29	6E5-24435-00	.GASKET, BODY 2 .EMPAQUE	1	1	
30	6E5-24411-00	.DIAPHRAGM .DIAFRAGMA	1	1	
31	648-24424-00	.SEAT, SPRING .PLACA DE RESORTE	1	1	
32	6E5-24423-00	.SPRING, DIAPHRAGM .RESORTE DE DIAFRAGMA	1	1	
33	6E5-24434-02	.GASKET, BODY .EMPAQUE	1	1	
34	6A0-24421-01	.VALVE, CHECK .VALVULA DE RETENCION	4	4	
35	6A0-14325-00	.SCREW, PAN HEAD .TORNILLO CABEZA REDONDA	4	4	
36	95380-03600	.NUT .TUERCA	4	4	
37	6E5-24412-10	.BODY 1 .CUERPO 1	1	1	
38	650-24431-A0	GASKET, FUEL PUMP 1 EMPAQUE BOMBA COMBUST 1	1	1	
39	97095-06050	BOLT PERNO	2	2	
40	92995-06600	WASHER ARANDELA	2	2	
41	6G5-24316-10	PIPE 6 TUBO 6	1	1	
42	90465-11M10	CLAMP BRIDA	1	1	
43	90465-11M10	CLAMP BRIDA	1	1	
44	6E5-24376-10	PIPE, JOINT 1 TUBO DE UNION 1	1	1	
45	6G5-24318-10	PIPE, OVERFLOW TUBO DE REBOSAMIENTO	1	1	
46	6G5-24319-10	PIPE, OIL TUBO DE ACEITE	1	1	
47	90465-11M10	CLAMP BRIDA	2	2	
48	90465-11M10	CLAMP BRIDA	2	2	
49	90446-15M07	HOSE TUBO RESEIRADERO	1	1	
50	656-W2810-02	TOOL KIT JUEGO DE HERRAMIENTAS	1	1	

FIG. 8 FUEL 2

COMBUSTIBLE 2



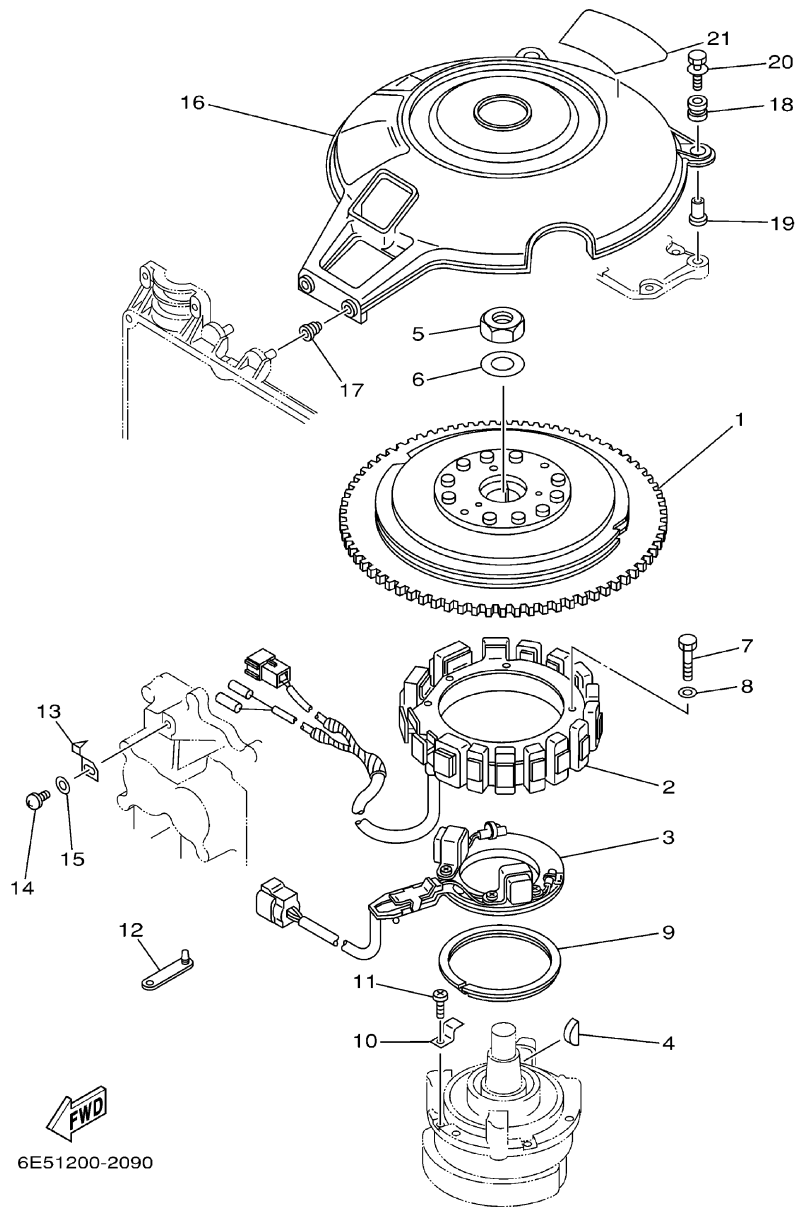
REF. NO.	PART NO. CODIGO NO.	DESCRIPTION DESCRIPTION	U	U		REMARKS OBSERVACION
1	6Y2-24306-A2	FUEL PIPE COMP. 1 TUBO COMBUST. COMPL 1		1		AP 140B-FOR CHINA
2	90445-13M01	.HOSE (L:2050) .MANGUERA (L:2050)		1		
3	6E5-24351-01	.BAND 1 .ABRAZADERA 1		3		
4	90445-13M00	.HOSE (L:850) .MANGUERA (L:850)		1		
5	61J-24360-10	.PRIMER PUMP ASSY .SOPORTE_BOMBA		1		
6	6E5-24305-04	.FUEL PIPE JOINT COMP. 2 .CONECTOR MANGUERA COMBUST.2		1		
7	93210-08287	..O-RING ..ANILLO O		1		
8	90480-06M19	.GROMMET .TAPON		1		



6G50200-0080

FIG. 9 GENERATOR

GENERADOR

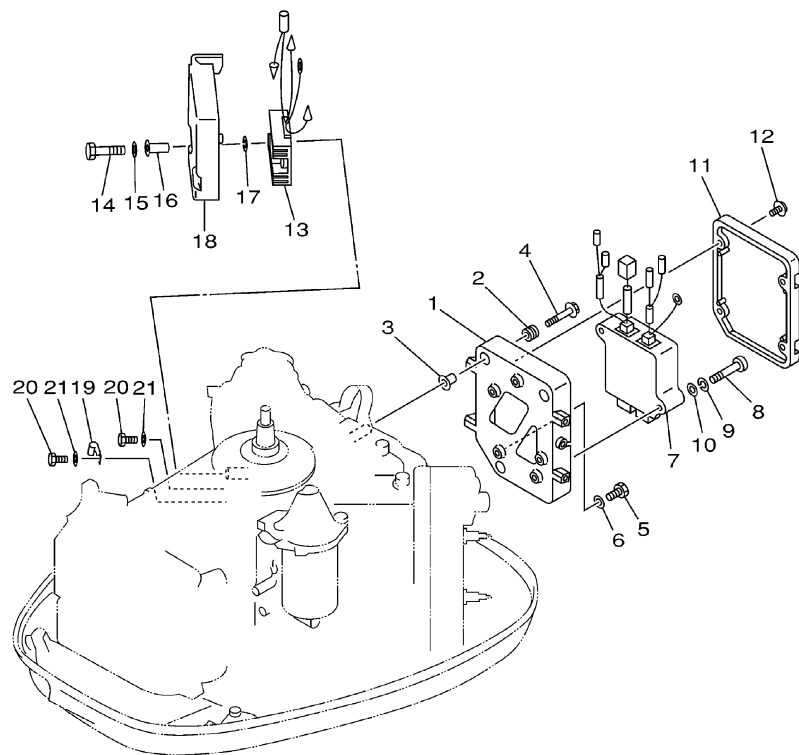


6E51200-2090

REF. NO.	PART NO. CODIGO NO.	DESCRIPTION DESCRIPTION	U	U			REMARKS OBSERVACION
1	6E5-85550-00	ROTOR ASSY ROTOR COMPLETO	1	1			
2	6E5-85510-01	STATOR ASSY ESTATOR COMPLET	1	1			
3	6E5-85580-00	COIL, PULSER BOBINA DE PULSACION	1	1			
4	90280-05015	KEY, WOODRUFF CUNA WOODRUFF	1	1			
5	90201-21M18	WASHER, PLATE ARANDELA PLANA	1	1			
6	90170-20137	NUT TUERCA	1	1			
7	97013-06060	BOLT PERNO	3	3			
8	92903-06600	WASHER, PLATE ARANDELA	3	3			
9	688-41611-00	RETAINER, MAGNETO BASE RETENEDOR BASE MAGNETO	1	1			
10	688-41612-00	RETAINER, MAGNETO BASE RETENEDOR BASE MAGNETO	4	4			
11	97880-06018	SCREW, PAN HEAD TORNILLO DE CABEZA CON PLANA	4	4			
12	90464-12M00	CLAMP BRIDA	1	1			
13	6E5-81332-00	PLATE, TIMING PLACA REGULADOR DE TIEMPO	1	1			
14	97885-06010	SCREW, PAN HEAD TORNILLO DE CABEZA CON PLANA	1	1			
15	92995-06600	WASHER ARANDELA	1	1			
16	6E5-81337-01	COVER, FLYWHEEL CUBIERTA DE VOLANTE	1	1			
17	6G5-82317-00	DAMPER, IGNITION COIL AMORTIGUADOR BOBINA ENCENDIDO	2	2			
18	6A0-82317-00	DAMPER, IGNITION COIL AMORTIGUADOR BOBINA ENCENDIDO	2	2			
19	624-42542-00	PIPE TUBO	2	2			
20	90119-06M65	BOLT, WITH WASHER TORNILLO CON ARANDELA	2	2			
21	6E5-14488-00	LABEL, CAUTION ETIQUETA PRECAUCION	1	1			

FIG. 10 ELECTRICAL 1

EQUIPO ELECTRICO 1



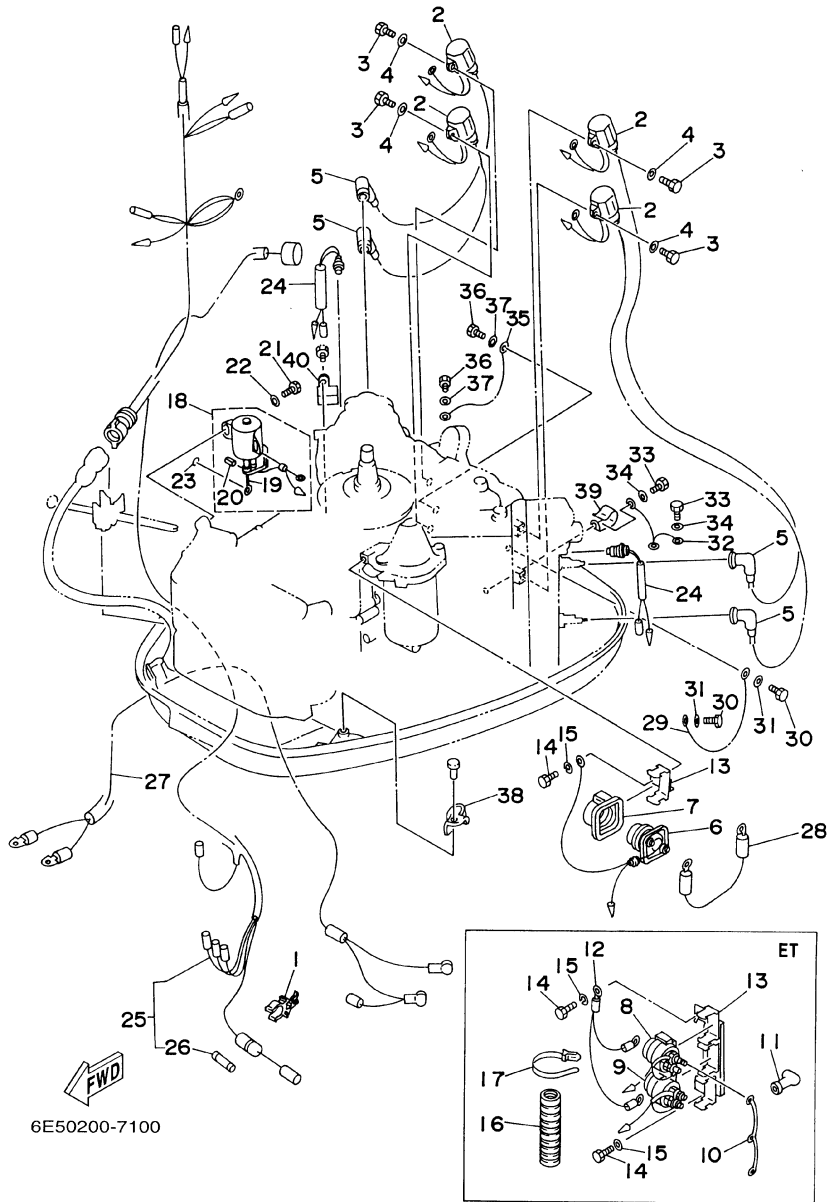
REF. NO.	PART NO. CODIGO NO.	DESCRIPTION DESCRIPTION	Q	U		REMARKS OBSERVACION
1	6N7-85542-01-1S	BRACKET SOPORTE	1	1		
2	6A0-82317-00	DAMPER, IGNITION COIL AMORTIGUADOR BOBINA ENCENDIDO	3	3		
3	624-42542-00	PIPE TUBO	3	3		
4	90119-06M59	BOLT, WITH WASHER TORNILLO CON ARANDELA	3	3		
5	97095-06012	BOLT PERNO	1	1		
6	92995-06600	WASHER ARANDELA	1	1		
7	6E5-85540-00	C.D.I. UNIT ASSY UNIDAD C.D.I. COMPLETA	1	1		
8	97880-06040	SCREW, PAN HEAD TORNILLO DE CABEZA CON PLANA	2	2		
9	92990-06100	WASHER, SPRING ARANDELA	2	2		
10	92990-06600	WASHER, PLATE ARANDELA	2	2		
11	6N7-85537-00	COVER CUBIERTA	1	1		
12	90159-06M11	SCREW, WITH WASHER TORNILLO CON VALONA	4	4		
13	6H0-81960-00	RECTIFIER & REGULATOR ASSY RECTIFICADOR Y REGULADOR	1	1		
14	97013-06045	BOLT PERNO	2	2		
15	92903-06600	WASHER, PLATE ARANDELA	2	2		
16	90387-06M77	COLLAR COLLAR	2	2		
17	90201-06M05	WASHER, PLATE ARANDELA PLANA	2	2		
18	6E5-81961-00	COVER CUBIERTA	1	1		
19	90465-06M86	CLAMP BRIDA	1	1		
20	97095-06012	BOLT PERNO	2	2		
21	92995-06600	WASHER ARANDELA	2	2		



6E50010-0091

FIG. 11 ELECTRICAL 2

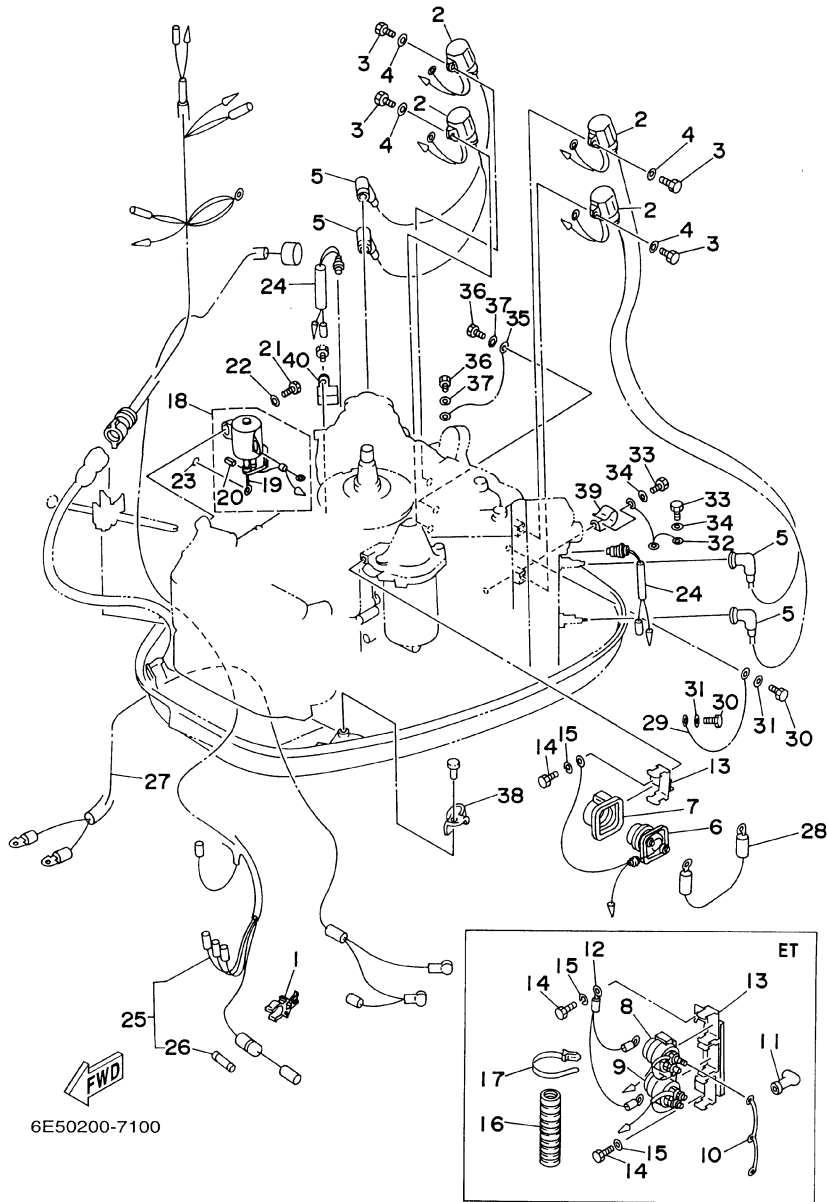
EQUIPO ELECTRICO 2



REF. NO.	PART NO. CODIGO NO.	DESCRIPTION DESCRIPTION	Q	U		REMARKS OBSERVACION
1	6G5-82152-00	HOLDER, FUSE PORTA-FUSIBLES	1	1		
2	6R3-85570-01	IGNITION COIL ASSY BOBINA DE IGNICION COMPLETO	4	4		
3	97095-06020	BOLT PERNO	4	4		
4	92995-06600	WASHER ARANDELA	4	4		
5	663-82370-01	PLUG CAP ASSY TAPON DE BUJIA COMPLT	4	4		
6	61A-81941-00	STARTER RELAY ASSY RELE DE ARRANQUE	1	1		
7	689-81952-10	HOLDER, RELAY SOSTEN DE RELE	1	1		
8	6E5-81950-00	RELAY ASSY RELE COMPLETO	1	1		
9	6E5-8195A-00	RELAY ASSY RELE COMPLETO	1	1		
10	6G5-87149-10	CONNECTOR CONECTOR	1	1		
11	6G5-82119-00	COVER, LEAD WIRE CUBIERTA DE CABLE CONDUCTOR	2	2		
12	6E5-82116-00	WIRE, MINUS LEAD CABLE CONDUCTOR NEGATIVO	1	1		
13	6E5-81948-10 6E5-81948-22	BRACKET SOPORTE BRACKET SOPORTE	1 1	1 1		
14	97095-06016	BOLT PERNO	1	1		
	97095-06016	BOLT PERNO	2	2		
15	92995-06600	WASHER ARANDELA	1	1		
	92995-06600	WASHER ARANDELA	2	2		
16	6N7-83557-00	TUBE ENCHUFE DE ACEITE	1	1		I.DIA.: 22MM
17	90465-13M18	CLAMP BRIDA	1	1		
18	6E5-86110-02	SOLENOID SOLENOIDE	1	1		
19	6E5-86116-01	.WIRE, PULL .ALAMBRE-JALADOR	1	1		
20	91609-30010	.PIN, SPRING .PASADOR DE RESORTE	1	1		
21	97095-06016	BOLT PERNO	2	2		
22	92995-06600	WASHER ARANDELA	2	2		
23	93210-03261	O-RING ANILLO O	1	1		
24	688-82560-10	THERMO SWITCH ASSY INTER. DE TERMO	2	2		

FIG. 11 ELECTRICAL 2

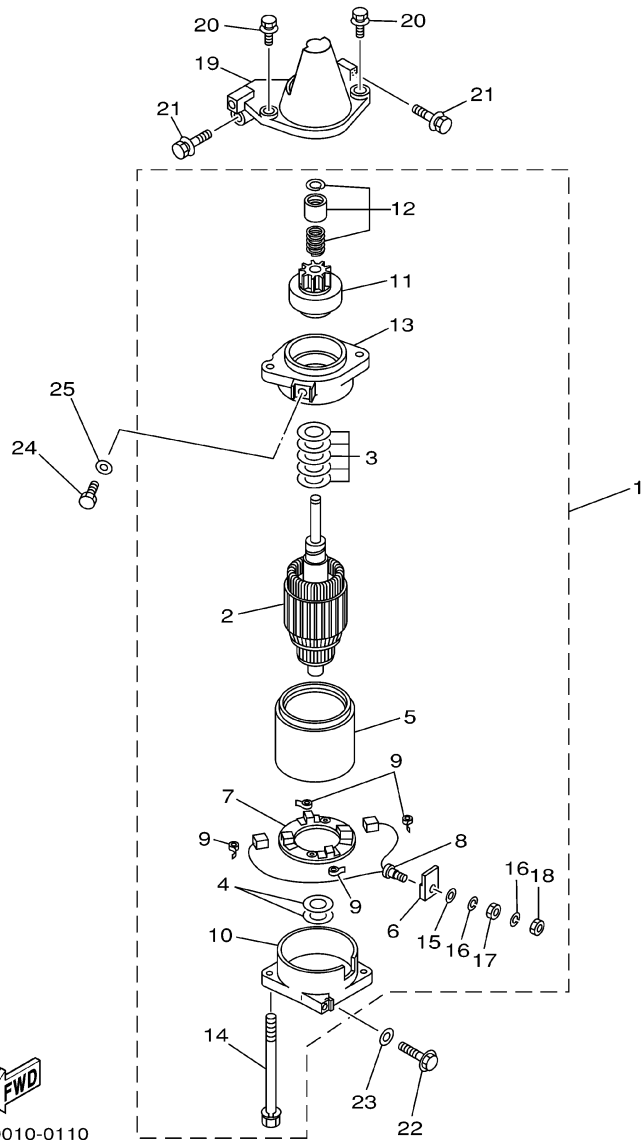
EQUIPO ELECTRICO 2



REF. NO.	PART NO. CODIGO NO.	DESCRIPTION DESCRIPTION	QTY	U	REMARKS OBSERVACION
25	6E5-82590-04	WIRE HARNESS ASSY CONJUNTO DE CABLES	1	1	
26	663-82151-00	.FUSE (12V-20A) .FUSIBLE (12V-20A)	1	1	
27	6E5-82105-12	WIRE HARNESS ARNES DE CABLES	1	1	
28	6E5-82117-01	WIRE, LEAD CABLE CONDUCTOR	1	1	
29	6R3-82519-00	WIRE, EARTH LEAD CABLE CONDUCTOR A TIERRA	1	1	
30	97095-06012	BOLT PERNO	2	2	
31	92995-06600	WASHER ARANDELA	2	2	
32	6E5-82531-10	WIRE, LEAD CABLE CONDUCTOR	1	1	
33	97095-06012	BOLT PERNO	2	2	
34	92995-06600	WASHER ARANDELA	2	2	
35	662-82519-00	WIRE, EARTH LEAD CABLE CONDUCTOR A TIERRA	1	1	
36	97095-06012	BOLT PERNO	2	2	
37	92995-06600	WASHER ARANDELA	2	2	
38	90465-12M25	CLAMP BRIDA	1	1	
39	90465-05M87	CLAMP BRIDA	1	1	
40	90465-08M89	CLAMP BRIDA	1	1	

FIG. 12 STARTING MOTOR

MOTOR DE ARRANQUE

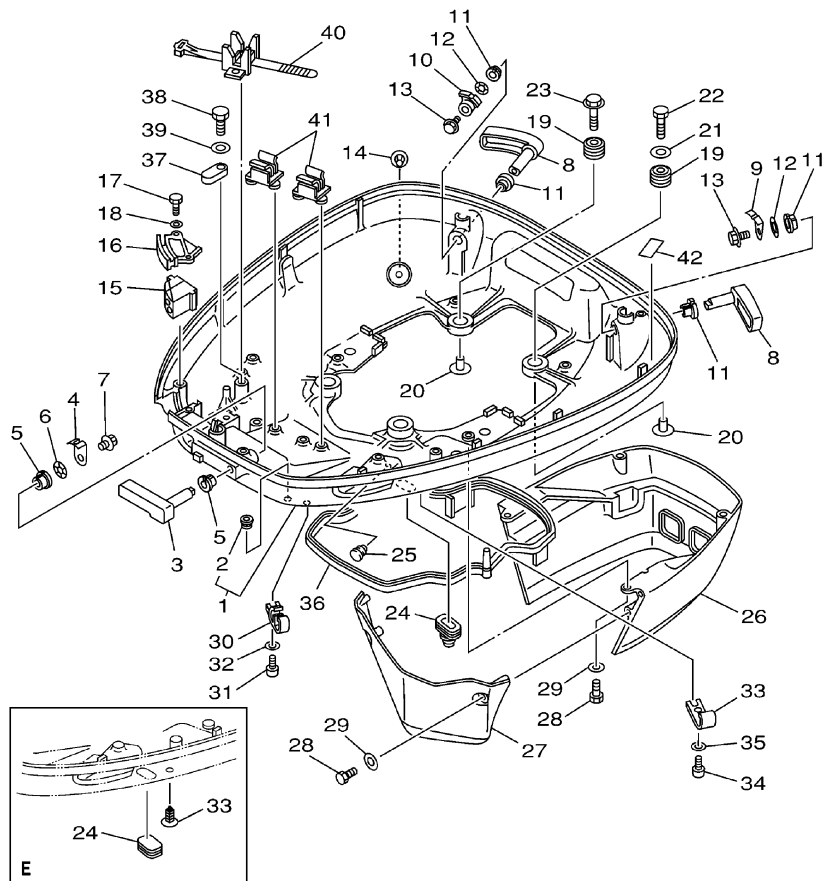


6E50010-0110

REF. NO.	PART NO. CODIGO NO.	DESCRIPTION DESCRIPTION	Q	U		REMARKS OBSERVACION
1	6N7-81800-10	STARTING MOTOR ASSY MOTOR DE ARRANQUE COMPLETO	1	1		
2	6N7-81850-10	.ARMATURE ASSY .INDUCIDO COMPLETO	1	1		
3	61A-81809-00	.WASHER KIT .JUEGO DE ARANDELA	1	1		
4	61A-81824-00	.WASHER 2 .ARANDELA 2	2	2		
5	6N7-81810-00	.STATOR ASSY .ESTATOR COMPLETO	1	1		
6	6K7-8182G-10	.BUSH, TERMINAL .BUJE DE TERMINAL	1	1		
7	6N7-81840-00	.BRUSH HOLDER ASSY .SOSTEN DE ESCOBILLA COMPLETO	1	1		
8	6N7-81801-00	.BRUSH SET .JUEGO DE ESCOBILLA	1	1		
9	6N7-81813-00	.SPRING, BRUSH .RESORTE DE ESCOBILLA	4	4		
10	6N7-81820-10	.REAR BRACKET ASSY .CUBIERTA TRASERA COMPL	1	1		
11	6N7-81807-00	.GEAR ASSY, STARTING MOTOR .PINON CONJUNTO	1	1		
12	6N7-81857-00	.RETAINER .SEGURO	1	1		
13	6N7-81830-00	.FRONT BRACKET ASSY .SOPORTE DELANTERO COMPLETO	1	1		
14	6K7-81826-10	BOLT .PERNO	2	2		
15	6E5-8182E-10	.WASHER .RONDANA	1	1		
16	6E5-8182F-10	.WASHER .RONDANA	2	2		
17	6E5-8182A-10	.NUT .TUERCA	1	1		
18	6E5-8182K-10	.NUT .TUERCA	1	1		
19	6E5-81822-02-98	BRACKET, STARTING MOTOR SOPORTE DE MOTOR DE ARRANQUE	1	1		
20	90119-08M76	BOLT, WITH WASHER TORNILLO CON ARANDELA	2	2		
21	90119-08M77	BOLT, WITH WASHER TORNILLO CON ARANDELA	2	2		
22	90119-08M57	BOLT, WITH WASHER TORNILLO CON ARANDELA	1	1		
23	92990-08600	WASHER, PLATE ARANDELA	1	1		
24	97095-08016	BOLT PERNO	1	1		
25	92995-08600	WASHER ARANDELA	1	1		

FIG. 13 BOTTOM COWLING

CUBIERTA INFERIOR

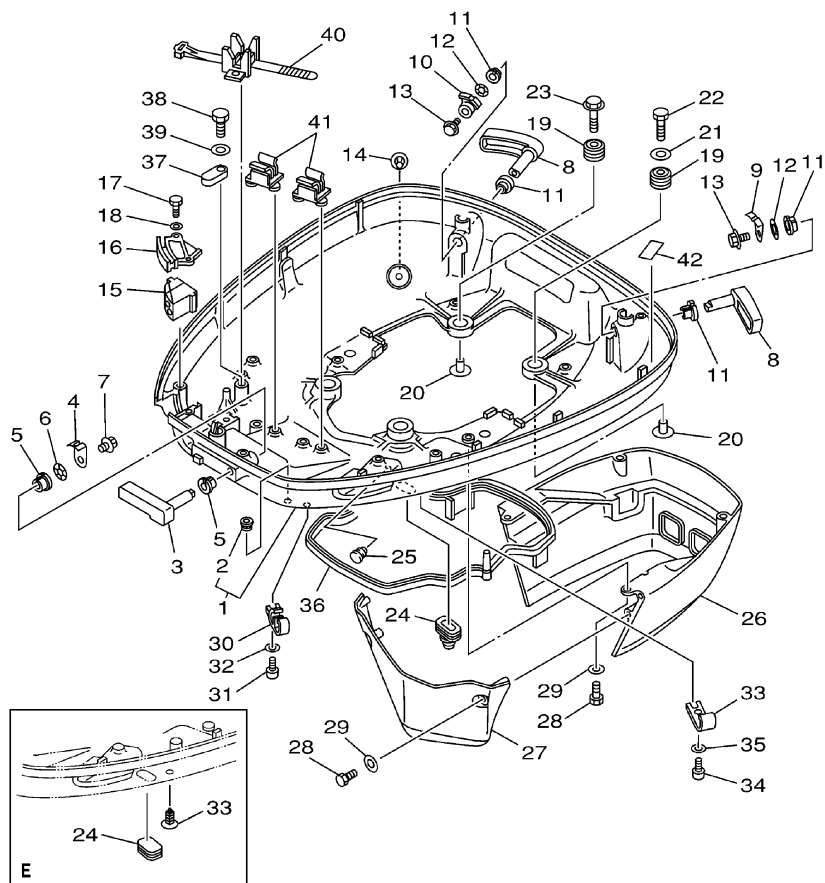


6E51200-2130

REF. NO.	PART NO. CODIGO NO.	DESCRIPTION DESCRIPTION	Q	U		REMARKS OBSERVACION
1	6E5-W4271-05-4D	COWLING, BOTTOM CUBIERTA INFERIOR	1	1		
2	6H4-42748-00	.GROMMET .TAPON	1	1		
3	688-42815-01-4D	LEVER, CLAMP PALANCA ABRAZADERA	1	1		
4	688-42816-00	LEVER, CLAMP PALANCA ABRAZADERA	1	1		
5	90386-13M38	BUSH BUJE	2	2		
6	90206-13M10	WASHER, WAVE ARANDELA ONDULADA	1	1		
7	90119-06M09	BOLT, WITH WASHER TORNILLO CON ARANDELA	1	1		
8	6E5-42817-01-4D	LEVER, CLAMP PALANCA ABRAZADERA	2	2		
9	6G5-42816-00	LEVER, CLAMP PALANCA ABRAZADERA	1	1		
10	6E5-42816-01	LEVER, CLAMP PALANCA ABRAZADERA	1	1		
11	90386-13M38	BUSH BUJE	4	4		
12	90206-13M10	WASHER, WAVE ARANDELA ONDULADA	2	2		
13	90119-06M09	BOLT, WITH WASHER TORNILLO CON ARANDELA	2	2		
14	6E5-44391-00	NIPPLE, HOSE NIPLE MANGUERA	1	1		
15	6E5-42725-00	GROMMET TAPON	1	1		
16	6E5-42738-01-5B	PLATE, FITTING PLACA DE AJUSTE	1	1		
17	97095-06016	BOLT PERNO	2	2		
18	92995-06600	WASHER ARANDELA	2	2		
19	90480-22M15	GROMMET TAPON	4	4		
20	90387-08M37	COLLAR COLLAR	4	4		
21	90201-08M54	WASHER, PLATE ARANDELA PLANA	1	1		
22	97075-08035	BOLT PERNO	1	1		
23	90119-08M22	BOLT, WITH WASHER TORNILLO CON ARANDELA	3	3		
24	688-42726-10	GROMMET TAPON		1		
	6H4-42726-00	GROMMET TAPON	1			
25	90480-10M36	GROMMET TAPON	1	1		
26	6E5-42741-01-4D	APRON MANDIL	1	1		

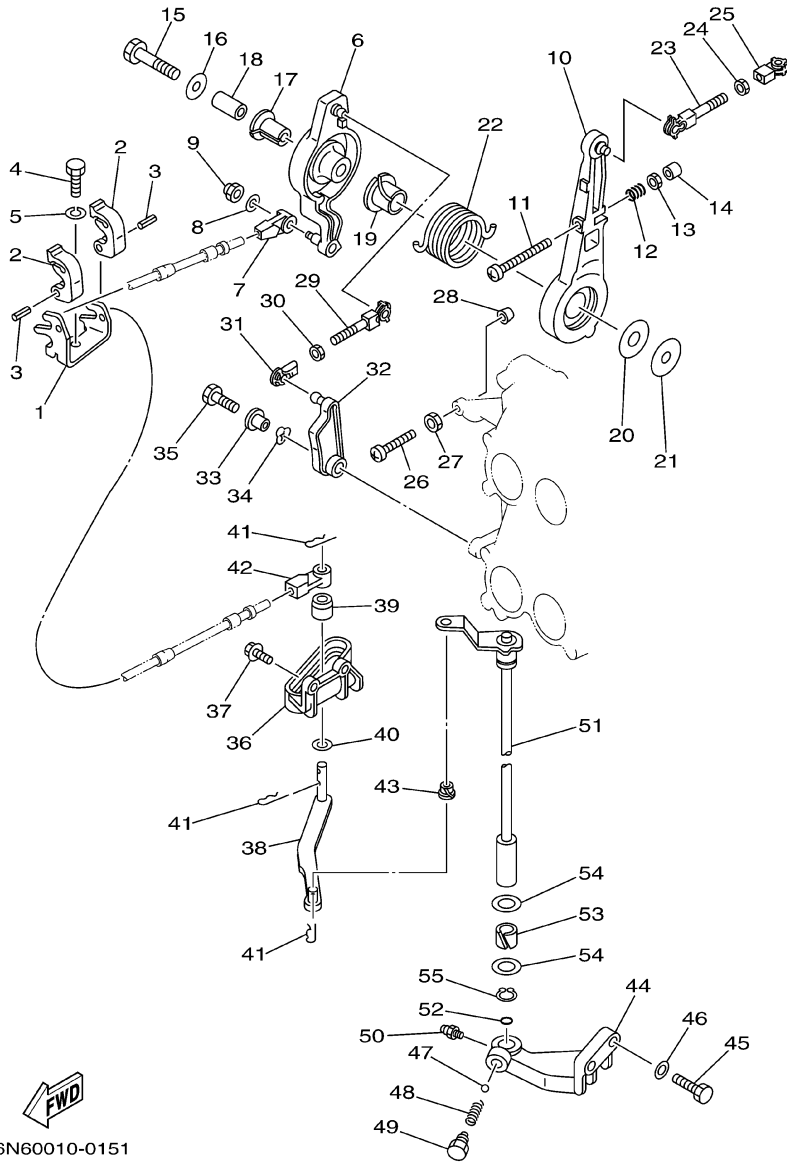
FIG. 13 BOTTOM COWLING

CUBIERTA INFERIOR



6E51200-2130

REF. NO.	PART NO. CODIGO NO.	DESCRIPTION DESCRIPTION	QTY	QTY	REMARKS OBSERVACION
27	6E5-42771-01-4D	APRON MANDIL	1	1	
28	97095-06020	BOLT PERNO	6	6	
29	92995-06600	WASHER ARANDELA	6	6	
30	6E5-24367-01	CLAMP, FUEL PIPE 2 GRAMPA DE TUBO DE COMBUST.2	2	2	
31	90157-06M01	SCREW, PAN HEAD TORNILLO CABEZA CONICA PLANA	2	2	
32	92990-06600	WASHER, PLATE ARANDELA	2	2	
33	6E5-24367-10	CLAMP, FUEL PIPE 2 GRAMPA DE TUBO DE COMBUST.2	1	1	
	90338-05M03	PLUG TAPON	1	1	
34	90157-06M01	SCREW, PAN HEAD TORNILLO CABEZA CONICA PLANA	1	1	
35	92990-06600	WASHER, PLATE ARANDELA	1	1	
36	6E5-42716-00	RUBBER, SEAL 1 SELLO DE GOMA 1	1	1	
37	6E5-82588-00	PLATE PLACA	1	1	
38	97095-06020	BOLT PERNO	1	1	
39	92995-06600	WASHER ARANDELA	1	1	
40	688-82594-00	CLAMP GRAMPA	1	1	
41	6E5-82594-00	CLAMP GRAMPA	2	2	
42	6G5-42791-00	MARK 1 MARCA 1	1	1	115B
	6G5-42791-10	MARK 1 MARCA 1	1	1	115B-FOR CHINA
	6L1-42791-00	MARK 1 MARCA 1	1	1	140B
	6K7-42791-00	MARK 1 MARCA 1	1	1	140B-FOR CHINA



6N60010-0151

FIG. 14 CONTROL

CONTROL

REF. NO.	PART NO. CODIGO NO.	DESCRIPTION DESCRIPTION	Q	U			REMARKS OBSERVACION
1	6E5-48531-00	BRACKET, REMOTE CONTROL 1 SOPORTE DE CONTROL REMOTO	1	1			
2	6E5-48538-00	CLAMP, CABLE 1 GRAMPA DE CABLE	2	2			
3	91690-30012	PIN, SPRING PASADOR DE RESORTE	2	2			
4	97095-08020	BOLT PERNO	1	1			
5	92995-08100	WASHER ARANDELA	1	1			
6	6E5-41632-02-1S	LEVER, MAGNETO CONTROL PALANCA DE CONTROL DE MAGNETO	1	1			
7	6E5-48344-00	CABLE END, REMOTE CONTROL BASE CONTROL	1	1			
8	92990-06200	WASHER, PLAIN ARANDELA	1	1			
9	90185-06M07	NUT, SELF-LOCKING TUERCA AUTOBLOCANTE	1	1			
10	6E5-41631-01-1S	LEVER, MAGNETO CONTROL PALANCA DE CONTROL DE MAGNETO	1	1			
11	90157-06013	SCREW, PAN HEAD TORNILLO CABEZA CONICA PLANA	1	1			
12	90501-16M12	SPRING, COMPRESSION RESORTE DE COMPRESION	1	1			
13	95303-06600	NUT TUERCA	1	1			
14	688-44194-00	CAP TAPA	1	1			
15	97013-08045	BOLT PERNO	1	1			
16	90201-08M23	WASHER, PLATE ARANDELA PLANA	1	1			
17	90386-12089	BUSH BUJE	1	1			
18	90387-08M16	COLLAR COLLAR	1	1			
19	90386-22M13	BUSH BUJE	1	1			
20	90202-12092	WASHER, PLATE ARANDELA DE PLANA	1	1			
21	90201-08M13	WASHER, PLATE ARANDELA PLANA	1	1			
22	90508-29M12	SPRING, TORSION RESORTE DE TORSION	1	1			
23	6E5-41636-01	ROD, MAGNETO CONTROL VARILLA DE CONTROL MAGNETO	1	1			
24	95380-05600	NUT TUERCA	1	1			
25	662-41237-01	JOINT, LINK CONECTOR	1	1			
26	90157-06013	SCREW, PAN HEAD TORNILLO CABEZA CONICA PLANA	1	1			
27	95303-06600	NUT TUERCA	1	1			



6N60010-0151

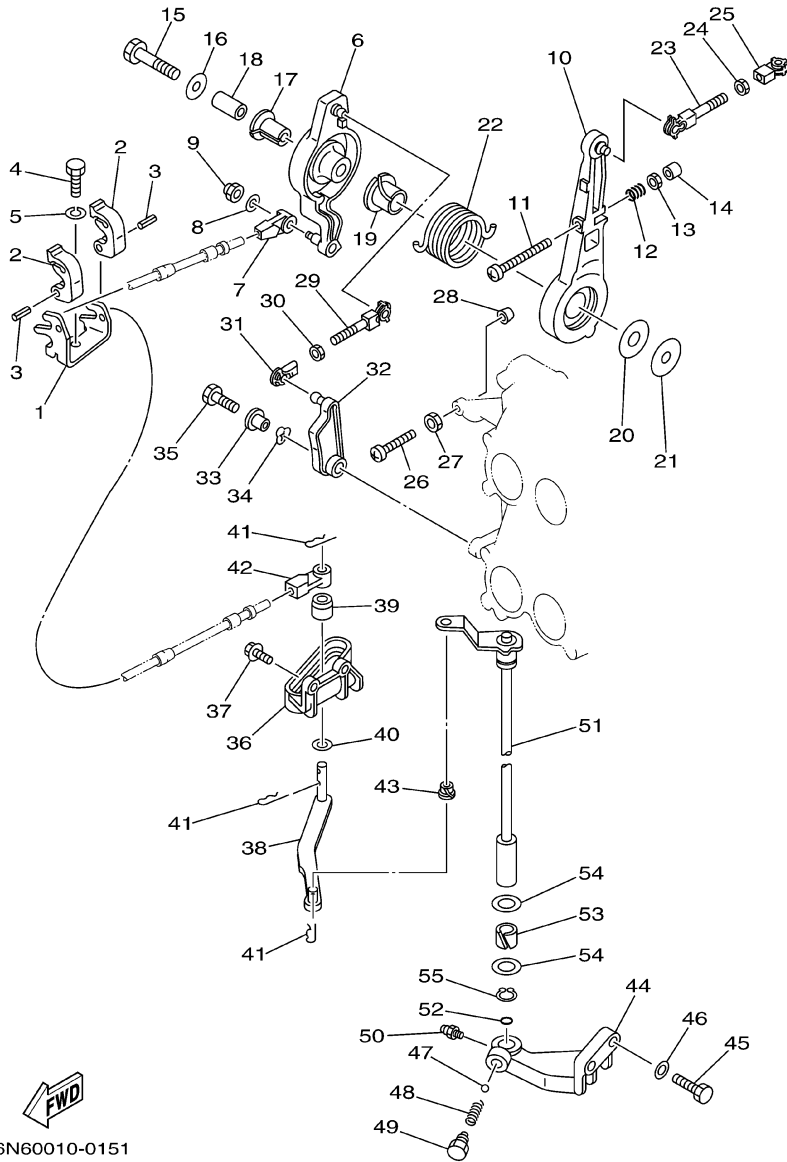


FIG. 14 CONTROL

CONTROL

REF. NO.	PART NO. CODIGO NO.	DESCRIPTION DESCRIPTION	QTY	UNIT	REMARKS OBSERVACION
28	688-44194-00	CAP TAPA	1	1	
29	688-41636-00	ROD, MAGNETO CONTROL VARILLA DE CONTROL MAGNETO	1	1	
30	95380-05600	NUT TUERCA	1	1	
31	662-41237-01	JOINT, LINK CONECTOR	1	1	
32	6E5-41213-00	CAM, ACCEL. LEVA ACELERADOR	1	1	
33	90387-06M29	COLLAR COLLAR	1	1	
34	90206-10M04	WASHER, WAVE ARANDELA ONDULADA	1	1	
35	97095-06025	BOLT PERNO	1	1	
36	6E5-44117-00-1S	BRACKET SOPORTE	1	1	
37	90119-06MA2	BOLT, WITH WASHER TORNILLO CON ARANDELA	2	2	
38	68F-44121-00	LEVER, SHIFT ROD PALANCA VARILLA CAMBIOS	1	1	
39	6E5-44122-00	BUSHING, SHIFT ROD LEVER BUJE PALANCA VARILLA DE CAMBIO	1	1	
40	90202-08M20	WASHER, PLATE ARANDELA DE PLANA	1	1	
41	90468-18008	CLIP PRESILLA	3	3	
42	6E5-48344-00	CABLE END, REMOTE CONTROL BASE CONTROL	1	1	
43	90386-06M12	BUSH BUJE	1	1	
44	6E5-44118-01-94	BRACKET SOPORTE	1	1	
45	97013-08030	BOLT PERNO	2	2	
46	92903-08600	WASHER, PLATE ARANDELA	2	2	
47	93501-04M02	BALL BOLA	1	1	
48	90501-12082	SPRING, COMPRESSION RESORTE DE COMPRESION	1	1	
49	648-42715-00	BUSHING BUJE	1	1	
50	93700-06M03	NIPPLE, GREASE NIPLE DE ENGRASAR	1	1	
51	6E5-44120-03	HANDLE GEAR SHIFT ASSY MANIJA DE CAMBIO COMPL	1	1	L
	6E5-44120-23	HANDLE GEAR SHIFT ASSY MANIJA DE CAMBIO COMPL	1	1	X
52	93210-09165	O-RING ANILLO O	1	1	
53	90386-16M66	BUSH BUJE	1	1	



6N60010-0151

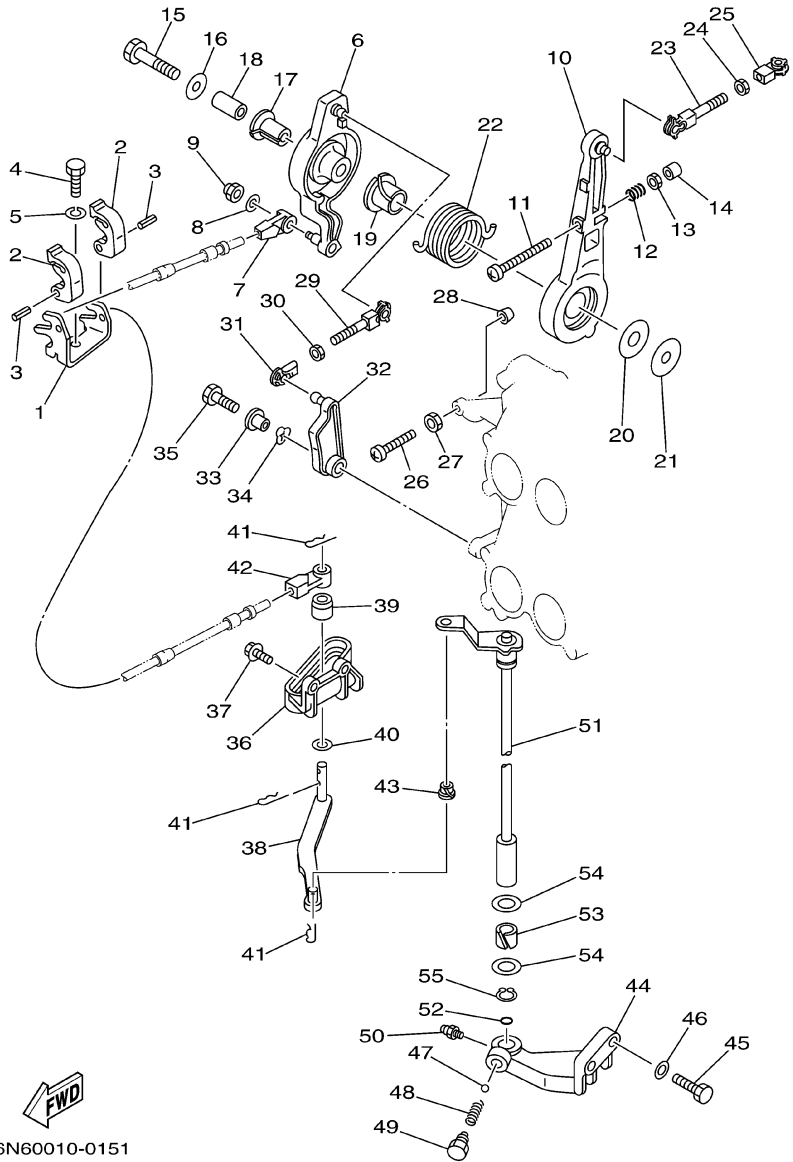


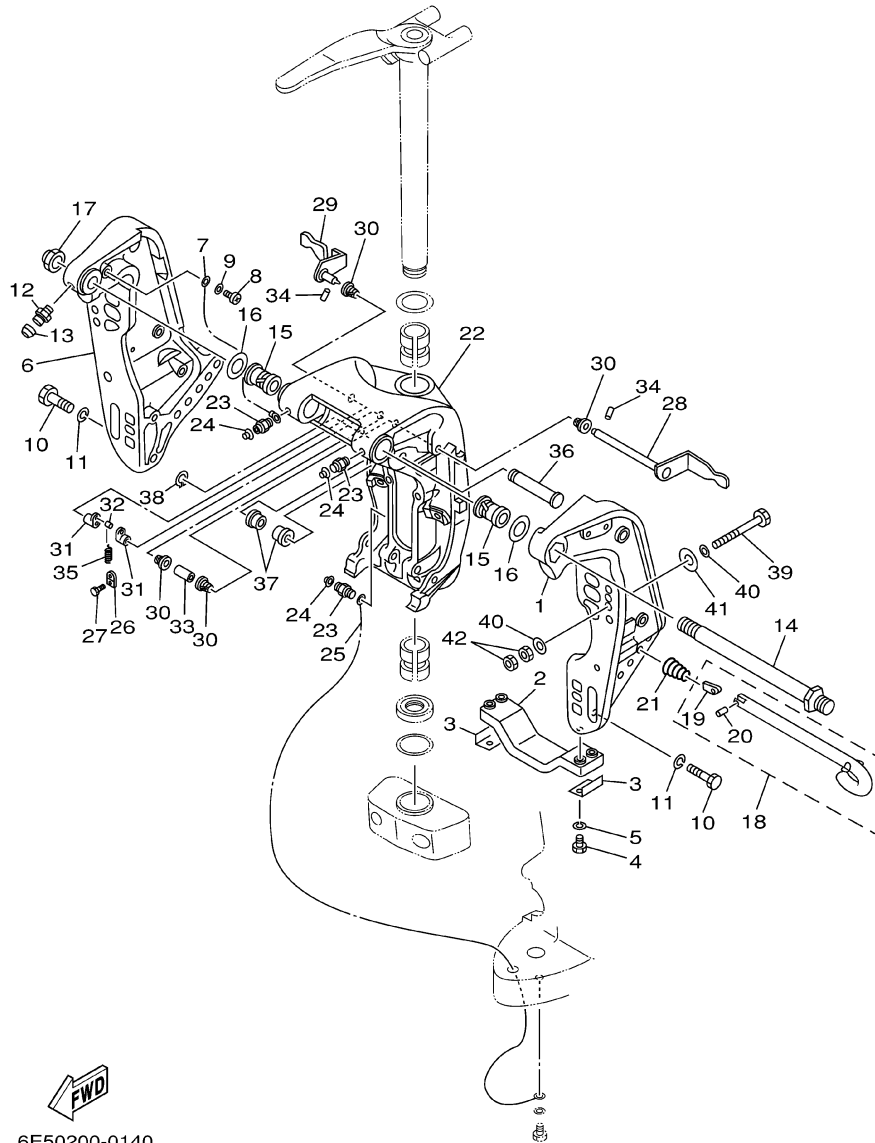
FIG. 14 CONTROL

CONTROL

REF. NO.	PART NO. CODIGO NO.	DESCRIPTION DESCRIPTION	U	U			REMARKS OBSERVACION
54	90202-16061	WASHER, PLATE ARANDELA DE PLANA	2	2			
55	93410-16006	CIRCLIP BOLA	1	1			

FIG. 15 BRACKET 1

SOPORTE 1



6E50200-0140

REF. NO.	PART NO. CODIGO NO.	DESCRIPTION DESCRIPTION	Q	U		REMARKS OBSERVACION
1	6E5-43111-04-8D	BRACKET, CLAMP SOPORTE DE LA ABRAZADERA	1			
2	6G5-45251-02	ANODE CATODE	1			
3	6G5-44526-00	PLATE PLACA 1	2			
4	97095-06030	BOLT PERNO	4			
5	92995-06100	WASHER, SPRING ARANDELA	4			
6	6E5-43112-04-8D	BRACKET, CLAMP SOPORTE DE LA ABRAZADERA	1			
7	6E5-82148-00	WIRE, LEAD 4 CABLE CONDUCTOR 4	1			
8	97880-06012	SCREW, PAN HEAD TORNILLO DE CABEZA CON PLANA	1			
9	92990-06600	WASHER, PLATE ARANDELA	1			
10	97095-10045	BOLT PERNO	6			
11	92995-10100	WASHER ARANDELA	6			
12	93700-06M03	NIPPLE, GREASE NIPLE DE ENGRASAR	1			
13	663-45119-00	CAP, GREASE NIPPLE TAPA DE GRASERA	1			AP
14	6R3-43131-00	BOLT, CLAMP BRACKET TORNILLO DE ABRAZADERA DEL SOP	1			
15	90386-25M31	BUSH BUJE	2			
16	90201-26M59	WASHER, PLATE ARANDELA PLANA	2			
17	90185-22M11	NUT, SELF-LOCKING TUERCA AUTOBLOCANTE	1			
18	6E5-43160-00	TILT ROD ASSY VARILLA DE BASCULACION COMPL.	1			
19	688-43165-00	.PLATE, TILT LOCK .PLACA DE TOPE, VARILLA SEGUR	1			
20	91690-30014	.PIN, SPRING .PASADOR DE RESORTE	1			
21	90502-20M03	SPRING, CONICAL RESORTE CONICO	1			
22	6E5-43311-A2-8D	BRACKET, SWIVEL 1 SOPORTE GIRATORIO 1	1			L
23	93700-06M03	NIPPLE, GREASE NIPLE DE ENGRASAR	3			
24	663-45119-00	CAP, GREASE NIPPLE TAPA DE GRASERA	3			AP
25	6E5-82147-00	WIRE, LEAD 4 CABLE CONDUCTOR 4	1			L
26	6G5-43144-00	HOOK, SPRING GANCHO	1			
27	97095-06010	BOLT PERNO	1			

D7

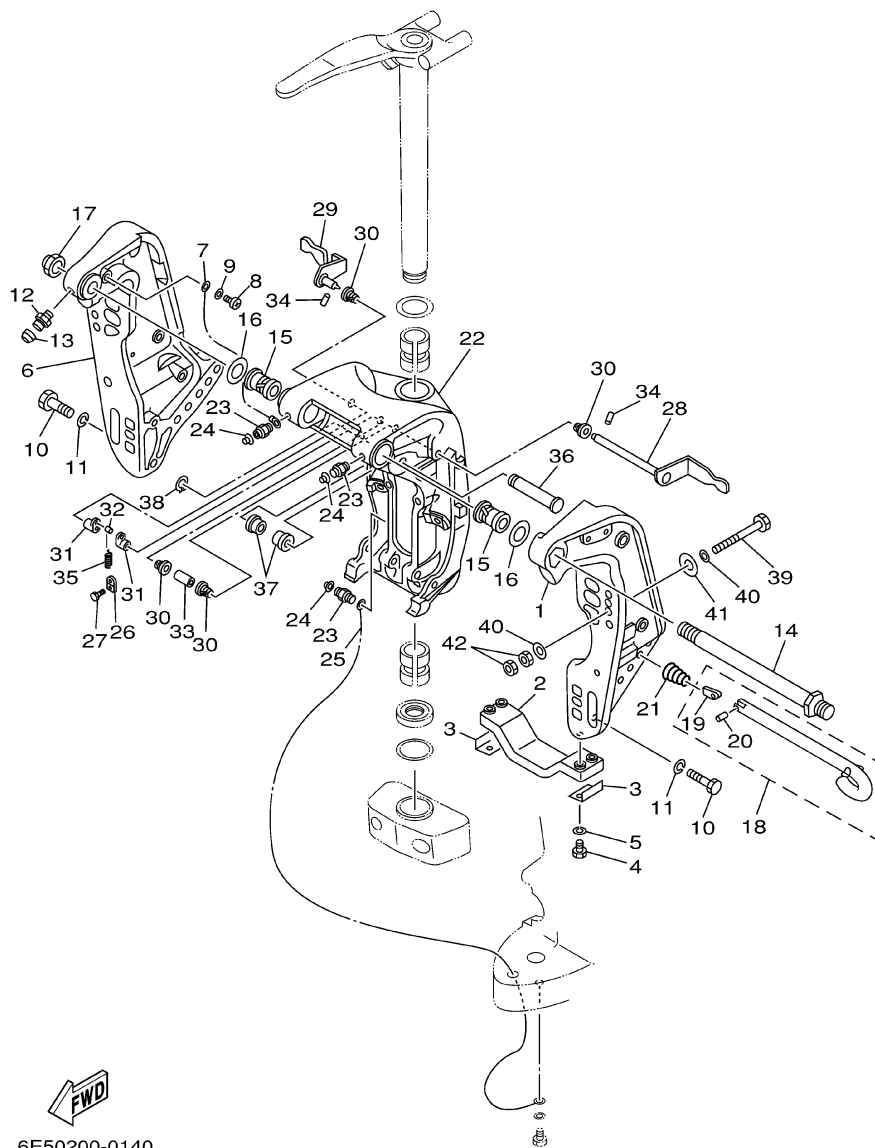


FIG. 15 BRACKET 1

SOPORTE 1

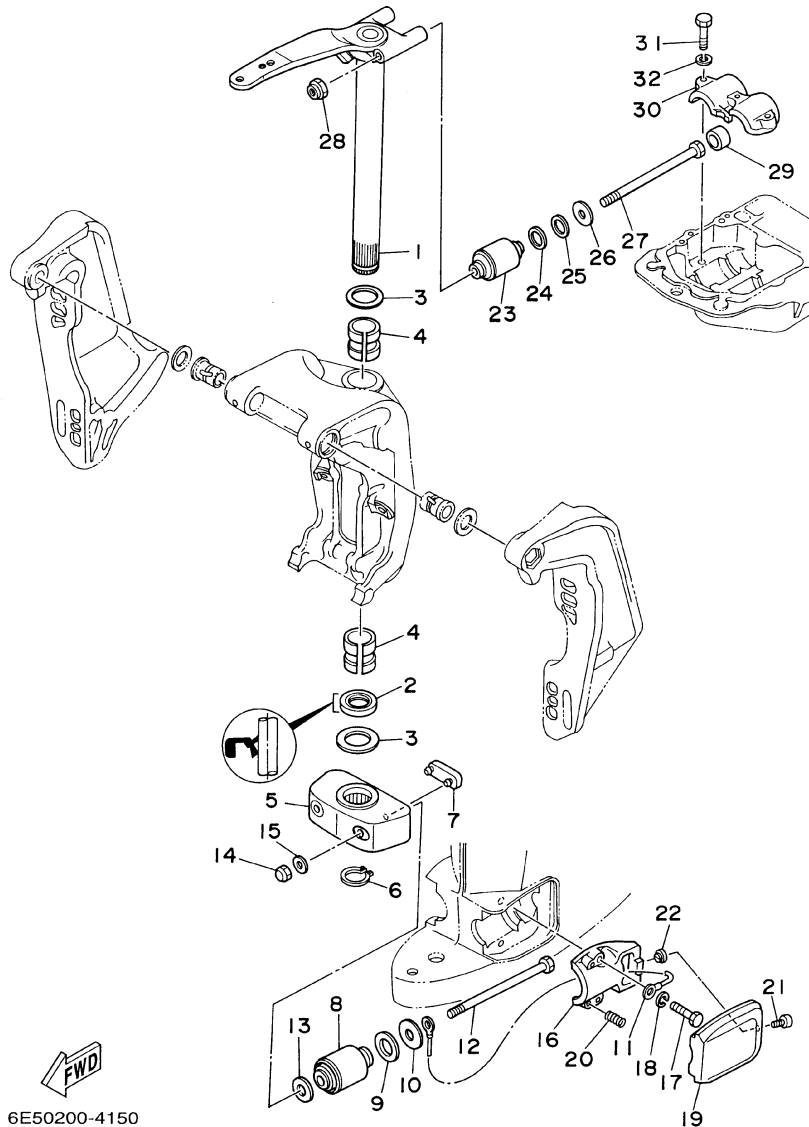
REF. NO.	PART NO. CODIGO NO.	DESCRIPTION DESCRIPTION	Q	E1	REMARKS OBSERVACION
28	61U-43181-00	LEVER, TILT STOP PALANCA TOPE INCLINACION	1		
29	61U-43185-00	LEVER, TILT STOP PALANCA TOPE INCLINACION	1		
30	90386-10M16	BUSH BUJE	4		
31	6G5-43148-00	COLLAR, DISTANCE COLLAR	2		
32	90249-06M19	PIN PASADOR	1		
33	90387-10M05	COLLAR COLLAR	1		
34	91690-30020	PIN, SPRING PASADOR DE RESORTE	2		
35	90506-14M24	SPRING, TENSION RESORTE DE TENSION	1		
36	6E5-43126-02	PIN, UPPER SHOCK MOUNT PASADOR DE AMORTIGUADOR SUPERIOR	1		
37	90386-18M44	BUSH BUJE	2		
38	93410-18M02	CIRCLIP BOLA	1		
39	90101-12M03	BOLT (L:115MM) TORNILLO (L:115MM)	4		
40	90201-13M01	WASHER, PLATE ARANDELA PLANA	8		
41	90201-12M05	WASHER, PLATE ARANDELA PLANA	4		
42	95380-12600	NUT TUERCA	8		

6E50200-0140

E1

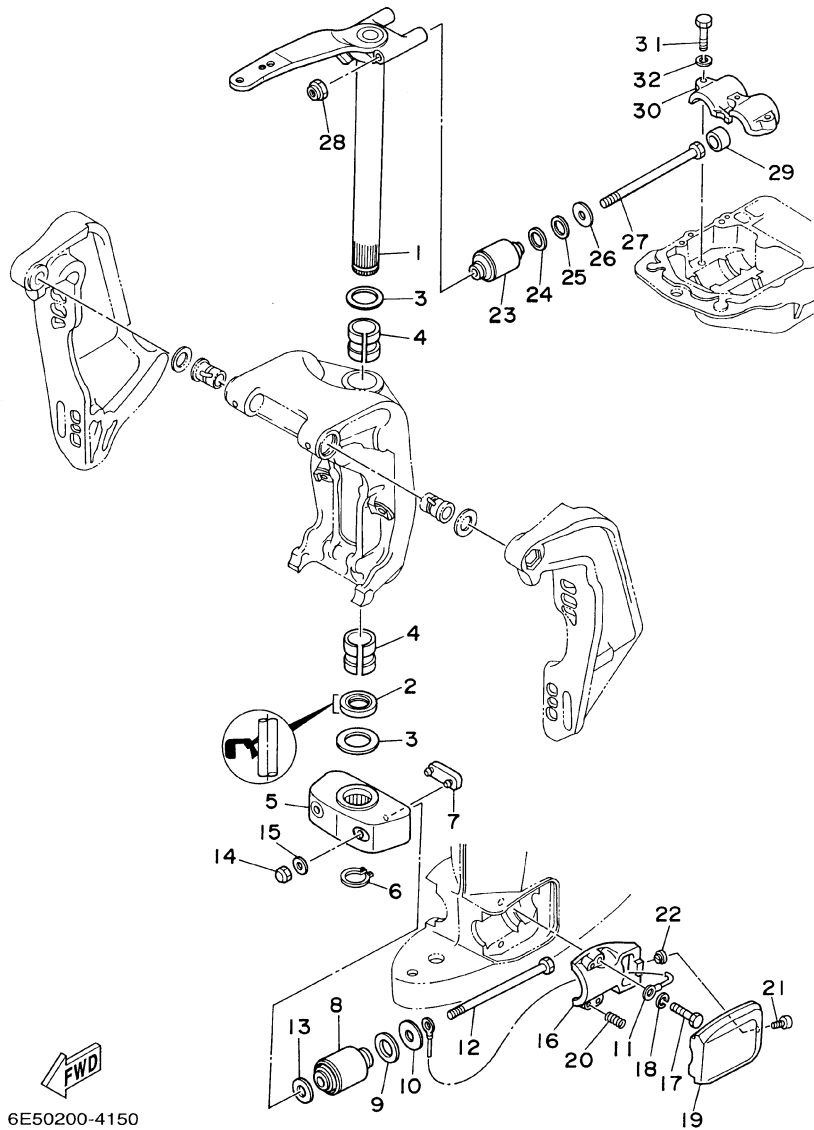
FIG. 16 BRACKET 2

SOPORTE 2



6E50200-4150

REF. NO.	PART NO. CODIGO NO.	DESCRIPTION DESCRIPTION	Q	ET	REMARKS OBSERVACION
1	6E5-42510-05-8D	STEERING BRACKET ASSY SOPORTE DIRECCION COMPL.	1		L
2	93109-38M02	OIL SEAL SELLO ACEITE	1		
3	90201-38M60	WASHER, PLATE ARANDELA PLANA	2		
4	90386-38M32	BUSH BUJE	2		
5	6G5-44551-01-8D	HOUSING, LOWER MOUNT RUBBER CAJA AMORTIGUADOR INFERIOR HU	1		
6	93410-37M04	CIRCLIP BOLA	1		
7	6E5-44575-00	DAMPER, LOWER MOUNT RUBBER AMORTIGUADOR INFERIOR	1		
8	6E5-44555-00-94	MOUNT DAMPER, LOWER SIDE AMORTIGUADOR DE HULE LADO INFE	2		
9	90202-32M19	WASHER, PLATE ARANDELA DE PLANA	2		
10	90201-16M55	WASHER, PLATE ARANDELA PLANA	2		
11	6E5-82149-00	WIRE, LEAD 3 CABLE CONDUCTOR 3	1		
12	90109-14M34	BOLT PERNO	2		
13	90201-15M58	WASHER, PLATE ARANDELA PLANA	2		
14	95380-14800	NUT TUERCA	2		
15	92995-14600	WASHER ARANDELA	2		
16	6E5-44552-01-94	HOUSING, LOWER MOUNT RUBBER CAJA AMORTIGUADOR INFERIOR HU	2		
17	97095-10045	BOLT PERNO	4		
18	92995-10100	WASHER ARANDELA	4		
19	6E5-44553-01-8D	COVER, LOWER MOUNT CUBIERTA, AMORTIGUADOR INFERIOR	2		
20	90501-16M28	SPRING, COMPRESSION RESORTE DE COMPRESION	4		
21	97885-06016	SCREW, PAN HEAD TORNILLO DE CABEZA CON PLANA	2		
22	90179-06066	NUT TUERCA	2		
23	6E5-44514-00-94	MOUNT DAMPER, UPPER SIDE AMORTIGUADOR LADO SUPERIOR	2		
24	90201-26M57	WASHER, PLATE ARANDELA PLANA	2		
25	90202-26M18	WASHER, PLATE ARANDELA DE PLANA	2		
26	90201-14M56	WASHER, PLATE ARANDELA PLANA	2		
27	90109-12M37	BOLT PERNO	2		



6E50200-4150

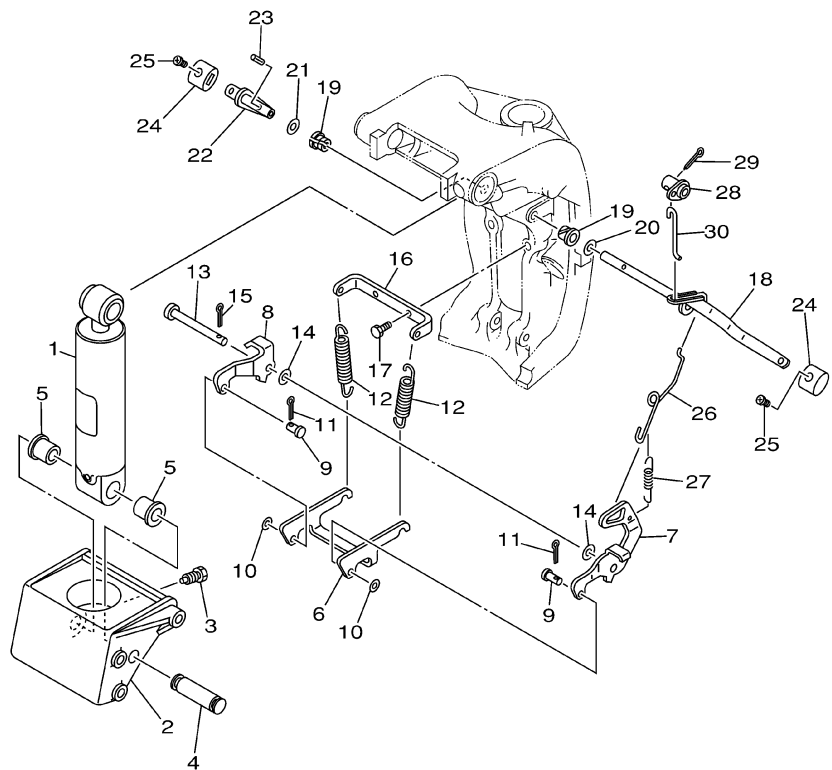
FIG. 16 BRACKET 2

SOPORTE 2

REF. NO.	PART NO. CODIGO NO.	DESCRIPTION DESCRIPTION	E	ET	REMARKS OBSERVACION
28	90185-12M12	NUT, SELF-LOCKING TUERCA AUTOBLOCANTE	2		
29	663-44575-00	DAMPER, LOWER MOUNT RUBBER AMORTIGUADOR INFERIOR	2		
30	6E5-44511-00-5B	COVER, UPPER MOUNT CUBIERTA AMORTIGUADOR SUPERIOR	1		
31	97095-10045	BOLT PERNO	3		
32	92995-10100	WASHER ARANDELA	3		

FIG. 17 BRACKET 3

SOPORTE 3

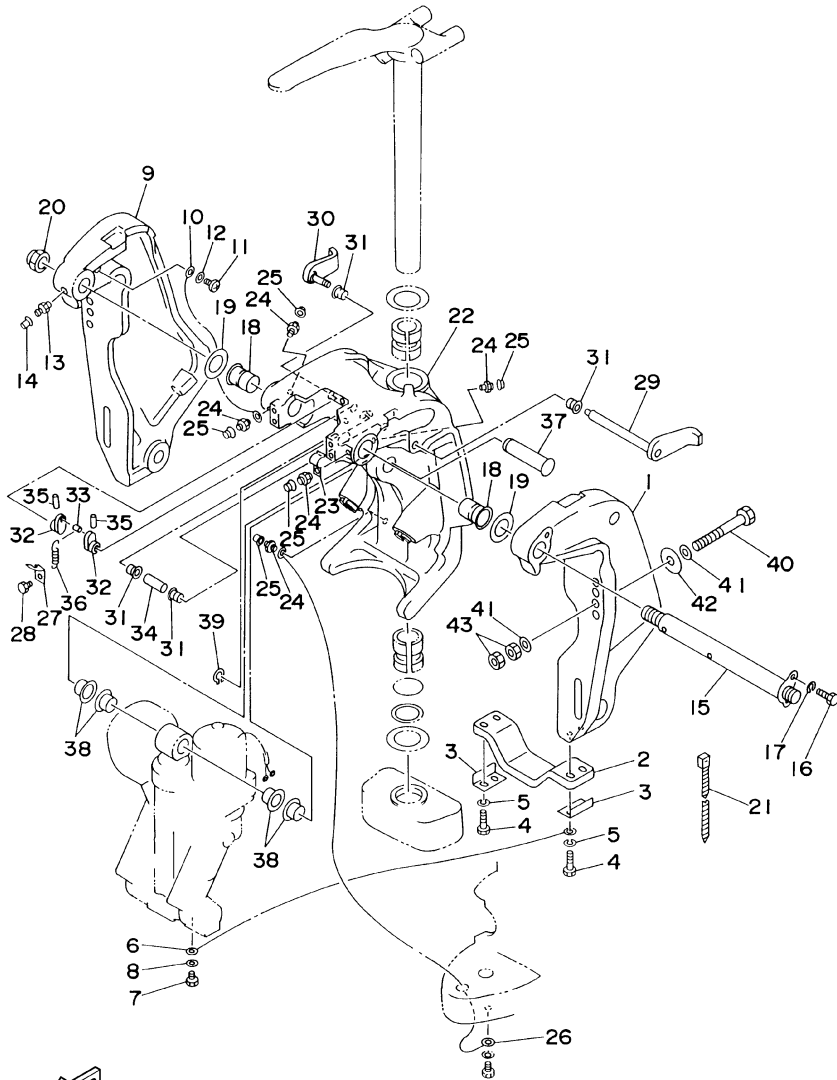


FWD
6E50200-0160

REF. NO.	PART NO. CODIGO NO.	DESCRIPTION DESCRIPTION	Q	U		REMARKS OBSERVACION
1	6E5-43170-00-4D	SHOCK ABSORBER ASSY AMORTIGUADOR COMPL.	1			
2	6E5-43128-00-8D	SPACER, CLAMP BRACKET ESPACIADOR ABRAZADERA SOPORTE	1			
3	90109-06M07	BOLT PERNO	1			
4	6E5-43124-00	PIN, LOWER SHOCK MOUNT PASADOR DE AMORTIGUADOR INFERI	1			
5	90386-18M44	BUSH BUJE	2			
6	6E5-43613-00	ARM, TILT LOCK BRAZO DE SEGURO DE INCLINACION	1			
7	6E5-43614-00	PLATE, TILT LOCK PLACA DE SEGURO DE INCLINACION	1			
8	6E5-43615-00	PLATE, TILT LOCK PLACA DE SEGURO DE INCLINACION	1			
9	90240-06M07	PIN, CLEVIS PASADOR CON HOYO	2			
10	92990-06600	WASHER, PLATE ARANDELA	2			
11	91490-25012	PIN, COTTER PASADOR DE CHAVETA	2			
12	90506-23M10	SPRING, TENSION RESORTE DE TENSION	2			
13	6E5-43659-00	SHAFT, REVERSE LOCK EJE SEGURO DE REVERSA	1			
14	92995-08600	WASHER ARANDELA	2			
15	91490-25012	PIN, COTTER PASADOR DE CHAVETA	1			
16	6E5-43679-00	STOPPER, HOOK TAPON	1			
17	97095-06016	BOLT PERNO	2			
18	6E5-43630-01	TILT LEVER ASSY PLANCA DE INCLINACION COMPL	1			
19	90386-08032	BUSH BUJE	2			
20	90202-08M08	WASHER, PLATE ARANDELA DE PLANA	1			
21	92995-08600	WASHER ARANDELA	1			
22	61U-43631-00	LEVER, TILT PALANCA DE INCLINACION	1			
23	90254-03003	PIN, SPRING PASADOR DE TIPO A RESORTE	1			
24	6E5-43317-00	GRIP MANGO	2			
25	90152-05M00	SCREW, COUNTERSUNK TORNILLO EMBUTIDO	2			
26	6E5-43616-00	ROD, TILT LOCK VARILLA SEGURO DE INCLINACION	1			
27	90506-09M09	SPRING, TENSION RESORTE DE TENSION	1			

FIG. 18 BRACKET 4

SOPORTE 4

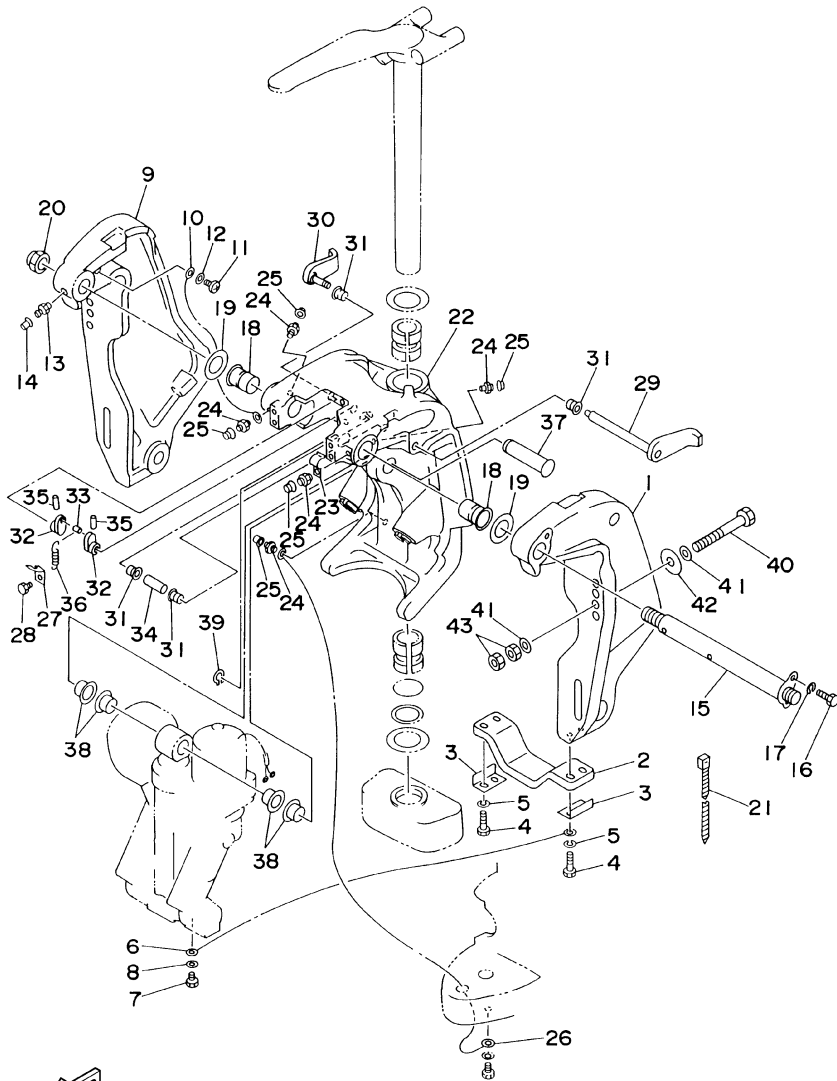


6N60010-7160

REF. NO.	PART NO. CODIGO NO.	DESCRIPTION DESCRIPTION	Q	Q	REMARKS OBSERVACION
1	64E-43111-02-8D	BRACKET, CLAMP SOPORTE DE LA ABRAZADERA		1	
2	6G5-45251-02	ANODE CATODE		1	
3	6G5-44526-00	PLATE PLACA 1		2	
4	97095-06030	BOLT PERNO		4	
5	92995-06100	WASHER, SPRING ARANDELA		4	
6	6E5-82148-00	WIRE, LEAD 4 CABLE CONDUCTOR 4		1	
7	97095-06010	BOLT PERNO		1	
8	92995-06600	WASHER ARANDELA		1	
9	64E-43112-02-8D	BRACKET, CLAMP SOPORTE DE LA ABRAZADERA		1	
10	6E5-82148-00	WIRE, LEAD 4 CABLE CONDUCTOR 4		1	
11	97880-06012	SCREW, PAN HEAD TORNILLO DE CABEZA CON PLANA		1	
12	92990-06600	WASHER, PLATE ARANDELA		1	
13	93700-06M03	NIPPLE, GREASE NIPLE DE ENGRASAR		1	
14	663-45119-00	CAP, GREASE NIPPLE TAPA DE GRASERA		1	AP
15	64E-43131-01	BOLT, CLAMP BRACKET TORNILLO DE ABRAZADERA DEL SOP		1	
16	97095-08020	BOLT PERNO		1	
17	92995-08100	WASHER ARANDELA		1	
18	90386-25M31	BUSH BUJE		2	
19	90201-26M59	WASHER, PLATE ARANDELA PLANA		2	
20	90185-22M11	NUT, SELF-LOCKING TUERCA AUTOBLOCANTE		1	
21	90465-11M10	CLAMP BRIDA		1	
22	64E-43311-10-8D	BRACKET, SWIVEL 1 SOPORTE GIRATORIO 1		1	L
	64E-43311-20-8D	BRACKET, SWIVEL 1 SOPORTE GIRATORIO 1		1	X
23	90465-08M63	CLAMP BRIDA		1	
24	93700-06M03	NIPPLE, GREASE NIPLE DE ENGRASAR		5	
25	663-45119-00	CAP, GREASE NIPPLE TAPA DE GRASERA		5	AP
26	6E5-82147-00	WIRE, LEAD 4 CABLE CONDUCTOR 4		1	L

FIG. 18 BRACKET 4

SOPORTE 4

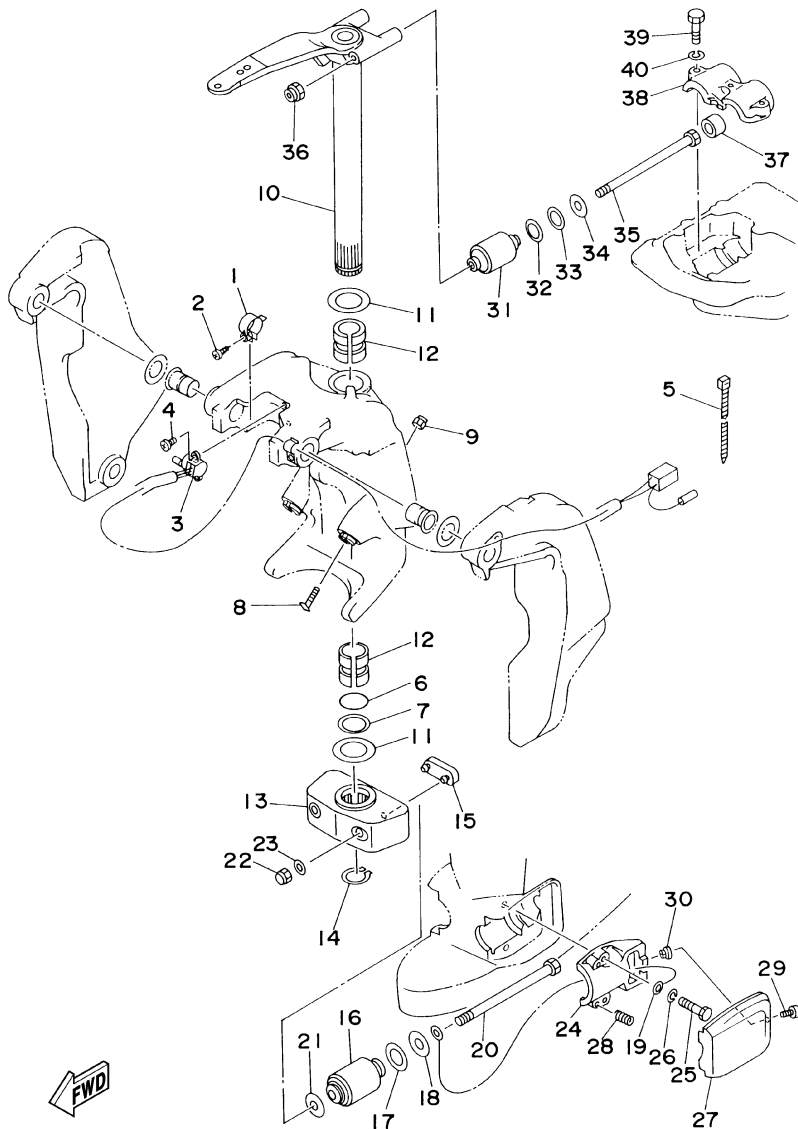


FWD
6N60010-7160

REF. NO.	PART NO. CODIGO NO.	DESCRIPTION DESCRIPTION	Q	Q	REMARKS OBSERVACION
26	6E5-82147-20	WIRE, LEAD 4 CABLE CONDUCTOR 4		1	X
27	6G5-43144-00	HOOK, SPRING GANCHO		1	
28	97095-06010	BOLT PERNO		1	
29	6G5-43181-02	LEVER, TILT STOP PALANCA TOPE INCLINACION		1	
30	6G5-43185-02	LEVER, TILT STOP PALANCA TOPE INCLINACION		1	
31	90386-10M16	BUSH BUJE		4	
32	6G5-43148-00	COLLAR, DISTANCE COLLAR		2	
33	90249-06M19	PIN PASADOR		1	
34	90387-10M05	COLLAR COLLAR		1	
35	91690-30020	PIN, SPRING PASADOR DE RESORTE		2	
36	90506-14M24	SPRING, TENSION RESORTE DE TENSION		1	
37	64E-43126-00	PIN, UPPER SHOCK MOUNT PASADOR DE AMORTIGUADOR SUPERIOR		1	
38	90386-22M98	BUSH BUJE		4	
39	93410-22M11	CIRCLIP BOLA		1	
40	90101-12M03	BOLT (L:115MM) TORNILLO (L:115MM)		4	
41	90201-13M01	WASHER, PLATE ARANDELA PLANA		8	
42	90201-12M05	WASHER, PLATE ARANDELA PLANA		4	
43	95380-12600	NUT TUERCA		8	

FIG. 19 BRACKET 5

SOPORTE 5

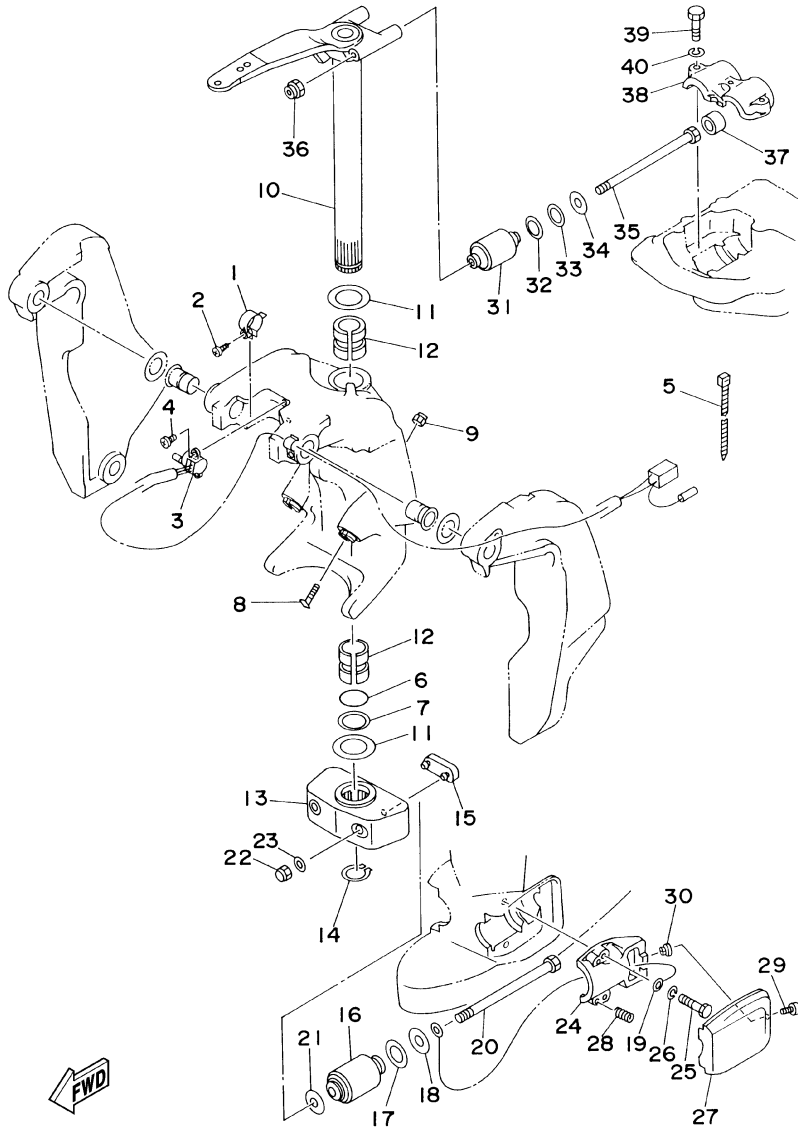


64D0010-7170

REF. NO.	PART NO. CODIGO NO.	DESCRIPTION DESCRIPTION	U	U	REMARKS OBSERVACION
1	64E-43139-02	CAM, TRIM SENDER LEVA TRANSMISOR DE INCLINDOR		1	
2	97780-60525	SCREW, TAPPING TORNILLO ROSCA HEMBRA		1	
3	64E-83672-02	TRIM SENDER TRANSMISOR DE INCLINADOR		1	
4	97885-06016	SCREW, PAN HEAD TORNILLO DE CABEZA CON PLANA		2	
5	90465-11M10	CLAMP BRIDA		3	
6	93210-37MH7	O-RING ANILLO O		1	
7	90202-40M47	WASHER, PLATE ARANDELA DE PLANA		1	
8	61A-43376-00	BOLT, THRUST RECEIVER TORNILLO RECEPTOR		2	
9	95780-10300	NUT, FLANGE TUERCA DE BRIDA		2	
10	6E5-42510-05-8D	STEERING BRACKET ASSY SOPORTE DIRECCION COMPL.		1	L
	6E5-42510-25-8D	STEERING BRACKET ASSY SOPORTE DIRECCION COMPL.		1	X
11	90201-38M60	WASHER, PLATE ARANDELA PLANA		2	
12	90386-38M32	BUSH BUJE		2	
13	6G5-44551-01-8D	HOUSING, LOWER MOUNT RUBBER CAJA AMORTIGUADOR INFERIOR HU		1	
14	93410-37M04	CIRCLIP BOLA		1	
15	6E5-44575-00	DAMPER, LOWER MOUNT RUBBER AMORTIGUADOR INFERIOR		1	
16	6E5-44555-00-94	MOUNT DAMPER, LOWER SIDE AMORTIGUADOR DE HULE LADO INFE		2	
17	90202-32M19	WASHER, PLATE ARANDELA DE PLANA		2	
18	90201-16M55	WASHER, PLATE ARANDELA PLANA		2	
19	6E5-82149-00	WIRE, LEAD 3 CABLE CONDUCTOR 3		1	
20	90109-14M34	BOLT PERNO		2	
21	90201-15M58	WASHER, PLATE ARANDELA PLANA		2	
22	95380-14800	NUT TUERCA		2	
23	92995-14600	WASHER ARANDELA		2	
24	6E5-44552-01-94	HOUSING, LOWER MOUNT RUBBER CAJA AMORTIGUADOR INFERIOR HU		2	
25	97095-10045	BOLT PERNO		4	
26	92995-10100	WASHER ARANDELA		4	

FIG. 19 BRACKET 5

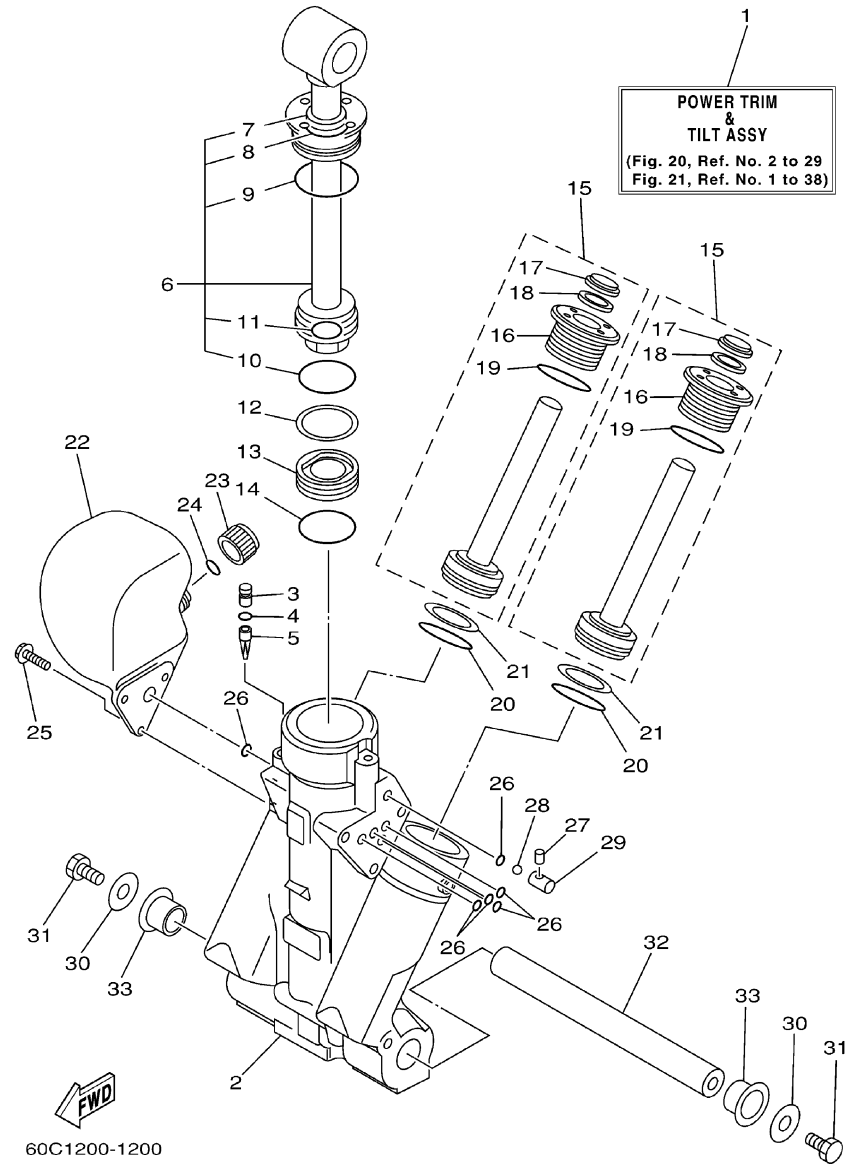
SOPORTE 5



64D0010-7170

REF. NO.	PART NO. CODIGO NO.	DESCRIPTION DESCRIPTION	U	U	REMARKS OBSERVACION
27	6E5-44553-01-8D	COVER, LOWER MOUNT CUBIERTA, AMORTIGUADOR INFERIOR		2	
28	90501-16M28	SPRING, COMPRESSION RESORTE DE COMPRESION		4	
29	97885-06016	SCREW, PAN HEAD TORNILLO DE CABEZA CON PLANA		2	
30	90179-06066	NUT TUERCA		2	
31	6E5-44514-00-94	MOUNT DAMPER, UPPER SIDE AMORTIGUADOR LADO SUPERIOR		2	
32	90201-26M57	WASHER, PLATE ARANDELA PLANA		2	
33	90202-26M18	WASHER, PLATE ARANDELA DE PLANA		2	
34	90201-14M56	WASHER, PLATE ARANDELA PLANA		2	
35	90109-12M37	BOLT PERNO		2	
36	90185-12M12	NUT, SELF-LOCKING TUERCA AUTOBLOCANTE		2	
37	663-44575-00	DAMPER, LOWER MOUNT RUBBER AMORTIGUADOR INFERIOR		2	
38	6E5-44511-00-5B	COVER, UPPER MOUNT CUBIERTA AMORTIGUADOR SUPERIOR		1	
39	97095-10045	BOLT PERNO		3	
40	92995-10100	WASHER ARANDELA		3	

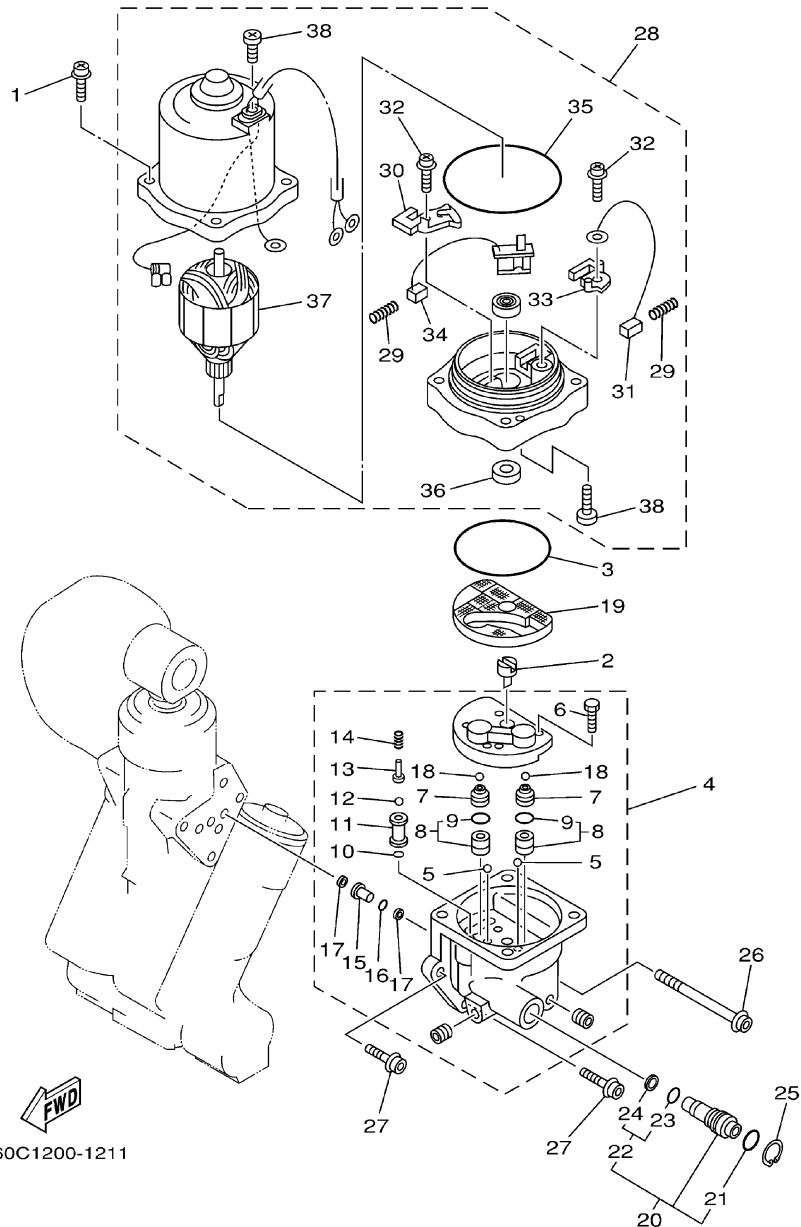
FIG. 20 POWER TRIM & TILT ASSY 1 COMPONER Y PODER VARILLA 1



60C1200-1200

REF. NO.	PART NO. CODIGO NO.	DESCRIPTION DESCRIPTION	QTY	U	REMARKS OBSERVACION
1	64E-43800-02-4D	POWER TRIM & TILT ASSY ELEVADOR HIDRAULICO COMPL	1		
2	64E-43825-01	HOUSING, TRIM & TILT CAJA INCLINACION Y ADRNO	1		
3	64E-4388J-00	PLUG 2 TAPON 2	1		
4	93210-10M74	O-RING ANILLO O	1		
5	64E-43817-00	FILTER 2 FILTRO 2	1		
6	64E-43810-00	TILT PISTON SUB ASSY ELEVADOR SUB-PISTON COMPL	1		
7	64E-43898-00	.SEAL ,DUST 2 .SELLO ANTIPOLVO	1		
8	64E-43867-00	.O-RING .ANILLO EN O 7	1		
9	64E-43866-00	.O-RING .ANILLO EN O 6	1		
10	6E5-43862-00	.O-RING .ANILLO EN O 2	1		
11	64E-43883-00	.O-RING .ANILLO EN O 10	1		
12	6E5-43872-00	RING, BACK UP ANILLO	1		
13	6E5-43814-02	PISTON, FREE PISTON LIBRE	1		
14	6E5-43862-00	O-RING ANILLO EN O 2	1		
15	64E-43820-00	TRIM PISTON SUB ASSY ELEVADOR PISTON COMPL.	2		
16	64E-43821-00	.SCREW, TRIM CYLINDER END .TORNILLO CILINDURO EXTREMO	1		
17	64E-43822-00	.SEAL, TRIM DUST .SELLO DE POLVO	1		
18	64E-4384J-00	.SEAL, TRIM DOWN .SELLO	1		
19	6G5-43864-00	.O-RING .ANILLO EN O 4	1		
20	6E5-43864-00	O-RING ANILLO EN O 4	2		
21	6E5-43874-01	RING, BACK UP ANILLO	2		
22	64E-43828-00	BODY, RESERVOIR CUERPO DEPOSITO	1		
23	64E-43829-00	PLUG, RESERVOIR TAPON DEPOSITO	1		
24	64E-43897-00	O-RING ANILLO EN O	1		
25	64E-4388E-00	BOLT ,SCREW (L:14MM) PERNO (L:14MM)	3		
26	64E-43869-00	O-RING ANILLO EN O 9	6		
27	64E-4381G-00	PIN PASADOR 1	1		

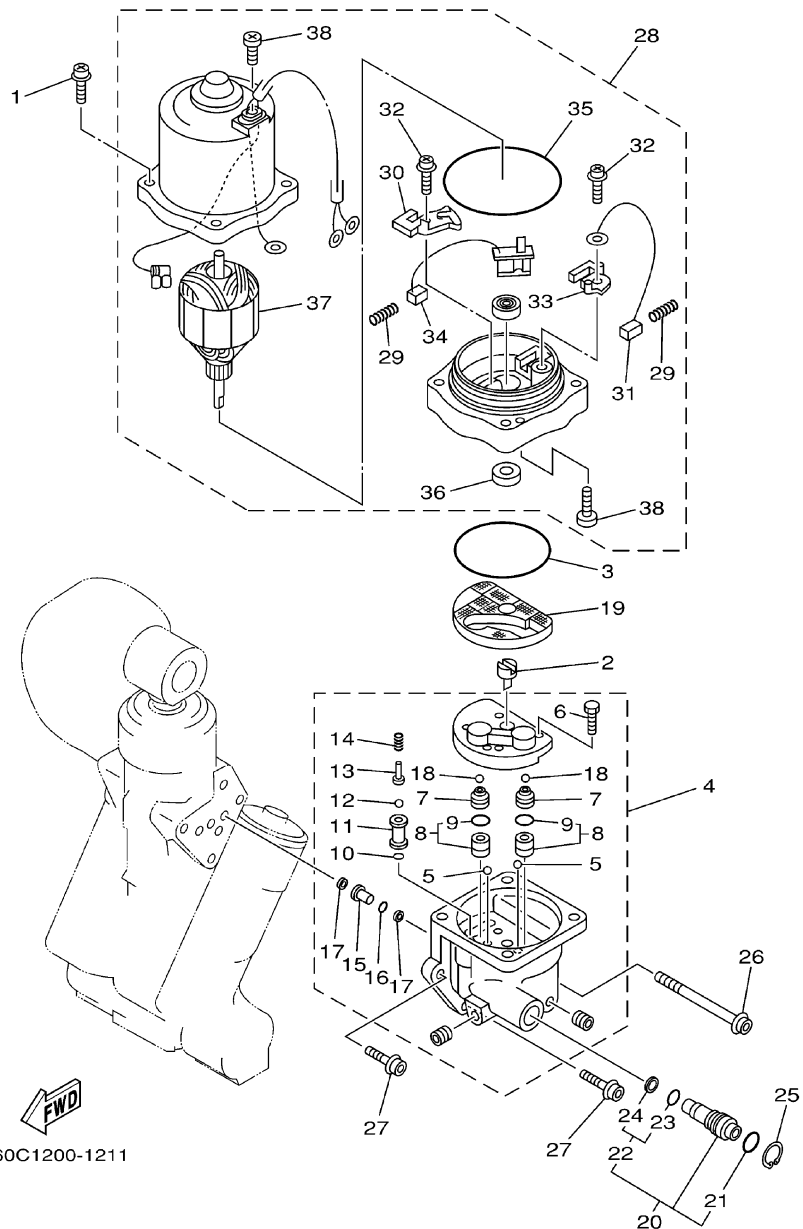
FIG. 21 POWER TRIM & TILT ASSY 2 COMPONER Y PODER VARILLA 2



60C1200-1211

REF. NO.	PART NO. CODIGO NO.	DESCRIPTION DESCRIPTION	Q	Q	REMARKS OBSERVACION
1	64E-4388E-10	BOLT ,SCREW (L:34.7MM) PERNO (L:34.7MM)		4	
2	64E-43831-00	CONNECTOR, SHAFT CONEXION EJE		1	
3	64E-43868-00	O-RING ANILLO EN O 8		1	
4	64E-43830-00	GEAR PUMP ASSY ENGRANAJE BOMBA COMPL.		1	
5	72X-43858-00	.BALL .ESFERA		2	
6	64E-43843-00	.SCREW, VALVE LOCK .TORNILLO		4	
7	64E-43841-00	.PISTON, SHUTTLE .PISTON		2	
8	64E-43802-00	.VALVE SUB ASSY .VALVULA PRINCIPAL COMPL.		2	
9	6E5-43896-00	..O-RING ..ANILLO EN O		1	
10	6G5-43863-00	.O-RING ..ANILLO EN O 3		1	
11	64E-43851-00	.SEAT, RELIEF VALVE .ASIENTO VALVULA DE DESCARGA		1	
12	64E-43858-00	.BALL .ESFERA		1	
13	64E-43859-00	.PIN, VALVE SUPPORT .PASADOR VALVULA SOPORTE		1	
14	64E-43855-00	.SPRING, UP RELIEF .RESORTE SEGURIDAD SUPERIOR		1	
15	64E-43850-00	.VALVE SUB ASSY .VALVULA COMPL		1	
16	64E-43865-00	O-RING ANILLO EN O 5		1	
17	64E-43816-00	.FILTER 1 .FIELTRO 1		2	
18	64E-43858-00	.BALL .ESFERA		2	
19	64E-43817-10	FILTER 2 FIELTRO 2		1	
20	64E-43860-00	MANUAL VALVE SUB-ASSY VALVULA SUB-COMPL.		1	
21	72X-85075-L0	O-RING ANILLO EN O 5		1	
22	64E-43827-00	.RING SET .ESFERA		1	
23	64E-4387A-00	..O-RING ..ANILLO O		1	
24	64E-43873-00	..RING, BACK UP ..ANILLO		1	
25	64E-43875-00	RING, SNAP ANILLO		1	
26	64E-43879-10	SCREW, WITH WASHER TORNILLO CON RONDANA		1	
27	64E-43879-00	SCREW, WITH WASHER TORNILLO CON RONDANA		2	

FIG. 21 POWER TRIM & TILT ASSY 2 COMPONER Y PODER VARILLA 2

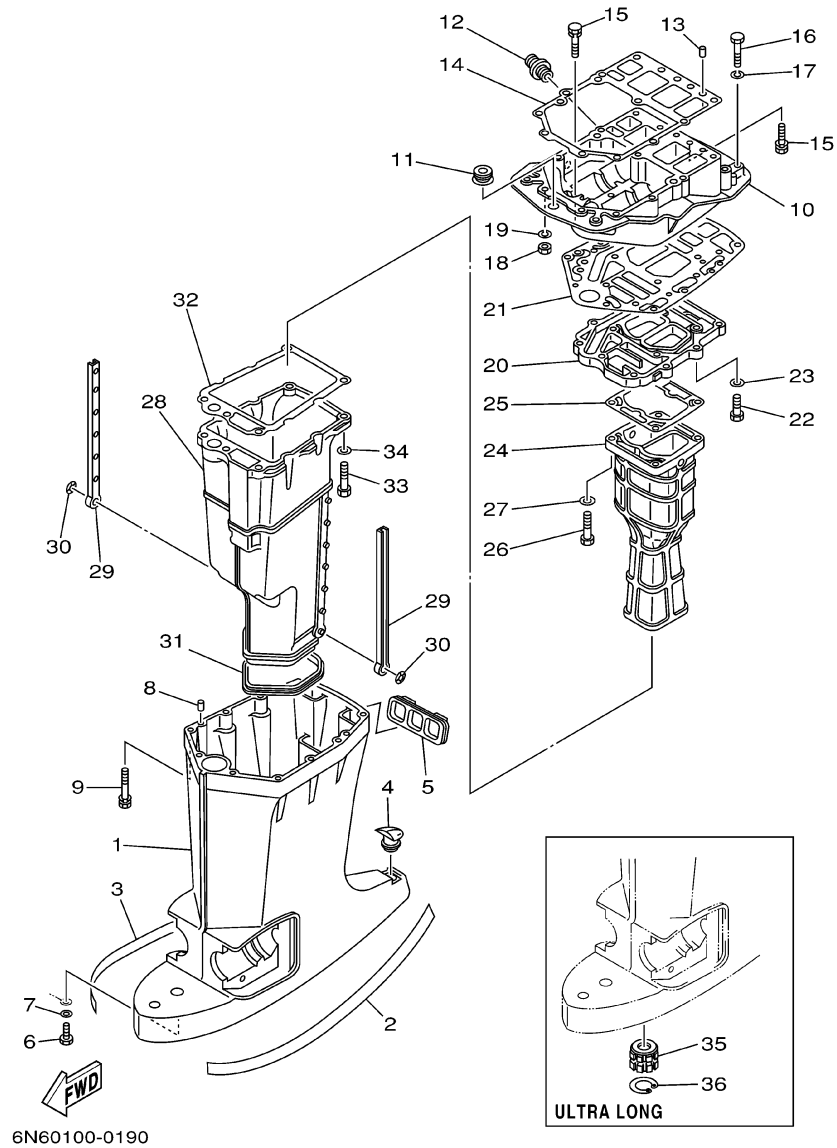


60C1200-1211

REF. NO.	PART NO. CODIGO NO.	DESCRIPTION DESCRIPTION	QTY	UNIT	REMARKS OBSERVACION
28	64E-43880-01	MOTOR ASSY MOTOR COMPL.	1		
29	6H1-4386K-10	.SPRING, BRUSH .RESORTE, ESCOBILLA	2		
30	64E-4380J-00	.HOLDER, BRUSH .PORTAESCOBILLA	1		
31	64E-43891-00	.BRUSH 1 .ESCOBILLA 1	1		
32	97607-04310	.SCREW, PAN HEAD WITH WASHER .TORNILLO CAB CON PLANA C/ARAN	2		
33	64E-4380F-00	.HOLDER, BRUSH 2 .PORTAESCOBILLA 2	1		
34	64E-43892-00	.BRUSH 2 .ESCOBILLA 2	1		
35	6G5-43865-00	.O-RING .ANILLO EN O 5	1		
36	93102-08M43	.OIL SEAL .SELLO ACEITE	1		
37	64E-43805-00	.ARMATURE ASSY .INDUCIDO COMPL.	1		
38	64E-43843-10	.SCREW, VALVE LOCK .TORNILLO	3		

FIG. 22 UPPER CASING

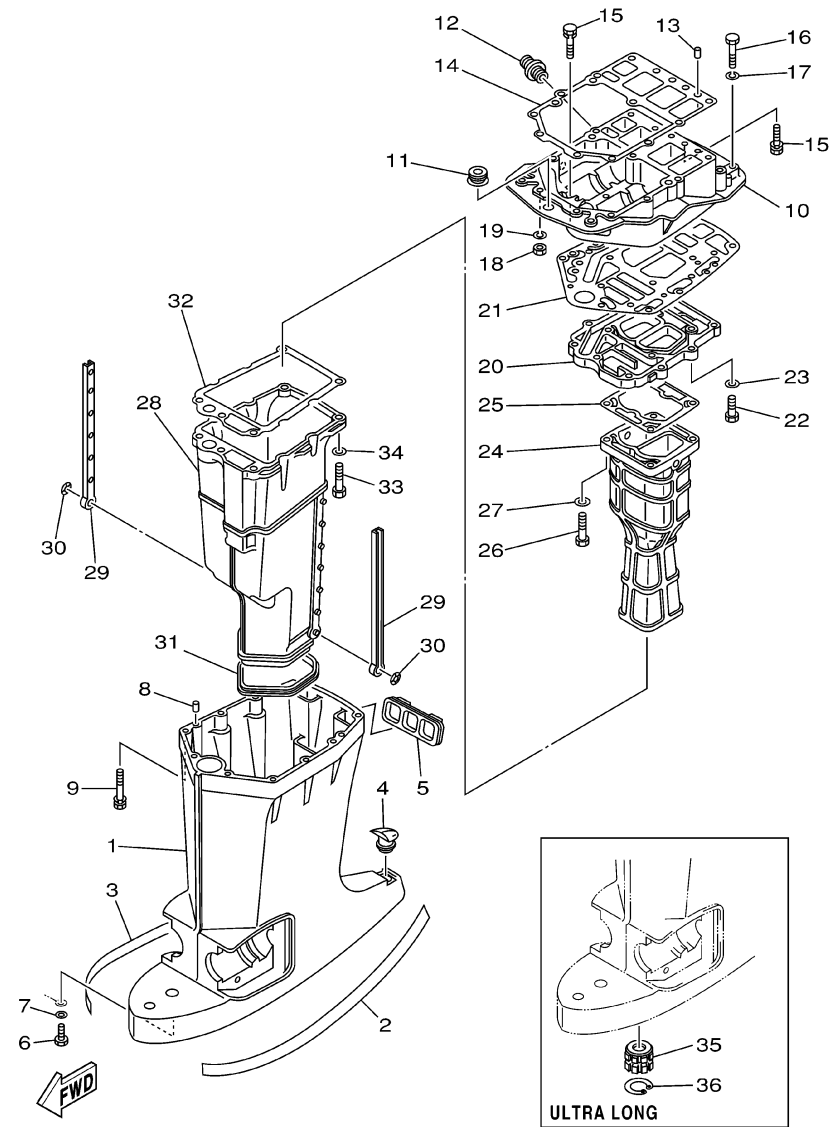
FUNDA SUPERIOR



REF. NO.	PART NO. CODIGO NO.	DESCRIPTION DESCRIPTION	Q	U			REMARKS OBSERVACION
1	6E5-45111-02-8D	CASING, UPPER CAJA SUPERIOR	1	1			L
	6E5-45111-23-8D	CASING, UPPER CAJA SUPERIOR		1			X
2	6R3-42791-41	MARK 1 MARCA 1	1	1			
3	6R3-42792-41	MARK 2 MARCA 2	1	1			
4	6E5-45155-00	CAP TAPA	1	1			
5	6E5-42769-00	SEAL, RUBBER SELLO DE GOMA	1	1			
6	97095-06010	BOLT PERNO	1	1			
7	92995-06600	WASHER ARANDELA	1	1			
8	93608-12M05	PIN, DOWEL PASADOR DE CLAVIJA	2	2			
9	90119-08027	BOLT, WITH WASHER TORNILLO CON ARANDELA	6	6			
10	6G5-41137-02-94	GUIDE, EXHAUST GUIA DE ESCAPE	1	1			
11	6E5-42724-00	GROMMET TAPON	1	1			
12	6G5-12581-00	JOINT, HOSE 1 CONEXION	1	1			
13	93608-12M05	PIN, DOWEL PASADOR DE CLAVIJA	2	2			
14	6G5-45113-A1	GASKET, UPPER CASING EMPAQUE	1	1			
15	90119-08M79	BOLT, WITH WASHER TORNILLO CON ARANDELA	6	6			
16	97095-08045	BOLT PERNO	2	2			
17	92995-08100	WASHER ARANDELA	2	2			
18	95380-08700	NUT TUERCA	2	2			
19	92995-08100	WASHER ARANDELA	2	2			
20	6G5-41131-01-5B	MANIFOLD, EXT. 1 TUBO MULTIPLE DE ESCAPE	1	1			
21	6G5-45114-A0	GASKET, UPPER CASING EMPAQUE	1	1			
22	97095-08030	BOLT PERNO	4	4			
23	92995-08600	WASHER ARANDELA	4	4			
24	6E5-41132-10-5B	MANIFOLD, EXHAUST TUBO MULTIPLE DE ESCAPE	1	1			115B
	6L1-41132-00-5B	MANIFOLD, EXHAUST TUBO MULTIPLE DE ESCAPE		1			140B
25	6E5-41134-A0	GASKET, EXHAUST MANIFOLD EMPAQUE	1	1			115B

FIG. 22 UPPER CASING

FUNDA SUPERIOR

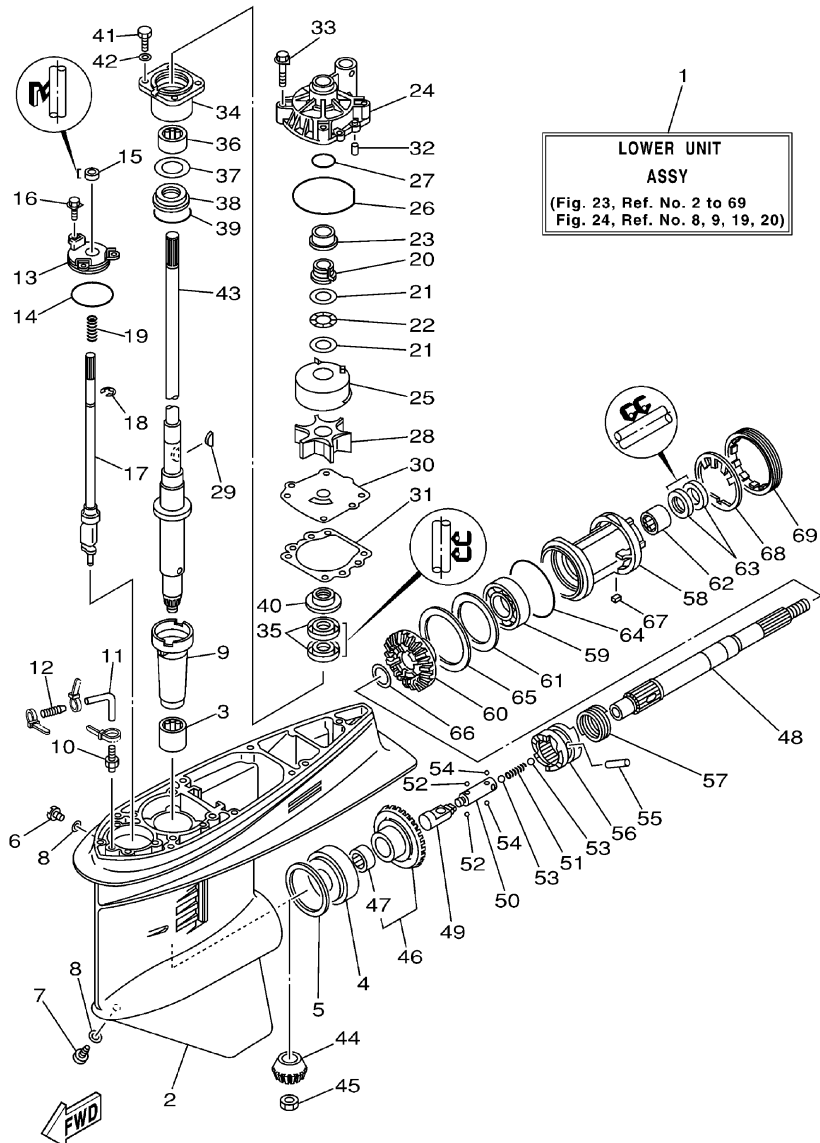


6N60100-0190

REF. NO.	PART NO. CODIGO NO.	DESCRIPTION DESCRIPTION	Q	U		REMARKS OBSERVACION
25	6G5-41134-A0	GASKET, EXHAUST MANIFOLD EMPAQUE		1		140B
26	97095-08045	BOLT PERNO	4	4		
27	92995-08600	WASHER ARANDELA	4	4		
28	6E5-14711-01-5B	MUFFLER 1 SILENCIADOR 1	1	1		
29	6E5-14737-00	DAMPER, MUFFLER AMORTIGUADOR DE SILENCIADOR	2	2		
30	90183-05M02	NUT, SPRING TUERCA DE RESORTE	2	2		
31	6E5-45123-00	GASKET, MUFFLER EMPAQUE SILENCIADOR	1	1		
32	6E5-41135-A0	GASKET, EXHAUST MANIFOLD EMPAQUE	1	1		
33	97095-08045	BOLT PERNO	5	5		
34	92995-08600	WASHER ARANDELA	5	5		
35	6E5-45318-00	BUSHING, DRIVE SHAFT BUJE, EJE DE MANDO		1		X
36	93420-36M01	CIRCLIP BOLA		1		X

FIG. 23 LOWER CASING, DRIVE 1

IMPULSOR E INFERIOR 1



6E50200-1230

REF. NO.	PART NO. CODIGO NO.	DESCRIPTION DESCRIPTION	Q	Q		REMARKS OBSERVACION
1	6E5-45300-16-8D	LOWER UNIT ASSY CONJUNTO UNIDAD INFERIOR	1	1		L
	6E5-45300-26-8D	LOWER UNIT ASSY CONJUNTO UNIDAD INFERIOR		1		X
2	6E5-45301-04-8D	CASING, LOWER FUNDA INFERIOR COMPLETA	1	1		
3	93315-628U9	BEARING COJINETE	1	1		
4	93332-000U7	BEARING COJINETE	1	1		
5	6E5-45567-01-10	SHIM (T:0.10MM) LAMINA (T:0.10MM)	1	1		UR
	6E5-45567-01-12	SHIM (T:0.12MM) LAINA (T:0.12MM)	1	1		UR
	6E5-45567-01-15	SHIM (T:0.15MM) LAINA (T:0.15MM)	1	1		UR
	6E5-45567-01-18	SHIM (T:0.18MM) LAINA (T:0.18MM)	1	1		UR
	6E5-45567-01-30	SHIM (T:0.30MM) LAINA (T:0.30MM)	1	1		UR
	6E5-45567-01-40	SHIM (T:0.40MM) LAINA (T:0.40MM)	1	1		UR
	6E5-45567-01-50	SHIM (T:0.50MM) LAINA (T:0.50MM)	1	1		UR
6	90340-08002	PLUG, STRAIGHT SCREW TORNILLO, DE DRENAJE	1	1		
7	688-45341-10	PLUG, DRAIN TAPON, DREN	1	1		
8	90430-08020	GASKET JUNTA	2	2		
9	6E5-45536-00	SLÉEVE, DRIVE SHAFT CAMISA EJE DE MANDO	1	1		
10	6E5-45378-00	NIPPLE, HOSE NIPLE MANGUERA	1	1		
11	90445-07ME8	HOSE (L80) TUBO (L80)	1	1		L
	90445-07ME9	HOSE (L120) TUBO (L120)		1		X
12	6E5-83558-10	END, NIPPLE EXTREMO DE NIPLE	1	1		
13	6E5-45321-00	PLATE PLACA	1	1		
14	93210-58144	O-RING ANILLO O	1	1		
15	93106-09014	OIL SEAL SELLO ACEITE	1	1		
16	90119-06M10	BOLT, WITH WASHER TORNILLO CON ARANDELA	3	3		
17	6E5-44150-02	SHIFT CAM ASSY CONJUNTO EJE LEVA COMPL.	1	1		
18	99001-08600	CIRCLIP PRESILLA REDONDA	1	1		
19	90501-11M10	SPRING, COMPRESSION RESORTE DE COMPRESION	1	1		

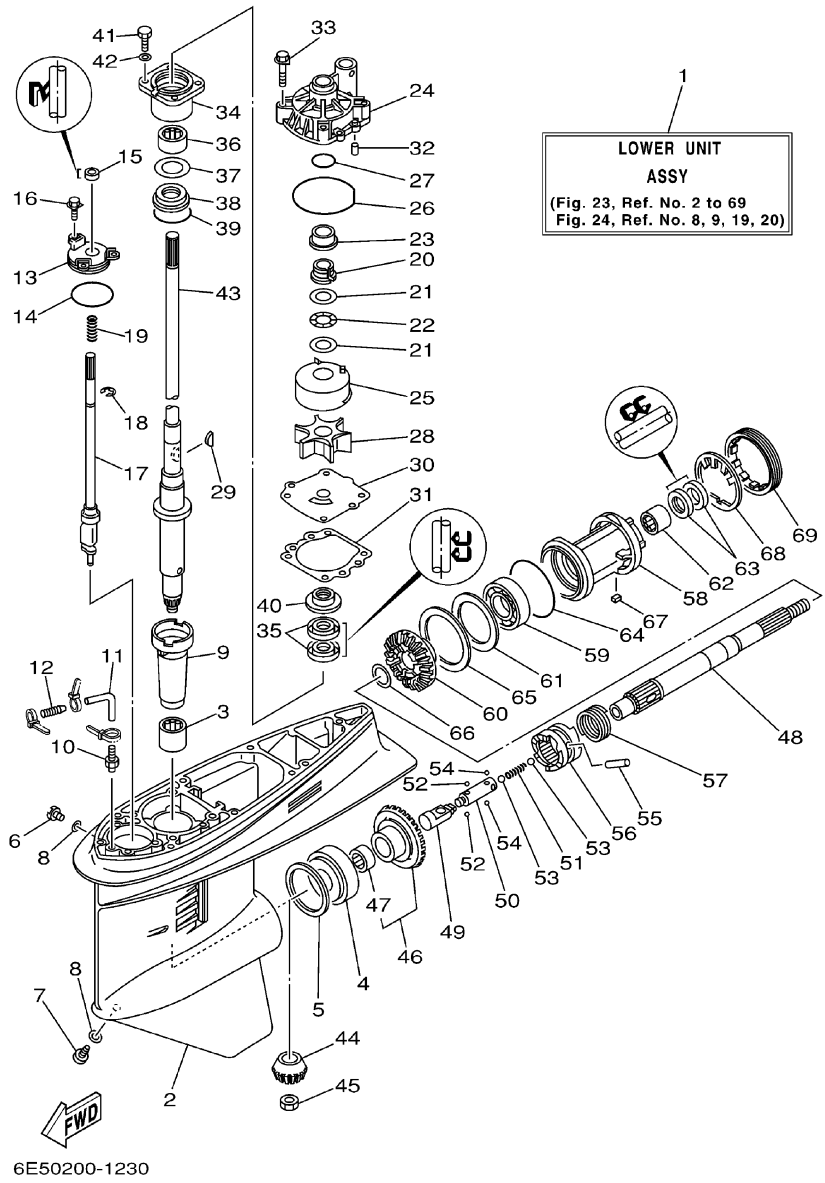
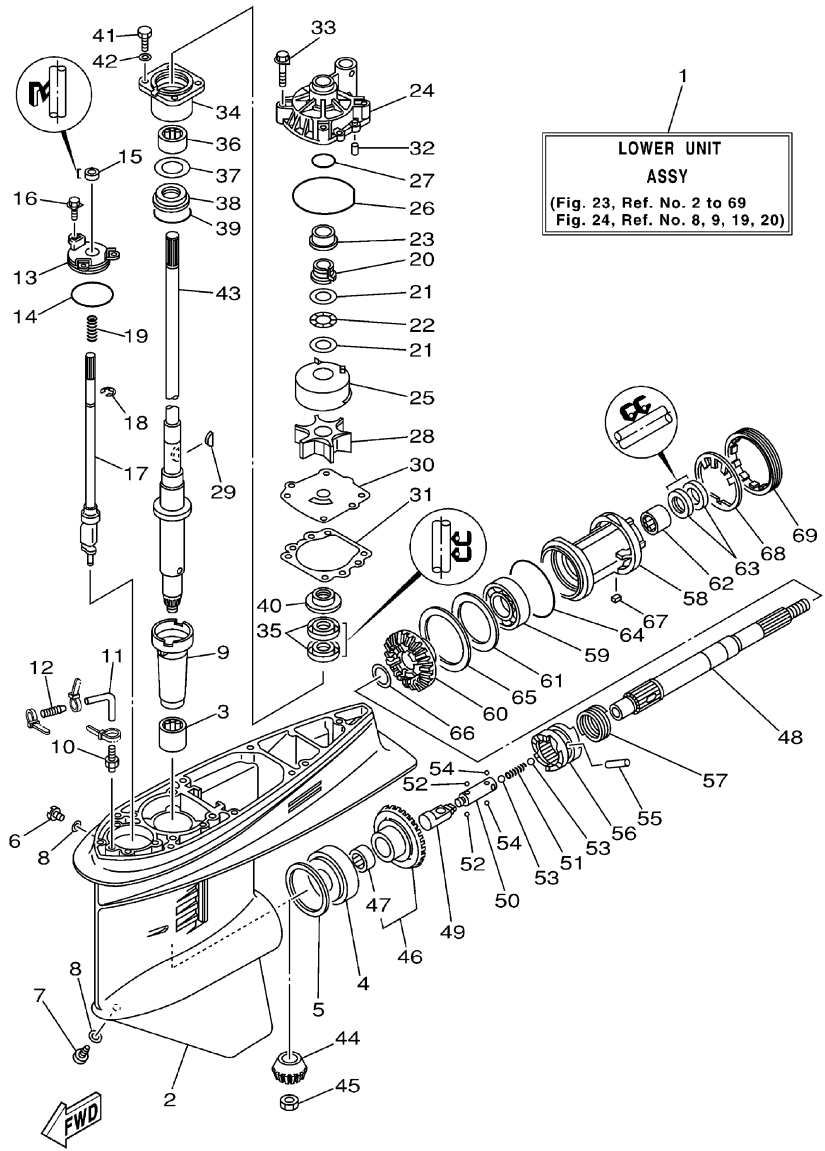


FIG. 23 LOWER CASING, DRIVE 1 IMPULSOR E INFERIOR 1

REF. NO.	PART NO. CODIGO NO.	DESCRIPTION DESCRIPTION	QTY	UNIT	REMARKS OBSERVACION
20	61A-45538-00	SPACER 1 ESPACIADOR 1	1	1	
21	90201-22M01	WASHER, PLATE ARANDELA PLANA	2	2	
22	90206-22M19	WASHER, WAVE ARANDELA ONDULADA	1	1	
23	61A-45527-00	COLLAR, DRIVE SHAFT COLLAR EJE FLECHA DE PROPULSION	1	1	
24	61A-44311-01	HOUSING, WATER PUMP CAJA BOMBA DE AGUA	1	1	
25	61A-44322-02	INSERT, CARTRIDGE CARTUCHO	1	1	FOR STD
	6R3-44322-42	INSERT, CARTRIDGE CARTUCHO	1	1	FOR CHROMATE
26	93210-86M38	O-RING ANILLO O	1	1	
27	93210-37160	O-RING ANILLO O	1	1	
28	6E5-44352-01	IMPELLER IMPULSOR	1	1	
29	90280-04M05	KEY, WOODRUFF CUNA WOODRUFF	1	1	
30	6E5-44323-00	OUTER PLATE, CARTRIDGE PLACA EXTERIOR DEL CARTUCHO	1	1	FOR STD
	6E5-44323-40	OUTER PLATE, CARTRIDGE PLACA EXTERIOR DEL CARTUCHO	1	1	FOR CHROMATE
31	6E5-44315-A0	GASKET, WATER PUMP EMPAQUE	1	1	
32	93606-12019	PIN, DOWEL PASADOR DE CLAVIJA	2	2	
33	90119-08M14	BOLT, WITH WASHER TORNILLO CON ARANDELA	4	4	
34	6E5-45331-00-94	HOUSING, BEARING CAJA DE COJINETE	1	1	
35	93101-28M16	OIL SEAL SELLO ACEITE	2	2	
36	93317-330U2	BEARING COJINETE	1	1	
37	6E5-45587-01-10	SHIM (T:0.10MM) LAINA (T:0.10MM)	1	1	UR
	6E5-45587-01-12	SHIM (T:0.12MM) LAINA (T:0.12MM)	1	1	UR
	6E5-45587-01-15	SHIM (T:0.15MM) LAINA (T:0.15MM)	1	1	UR
	6E5-45587-01-18	SHIM (T:0.18MM) LAINA (T:0.18MM)	1	1	UR
	6E5-45587-01-30	SHIM (T:0.30MM) LAINA (T:0.30MM)	1	1	UR
	6E5-45587-01-40	SHIM (T:0.40MM) LAINA (T:0.40MM)	1	1	UR
	6E5-45587-01-50	SHIM (T:0.50MM) LAINA (T:0.50MM)	1	1	UR
38	93341-930V2	BEARING COJINETE	1	1	



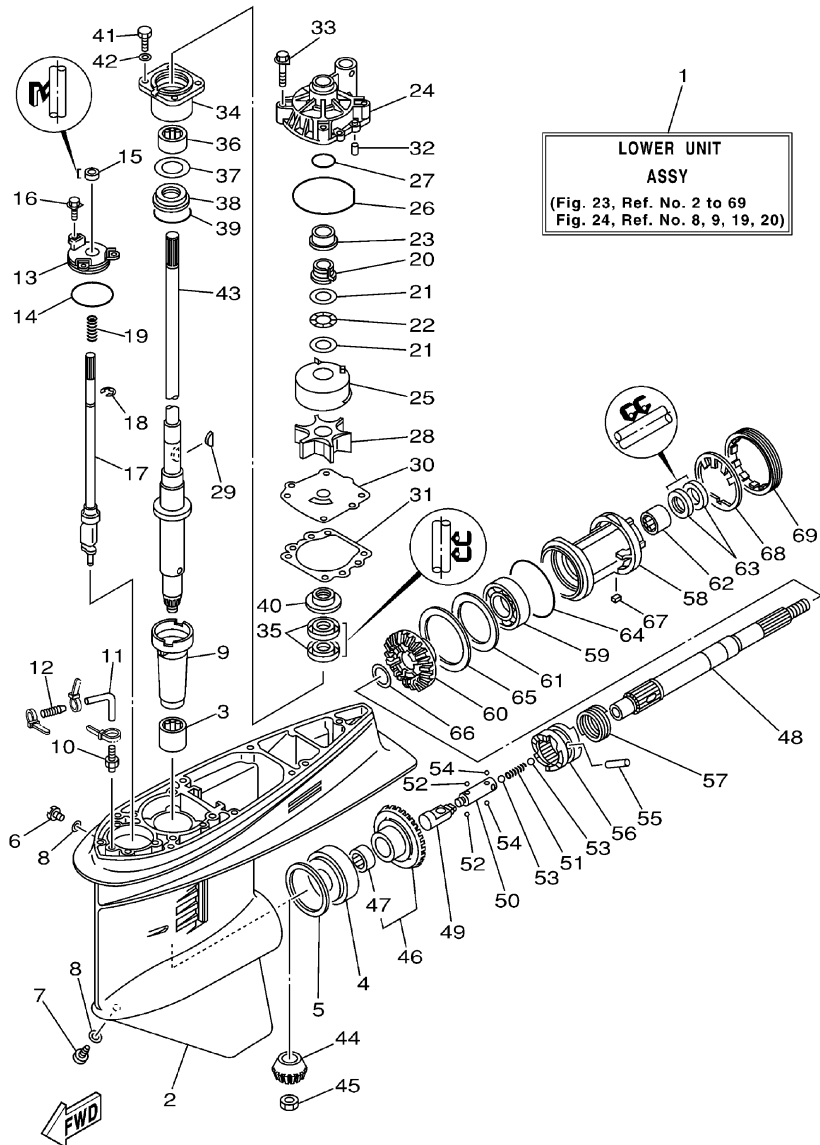
6E50200-1230

FIG. 23 LOWER CASING, DRIVE 1 IMPULSOR E INFERIOR 1

REF. NO.	PART NO. CODIGO NO.	DESCRIPTION DESCRIPTION	QTY	UNIT	REMARKS OBSERVACION
39	93210-55M14	O-RING ANILLO O	1	1	
40	6E5-45344-00	COVER, OIL SEAL CUBIERTA SELLO ACEITE	1	1	
41	97095-08025	BOLT PERNO	4	4	
42	92995-08600	WASHER ARANDELA	4	4	
43	6E5-45501-01	DRIVE SHAFT COMP. EJE DE MANDO COMPL.	1	1	L
	6E5-45501-21	DRIVE SHAFT COMP. EJE DE MANDO COMPL.		1	X
44	6E5-45551-02	PINION PINON	1	1	
45	90170-16M01	NUT TUERCA	1	1	
46	6E5-45560-01	GEAR ENGRANE COMPLE 1	1	1	
47	93315-425U7	BEARING COJINETE	1	1	
48	6E5-45611-01	SHAFT, PROPELLER EJE PROPUSOR	1	1	
49	6E5-45641-02	SHIFTER CAMBIO	1	1	
50	6E5-45634-01	SLIDE, SHIFT DESLIZADOR, CAMBIO	1	1	
51	90501-16M37	SPRING, COMPRESSION RESORTE DE COMPRESION	1	1	
52	93507-32009	BALL BOLA	2	2	
53	93511-32017	BALL BOLA	2	2	
54	93503-16003	BALL BOLA	2	2	
55	90250-08M07	PIN, STRAIGHT PASADOR CILINDRICO	1	1	
56	6E5-45631-01	CLUTCH, DOG EMBRAGUE DE GARRA	1	1	
57	6E5-45633-01	RING, CROSS PIN ANILLO DE PASADOR	1	1	
58	6E5-45332-00-94	HOUSING, BEARING CAJA BALERO 2	1	1	
59	93306-208U0	BEARING COJINETE	1	1	
60	6E5-45571-01	GEAR ENGRANAJE	1	1	
61	6E5-45576-00	WASHER, THRUST ARANDELA DE EMPUJE AXIAL	1	1	
62	93315-430U8	BEARING COJINETE	1	1	
63	93101-30M17	OIL SEAL SELLO ACEITE	2	2	
64	93210-86M39	O-RING ANILLO O	1	1	

FIG. 23 LOWER CASING, DRIVE 1

IMPULSOR E INFERIOR 1

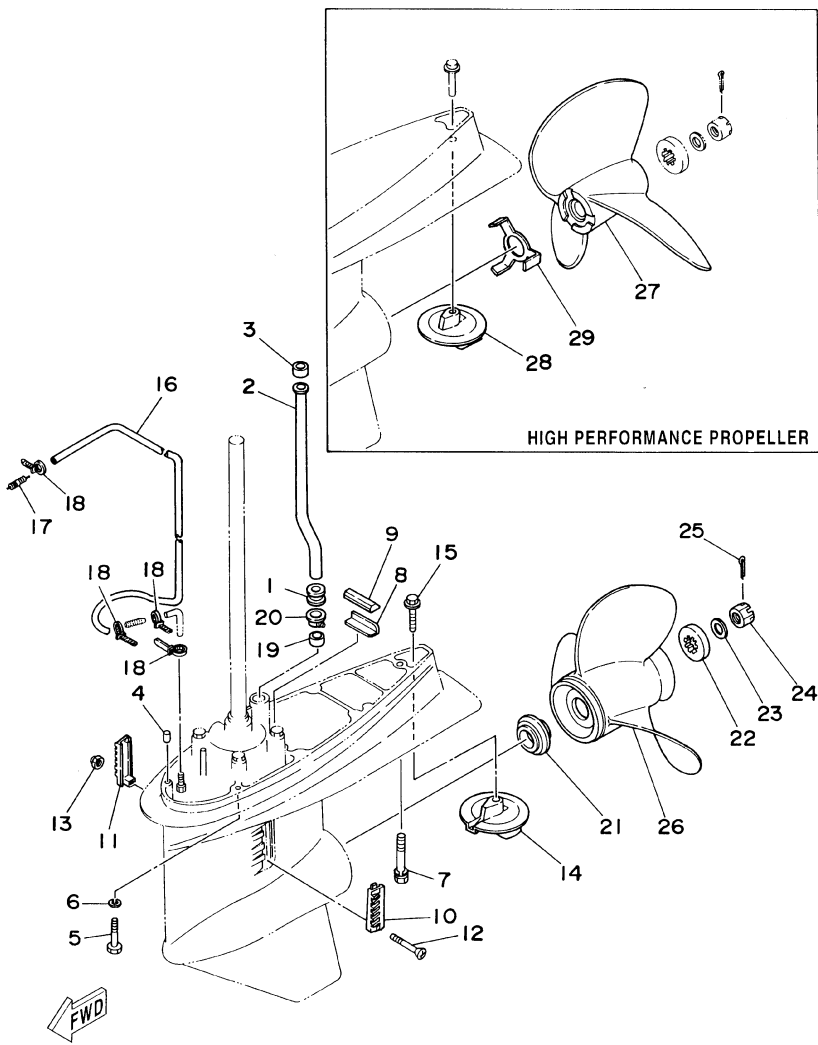


6E50200-1230

REF. NO.	PART NO. CODIGO NO.	DESCRIPTION DESCRIPTION	Q	Q		REMARKS OBSERVACION
65	6L6-45577-00-10	SHIM (T:0.10MM) LAINA (T:0.10MM)	1	1		UR
	6L6-45577-00-12	SHIM (T:0.12MM) LAINA (:0.12MM)	1	1		UR
	6L6-45577-00-15	SHIM (T:0.15MM) LAINA (T:0.15MM)	1	1		UR
	6L6-45577-00-18	SHIM (T:0.18MM) LAINA (T:0.18MM)	1	1		UR
	6L6-45577-00-30	SHIM (T:0.30MM) LAINA (T:0.30MM)	1	1		UR
	6L6-45577-00-40	SHIM (T:0.40MM) LAINA (T:0.40MM)	1	1		UR
	6L6-45577-00-50	SHIM (T:0.50MM) LAINA (T:0.50MM)	1	1		UR
66	90201-30M92	WASHER, PLATE ARANDELA PLANA	1	1		
67	90282-04010	KEY, STRAIGHT CHAVETA, RECTA	1	1		
68	688-45383-02	WASHER, CLAW ARANDELA DE UNA	1	1		
69	688-45384-00	NUT TUERCA	1	1		

FIG. 24 LOWER CASING, DRIVE 2

IMPULSOR E INFERIOR 2



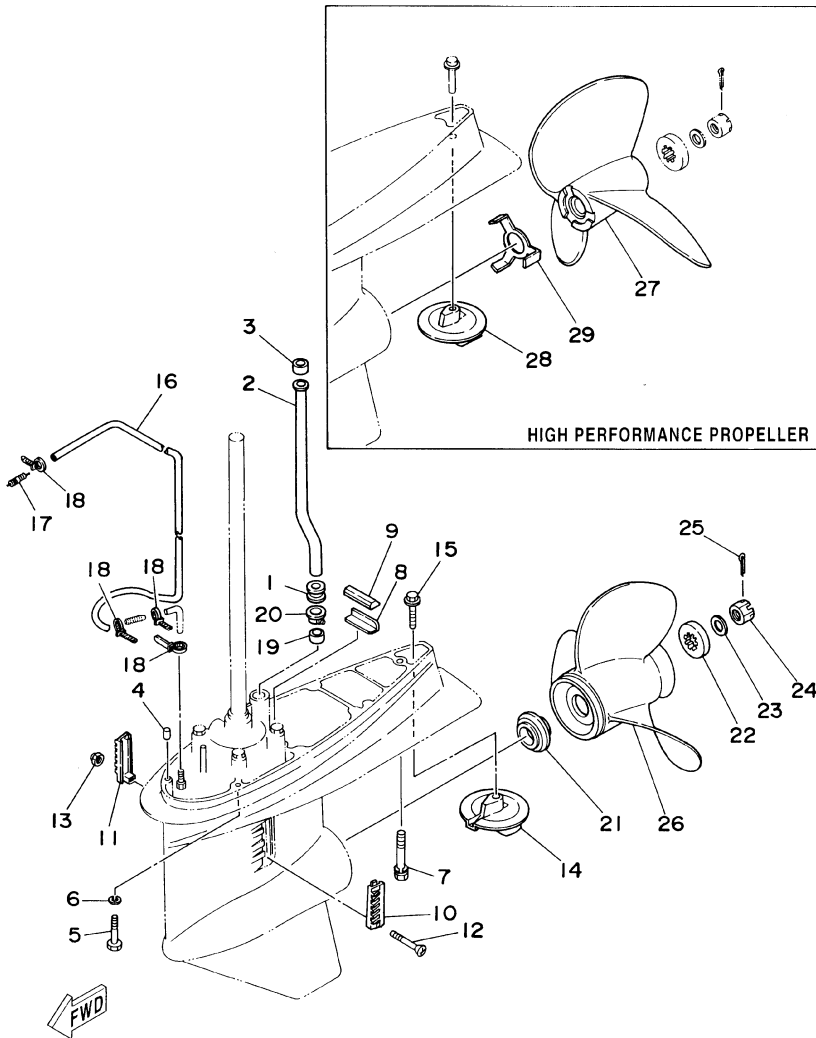
6N60010-4220

REF. NO.	PART NO. CODIGO NO.	DESCRIPTION DESCRIPTION	QTY	UNIT	REMARKS OBSERVACION
1	6E5-44366-00	DAMPER, WATER SEAL GOMA DEL SELLO DE AGUA	1	1	
2	6E5-44361-00	TUBE, WATER TUBO DE AGUA	1	1	L
	6E5-44361-20	TUBE, WATER TUBO DE AGUA	1	1	X
3	6E5-44365-00	DAMPER, WATER SEAL HULE DE SELLO DE AGUA	1	1	
4	93608-12M05	PIN, DOWEL PASADOR DE CLAVIJA	2	2	
5	97075-10045	BOLT PERNO	6	6	
6	92995-10100	WASHER ARANDELA	6	6	
7	90119-10M89	BOLT, WITH WASHER TORNILLO CON ARANDELA	1	1	
8	663-45376-00-94	GUIDE, SEAL DAMPER GUIA DE SELLO GOMA	1	1	
9	688-45375-00	DAMPER, SEAL GOMA DE SELLO	1	1	
10	688-45214-02	COVER, WATER INLET CUBIERTA ENTRADA AGUA	1	1	
11	688-45215-02	COVER, WATER INLET CUBIERTA ENTRADA AGUA	1	1	
12	90152-05M07	SCREW, COUNTERSUNK TORNILLO EMBUTIDO	1	1	
13	90185-05002	NUT, SELF-LOCKING TUERCA AUTOBLOCANTE	1	1	
14	6E5-45371-01	TAB-TRIM QUILLA ESTABILIZADOR	1	1	
15	90105-10M00	BOLT, FLANGE TORNILLO	1	1	
16	90445-07MF0	HOSE (L1030) TUBO (L1030)	1	1	
17	6E5-83558-00	END, NIPPLE EXTREMO DE NIPLE	1	1	
18	90465-11M10	CLAMP BRIDA	4	4	
19	6E5-44365-00	DAMPER, WATER SEAL HULE DE SELLO DE AGUA	1	1	
20	6E5-44312-00	COVER, WATER PUMP HOUSING CUBIERTA CAJA BOMBA DE AGUA	1	1	
21	6E5-45987-01	SPACER ESPACIADOR	1	1	
22	688-45997-01	SPACER ESPACIADOR	1	1	
23	92990-18200	WASHER ARANDELA	1	1	
24	90171-18M04	NUT, CASTLE TUERCA ENTALLADA	1	1	
25	91490-40030	PIN, COTTER PASADOR DE CHAVETA	1	1	
26	6E5-45941-00-EL	PROPELLER (3X13"X19"-K) PROPELA (3X13"X19"-K)	1	1	UR

B2

FIG. 24 LOWER CASING, DRIVE 2

IMPULSOR E INFERIOR 2

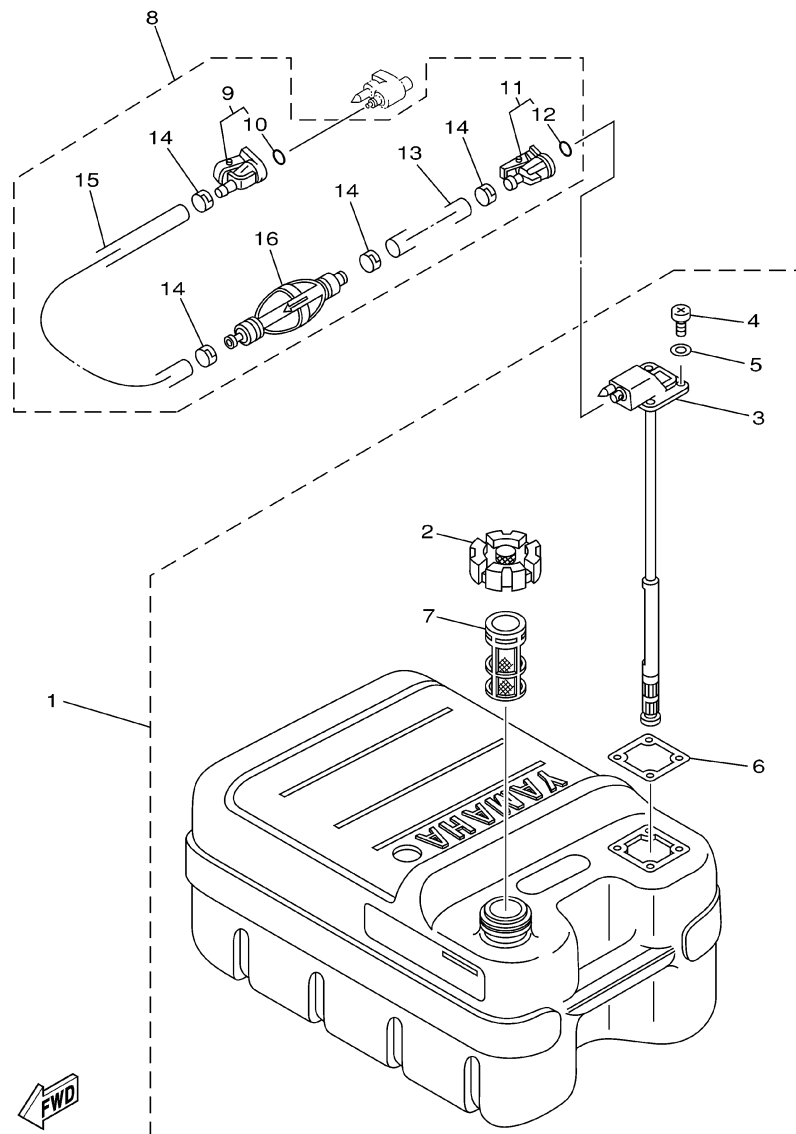


6N60010-4220

REF. NO.	PART NO. CODIGO NO.	DESCRIPTION DESCRIPTION	Q	Q		REMARKS OBSERVACION
26	6E5-45943-00-EL	PROPELLER (3X12-5/8"X21"-K) PROPELA (3X12-5/8"X21"-K)	1	1		UR
	6E5-45945-01-EL	PROPELLER (3X13-1/4"X17"-K) PROPELA (3X13-1/4"X17"-K)	1	1		UR
	6E5-45947-00-EL	PROPELLER (3X13-1/2"X15"-K) PROPELA (3X13-1/2"X15"-K)	1	1		UR
	6E5-45949-00-EL	PROPELLER (3X13-5/8"X13"-K) PROPELA (3X13-5/8"X13"-K)	1	1		UR
	6E5-45952-00-EL	PROPELLER (3X13"X23"-K) PROPELA (3X13"X23"-K)	1	1		UR
	6E5-45954-00-EL	PROPELLER (3X14"X11"-K) PROPELA (3X14"X11"-K)	1	1		UR
	6E5-45956-00-EL	PROPELLER (3X13"X25"-K) PROPELA (3X13"X25"-K)	1	1		UR
		STAINLESS STEEL PROPELLER LIMPIO-ACERO DEL PROPELA				
	688-45930-02-98	PROPELLER (3X13"X17"-K) PROPELA (3X13"X17"-K)	1	1		UR
	688-45932-60-98	PROPELLER (3X13-1/2"X14"-K) PROPELA (3X13-1/2"X14"-K)	1	1		UR
	688-45970-03-98	PROPELLER (3X13"X19"-K) PROPELA (3X13"X19"-K)	1	1		UR
	688-45972-02-98	PROPELLER (3X13"X21"-K) PROPELA (3X13"X21"-K)	1	1		UR
	688-45974-02-98	PROPELLER (3X13"X23"-K) PROPELA (3X13"X23"-K)	1	1		UR
	688-45976-01-98	PROPELLER (3X13"X25"-K) PROPELA (3X13"X25"-K)	1	1		UR
	688-45978-60-98	PROPELLER (3X13-1/2"X16"-K) PROPELA (3X13-1/2"X16"-K)	1	1		UR
		HIGH PERFORMANCE PROPELLER ALTO COMPOSICION DEL PROPELA				
27	6E5-45970-10	PROPELLER (3X14"X20"-P) PROPELA (3X14"X20"-P)	1	1		UR
	6E5-45972-10	PROPELLER (3X14"X24"-P) PROPELA (3X14"X24"-P)	1	1		UR
	6E5-45974-10	PROPELLER (3X14"X28"-P) PROPELA (3X14"X28"-P)	1	1		UR
	6E5-45976-10	PROPELLER (3X14"X22"-P) PROPELA (3X14"X22"-P)	1	1		UR
	6E5-45978-10	PROPELLER (3X14"X26"-P) PROPELA (3X14"X26"-P)	1	1		UR
28	6E5-45371-10	TAB-TRIM QUILLA ESTABILIZADOR	1	1		
29	6E5-45994-10	PLATE, TOOTH PLACA	1	1		

FIG. 25 FUEL TANK

DEPOSITO DE COMBUSTIBLE

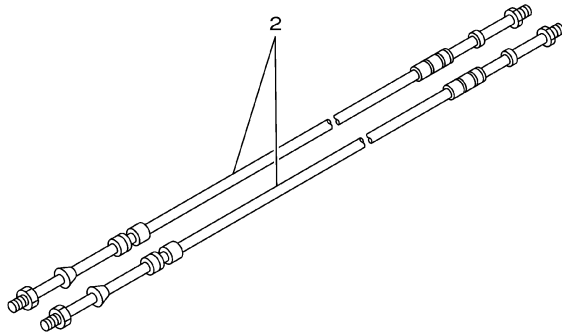
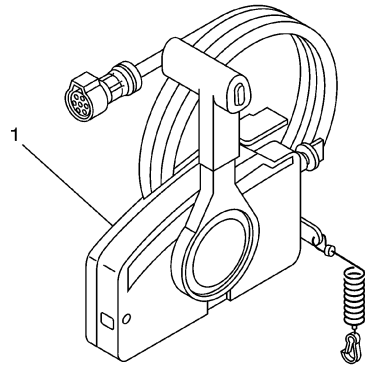


6E50700-0210

REF. NO.	PART NO. CODIGO NO.	DESCRIPTION DESCRIPTION	Q	Q		REMARKS OBSERVACION
1	6YJ-24201-00	FUEL TANK ASSY (24L) TANQUE DEL COMBUSTIBLE (24L)	1	1		AP
	6YJ-24201-10	FUEL TANK ASSY (24L) TANQUE DEL COMBUSTIBLE (24L)		1		AP FOR CHINA WITH INDICATOR
2	6YJ-24610-01	.CAP ASSY .TAPA COMPLETA	1	1		
3	6YJ-24260-00	.FUEL METER ASSY .MEDIDOR DE COMBUSTIBLE COMPL.	1	1		
	6Y1-24260-12	.FUEL METER ASSY .MEDIDOR DE COMBUSTIBLE COMPL.		1		FOR CHINA WITH INDICATOR
4	98586-05016	.SCREW, PAN HEAD .TORNILLO DE CABEZA CON PLANA	4	4		
5	6Y1-24329-00	.SEAL .SELLO	4	4		
6	6Y1-24268-00	.GASKET, FUEL METER .EMPAQ MEDIDOR DE COMBUSTIBLE	1	1		
7	6YJ-24167-00	.STRAINER .COLADOR	1	1		
8	6Y2-24306-07	FUEL PIPE COMP. 1 TUBO COMBUST. COMPL 1	1	1		AP
9	6E5-24305-04	.FUEL PIPE JOINT COMP. 2 .CONECTOR MANGUERA COMBUST.2	1	1		
10	93210-08287	.O-RING .ANILLO O	1	1		
11	6Y2-24305-04	.FUEL PIPE JOINT COMP. 2 .CONECTOR MANGUERA COMBUST.2	1	1		
12	93210-08287	.O-RING .ANILLO O	1	1		
13	90445-13M01	.HOSE (L:2050) .MANGUERA (L:2050)	1	1		
14	6E5-24351-50	.BAND 1 .ABRAZADERA 1	4	4		
15	90445-13M00	.HOSE (L:850) .MANGUERA (L:850)	1	1		
16	6Y2-24360-02	.PRIMER PUMP ASSY .SOPORTE BOMBA	1	1		

FIG. 27 REMOTE CONTROL BOX

CONTROL REMOTO COMPL.



REF. NO.	PART NO. CODIGO NO.	DESCRIPTION DESCRIPTION	Q	Q		REMARKS OBSERVACION
1	703-48205-17	REMOTE CONTROL ASSY REMOTO CONTROL COMPL.		1		AP WITH PT/T SW.
	703-48201-16	REMOTE CONTROL ASSY REMOTO CONTROL COMPL.		1		AP
2	701-48320-40	CABLE, REMOTE CONTROL L=19F CABLE CONTROL REMOTO L=19F		2	2	UR
	701-48320-50	CABLE, REMOTE CONTROL L=15F CABLE CONTROL REMOTO L=15F		2	2	UR
	701-48320-80	CABLE, REMOTE CONTROL L=17F CABLE CONTROL REMOTO L=17F		2	2	UR



67M0100-8280

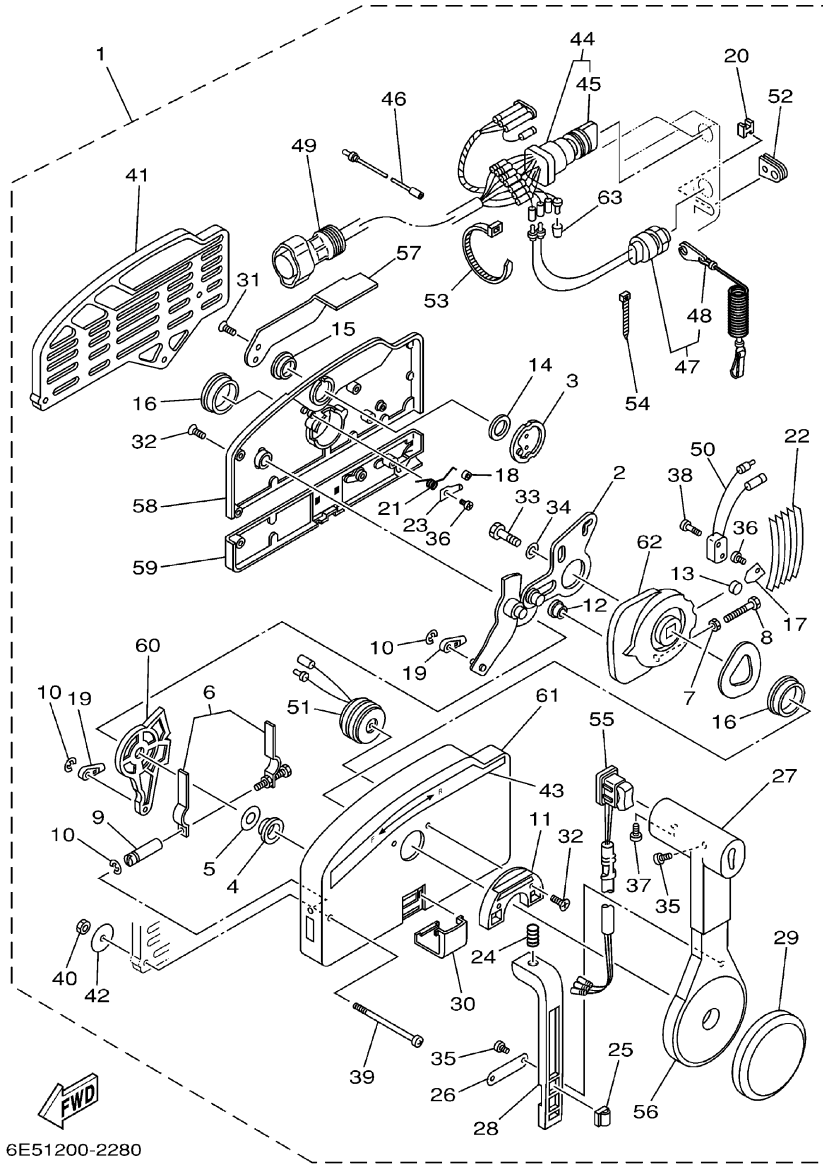
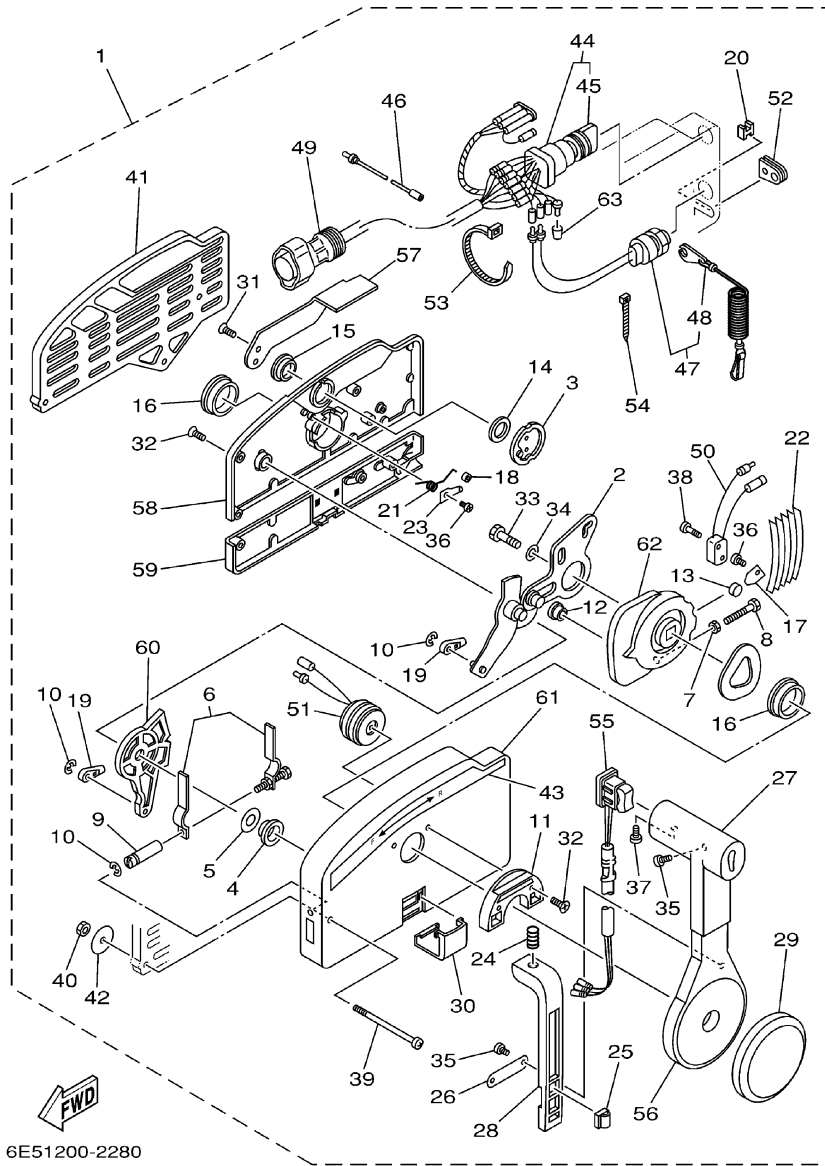


FIG. 28 REMOTE CONTROL ASSY CONTROL REMOTO COMPL.

REF. NO.	PART NO. CODIGO NO.	DESCRIPTION DESCRIPTION	QTY	UNIT	REMARKS OBSERVACION
1	703-48205-17	REMOTE CONTROL ASSY		1	AP WITH PT/T SW.
	703-48201-16	REMOTE CONTROL ASSY	1		AP
2	703-48261-01	.ARM, THROTTLE	1	1	
3	703-48153-00	.BRAZO ACELERADOR	1	1	
4	703-48235-00	.SHAFT, FREE ACCEL.	1	1	
		.EJE			
5	703-48235-00	.BUSHING	1	1	
		.BUJE			
6	703-48268-00	.SPACER	1	1	
		.ESPACIADOR 3			
7	703-48264-00	.THROTTLE, FRICTION	1	1	
		.FRICCION ACELERADOR			
8	95380-05600	.NUT	1	1	
		.TUERCA			
9	97380-05025	.BOLT	1	1	
		.PERNO			
10	703-48265-00	.SHAFT, FRICTION	1	1	
		.EJE FRICCION			
11	93430-06024	.CIRCLIP	3	3	
		.BOLA			
12	703-48245-00	.PLATE, LOCK	1	1	
		.PLACA CERRADURA			
13	703-48252-00	.ROLLER, CAM	1	1	
		.RODILLO LEVA			
14	701-48248-00	.ROLLER, FREE ACCEL.	1	1	
		.RODILLO ACELERADOR LIBRE			
15	703-48198-00	.WASHER, WAVE	1	1	
		.RONDANA ONDULADA 3			
16	703-48243-00	.BUSHING	1	1	
		.BUJE 3			
17	703-48236-00	.BUSHING 1	2	2	
		.BUJE			
18	703-48189-00	.RETAINER	1	1	
		.RETENEDOR			
19	703-48234-00	.ROLLER, DETENT	1	1	
		.RODILLO			
20	703-48345-01	.CABLE END, REMOTE CONTROL 2	2	2	
		.TERMINAL CABLE DE CONTROL REM			
21	703-48358-00	.ANCHOR, CABLE	1	1	
		.ABRAZADERA CABLE			
22	703-48244-00	.SPRING, FREE ACCEL.	1	1	
		.RESORTE ACELERADOR LIBRE			
23	703-48238-00	.SPRING, DETENT	5	5	
		.RESORTE			
24	703-48246-00	.SPACER	1	1	
		.ESPACIADOR			
25	703-48227-00	.SPRING, NEUTRAL LOCK	1	1	
		.RESORTE DE SEGURO			
26	703-82594-00	.CLAMP	1		WITH PT/T SW.
		.GRAMPA			
27	703-48226-00	.PLATE, STOPPER	1	1	
		.PLACA RETEN			

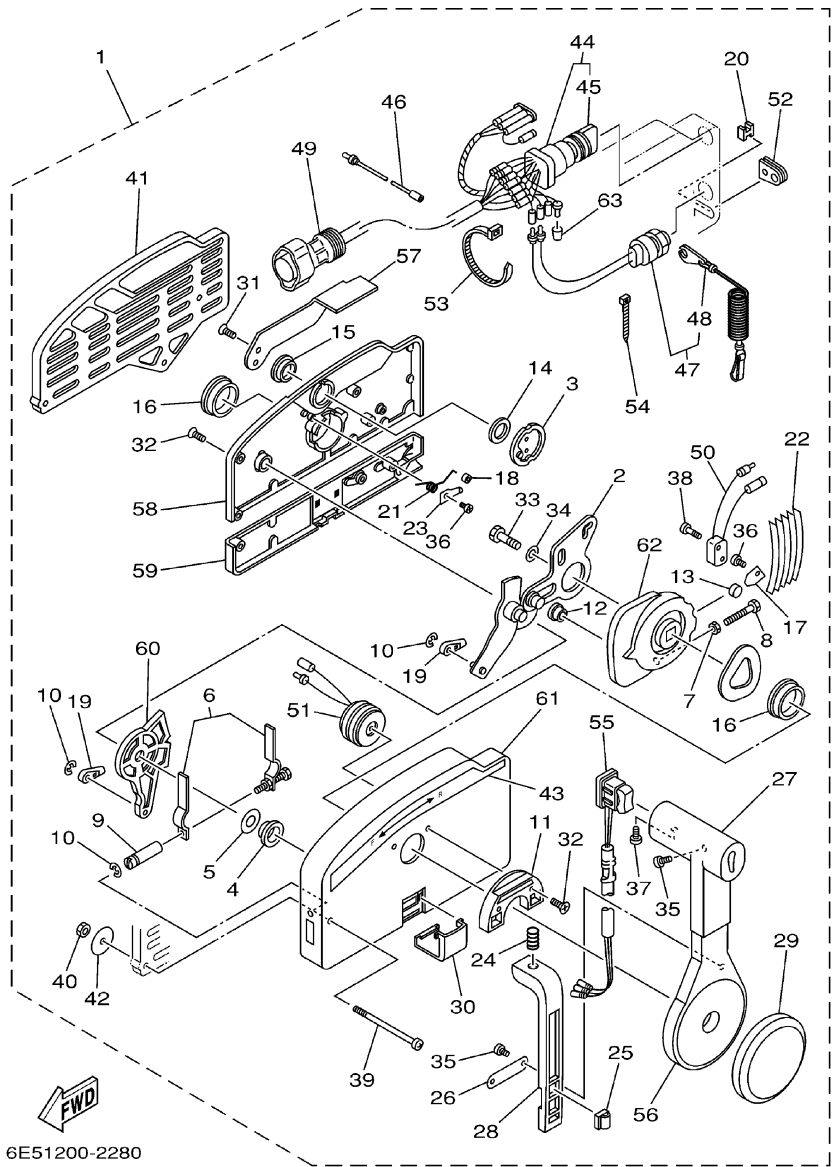


6E51200-2280

FIG. 28 REMOTE CONTROL ASSY CONTROL REMOTO COMPL.

REF. NO.	PART NO. CODIGO NO.	DESCRIPTION DESCRIPTION	Q	U	REMARKS OBSERVACION
27	703-48222-00	.GRIP, CONTROL LEVER .MANGO DE PALANCA CONTROL	1	1	SINGLE
28	703-48223-00	.LOCK, NEUTRAL .CERRADURA NEUTRO	1	1	
29	703-48225-00	.COVER .CUBIERTA	1	1	
30	703-48219-00	.COVER, LEAD .CUBIERTA	1	1	
31	703-48281-00	.SCREW .TORNILLO 1	2	2	
32	703-48282-00	.SCREW .TORNILLO 2	7	7	
33	97380-08030	.BOLT .PERNO	1	1	
34	92990-08600	.WASHER, PLATE .ARANDELA	1	1	
35	98580-04010	.SCREW, PAN HEAD .TORNILLO DE CABEZA CON PLANA	3	3	
36	98580-04006	.SCREW, PAN HEAD .TORNILLO DE CABEZA CON PLANA	2	2	
37	98580-05010	.SCREW, PAN HEAD .TORNILLO DE CABEZA CON PLANA	1	1	
38	98580-03015	.SCREW, PAN HEAD .TORNILLO DE CABEZA CON PLANA	2	2	
39	703-48291-10	.SCREW (M6) .TORNILLO (M6)	3	3	
40	95380-06600	.NUT, HEXAGON .TUERCA	3	3	
41	703-48293-10	.SPACER, REMOTE CONTROL .ESPACIADOR	1	1	SINGLE
42	701-48287-00	.WASHER .ARANDELA	3	3	
43	703-48215-00	.GRAPHIC .CALCOMANIA 1	1	1	
44	703-82510-43	.MAIN SWITCH ASSY .CONJUNTO DE LLAVE IGNICION	1	1	
45	703-82577-00	.CAP, KEY .TAPA	1	1	
46	703-82531-00	.WIRE, LEAD .CABLE CONDUCTOR	1	1	
47	688-82575-01	.ENGINE STOP SWITCH ASSY .INTERRUPTOR DE PARADA COMPL	1	1	
48	682-82556-00	.STOPPER .RETENER	1	1	
49	688-8258A-20	.EXTENSION, WIRE HARNESS .EXTENSION, ARNES DE CABLES	1	1	L:5M (10P)
50	703-82540-00	.NEUTRAL SWITCH ASSY .INTERRUPTOR NEUTRAL COMPL	1	1	
51	703-83383-02	.BUZZER .ZUMBADOR	1	1	
52	703-48284-00	.GRÖMMET .TAPON 1	1	1	
53	703-82591-00	.BAND .BANDA	1	1	

FIG. 28 REMOTE CONTROL ASSY CONTROL REMOTO COMPL.



6E51200-2280

REF. NO.	PART NO. CODIGO NO.	DESCRIPTION DESCRIPTION	QTY	UNIT	REMARKS OBSERVACION
54	703-82592-00	.BAND .BANDA	1	1	
55	703-82563-02	.TRIM & TILT SWITCH ASSY .INTERRUPTOR DE INCLINACION		1	WITH PT/T SW.
	703-48224-00	.COVER, CONTROL LEVER .CUBIERTA DE PALANCA CONTROL		1	WITHOUT PT/T SW.
56	703-48221-00	.LEVER, CONTROL .PALANCA CONTROL	1	1	
57	703-48152-00	.KNOB, FREE ACCEL. .PERILLA	1	1	
58	703-48212-00	.BACK PLATE 1 .PLACA TRASERA 1	1	1	
59	703-48213-00	.BACK PLATE 2 .PLACA TRASERA 2	1	1	
60	703-48271-00	.ARM, SHIFT .BRAZO CAMBIADOR	1	1	
61	703-48211-01	.HOUSING,1 .CAJA	1	1	
62	703-48232-00	.GEAR .ENGRANAJE 1	1	1	
63	703-82542-00	.CAP .TAPA	2		FOR 703-48201-16

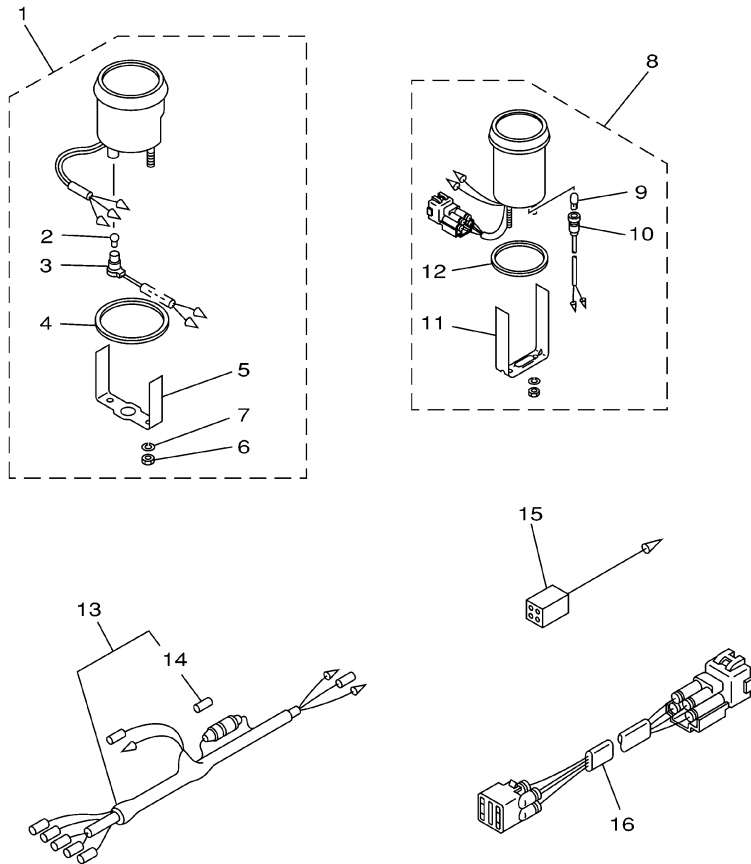


FIG. 29 METER

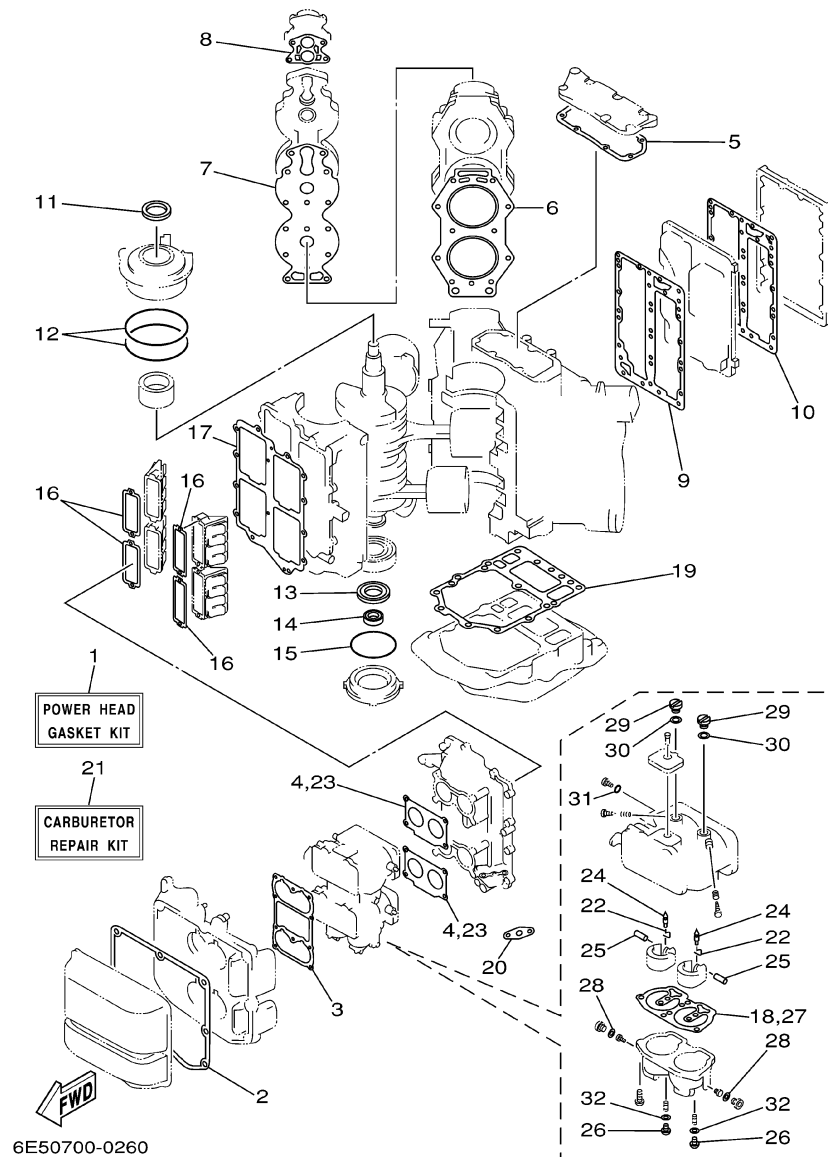
MEDIDOR

REF. NO.	PART NO. CODIGO NO.	DESCRIPTION DESCRIPTION	U	U			REMARKS OBSERVACION
1	6Y5-83540-14	TACHOMETER ASSY TACOMETRO COMPLETO	1	1			AP WITHOUT OIL LAMP
2	6Y5-83517-00	.BULB (12V-1.7W, T10) .BOMBILLA (12V-1.7W, T10)	1	1			
3	6Y5-83536-10	.SOCKET, METER .ENCASTRE DE MEDIDOR	1	1			
4	6Y5-83523-00	.DAMPER .AMORTIGUADOR	1	1			
5	6Y5-83514-00	.PLATE, FITTING .PLACA ACCESORIA	1	1			
6	95380-05600	.NUT .TUERCA	2	2			
7	92990-05100	.WASHER, SPRING .ARANDELA	2	2			
8	6Y5-83670-12	TRIM METER ASSY. MEDIDOR DE INCLINACION		1			AP
9	6Y5-83518-00	.BULB (12V-1.7W, T6.5) .BOMBILLA (12V-1.7W, T6.5)		1			
10	6Y5-83536-00	.SOCKET, METER .ENCASTRE DE MEDIDOR		1			
11	6Y5-83544-00	.PLATE, FITTING .PLACA ACCESORIA		1			
12	688-83664-00	.DAMPER .AMORTIGUADOR		1			
13	6Y5-83553-00	WIRE, LEAD CABLE CONDUCTOR	1	1			AP
14	1E6-82151-00	.FUSE (10A) .FUSIBLE	1	1			
15	6Y5-82117-00	WIRE, LEAD (BLACK) CABLE CONDUCTOR (NEGRO)		1			AP
16	6R3-82553-70	EXTENSION, WIRE LEAD CABLE		1			AP

6E50200-0280

FIG. 30 REPAIR KIT 1

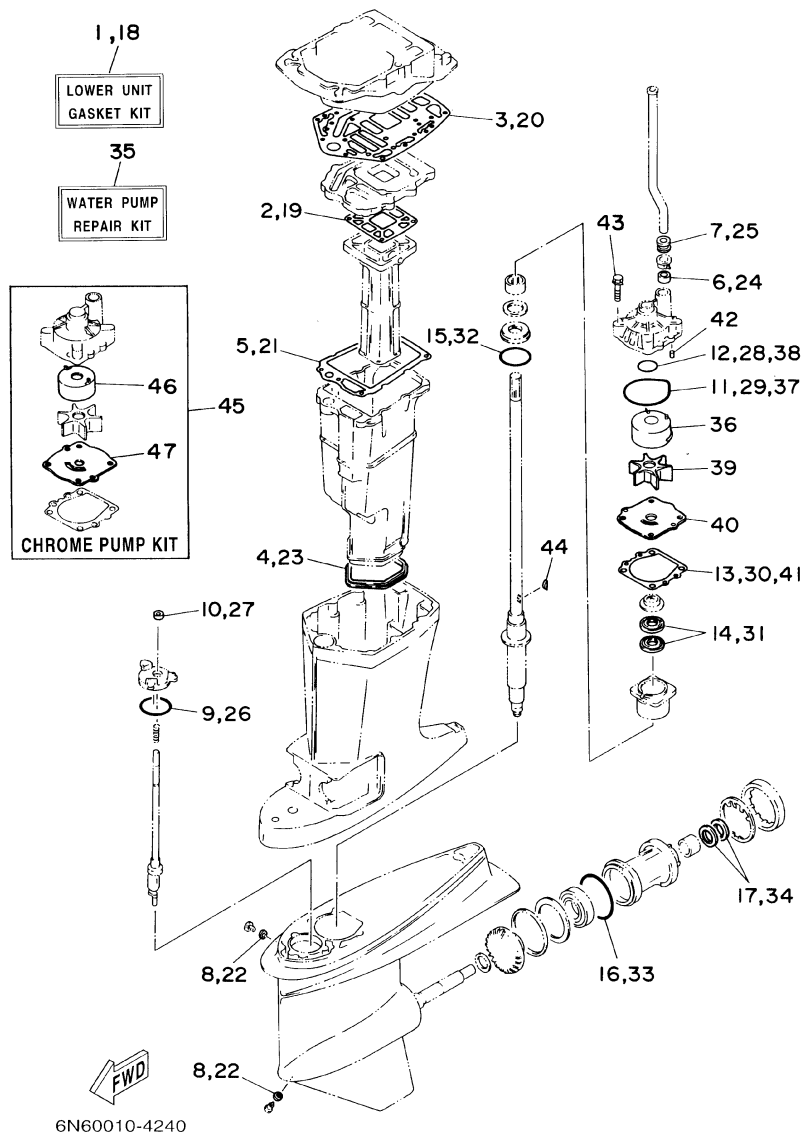
ESTUCHE REPARATION 1



REF. NO.	PART NO. CODIGO NO.	DESCRIPTION DESCRIPTION	Q	U		REMARKS OBSERVACION
1	6F3-W0001-A5	POWER HEAD GASKET KIT JUEGO DE EMPAQUE	1	1		
2	6E5-14416-A1	.GASKET, AIR CLEANER .EMPAQUE	1	1		
3	6E5-14483-A1	.GASKET .EMPAQUE	1	1		
4	6E5-14198-A2	.GASKET .EMPAQUE	2	2		
5	6E5-11381-A2	.GASKET 1 .EMPAQUE 1	1	1		
6	6E5-11181-A1	.GASKET, CYLINDER HEAD 1 .JUNTA, DE CULATA 1	2	2		
7	6E5-11193-A0	.GASKET, HEAD COVER 1 .EMPAQUE	2	2		
8	688-12414-A1	.GASKET, COVER .EMPAQUE	2	2		
9	6E5-41112-A1	.GASKET, EXHAUST INNER COVER .EMPAQUE	1	1		
10	6E5-41112-A1	.GASKET, EXHAUST INNER COVER .EMPAQUE	1	1		
11	93102-40M14	.OIL SEAL .SELLO ACEITE	1	1		
12	93211-04001	.O-RING .ANILLO O	2	2		
13	93102-35M13	.OIL SEAL .SELLO ACEITE	1	1		
14	93101-22M15	.OIL SEAL .SELLO ACEITE	1	1		
15	93210-74M35	.O-RING .ANILLO O	1	1		
16	6E5-13621-A1	.GASKET, VALVE SEAT .JUNTA, DE VALV.DE EMPAQUE	4	4		
17	6E5-13645-A1	.GASKET, MANIFOLD 1 .EMPAQUE	1	1		
18	64D-14384-01	.GASKET, FLOAT CHAMBER .EMPAQUE DE CAMARA DE BOIA	2	2		
19	6G5-45113-A1	.GASKET, UPPER CASING .EMPAQUE	1	1		
20	650-24431-A0	.GASKET, FUEL PUMP 1 .EMPAQUE BOMBA COMBUST 1	1	1		
21	6E5-W0093-09	CARBURETOR REPAIR KIT KIT REPARACION CARBURADOR	1	1		
22	6E5-14159-00	.CLIP .PRESILLA	2	2		
23	6E5-14198-A2	.GASKET .EMPAQUE	1	1		
24	6E5-14546-00	.VALVE, NEEDLE .VALVULA DE AGUJA	2	2		
25	6E5-14386-02	.PIN, FLOAT .PASADOR DE BOIA	2	2		
26	64D-14394-00	.VALVE, DRAIN .VALVULA DE DRENAJE	2	2		
27	64D-14384-01	.GASKET, FLOAT CHAMBER .EMPAQUE DE CAMARA DE BOIA	1	1		

FIG. 31 REPAIR KIT 2

ESTUCHE REPARATION 2



REF. NO.	PART NO. CODIGO NO.	DESCRIPTION DESCRIPTION	Q	U		REMARKS OBSERVACION
1	6E5-W0001-F1	LOWER UNIT GASKET KIT JUEGO DE EMPAQUE UNIDAD INFER	1	1		115B
2	6E5-41134-A0	.GASKET, EXHAUST MANIFOLD .EMPAQUE	1	1		
3	6G5-45114-A0	.GASKET, UPPER CASING .EMPAQUE	1	1		
4	6E5-45123-00	.GASKET, MUFFLER .EMPAQUE SILENCIADOR	1	1		
5	6E5-41135-A0	.GASKET, EXHAUST MANIFOLD .EMPAQUE	1	1		
6	6E5-44365-00	.DAMPER, WATER SEAL .HULE DE SELLO DE AGUA	1	1		
7	6E5-44366-00	.DAMPER, WATER SEAL .GOMA DEL SELLO DE AGUA	1	1		
8	90430-08020	.GASKET .JUNTA	2	2		
9	93210-58144	.O-RING .ANILLO O	1	1		
10	93106-09014	.OIL SEAL .SELLO ACEITE	1	1		
11	93210-86M38	.O-RING .ANILLO O	1	1		
12	93210-37160	.O-RING .ANILLO O	1	1		
13	6E5-44315-A0	.GASKET, WATER PUMP .EMPAQUE	1	1		
14	93101-28M16	.OIL SEAL .SELLO ACEITE	2	2		
15	93210-55M14	.O-RING .ANILLO O	1	1		
16	93210-86M39	.O-RING .ANILLO O	1	1		
17	93101-30M17	.OIL SEAL .SELLO ACEITE	2	2		
18	6F3-W0001-21	LOWER UNIT GASKET KIT JUEGO DE EMPAQUE	1	1		140B
19	6G5-41134-A0	.GASKET, EXHAUST MANIFOLD .EMPAQUE	1	1		
20	6G5-45114-A0	.GASKET, UPPER CASING .EMPAQUE	1	1		
21	6E5-41135-A0	.GASKET, EXHAUST MANIFOLD .EMPAQUE	1	1		
22	90430-08020	.GASKET .JUNTA	2	2		
23	6E5-45123-00	.GASKET, MUFFLER .EMPAQUE SILENCIADOR	1	1		
24	6E5-44365-00	.DAMPER, WATER SEAL .HULE DE SELLO DE AGUA	1	1		
25	6E5-44366-00	.DAMPER, WATER SEAL .GOMA DEL SELLO DE AGUA	1	1		
26	93210-58144	.O-RING .ANILLO O	1	1		
27	93106-09014	.OIL SEAL .SELLO ACEITE	1	1		

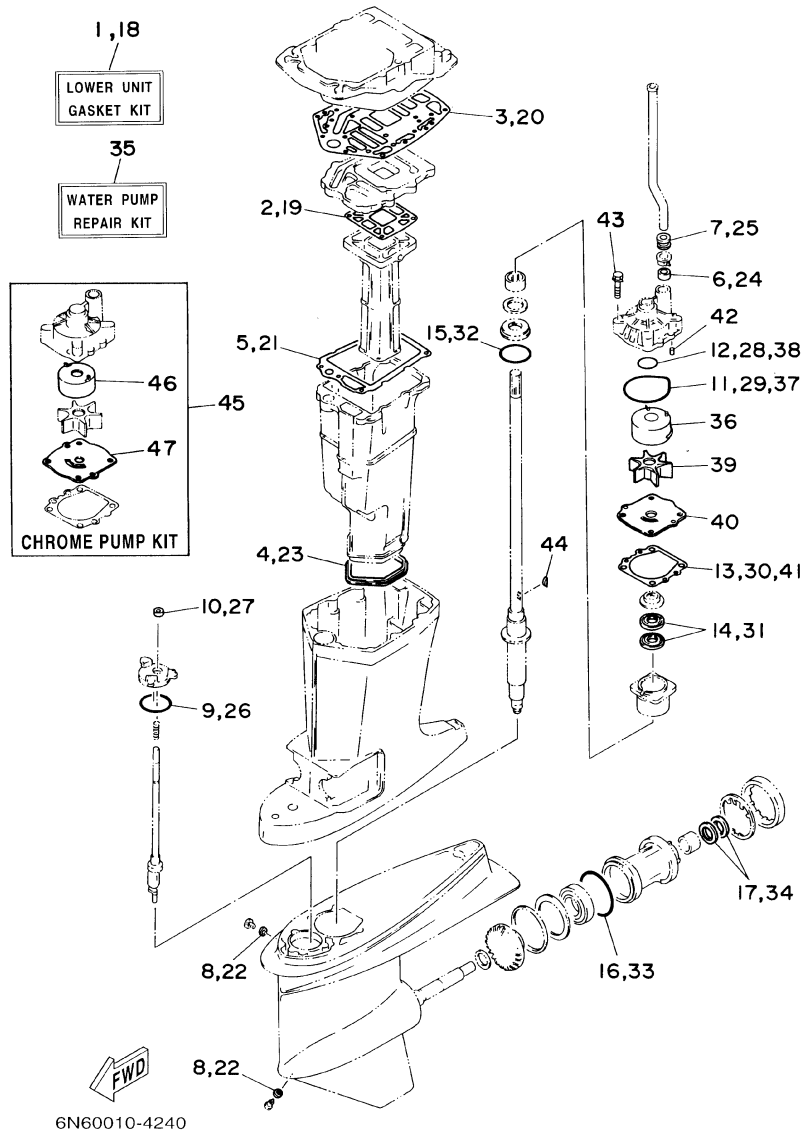


FIG. 31 REPAIR KIT 2

ESTUCHE REPARATION 2

REF. NO.	PART NO. CODIGO NO.	DESCRIPTION DESCRIPTION	Q	U	REMARKS OBSERVACION
28	93210-37160	.O-RING .ANILLO O		1	
29	93210-86M38	.O-RING .ANILLO O		1	
30	6E5-44315-A0	.GASKET, WATER PUMP .EMPAQUE		1	
31	93101-28M16	.OIL SEAL .SELLO ACEITE		2	
32	93210-55M14	.O-RING .ANILLO O		1	
33	93210-86M39	.O-RING .ANILLO O		1	
34	93101-30M17	.OIL SEAL .SELLO ACEITE		2	
35	6N6-W0078-02	WATER PUMP REPAIR KIT ESTUCHE REPARACION BOMBA AGUA	1	1	
36	61A-44322-02	.INSERT, CARTRIDGE .CARTUCHO	1	1	
37	93210-86M38	.O-RING .ANILLO O	1	1	
38	93210-37160	.O-RING .ANILLO O	1	1	
39	6E5-44352-01	.IMPELLER .IMPULSOR	1	1	
40	6E5-44323-00	.OUTER PLATE, CARTRIDGE .PLACA EXTERIOR DEL CARTUCHO	1	1	
41	6E5-44315-A0	.GASKET, WATER PUMP .EMPAQUE	1	1	
42	93606-12019	.PIN, DOWEL .PASADOR DE CLAVIJA	2	2	
43	90119-08M14	.BOLT, WITH WASHER .TORNILLO CON ARANDELA	4	4	
44	90280-04M05	.KEY, WOODRUFF .CUNA WOODRUFF	1	1	
45	6E5-W0078-3A	CHROME PUMP KIT ESTUCHE REPARACION BOMBA AGUA	1	1	
46	6R3-44322-42	.INSERT, CARTRIDGE .CARTUCHO	1	1	
47	6E5-44323-40	.OUTER PLATE, CARTRIDGE .PLACA EXTERIOR DEL CARTUCHO	1	1	

NUMERICAL INDEX
INDICE NUMERICO

PART NO. CODIGO NO.	REF. NO.	PART NO. CODIGO NO.	REF. NO.	PART NO. CODIGO NO.	REF. NO.	PART NO. CODIGO NO.	REF. NO.	PART NO. CODIGO NO.	REF. NO.	PART NO. CODIGO NO.	REF. NO.
6E5-W0001-F1	31 - 1	688-12414-A1	4 - 9	6E5-14483-A1	5 - 31	6E5-24351-50	25 - 14	6E5-41217-01	5 - 21	6E5-42762-00-1S	2 - 21
6F3-W0001-A5	30 - 1		30 - 8		30 - 3	6Y2-24360-02	25 - 16	662-41237-01	14 - 25	6E5-42769-00	22 - 5
6F3-W0001-21	31 - 18	6G5-12416-00	4 - 19	6E5-14485-00	5 - 28	61J-24360-10	8 - 5		14 - 31	6E5-42771-01-4D	13 - 27
6E5-W0004-00	5 - 2	6E5-12576-00	4 - 25	624-14485-00	5 - 7	6E5-24367-01	13 - 30	6E5-41256-01	5 - 22	6G5-42791-00	13 - 42
6N7-W0070-30	1 - 20	6G5-12581-00	22 - 12		5 - 27	6E5-24367-10	13 - 33	661-41262-02	5 - 23	6G5-42791-10	13 - 42
6E5-W0078-3A	31 - 45	6E5-13610-00	5 - 1	6E5-14488-00	9 - 21	6E5-24376-10	7 - 44	6E5-41271-02	5 - 24	6E5-42791-00	13 - 42
6N6-W0078-02	31 - 35	6E5-13621-A1	5 - 3	6E5-14527-01	6 - 23	650-24378-00	4 - 15	689-41273-00	5 - 25	6L1-42791-00	13 - 42
6E5-W0090-54-1S	2 - 1		30 - 16	6E5-14546-00	6 - 6	6E5-24410-03	7 - 24	688-41611-00	9 - 9	6R3-42791-41	22 - 2
6F3-W0090-65-1S	2 - 1	6E5-13641-03-1S	5 - 6		30 - 24	6E5-24411-00	7 - 30	688-41612-00	9 - 10	6R3-42792-41	22 - 3
6E5-W0093-09	30 - 21	6E5-13645-A1	5 - 13	6E5-14711-01-5B	22 - 28	6E5-24412-10	7 - 37	6E5-41631-01-1S	14 - 10	688-42815-01-4D	13 - 3
656-W2810-02	7 - 50		30 - 17	6E5-14737-00	22 - 29	6E5-24413-00	7 - 27	6E5-41632-02-1S	14 - 6	6E5-42816-01	13 - 10
6E5-W4271-05-4D	13 - 1	6E5-14159-00	6 - 7	64D-1492E-88	6 - 12	6A0-24421-01	7 - 34	6E5-41636-01	14 - 23	6G5-42816-00	13 - 9
6E5-11111-10-1S	4 - 1		30 - 22	64D-1492E-9H	6 - 12	6E5-24423-00	7 - 32	688-41636-00	14 - 29	688-42816-00	13 - 4
6L1-11111-00-1S	4 - 1	6E5-14198-A2	5 - 18	64D-1492F-90	6 - 12	648-24424-00	7 - 31	6E5-42510-05-8D	16 - 1	6E5-42817-01-4D	13 - 8
6E5-11119-01	2 - 18		30 - 4	6E5-1492F-44	6 - 9	650-24431-A0	7 - 38		19 - 10	6E5-43111-04-8D	15 - 1
6E5-11181-A1	4 - 2		30 - 23	64D-1492F-39	6 - 9		30 - 20	6E5-42510-25-8D	19 - 10	64E-43111-02-8D	18 - 1
	30 - 6	6E5-14223-00	6 - 21	64D-1492F-41	6 - 9	6E5-24434-02	7 - 33	624-42542-00	9 - 19	6E5-43112-04-8D	15 - 6
6E5-11191-01-1S	4 - 4	6E5-14301-16	6 - 1	61A-1492H-12	6 - 14	6E5-24435-00	7 - 29		10 - 3	64E-43112-02-8D	18 - 9
6E5-11193-A0	4 - 5	6E5-14301-41	6 - 1	6J8-14959-00	6 - 26	61A-24469-00	7 - 11	6E5-42610-80-4D	1 - 1	6E5-43124-00	17 - 4
	30 - 7	6L1-14301-04	6 - 1		30 - 31	6E5-24471-00	7 - 28	6F3-42610-40-4D	1 - 1	6E5-43126-02	15 - 36
6R3-1131M-01	2 - 14	6E5-14302-16	6 - 2	61U-14959-00	6 - 10	61A-24521-00	7 - 6	6E5-42613-01-4D	1 - 15	64E-43126-00	18 - 37
6E5-11325-00	2 - 12	6E5-14302-41	6 - 2		30 - 32	65L-24531-01	7 - 7	6E5-42615-00	1 - 14	6E5-43128-00-8D	17 - 2
6E5-11370-00	5 - 8	6L1-14302-04	6 - 2	6E5-14979-00	6 - 19	65L-24558-00	7 - 12	6E5-42617-00	1 - 11	6R3-43131-00	15 - 14
6E5-11371-00-1S	2 - 24	6E5-14321-00	6 - 16		30 - 30	61A-24560-04	7 - 5	6E5-42619-00	1 - 12	64E-43131-01	18 - 15
6E5-11372-00	2 - 5	6E5-14323-03	6 - 20	6N6-15100-01-1S	2 - 2	61A-24563-00	7 - 10	6E5-42627-00	1 - 13	64E-43139-02	19 - 1
6G5-11372-00-1S	4 - 23	6E5-14324-00	6 - 25	6N7-15100-01-1S	2 - 2	61A-24564-00	7 - 8	6E5-42647-00-94	1 - 2	6G5-43144-00	15 - 26
624-11379-00	2 - 3	6A0-14325-00	7 - 35	6E5-15163-00-1S	3 - 3	61U-24566-00	7 - 16	6E5-42649-01-94	1 - 3		18 - 27
6E5-11381-A2	2 - 25	6E5-14328-01	6 - 18	6G5-15359-00-94	3 - 11	61A-24577-01	7 - 9	6E5-42652-00	1 - 7	6E5-43145-01	26 - 8
	30 - 5		30 - 29	6YJ-24167-00	25 - 7	6YJ-24610-01	25 - 2	688-42652-00	1 - 8	6G5-43148-00	15 - 31
6G5-11382-A1	4 - 22	6J8-14334-00	6 - 17	6YJ-24201-00	25 - 1	6E5-41111-00-1S	4 - 11	663-42662-00	1 - 4		18 - 32
6R3-11397-01	2 - 15	64D-14381-00	6 - 4	6YJ-24201-10	25 - 1	6L1-41111-00-1S	4 - 11	6E5-4267A-31	1 - 21	6E5-43160-00	15 - 18
6N7-11411-01	3 - 1	61A-14383-01	6 - 15	6YJ-24260-00	25 - 3	6E5-41112-A1	4 - 12	6E5-42677-40	1 - 18	688-43165-00	15 - 19
6E5-11447-00	3 - 2	64D-14384-01	6 - 3	6Y1-24260-12	25 - 3		4 - 13	6F3-42677-40	1 - 18	6E5-43170-00-4D	17 - 1
663-11518-01	2 - 4		30 - 18	6Y1-24268-00	25 - 6		30 - 9	6E5-42678-31	1 - 19	6G5-43181-02	18 - 29
64D-11603-01	3 - 18		30 - 27	6E5-24304-10	7 - 1		30 - 10	6F3-42678-31	1 - 19	61U-43181-00	15 - 28
64D-11604-01	3 - 18	6E5-14385-02	6 - 5	6E5-24305-04	8 - 6	6N7-41113-00-1S	4 - 14	6N7-42678-30	1 - 22	688-43184-00	17 - 28
64D-11605-01	3 - 18	6E5-14386-02	6 - 8		25 - 9	6G5-41131-01-5B	22 - 20	6N7-42681-30	1 - 23	6G5-43185-02	18 - 30
6R5-11631-11-93	3 - 16		30 - 25	6Y2-24305-04	25 - 11	6E5-41132-10-5B	22 - 24	6N7-42682-30	1 - 24	61U-43185-00	15 - 29
6R5-11633-10	3 - 19	64D-14394-00	6 - 11	6Y2-24306-A2	8 - 1	6L1-41132-00-5B	22 - 24	648-42715-00	14 - 49	6E5-43311-A2-8D	15 - 22
6R5-11634-10	3 - 20		30 - 26	6Y2-24306-07	25 - 8	6E5-41134-A0	22 - 25	6E5-42716-00	13 - 36	64E-43311-10-8D	18 - 22
6R5-11635-11	3 - 16	647-14395-60	5 - 30	6E5-24312-00	4 - 16		31 - 2	6E5-42724-00	22 - 11	64E-43311-20-8D	18 - 22
6R5-11636-11	3 - 16	6E5-14398-00	6 - 13	61U-24313-00	7 - 3	6G5-41134-A0	22 - 25	6E5-42725-00	13 - 15	6E5-43317-00	17 - 24
6R5-11642-11-93	3 - 17		30 - 28	61U-24314-00	7 - 21		31 - 19	6H4-42726-00	13 - 24	61A-43376-00	19 - 8
6R5-11645-11	3 - 17	6E5-1441K-00	5 - 35	6G5-24316-10	7 - 41	6E5-41135-A0	22 - 32	688-42726-10	13 - 24	6E5-43613-00	17 - 6
6R5-11646-11	3 - 17	6E5-14416-A1	5 - 36	6G5-24318-10	7 - 45		31 - 5	6E5-42738-01-5B	13 - 16	6E5-43614-00	17 - 7
6R5-11650-10	3 - 21		30 - 2	6G5-24319-10	7 - 46		31 - 21	6E5-42741-01-4D	13 - 26	6E5-43615-00	17 - 8
6E5-12411-20	4 - 7	6E5-14417-10-94	5 - 26	6Y1-24329-00	25 - 5	6G5-41137-02-94	22 - 10	6H4-42748-00	13 - 2	6E5-43616-00	17 - 26
6G5-12413-00-1S	4 - 8	6E5-14418-00	5 - 34	6E5-24351-01	8 - 3	6E5-41213-00	14 - 32	6E5-42761-00-1S	2 - 20	6E5-43630-01	17 - 18

NUMERICAL INDEX
INDICE NUMERICO

PART NO. CODIGO NO.	REF. NO.	PART NO. CODIGO NO.	REF. NO.	PART NO. CODIGO NO.	REF. NO.	PART NO. CODIGO NO.	REF. NO.	PART NO. CODIGO NO.	REF. NO.	PART NO. CODIGO NO.	REF. NO.
61U-43631-00	17 - 22	64E-43867-00	20 - 8	6E5-44365-00	24 - 19	6E5-45318-00	22 - 35	688-45930-02-98	24 - 26	703-48243-00	28 - 15
6E5-43659-00	17 - 13	64E-43868-00	21 - 3		31 - 6	6E5-45321-00	23 - 13	688-45932-60-98	24 - 26	703-48244-00	28 - 21
6E5-43676-00	17 - 30	64E-43869-00	20 - 26		31 - 24	6E5-45331-00-94	23 - 34	6E5-45941-00-EL	24 - 26	703-48245-00	28 - 11
6E5-43679-00	17 - 16	64E-4387A-00	21 - 23	6E5-44366-00	24 - 1	6E5-45332-00-94	23 - 58	6E5-45943-00-EL	24 - 26	703-48246-00	28 - 23
64E-4380F-00	21 - 33	6E5-43872-00	20 - 12		31 - 7	688-45341-10	23 - 7	6E5-45945-01-EL	24 - 26	701-48248-00	28 - 13
64E-4380J-00	21 - 30	64E-43873-00	21 - 24		31 - 25	6E5-45344-00	23 - 40	6E5-45947-00-EL	24 - 26	703-48252-00	28 - 12
64E-43800-02-4D	20 - 1	6E5-43874-01	20 - 21	6E5-44391-00	13 - 14	6E5-45371-01	24 - 14	6E5-45949-00-EL	24 - 26	703-48261-01	28 - 2
64E-43802-00	21 - 8	64E-43875-00	21 - 25	6E5-44511-00-5B	16 - 30	6E5-45371-10	24 - 28	6E5-45952-00-EL	24 - 26	703-48264-00	28 - 6
64E-43805-00	21 - 37	64E-43879-00	21 - 27		19 - 38	688-45375-00	24 - 9	6E5-45954-00-EL	24 - 26	703-48265-00	28 - 9
64E-4381G-00	20 - 27	64E-43879-10	21 - 26	6E5-44514-00-94	16 - 23	663-45376-00-94	24 - 8	6E5-45956-00-EL	24 - 26	703-48268-00	28 - 5
64E-43810-00	20 - 6	64E-4388E-00	20 - 25		19 - 31	6E5-45378-00	23 - 10	6E5-45970-10	24 - 27	703-48271-00	28 - 60
6E5-43814-02	20 - 13	64E-4388E-10	21 - 1	6G5-44526-00	15 - 3	688-45383-02	23 - 68	688-45970-03-98	24 - 26	703-48281-00	28 - 31
64E-43816-00	21 - 17	64E-4388J-00	20 - 3		18 - 3	688-45384-00	23 - 69	6E5-45972-10	24 - 27	703-48282-00	28 - 32
64E-43817-00	20 - 5	64E-43880-01	21 - 28	68F-44533-00	2 - 22	6E5-45501-01	23 - 43	688-45972-02-98	24 - 26	703-48284-00	28 - 52
64E-43817-10	21 - 19	64E-43883-00	20 - 11	6G5-44551-01-8D	16 - 5	6E5-45501-21	23 - 43	6E5-45974-10	24 - 27	701-48287-00	28 - 42
64E-43818-01	20 - 32	64E-43891-00	21 - 31		19 - 13	61A-45527-00	23 - 23	688-45974-02-98	24 - 26	703-48291-10	28 - 39
64E-4382G-00	20 - 29	64E-43892-00	21 - 34	6E5-44552-01-94	16 - 16	6E5-45536-00	23 - 9	6E5-45976-10	24 - 27	703-48293-10	28 - 41
64E-43820-00	20 - 15	6E5-43896-00	21 - 9		19 - 24	61A-45538-00	23 - 20	688-45976-01-98	24 - 26	701-48320-40	27 - 2
64E-43821-00	20 - 16	64E-43897-00	20 - 24	6E5-44553-01-8D	16 - 19	6E5-45551-02	23 - 44	6E5-45978-10	24 - 27	701-48320-50	27 - 2
64E-43822-00	20 - 17	64E-43898-00	20 - 7		19 - 27	6E5-45560-01	23 - 46	688-45978-60-98	24 - 26	701-48320-80	27 - 2
64E-43825-01	20 - 2	6E5-44117-00-1S	14 - 36	6E5-44555-00-94	16 - 8	6E5-45567-01-10	23 - 5	6E5-45978-01	24 - 21	6E5-48344-00	14 - 7
64E-43827-00	21 - 22	6E5-44118-01-94	14 - 44		19 - 16	6E5-45567-01-12	23 - 5	6E5-45994-10	24 - 29		14 - 42
64E-43828-00	20 - 22	6E5-44120-03	14 - 51	6E5-44575-00	16 - 7	6E5-45567-01-15	23 - 5	688-45997-01	24 - 22	703-48345-01	28 - 19
64E-43829-00	20 - 23	6E5-44120-23	14 - 51		19 - 15	6E5-45567-01-18	23 - 5	703-48152-00	28 - 57	703-48358-00	28 - 20
64E-43830-00	21 - 4	68F-44121-00	14 - 38	663-44575-00	16 - 29	6E5-45567-01-30	23 - 5	703-48153-00	28 - 3	6E5-48531-00	14 - 1
64E-43831-00	21 - 2	6E5-44122-00	14 - 39		19 - 37	6E5-45567-01-40	23 - 5	703-48189-00	28 - 17	6E5-48538-00	14 - 2
64E-4384J-00	20 - 18	6E5-44150-02	23 - 17	6E5-45111-02-8D	22 - 1	6E5-45567-01-50	23 - 5	703-48198-00	28 - 14	6E5-61350-02	26 - 1
64E-43841-00	21 - 7	688-44194-00	14 - 14	6E5-45111-23-8D	22 - 1	6E5-45571-01	23 - 60	703-48201-16	27 - 1	6E5-61351-01	26 - 2
64E-43843-00	21 - 6		14 - 28	6G5-45113-A1	22 - 14	6E5-45576-00	23 - 61		28 - 1	6E5-61355-00	26 - 5
64E-43843-10	21 - 38	61A-44311-01	23 - 24		30 - 19	6L6-45577-00-10	23 - 65	703-48205-17	27 - 1	6E5-81332-00	9 - 13
64E-43850-00	21 - 15	6E5-44312-00	24 - 20	6G5-45114-A0	22 - 21	6L6-45577-00-12	23 - 65		28 - 1	6E5-81337-01	9 - 16
64E-43851-00	21 - 11	6E5-44315-A0	23 - 31		31 - 3	6L6-45577-00-15	23 - 65	703-48211-01	28 - 61	6N7-81800-10	12 - 1
64E-43855-00	21 - 14		31 - 13		31 - 20	6L6-45577-00-18	23 - 65	703-48212-00	28 - 58	6N7-81801-00	12 - 8
6E5-43858-00	20 - 28		31 - 30	663-45119-00	15 - 13	6L6-45577-00-30	23 - 65	703-48213-00	28 - 59	6N7-81807-00	12 - 11
64E-43858-00	21 - 12		31 - 41		15 - 24	6L6-45577-00-40	23 - 65	703-48215-00	28 - 43	61A-81809-00	12 - 3
	21 - 18	6R3-44322-42	23 - 25		18 - 14	6L6-45577-00-50	23 - 65	703-48219-00	28 - 30	6N7-81810-00	12 - 5
72X-43858-00	21 - 5		31 - 46		18 - 25	6E5-45587-01-10	23 - 37	703-48221-00	28 - 56	6N7-81813-00	12 - 9
64E-43859-00	21 - 13	61A-44322-02	23 - 25	6E5-45123-00	22 - 31	6E5-45587-01-12	23 - 37	703-48222-00	28 - 27	6E5-8182A-10	12 - 17
6H1-4386K-10	21 - 29		31 - 36		31 - 4	6E5-45587-01-15	23 - 37	703-48223-00	28 - 28	6E5-8182E-10	12 - 15
64E-43860-00	21 - 20	6E5-44323-00	23 - 30		31 - 23	6E5-45587-01-18	23 - 37	703-48224-00	28 - 55	6E5-8182F-10	12 - 16
6E5-43862-00	20 - 10		31 - 40	6E5-45155-00	22 - 4	6E5-45587-01-30	23 - 37	703-48225-00	28 - 29	6K7-8182G-10	12 - 6
	20 - 14	6E5-44323-40	23 - 30	688-45214-02	24 - 10	6E5-45587-01-40	23 - 37	703-48226-00	28 - 26	6E5-8182K-10	12 - 18
6G5-43863-00	21 - 10		31 - 47	688-45215-02	24 - 11	6E5-45587-01-50	23 - 37	703-48227-00	28 - 24	6N7-81820-10	12 - 10
6E5-43864-00	20 - 20	6E5-44352-01	23 - 28	6G5-45251-02	15 - 2	6E5-45611-01	23 - 48	703-48232-00	28 - 62	6E5-81822-02-98	12 - 19
6G5-43864-00	20 - 19		31 - 39		18 - 2	6E5-45631-01	23 - 56	703-48234-00	28 - 18	61A-81824-00	12 - 4
6G5-43865-00	21 - 35	6E5-44361-00	24 - 2	6E5-45300-16-8D	23 - 1	6E5-45633-01	23 - 57	703-48235-00	28 - 4	6K7-81826-10	12 - 14
64E-43865-00	21 - 16	6E5-44361-20	24 - 2	6E5-45300-26-8D	23 - 1	6E5-45634-01	23 - 50	703-48236-00	28 - 16	6N7-81830-00	12 - 13
64E-43866-00	20 - 9	6E5-44365-00	24 - 3	6E5-45301-04-8D	23 - 2	6E5-45641-02	23 - 49	703-48238-00	28 - 22	6N7-81840-00	12 - 7

NUMERICAL INDEX
INDICE NUMERICO

PART NO. CODIGO NO.	REF. NO.	PART NO. CODIGO NO.	REF. NO.	PART NO. CODIGO NO.	REF. NO.	PART NO. CODIGO NO.	REF. NO.	PART NO. CODIGO NO.	REF. NO.	PART NO. CODIGO NO.	REF. NO.
6N7-81850-10	12 - 2	6E5-82594-00	13 - 41	90119-06MA3	5 - 14	90201-10M20	26 - 7	90386-06M12	14 - 43	90465-11M10	7 - 22
6N7-81857-00	12 - 12	688-82594-00	13 - 40	90119-06MA4	4 - 6	90201-12M05	15 - 41	90386-08032	17 - 19		7 - 23
61A-81941-00	11 - 6	703-82594-00	28 - 25	90119-06MA5	4 - 18		18 - 42	90386-10M16	15 - 30		7 - 42
6E5-81948-10	11 - 13	703-83383-02	28 - 51	90119-06MA6	4 - 10	90201-13M01	15 - 40		18 - 31		7 - 43
6E5-81948-22	11 - 13	6Y5-83514-00	29 - 5	90119-06M09	13 - 7		18 - 41	90386-12089	14 - 17		7 - 47
6E5-8195A-00	11 - 9	6Y5-83517-00	29 - 2		13 - 13	90201-14M56	16 - 26	90386-13M38	13 - 5		7 - 48
6E5-81950-00	11 - 8	6Y5-83518-00	29 - 9	90119-06M10	23 - 16		19 - 34		13 - 11		18 - 21
689-81952-10	11 - 7	6Y5-83523-00	29 - 4	90119-06M31	5 - 37	90201-15M58	16 - 13	90386-16M66	14 - 53		19 - 5
6H0-81960-00	10 - 13	6Y5-83536-00	29 - 10	90119-06M59	10 - 4		19 - 21	90386-18M44	15 - 37		24 - 18
6E5-81961-00	10 - 18	6Y5-83536-10	29 - 3	90119-06M65	9 - 20	90201-16M55	16 - 10		17 - 5	90465-12M25	11 - 38
6E5-82105-12	11 - 27	6Y5-83540-14	29 - 1	90119-08MA3	2 - 19		19 - 18	90386-22M13	14 - 19	90465-13M18	4 - 26
6E5-82116-00	11 - 12	6Y5-83544-00	29 - 11	90119-08MA8	4 - 3	90201-21M18	9 - 5	90386-22M98	18 - 38		11 - 17
6E5-82117-01	11 - 28	6Y5-83553-00	29 - 13	90119-08M14	23 - 33	90201-22M01	23 - 21		20 - 33	90467-08004	4 - 17
6Y5-82117-00	29 - 15	6N7-83557-00	11 - 16		31 - 43	90201-23M01	3 - 24	90386-25M31	15 - 15	90468-18008	14 - 41
6G5-82119-00	11 - 11	6E5-83558-00	24 - 17	90119-08M22	13 - 23	90201-26M57	16 - 24		18 - 18	90480-06M19	8 - 8
6E5-82147-00	15 - 25	6E5-83558-10	23 - 12	90119-08M57	12 - 22		19 - 32	90386-38M32	16 - 4	90480-10M36	13 - 25
	18 - 26	688-83664-00	29 - 12	90119-08M76	12 - 20	90201-26M59	15 - 16		19 - 12	90480-20M05	4 - 21
6E5-82147-20	18 - 26	6Y5-83670-12	29 - 8	90119-08M77	12 - 21		18 - 19	90387-06M29	14 - 33	90480-22M15	13 - 19
6E5-82148-00	15 - 7	64E-83672-02	19 - 3	90119-08M79	22 - 15	90201-30M92	23 - 66	90387-06M77	10 - 16	90501-11M10	23 - 19
	18 - 6	72X-85075-L0	21 - 21	90119-08M94	2 - 10	90201-38M60	16 - 3	90387-08M16	14 - 18	90501-12082	14 - 48
	18 - 10	6E5-85510-01	9 - 2	90119-08027	22 - 9		19 - 11	90387-08M37	13 - 20	90501-16M11	4 - 20
6E5-82149-00	16 - 11	6N7-85537-00	10 - 11	90119-10M89	24 - 7	90202-08M08	17 - 20	90387-10M05	15 - 33	90501-16M12	14 - 12
	19 - 19	6E5-85540-00	10 - 7	90152-05M00	17 - 25	90202-08M20	14 - 40		18 - 34	90501-16M28	16 - 20
1E6-82151-00	29 - 14	6N7-85542-01-1S	10 - 1	90152-05M07	24 - 12	90202-12092	14 - 20	90387-10M61	26 - 3		19 - 28
663-82151-00	11 - 26	6E5-85550-00	9 - 1	90157-06M01	13 - 31	90202-16061	14 - 54	90430-08020	23 - 8	90501-16M37	23 - 51
6G5-82152-00	11 - 1	6R3-85570-01	11 - 2		13 - 34	90202-26M18	16 - 25		31 - 8	90502-20M03	15 - 21
6A0-82317-00	9 - 18	6E5-85580-00	9 - 3	90157-06013	14 - 11		19 - 33		31 - 22	90506-09M09	17 - 27
	10 - 2	6E5-86110-02	11 - 18		14 - 26	90202-32M19	16 - 9	90430-14115	2 - 7	90506-14M24	15 - 35
6G5-82317-00	9 - 17	6E5-86116-01	11 - 19	90159-06M11	10 - 12		19 - 17	90445-07ME8	23 - 11		18 - 36
663-82370-01	11 - 5	6G5-87149-10	11 - 10	90170-16M01	23 - 45	90202-40M47	19 - 7	90445-07ME9	23 - 11	90506-23M10	17 - 12
703-82510-43	28 - 44	90101-12M03	15 - 39	90170-20137	9 - 6	90206-10M04	14 - 34	90445-07MF0	24 - 16	90508-29M12	14 - 22
6R3-82519-00	11 - 29		18 - 40	90171-18M04	24 - 24	90206-13M10	13 - 6	90445-07M23	5 - 29	90560-12M01	26 - 4
662-82519-00	11 - 35	90105-10M00	24 - 15	90179-06066	16 - 22		13 - 12	90445-07M24	5 - 10	91490-25012	17 - 11
6E5-82531-10	11 - 32	90105-10M20	2 - 9		19 - 30	90206-22M19	23 - 22	90445-07M28	5 - 9		17 - 15
703-82531-00	28 - 46	90109-06M07	17 - 3	90183-05M02	22 - 30	90240-06M07	17 - 9	90445-07M46	5 - 11	91490-30025	17 - 29
703-82540-00	28 - 50	90109-08022	3 - 22	90185-05002	24 - 13	90249-06M19	15 - 32	90445-13M00	8 - 4	91490-40030	24 - 25
703-82542-00	28 - 63	90109-12M37	16 - 27	90185-06M07	14 - 9		18 - 33		25 - 15	91609-30010	11 - 20
6R3-82553-70	29 - 16		19 - 35	90185-09M01	26 - 6	90250-08M07	23 - 55		8 - 2	91690-30012	14 - 3
682-82556-00	28 - 48	90109-14M34	16 - 12	90185-12M12	16 - 28	90254-03003	17 - 23	90445-13M01	25 - 13	91690-30014	15 - 20
688-82560-10	11 - 24		19 - 20		19 - 36	90266-06M02	1 - 6	90446-15M07	7 - 49	91690-30020	15 - 34
703-82563-02	28 - 55	90116-06M30	5 - 12	90185-22M11	15 - 17	90266-06009	1 - 5	90464-12M00	9 - 12		18 - 35
688-82575-01	28 - 47	90116-08M45	2 - 11		18 - 20	90280-04M05	23 - 29	90465-05M87	11 - 39	92903-05600	7 - 26
703-82577-00	28 - 45	90119-06MA2	2 - 23	90201-06M05	10 - 17		31 - 44	90465-06M86	2 - 27	92903-06600	2 - 17
688-8258A-20	28 - 49		2 - 26	90201-06068	7 - 15	90280-05015	9 - 4		5 - 15		5 - 33
6E5-82588-00	13 - 37		3 - 7	90201-08M13	14 - 21	90282-04010	23 - 67		10 - 19		9 - 8
6E5-82590-04	11 - 25		3 - 15	90201-08M14	20 - 30	90338-05M03	13 - 33	90465-08M63	18 - 23		10 - 15
703-82591-00	28 - 53		4 - 24	90201-08M23	14 - 16	90340-08002	23 - 6	90465-08M89	11 - 40	92903-08600	14 - 46
703-82592-00	28 - 54		14 - 37	90201-08M54	13 - 21	90340-14M00	2 - 6	90465-11M10	7 - 4	92990-05100	29 - 7

NUMERICAL INDEX
INDICE NUMERICO

PART NO. CODIGO NO.	REF. NO.	PART NO. CODIGO NO.	REF. NO.	PART NO. CODIGO NO.	REF. NO.	PART NO. CODIGO NO.	REF. NO.	PART NO. CODIGO NO.	REF. NO.	PART NO. CODIGO NO.	REF. NO.
92990-05600	5 - 5	92995-10100	16 - 18	93210-86M39	23 - 64	95380-05600	14 - 30	97095-08020	14 - 4		
92990-06100	10 - 9		16 - 32		31 - 16		28 - 7		18 - 16		
92990-06200	14 - 8		19 - 26		31 - 33		29 - 6	97095-08025	23 - 41		
92990-06600	10 - 10		19 - 40	93211-04001	3 - 6	95380-06600	5 - 19	97095-08030	22 - 22		
	13 - 32		24 - 6		30 - 12		28 - 40	97095-08045	22 - 16		
	13 - 35	92995-14600	16 - 15	93306-208U0	3 - 9	95380-08700	22 - 18		22 - 26		
	15 - 9		19 - 23		23 - 59	95380-12600	15 - 42		22 - 33		
	17 - 10	93101-22M15	3 - 13	93310-323V6	3 - 23		18 - 43	97095-10045	15 - 10		
	18 - 12		30 - 14	93310-836U0	3 - 25	95380-14800	16 - 14		16 - 17		
92990-08600	12 - 23	93101-28M16	23 - 35	93310-954U1	3 - 8		19 - 22		16 - 31		
	28 - 34		31 - 14	93311-940U3	3 - 4	95780-10300	19 - 9		19 - 25		
92990-18200	24 - 23		31 - 31	93315-425U7	23 - 47	97013-06016	2 - 16		19 - 39		
92995-06100	5 - 20	93101-30M17	23 - 63	93315-430U8	23 - 62	97013-06020	5 - 32	97380-05025	28 - 8		
	7 - 14		31 - 17	93315-628U9	23 - 3	97013-06045	10 - 14	97380-08030	28 - 33		
	15 - 5		31 - 34	93317-330U2	23 - 36	97013-06060	9 - 7	97607-04310	21 - 32		
	18 - 5	93102-08M43	21 - 36	93332-000U7	23 - 4	97013-08030	14 - 45	97780-60525	19 - 2		
92995-06600	1 - 10	93102-35M13	3 - 12	93341-930V2	23 - 38	97013-08045	14 - 15	97880-05025	5 - 4		
	1 - 17		30 - 13	93410-16006	14 - 55	97075-08035	13 - 22	97880-06012	15 - 8		
	5 - 17	93102-40M14	3 - 5	93410-18M02	15 - 38	97075-10045	24 - 5		18 - 11		
	7 - 18		30 - 11	93410-22M11	18 - 39	97080-08016	20 - 31	97880-06018	9 - 11		
	7 - 20	93106-09014	23 - 15	93410-37M04	16 - 6	97095-06010	15 - 27	97880-06040	10 - 8		
	7 - 40		31 - 10		19 - 14		18 - 7	97885-06010	9 - 14		
	9 - 15		31 - 27	93410-40M03	3 - 10		18 - 28	97885-06016	16 - 21		
	10 - 6	93109-38M02	16 - 2	93420-36M01	22 - 36		22 - 6		19 - 4		
	10 - 21	93210-03261	11 - 23	93430-06024	28 - 10	97095-06012	5 - 16		19 - 29		
	11 - 4	93210-08287	8 - 7	93501-04M02	14 - 47		10 - 5	97980-05108	6 - 24		
	11 - 15		25 - 10	93503-16003	23 - 54		10 - 20	97980-05116	6 - 22		
	11 - 22		25 - 12	93507-32009	23 - 52		11 - 30	98503-05035	7 - 25		
	11 - 31	93210-09165	14 - 52	93511-32017	23 - 53		11 - 33	98580-03015	28 - 38		
	11 - 34	93210-10M74	20 - 4	93606-12019	23 - 32		11 - 36	98580-04006	28 - 36		
	11 - 37	93210-16275	26 - 9		31 - 42	97095-06014	7 - 17	98580-04010	28 - 35		
	13 - 18	93210-37MH7	19 - 6	93608-12M05	22 - 8	97095-06016	1 - 9	98580-05010	28 - 37		
	13 - 29	93210-37160	23 - 27		22 - 13		1 - 16	98586-05016	25 - 4		
	13 - 39		31 - 12		24 - 4		7 - 13	98780-04015	2 - 13		
	18 - 8		31 - 28	93608-12063	2 - 8		7 - 19	99001-08600	23 - 18		
	22 - 7		31 - 38	93700-06M03	14 - 50		11 - 14				
92995-08100	14 - 5	93210-55M14	23 - 39		15 - 12		11 - 21				
	18 - 17		31 - 15		15 - 23		13 - 17				
	22 - 17		31 - 32		18 - 13		17 - 17				
	22 - 19	93210-58144	23 - 14		18 - 24	97095-06020	11 - 3				
92995-08600	12 - 25		31 - 9	94702-00160	4 - 27		13 - 28				
	17 - 14		31 - 26	94702-00247	4 - 27		13 - 38				
	17 - 21	93210-74M35	3 - 14	94702-00309	4 - 27	97095-06025	14 - 35				
	22 - 23		30 - 15	94702-00317	4 - 27	97095-06028	7 - 2				
	22 - 27	93210-86M38	23 - 26	95303-06600	14 - 13	97095-06030	15 - 4				
	22 - 34		31 - 11		14 - 27		18 - 4				
	23 - 42		31 - 29	95380-03600	7 - 36	97095-06050	7 - 39				
92995-10100	15 - 11		31 - 37	95380-05600	14 - 24	97095-08016	12 - 24				

115B/140B
PARTS CATALOGUE
©2001 by Yamaha Motor Co., Ltd.
1st Edition, Oct. 2001
All rights reserved.
Any reprinting or unauthorized use
without the written permission of
Yamaha Motor Co., Ltd.
is expressly prohibited.

115B/140B
CATALOGO DE REPUESTOS
©2001, Yamaha Motor Co., Ltd.
1ª edición, Oct. 2001
Reservados todos los derechos.
Se prohíbe expresamente toda reimpresión
o utilización no autorizada de este manual
sin el consentimiento por escrito de
Yamaha Motor Co., Ltd.