

PARTS CATALOGUE

- TTR125** (5HPB) EUROPE,SOUTH AFRICA
- TTR125P** (5HPB/5HPC) USA,OCEANIA/CANADA
- TTR125L** (5HPD) EUROPE,SOUTH AFRICA
- TTR125LP** (5HPD/5HPE) USA,OCEANIA/CANADA
-

TTR125/P,TTR125L/LP
PARTS CATALOGUE
©2001 by Yamaha Motor Co., Ltd.
1st Edition, Jun. 2001
All rights reserved.
Any reprinting or unauthorized use
without the written permission of
Yamaha Motor Co., Ltd.
is expressly prohibited.

A3



A4

FOREWORD

This Parts Catalogue is related to the parts for the model(s) in the below frame. When you are ordering replacement parts, please refer to this Parts Catalogue and quote both part numbers and part names correctly.

TTR125/P(5HPB/5HPC), TTR125L/LP(5HPD/5HPE)

1. Modifications or additions which have been made after issue of the Parts Catalogue will be announced in the Yamaha Parts News. It is advisable that you make necessary corrections to the Parts Catalogue according to the Yamaha Parts News.

2. Abbreviations

The Following abbreviations are used in this Parts Catalogue.

- “UR” Use specified parts number.
- “UN” Use as many as needed.
- “AP” Alternate Parts
- “LM” Local Made (Parts need to be ordered locally)
- “F#” Frame No. (Applicable machine No.)

3. Parts, which are to be supplied in an assembly, are listed with a dot(.) in front of the part name as shown below.

EXAMPLE

- CARBURETOR ASSY
- .JET, PILOT
- .NOZZLE, MAIN

4. Number of component for assembly

The numeral appearing to the right of each component part indicates the quantity of parts for each assembly unit.

EXAMPLE

PART NO.	DESCRIPTION	Q'TY	REMARKS
2F5-83310-60	FRONT FLASHER LIGHT ASSY	2	
115-83311-60	.BULB (6V-18W)	1	
1M1-83309-60	.REFLECTOR	1	

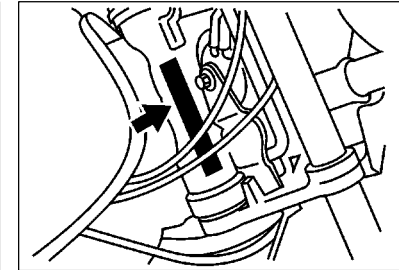
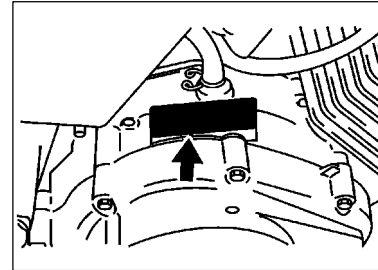
5. Applicable colors of graphics are represented in the “REMARKS” as shown below.

PART NO.	DESCRIPTION	Q'TY	REMARKS
2N4-24110-00-X5	FUEL TANK COMP.	1	MXR
3J1-24240-10	.GRAPHIC, FUEL TANK	1	FOR MXR

6. Applicable Serial No.

Engine Serial No.

Frame Serial No.



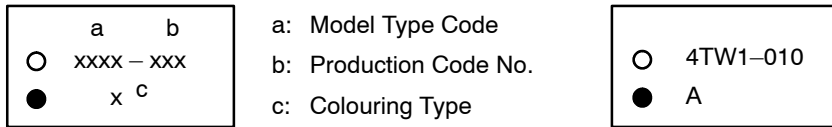
7. Note that the illustrations for reference in finding parts numbers, not to be used for assembling. When assembling, please use the applicable service manual.

8. The asterisk (*) before a reference number indicates modification items after the first edition.

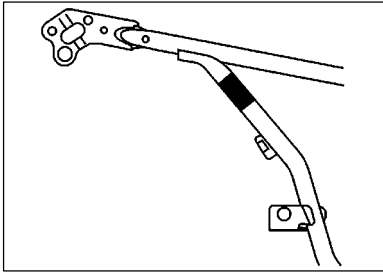
MODEL LABEL

(1) A label called "Model Label" is affixed in the location as indicated in (3) below.
When using this parts catalogue, please be sure to cross-refer the "model code – production code No." in the catalogue to the "model code – production code No." indicated on the Model Label affixed onto the product concerned.

(2) "Model Label" Indication



(3) Model Label Affixing Location



(4) Model Code – Production Code Number of Model Listed in This Parts Catalog

Model Code	Production Code No.	Country (destination)	Model Code	Production Code No.	Country (destination)	
5HPB 5HPD	010	USA	5HPB 5HPD	120	SOUTH AFRICA	
	020	AUSTRALIA		5HPD	130	PORTUGAL
	030	AUSTRIA			5HPC	140
		GERMANY	5HPE	010		CANADA
	040	BELGIUM		5HPE	010	CANADA
		HOLLAND				
	050	SWITZERLAND				
	060	DENMARK				
		FINLAND				
		IRELAND				
		NORWAY				
	070	SPAIN				
	080	FRANCE				
	090	ENGLAND				
100	GREECE					
120	NEWZEALAND					

(5) Colouring Information

Model Code	Colouring type code	Colour code	Colour Name	Abbreviation
5HPB 5HPC 5HPD 5HPE	A	0583	DEEP PURPLISH BLUE SOLID E	DPBSE

CONTENTS

ENGINE

CYLINDER	B2
CRANKSHAFT. PISTON	B3
VALVE	B4
CAMSHAFT. CHAIN	B5
OIL PUMP	B6
INTAKE	B7
CARBURETOR	B8
EXHAUST	B10
CRANKCASE	B12
CRANKCASE COVER 1	B13
STARTER	B14
CLUTCH	B15
TRANSMISSION	C2
SHIFT CAM. FORK	C4
SHIFT SHAFT	C5

CHASSIS

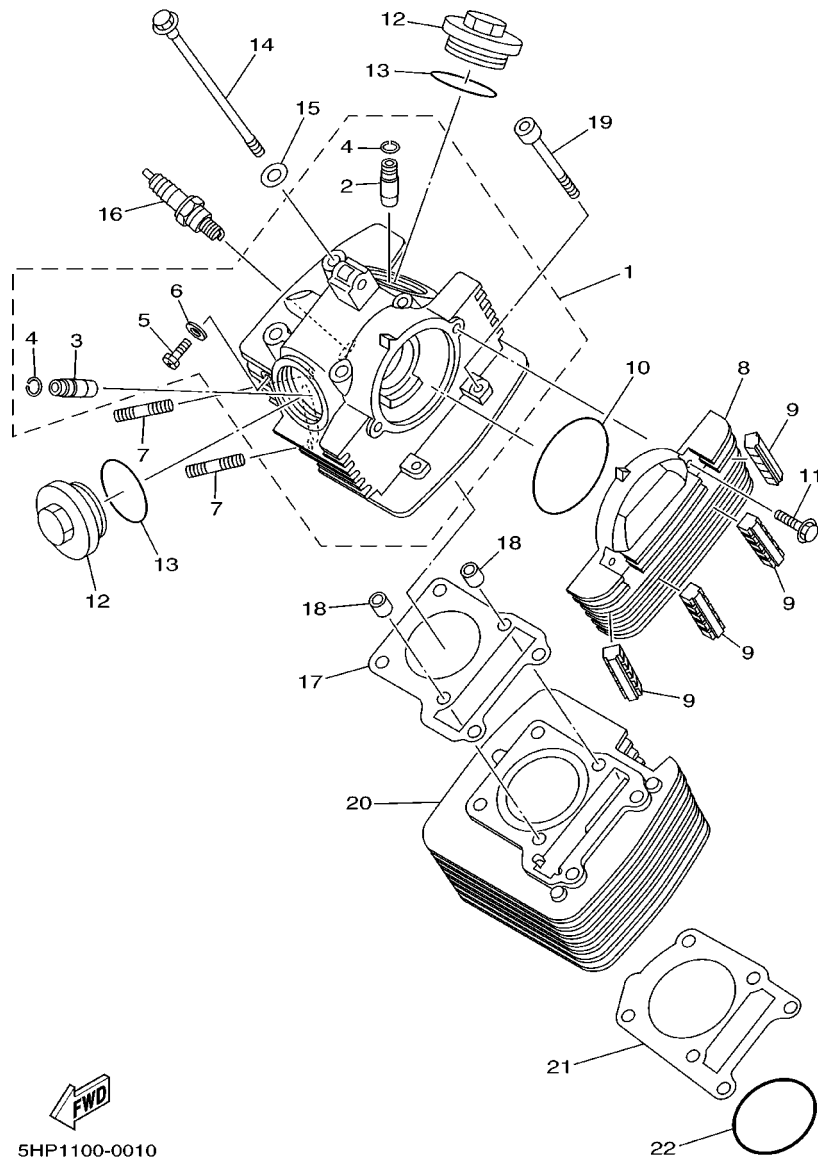
FRAME	C6
FENDER	C8
SIDE COVER	C9
REAR ARM. SUSPENSION	C10
STEERING	C13
FRONT FORK	C14
FRONT FORK 2	D2
FUEL TANK	D4
SEAT	D6
FRONT WHEEL	D7
FRONT WHEEL 2	D8
FRONT BRAKE CALIPER	D9

REAR WHEEL	D10
STEERING HANDLE. CABLE	D12
FRONT MASTER CYLINDER	D13
STAND. FOOTREST	D14
GENERATOR	E2
HANDLE SWITCH. LEVER	E3
HANDLE SWITCH. LEVER 2	E4
ELECTRICAL 1	E5

INDEX

NUMERICAL INDEX	M1
-----------------------	----

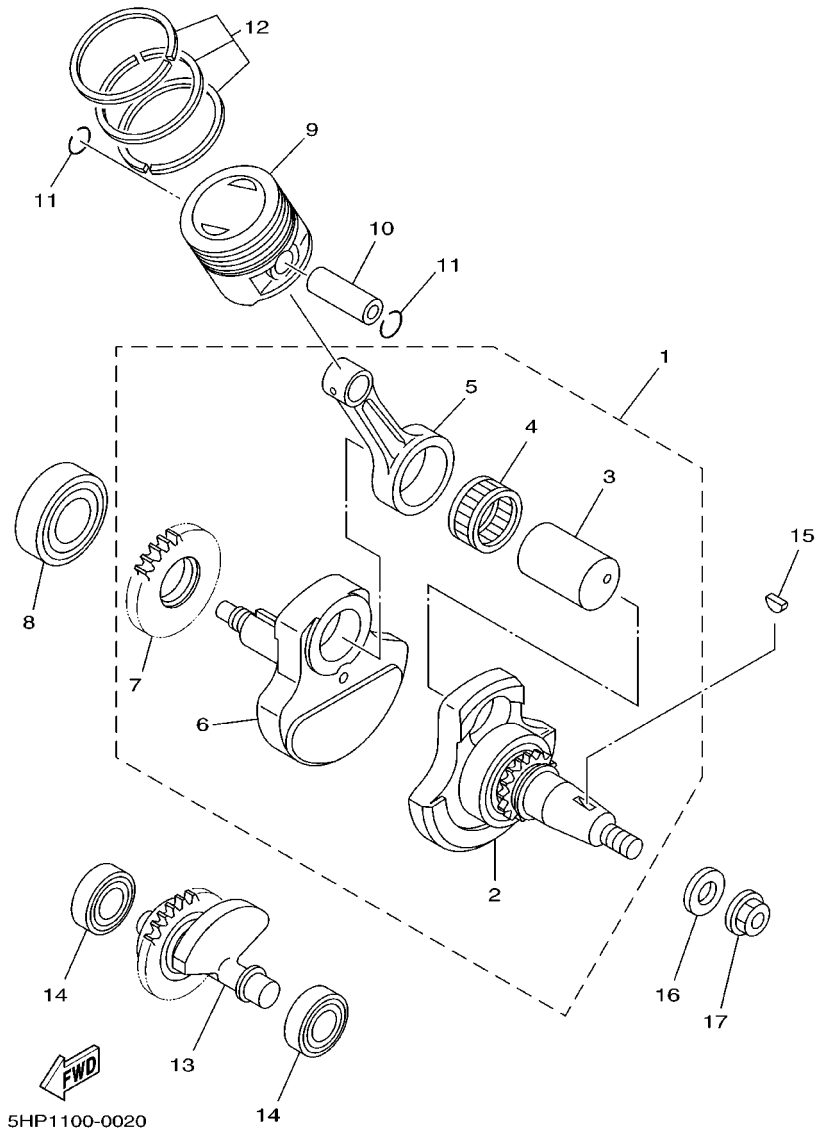
FIG. 1 CYLINDER



5HP1100-0010

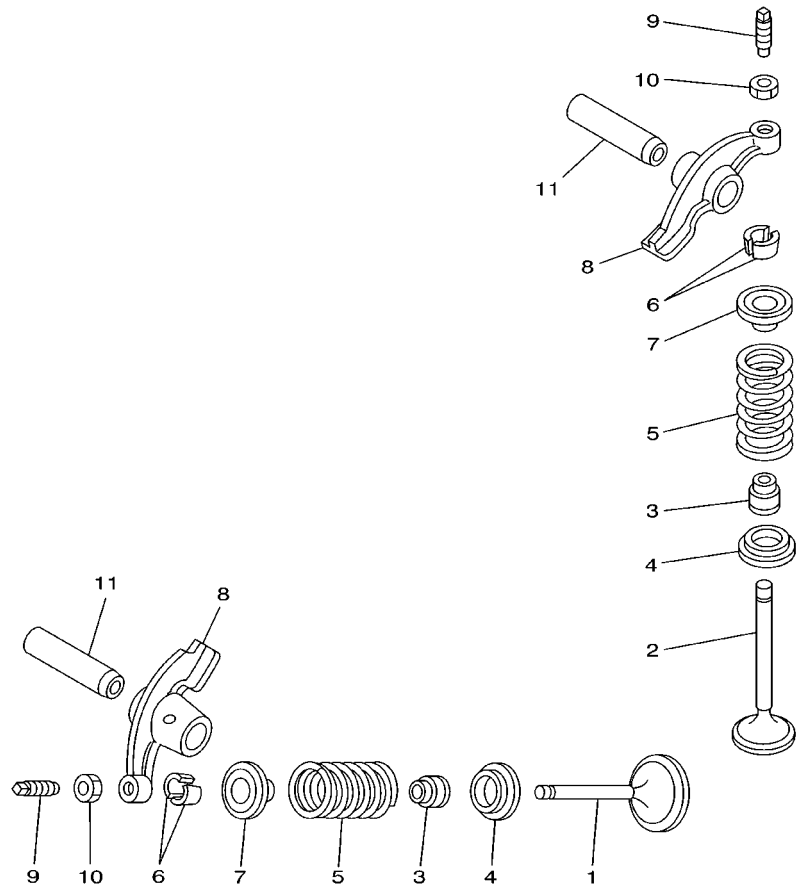
REF. NO.	PART NO.	DESCRIPTION	5HPB	5HPC	5HPD	5HPE	REMARKS
1	5HP-11111-00	HEAD, CYLINDER 1	1	1	1	1	
2	2UJ-11133-10	.GUIDE, INTAKE VALVE	1	1	1	1	
3	22F-11134-10	.GUIDE, EXHAUST VALVE	1	1	1	1	
4	93440-10109	.CIRCLIP	2	2	2	2	
5	90153-06029	.SCREW, HEXAGON	1	1	1	1	
6	90430-06014	.GASKET	1	1	1	1	
7	90116-06503	BOLT, STUD	2	2	2	2	
8	5HH-11185-00	COVER, CYLINDER HEAD SIDE 1	1	1	1	1	
9	5HP-11161-00	ABSORBER 1	4	4	4	4	
10	93210-71462	O-RING	1	1	1	1	
11	95027-06020	BOLT, FLANGE	2	2	2	2	
12	22F-11186-00	COVER, CYLINDER HEAD SIDE 2	2	2	2	2	
13	93210-44704	O-RING	2	2	2	2	
14	90105-08724	BOLT, FLANGE	4	4	4	4	
15	90201-08609	WASHER, PLATE	4	4	4	4	
16	94701-00265	PLUG, SPARK (ND U22FSR-U)	1	1	1	1	UR
	94701-00366	PLUG, SPARK (NGK CR7HSA)	1	1	1	1	UR
17	5AP-11181-00	GASKET, CYLINDER HEAD 1	1	1	1	1	
18	99530-10114	PIN, DOWEL	2	2	2	2	
19	90110-06014	BOLT, HEXAGON SOCKET HEAD	2	2	2	2	
20	5HP-11310-00	CYLINDER	1	1	1	1	
21	5HP-11351-00	GASKET, CYLINDER	1	1	1	1	
22	93210-57634	O-RING	1	1	1	1	

FIG. 2 CRANKSHAFT. PISTON



REF. NO.	PART NO.	DESCRIPTION	5HPB	5HPC	5HPD	5HPE	REMARKS
1	5HP-11400-00	CRANKSHAFT ASSY	1	1	1	1	
2	5HP-W1141-00	.CRANK 1	1	1	1	1	
3	4LS-11681-01	.PIN, CRANK 1	1	1	1	1	
4	93310-6290C	.BEARING	1	1	1	1	
5	4LS-11651-02	.ROD, CONNECTING	1	1	1	1	
6	5HP-11422-00	.CRANK 2	1	1	1	1	
7	5AP-11536-00	.GEAR, DRIVE	1	1	1	1	
8	93306-20597	BEARING	1	1	1	1	
9	5HP-11631-00-A0	PISTON (STD)	1	1	1	1	
	5HP-11636-00	PISTON (0.50MM O/S)	1	1	1	1	AP
	5HP-11638-00	PISTON (1.00MM O/S)	1	1	1	1	AP
10	2TK-11633-00	PIN, PISTON	1	1	1	1	
11	93450-16068	CIRCLIP	2	2	2	2	
12	4LS-11603-00	PISTON RING SET (STD)	1	1	1	1	
	4LS-11605-00	PISTON RING SET (0.50MM O/S)	1	1	1	1	AP
	4LS-11607-00	PISTON RING SET (1.00MM O/S)	1	1	1	1	AP
13	5HP-11500-00	BALANCER ASSY	1	1	1	1	
14	93306-20221	BEARING	2	2	2	2	
15	90280-03017	KEY, WOODRUFF	1	1	1	1	
16	90201-120E8	WASHER, PLATE	1	1	1	1	
17	90179-12248	NUT	1	1	1	1	

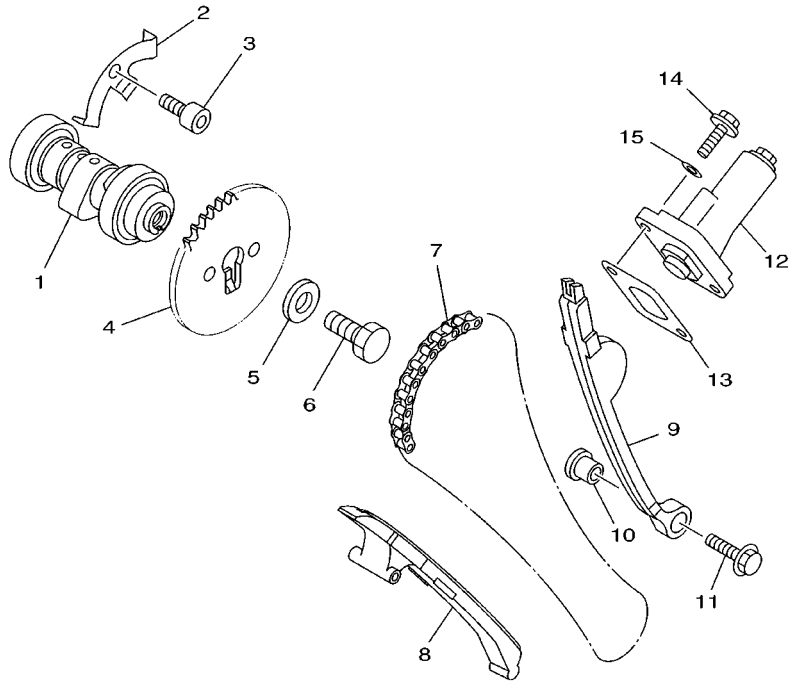
FIG. 3 VALVE



REF. NO.	PART NO.	DESCRIPTION	5HPB	5HPC	5HPD	5HPE	REMARKS
1	5HP-12111-00	VALVE, INTAKE	1	1	1	1	
2	5HP-12121-00	VALVE, EXHAUST	1	1	1	1	
3	2HX-12119-00	SEAL, VALVE STEM	2	2	2	2	
4	22F-12116-00	SEAT, VALVE SPRING	2	2	2	2	
5	5HP-12113-00	SPRING, VALVE INNER	2	2	2	2	
6	22F-12118-01	COTTER, VALVE	4	4	4	4	
7	22F-12117-02	RETAINER, VALVE SPRING	2	2	2	2	
8	50M-12151-00	ARM, VALVE ROCKER	2	2	2	2	
9	22F-12159-00	SCREW, VALVE ADJUSTING	2	2	2	2	
10	90170-05302	NUT	2	2	2	2	
11	22F-12156-00	SHAFT, ROCKER 2	2	2	2	2	


4LS1470-8030

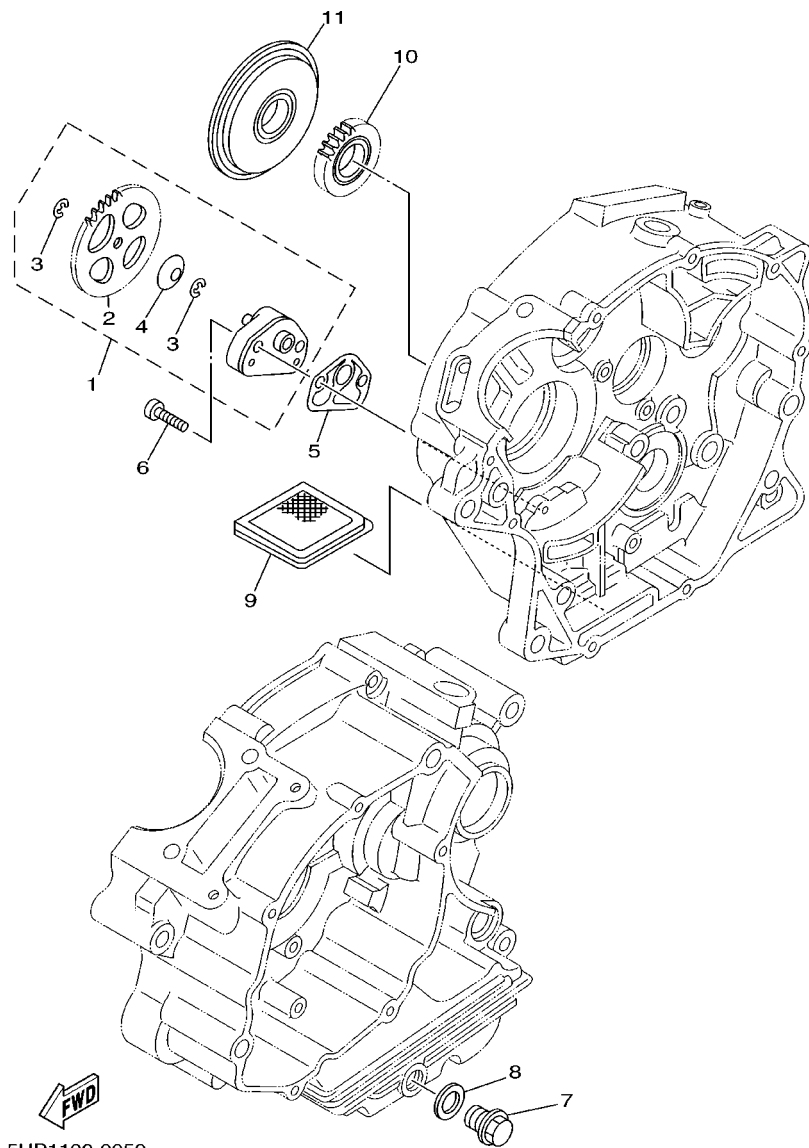
FIG. 4 CAMSHAFT. CHAIN



REF. NO.	PART NO.	DESCRIPTION	5HPB	5HPC	5HPD	5HPE	REMARKS
1	5HP-12170-00	CAMSHAFT ASSY 1	1	1	1	1	
2	4UL-1111F-00	PLATE	1	1	1	1	
3	90110-06226	BOLT, HEXAGON SOCKET HEAD	1	1	1	1	
4	5AP-12176-00	SPROCKET, CAM CHAIN	1	1	1	1	
5	90201-08326	WASHER, PLATE	1	1	1	1	
6	90101-08590	BOLT	1	1	1	1	
7	94581-94088	CHAIN	1	1	1	1	
8	5AP-12231-00	GUIDE, STOPPER 1	1	1	1	1	
9	5HP-12241-01	GUIDE, STOPPER 2	1	1	1	1	
10	5AP-15598-00	COLLAR	1	1	1	1	
11	90105-06557	BOLT, FLANGE	1	1	1	1	
12	4ST-12210-00	TENSIONER ASSY, CAM CHAIN	1	1	1	1	
13	4RF-12213-00	GASKET, TENSIONER CASE	1	1	1	1	
14	95027-06016	BOLT, FLANGE	2	2	2	2	
15	90430-06014	GASKET	2	2	2	2	



5HP1100-0040



5HP1100-0050

FIG. 5 OIL PUMP

REF. NO.	PART NO.	DESCRIPTION	5HPB	5HPC	5HPD	5HPE	REMARKS
1	5AP-13300-00	OIL PUMP ASSY	1	1	1	1	
2	4GL-13325-00	.GEAR, PUMP DRIVEN	1	1	1	1	
3	99001-05600	.CIRCLIP	2	2	2	2	
4	90208-07052	.WASHER, CONICAL SPRING	1	1	1	1	
5	22F-13329-01	GASKET, PUMP COVER	1	1	1	1	
6	90155-06009	SCREW, FLAT FILLISTER	2	2	2	2	
7	90340-12097	PLUG, STRAIGHT SCREW	1	1	1	1	
8	90430-12213	GASKET	1	1	1	1	
9	22F-13411-01	STRAINER, OIL	1	1	1	1	
10	5HH-13324-00	GEAR, PUMP DRIVE	1	1	1	1	
11	5AP-13451-00	FILTER, ROTARY	1	1	1	1	

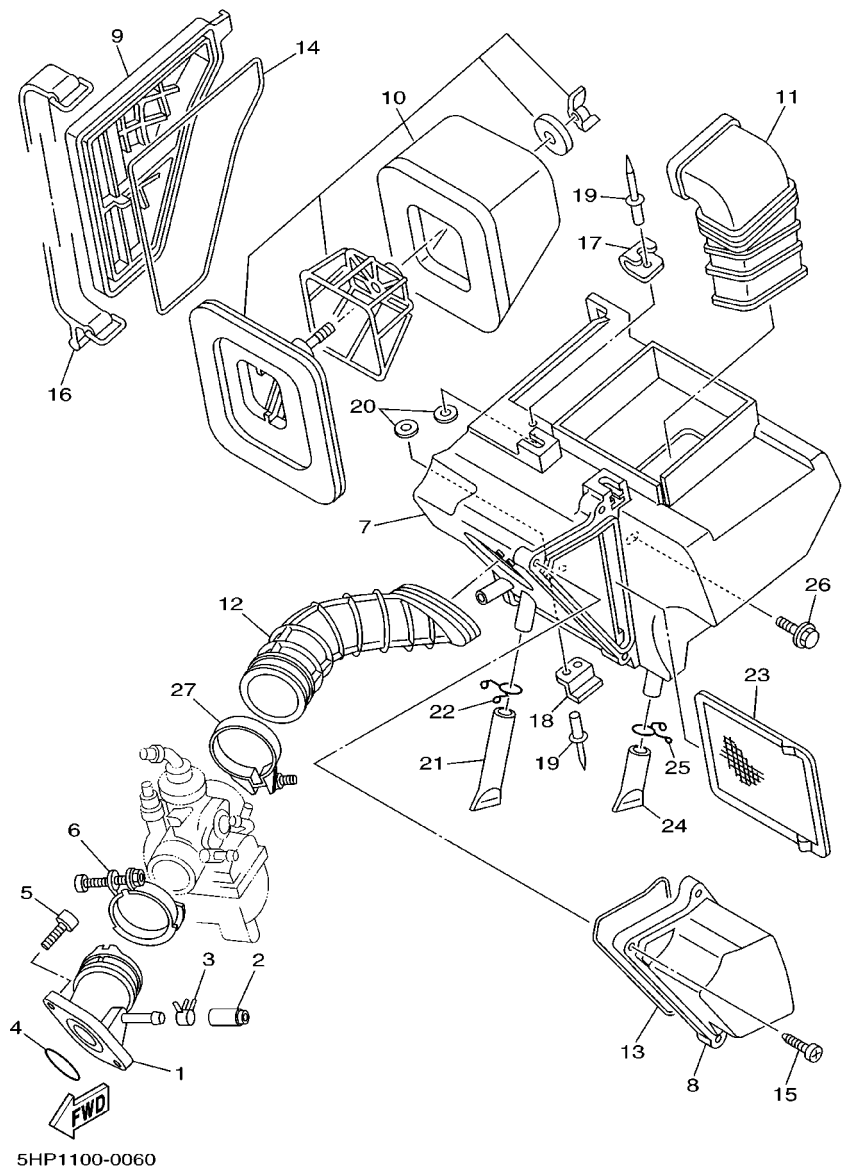
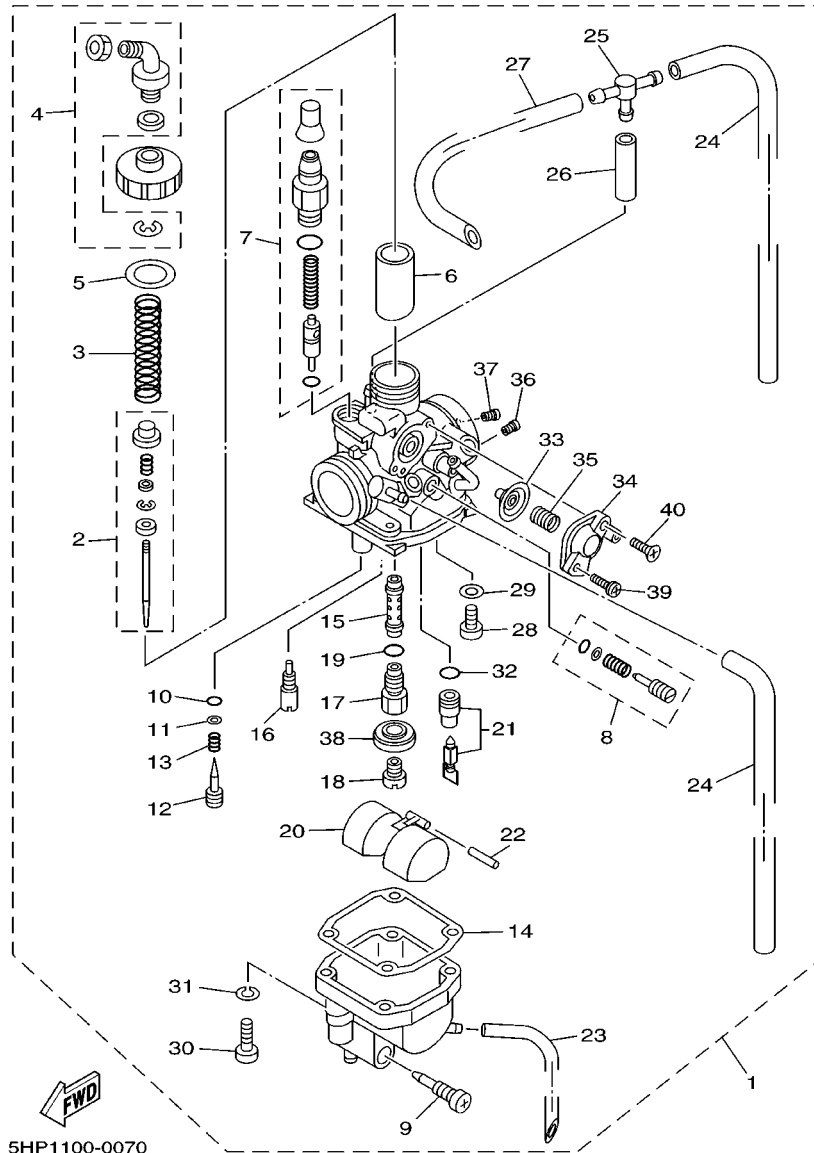


FIG. 6 INTAKE

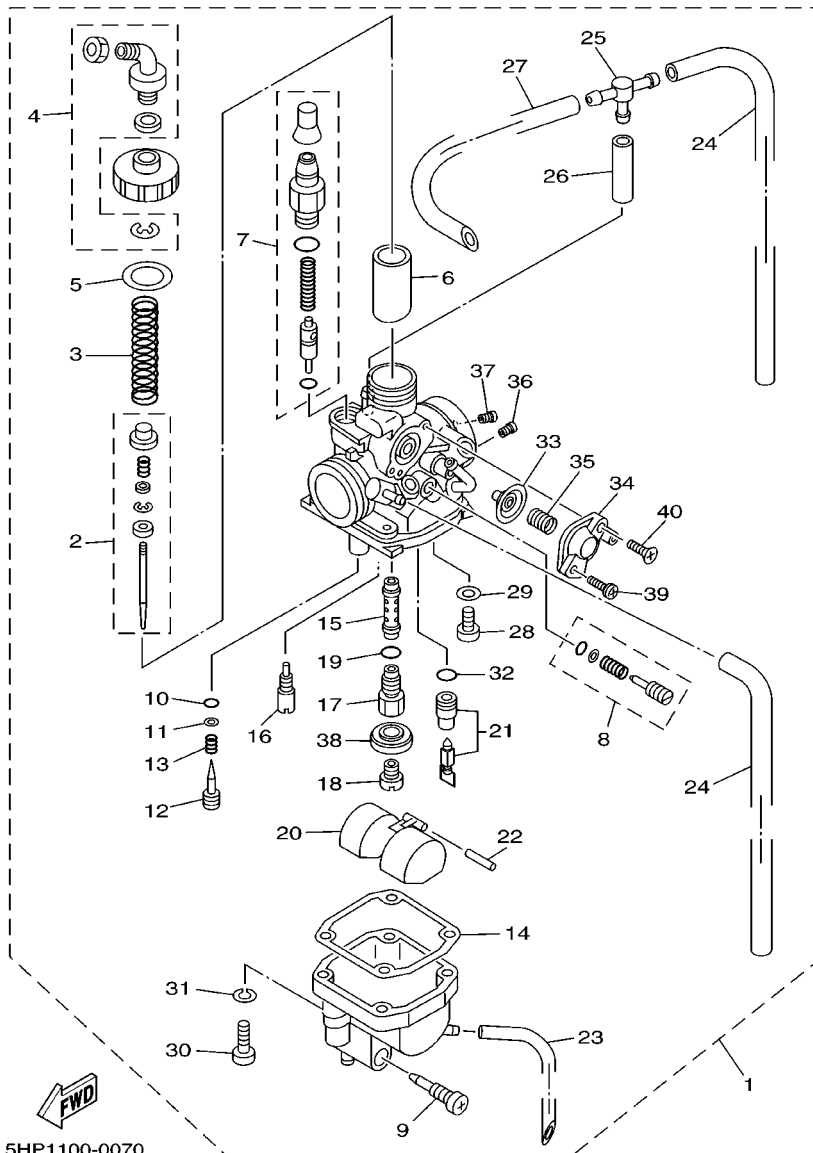
REF. NO.	PART NO.	DESCRIPTION	5HPB	5HPC	5HPD	5HPE	REMARKS
1	5HP-13586-00	JOINT, CARBURETOR 1	1	1	1	1	
2	16G-13569-00	PLUG, BLIND	1	1	1	1	
3	90467-10039	CLIP	1	1	1	1	
4	93210-30611	O-RING	1	1	1	1	
5	91317-06020	BOLT	2	2	2	2	
6	90450-44062	HOSE CLAMP ASSY	1	1	1	1	
7	5HP-14411-00	CASE, AIR CLEANER 1	1	1	1	1	
8	5HP-14412-00	CAP, CLEANER CASE 1	1	1	1	1	
9	5HP-14422-00	CAP, CLEANER CASE 2	1	1	1	1	
10	5HP-14450-00	ELEMENT ASSY, AIR CLEANER	1	1	1	1	
11	5HP-14437-00	DUCT	1	1	1	1	
12	5HP-14453-00	JOINT, AIR CLEANER 1	1	1	1	1	
13	50M-14452-00	SEAL	1	1	1	1	
14	3GM-14452-00	SEAL	1	1	1	1	
15	97707-50520	SCREW, TAPPING	3	3	3	3	
16	5HP-2811G-00	BAND	1	1	1	1	
17	34K-14484-00	PLATE, CLEANER CASE FITTING	1	1	1	1	
18	26A-14436-00	HOOK	1	1	1	1	
19	90267-40073	RIVET, BLIND	3	3	3	3	
20	92907-04200	WASHER	3	3	3	3	
21	3AJ-1443E-00	PIPE, DRAIN	1	1	1	1	
22	90467-15012	CLIP	1	1	1	1	
23	5HP-14472-00	PLATE, ELEMENT	1	1	1	1	
24	MS0-1443E-00	PIPE, DRAIN	1	1	1	1	
25	90467-14015	CLIP	1	1	1	1	
26	90119-06044	BOLT, WITH WASHER	3	3	3	3	
27	90460-46206	CLAMP, HOSE	1	1	1	1	

FIG. 7 CARBURETOR



5HP1100-0070

REF. NO.	PART NO.	DESCRIPTION	5HPB	5HPC	5HPD	5HPE	REMARKS
1	5HP-14101-10	CARBURETOR ASSY 1	1	1	1	1	
2	5HP-1490J-00	.NEEDLE SET	1	1	1	1	
3	4LS-14131-00	.SPRING, THROTTLE VALVE	1	1	1	1	
4	5DG-14106-00	.CABLE ADJUST SCREW SET	1	1	1	1	
5	4LS-14126-00	.GASKET	1	1	1	1	
6	5HH-14112-25	.VALVE, THROTTLE 1	1	1	1	1	
7	5HP-1410A-10	.STARTER SET	1	1	1	1	
8	5HH-14103-00	.THROTTLE SCREW SET	1	1	1	1	
9	4LS-14191-00	.PLUG, DRAIN	1	1	1	1	
10	3H1-14147-00	.O-RING	1	1	1	1	
11	3H1-14962-00	.WASHER	1	1	1	1	
12	4LS-14923-20	.SCREW, PILOT	1	1	1	1	
13	5K7-14134-00	.SPRING, AIR ADJUSTING	1	1	1	1	
14	24W-14184-00	.GASKET, FLOAT CHAMBER	1	1	1	1	
15	21V-1414M-26	.NOZZLE, MAIN	1	1	1	1	
16	5HP-14142-15	.JET, PILOT (# 15)	1	1	1	1	
17	5HP-14145-00	.SETTER, NEEDLE JET	1	1	1	1	
18	620-14231-21	.JET, MAIN (#105)	1	1	1	1	STD
	620-1423A-71	.JET, MAIN (#102.5)	1	1	1	1	AP
19	583-14561-00	.O-RING	1	1	1	1	
20	5HH-14185-00	.FLOAT	1	1	1	1	
21	5HP-14107-18	.NEEDLE VALVE SET	1	1	1	1	
22	127-14186-00	.PIN, FLOAT	1	1	1	1	
23	1A0-14196-00	.PIPE	1	1	1	1	
24	26H-14197-00	.PIPE	2	2	2	2	
25	66E-14251-00	.NIPPLE	1	1	1	1	
26	5HP-14348-00	.PIPE 1	1	1	1	1	

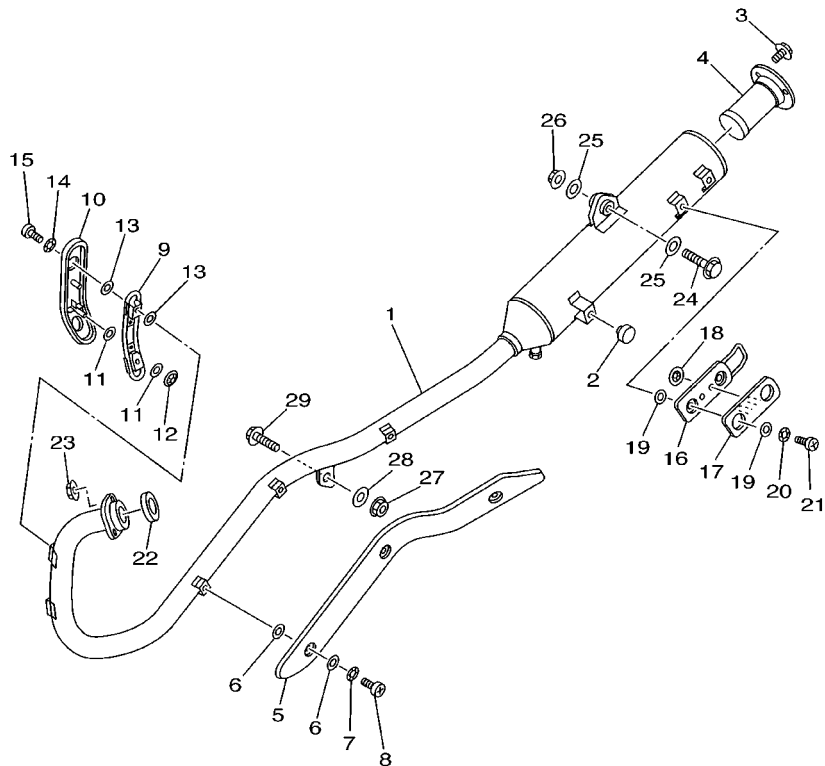


5HP1100-0070

FIG. 7 CARBURETOR

REF. NO.	PART NO.	DESCRIPTION	5HPB	5HPC	5HPD	5HPE	REMARKS
27	5CA-14197-00	.PIPE	1	1	1	1	
28	98507-03006	.SCREW, PAN HEAD	1	1	1	1	
29	92907-03100	.WASHER	1	1	1	1	
30	98507-04014	.SCREW, PAN HEAD	4	4	4	4	
31	92907-04100	.WASHER, SPRING	4	4	4	4	
32	4LS-14147-00	.O-RING	1	1	1	1	
33	5AP-14940-00	.DIAPHRAGM ASSY	1	1	1	1	
34	5HP-14280-00	.COVER, CARBURETOR	1	1	1	1	
35	5AP-14933-00	.SPRING, DIAPHRAGM	1	1	1	1	
36	1HX-14231-16	.JET, MAIN (# 80)	1	1	1	1	
37	1HX-14231-29	.JET, MAIN (#145)	1	1	1	1	
38	5V7-14153-00	.WASHER, MAIN JET	1	1	1	1	
39	5HP-14565-00	.SCREW	1	1	1	1	
40	5HP-14216-00	.SCREW	1	1	1	1	

FIG. 8 EXHAUST



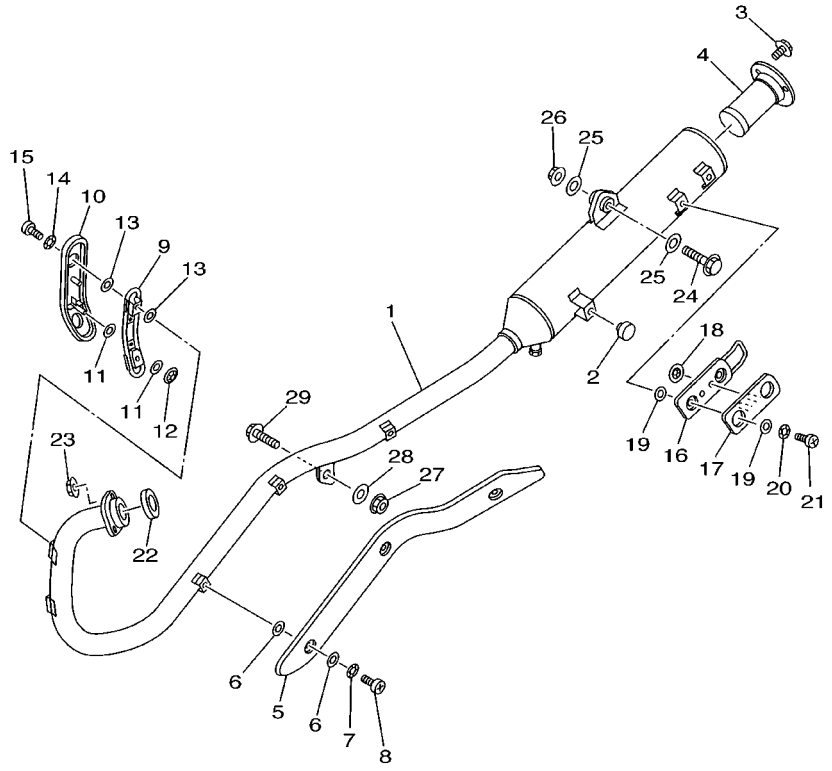
REF. NO.	PART NO.	DESCRIPTION	5HPB	5HPC	5HPD	5HPE	REMARKS
1	5HP-14711-10	MUFFLER 1	1	1	1	1	
2	22W-24181-00	DAMPER, LOCATING 1	1	1	1	1	
3	95027-06010	BOLT, FLANGE	3	3	3	3	
4	5HP-14780-00	SPARK ARRESTER ASSY	1	1	1	1	
5	5HP-14628-00	PROTECTOR, EXHAUST PIPE	1	1	1	1	
6	4BD-14766-00	WASHER, PROTECTOR	6	6	6	6	
7	90206-06090	WASHER, WAVE	3	3	3	3	
8	98980-06008	SCREW, BIND	3	3	3	3	
9	5HP-14628-10	PROTECTOR, EXHAUST PIPE	1	1	1	1	
10	5HP-1479H-00	COVER, 1	1	1	1	1	
11	4BD-14766-00	WASHER, PROTECTOR	4	4	4	4	
12	90183-04047	NUT, SPRING	2	2	2	2	
13	4BD-14766-00	WASHER, PROTECTOR	4	4	4	4	
14	90206-06090	WASHER, WAVE	2	2	2	2	
15	98980-06008	SCREW, BIND	2	2	2	2	
16	5HP-14758-00	PROTECTOR, SILENCER	1	1	1	1	
17	5HP-1479J-00	COVER 2	1	1	1	1	
18	90183-04047	NUT, SPRING	2	2	2	2	
19	4BD-14766-00	WASHER, PROTECTOR	4	4	4	4	
20	90206-06090	WASHER, WAVE	2	2	2	2	
21	98980-06008	SCREW, BIND	2	2	2	2	
22	4BR-14613-00	GASKET, EXHAUST PIPE	1	1	1	1	
23	95607-06200	NUT, SELF U-FLANGE	2	2	2	2	
24	95817-10040	BOLT, FLANGE	1	1	1	1	
25	90201-101J1	WASHER, PLATE	2	2	2	2	
26	90185-10002	NUT, SELF-LOCKING	1	1	1	1	
27	90179-08491	NUT	1	1	1	1	



5HP6100-1080

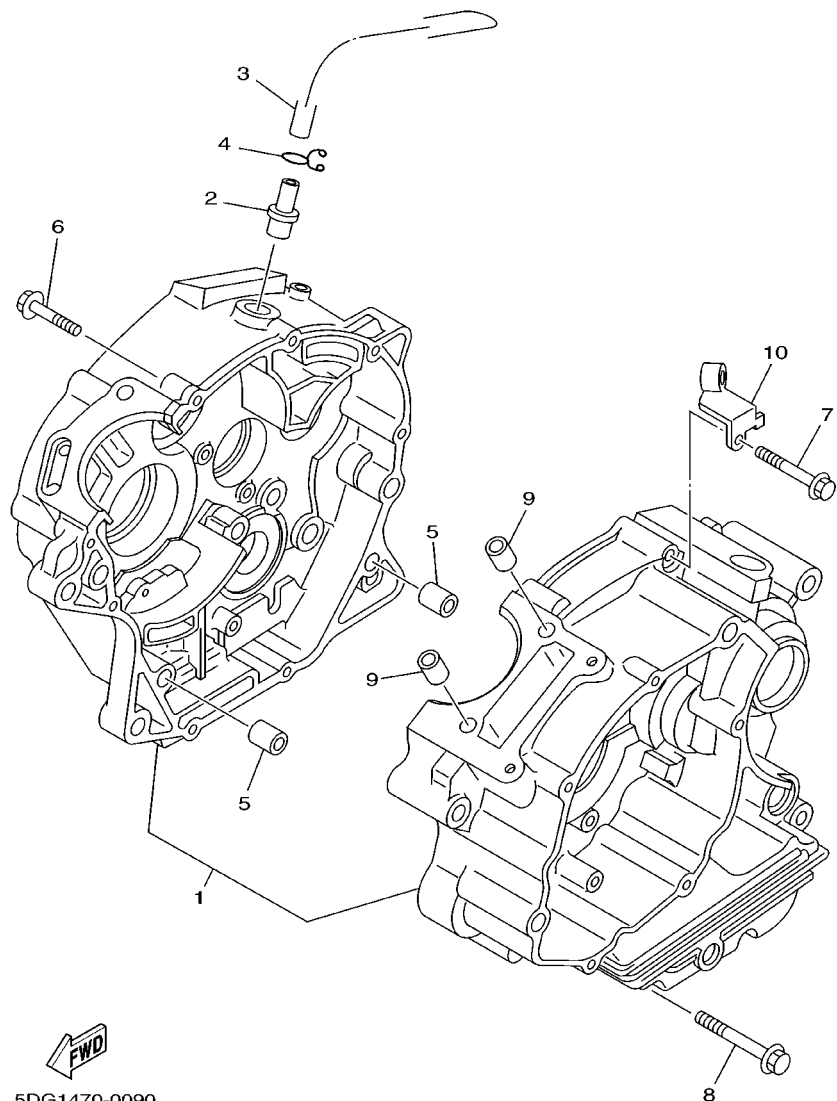
FIG. 8 EXHAUST

REF. NO.	PART NO.	DESCRIPTION	5HPB	5HPC	5HPD	5HPE	REMARKS
28	90201-087A9	WASHER, PLATE	1	1	1	1	
29	90105-081A7	BOLT, FLANGE	1	1	1	1	



5HP6100-1080

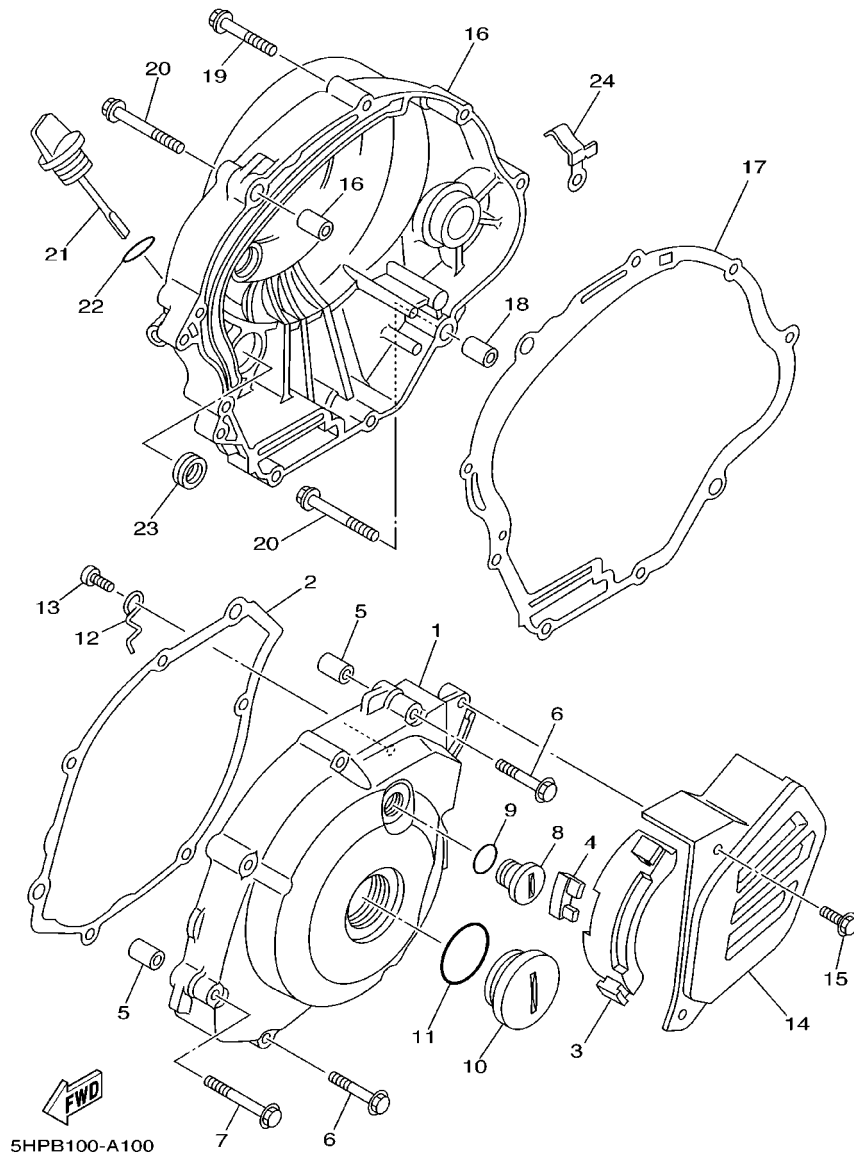
FIG. 9 CRANKCASE



REF. NO.	PART NO.	DESCRIPTION	5HPB	5HPC	5HPD	5HPE	REMARKS
1	5HP-15150-00	CRANKCASE ASSY	1	1	1	1	
2	59V-11167-00	PIPE, BREATHER 2	1	1	1	1	
3	5HP-11166-00	PIPE, BREATHER 1	1	1	1	1	
4	90467-13064	CLIP	1	1	1	1	
5	99530-10114	PIN, DOWEL	2	2	2	2	
6	95027-06030	BOLT, FLANGE	2	2	2	2	
7	90105-06015	BOLT, FLANGE	7	7	7	7	
8	95027-06055	BOLT, FLANGE	1	1	1	1	
9	99530-10114	PIN, DOWEL	2	2	2	2	
10	5HP-15441-00	HOLDER, CLUTCH CABLE	1	1	1	1	

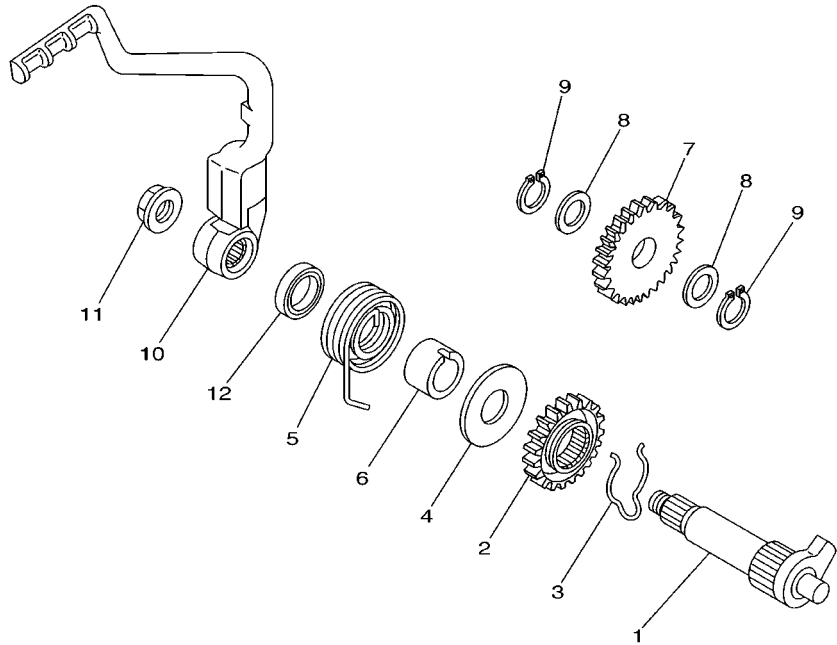
FWD
5DG1470-0090

FIG. 10 CRANKCASE COVER 1



REF. NO.	PART NO.	DESCRIPTION	5HPB	5HPC	5HPD	5HPE	REMARKS
1	5HP-15411-01	COVER, CRANKCASE 1	1	1	1	1	
2	5HP-15451-00	GASKET, CRANKCASE COVER 1	1	1	1	1	
3	5HP-15377-00	GUIDE, INLET	1	1	1	1	
4	5HP-15316-00	DAMPER, ENGINE MOUNT 1	1	1	1	1	
5	99530-10114	PIN, DOWEL	2	2	2	2	
6	95027-06035	BOLT, FLANGE	5	5	5	5	
7	95027-06045	BOLT, FLANGE	2	2	2	2	
8	90340-14068	PLUG, STRAIGHT SCREW	1	1	1	1	
9	93210-14369	O-RING	1	1	1	1	
10	90340-32069	PLUG, STRAIGHT SCREW	1	1	1	1	
11	93210-32172	O-RING	1	1	1	1	
12	5HP-15191-00	PLATE	1	1	1	1	
13	98507-06010	SCREW, PAN HEAD	1	1	1	1	
14	5HP-15418-00	COVER, CHAIN CASE	1	1	1	1	
15	95817-06016	BOLT, FLANGE	2	2	2	2	
16	5HH-15421-00	COVER, CRANKCASE 2	1	1	1	1	
17	5HP-15461-00	GASKET, CRANKCASE COVER 2	1	1	1	1	
18	99530-10114	PIN, DOWEL	2	2	2	2	
19	90105-06014	BOLT, FLANGE	7	7	7	7	
20	90105-06015	BOLT, FLANGE	2	2	2	2	
21	5HH-15362-00	PLUG, OIL LEVEL	1	1	1	1	
22	93210-19123	O-RING	1	1	1	1	
23	93101-10142	OIL SEAL	1	1	1	1	
24	90462-08005	CLAMP	1	1	1	1	

FIG. 11 STARTER

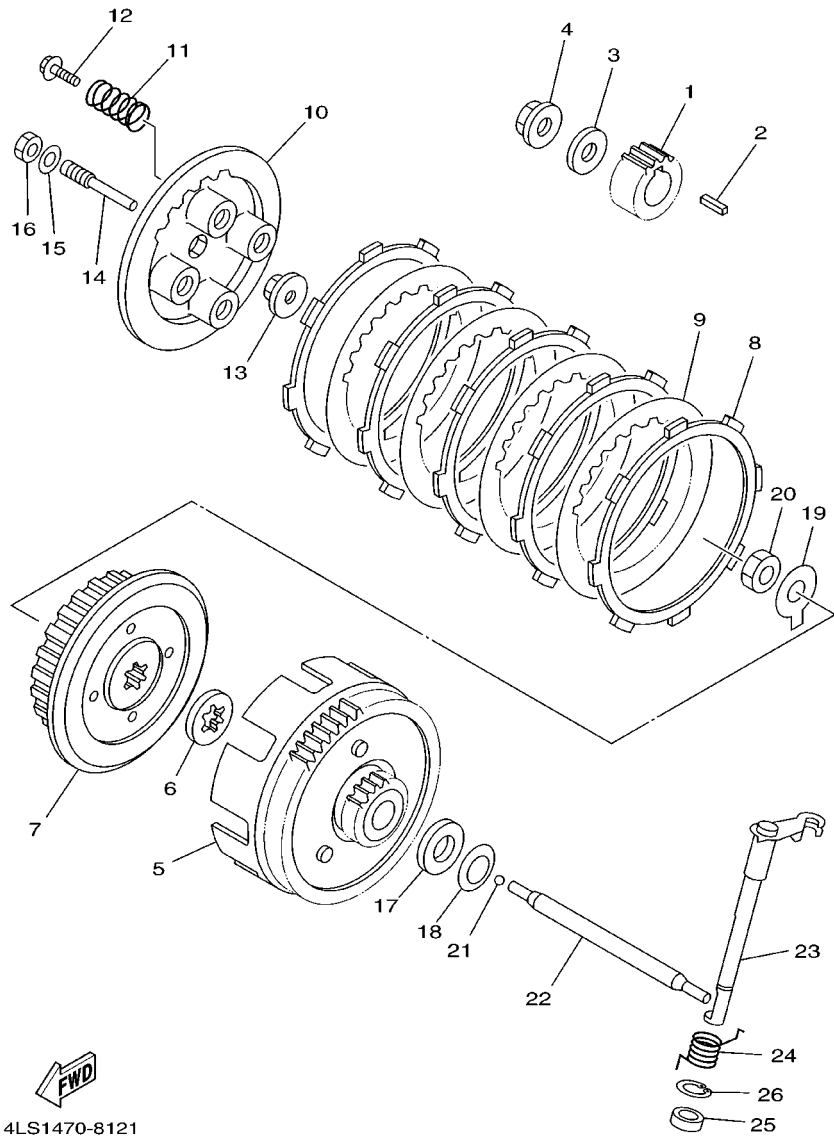


REF. NO.	PART NO.	DESCRIPTION	5HPB	5HPC	5HPD	5HPE	REMARKS
1	55K-15660-00	KICK AXLE ASSY	1	1	1	1	
2	10V-15641-00	GEAR, KICK (23T)	1	1	1	1	
3	90468-26048	CLIP	1	1	1	1	
4	90201-202F9	WASHER, PLATE	1	1	1	1	
5	90508-26667	SPRING, TORSION	1	1	1	1	
6	5HP-15664-00	GUIDE, SPRING	1	1	1	1	
7	5HP-15651-00	GEAR, KICK IDLE	1	1	1	1	
8	90201-152H7	WASHER, PLATE	2	2	2	2	
9	99009-15400	CIRCLIP	2	2	2	2	
10	5HP-15620-00	KICK CRANK ASSY	1	1	1	1	
11	90179-12659	NUT	1	1	1	1	
12	93109-20014	OIL SEAL	1	1	1	1	



5HP1100-0110

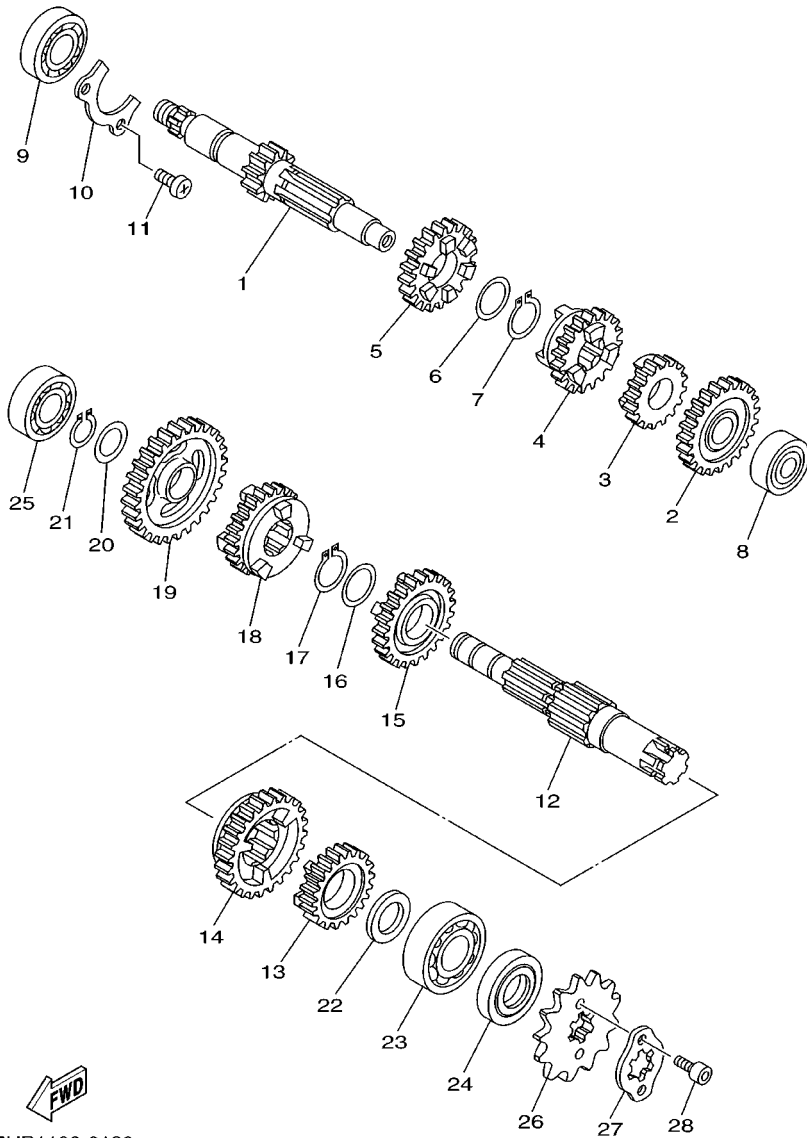
FIG. 12 CLUTCH



4LS1470-8121

REF. NO.	PART NO.	DESCRIPTION	5HPB	5HPC	5HPD	5HPE	REMARKS
1	401-16111-00	GEAR, PRIMARY DRIVE	1	1	1	1	
2	90282-05001	KEY, STRAIGHT (5MMX16MM)	1	1	1	1	
3	90201-122H1	WASHER, PLATE	1	1	1	1	
4	90179-12659	NUT	1	1	1	1	
5	5AP-16150-00	PRIMARY DRIVEN GEAR COMP.	1	1	1	1	
6	4V0-16154-00	PLATE, THRUST 1	1	1	1	1	
7	5AP-16371-00	BOSS, CLUTCH	1	1	1	1	
8	598-16321-01	PLATE, FRICTION	5	5	5	5	
9	1V1-16324-00	PLATE, CLUTCH 1	4	4	4	4	
10	5AP-16351-00	PLATE, PRESSURE 1	1	1	1	1	
11	90501-204A0	SPRING, COMPRESSION	4	4	4	4	
12	90119-05020	BOLT, WITH WASHER	4	4	4	4	
13	1W1-16358-01	PLATE, PUSH	1	1	1	1	
14	5AP-16356-00	ROD, PUSH 1	1	1	1	1	
15	92907-06200	WASHER	1	1	1	1	
16	95307-06600	NUT	1	1	1	1	
17	5AP-16164-00	PLATE, THRUST 2	1	1	1	1	
18	90208-17032	WASHER, CONICAL SPRING	1	1	1	1	
19	90215-12211	WASHER, LOCK	1	1	1	1	
20	90170-12060	NUT	1	1	1	1	
21	93503-16003	BALL	1	1	1	1	
22	5AP-16357-00	ROD, PUSH 2	1	1	1	1	
23	5HP-16381-00	PUSH LEVER COMP.	1	1	1	1	
24	90508-142A5	SPRING, TORSION	1	1	1	1	
25	93102-12224	OIL SEAL	1	1	1	1	
26	99009-20500	CIRCLIP	1	1	1	1	

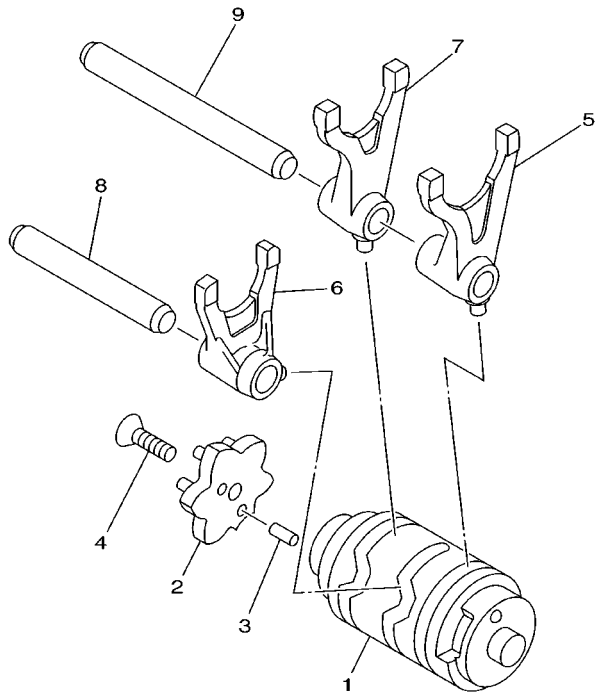
FIG. 13 TRANSMISSION



5HP1100-0130

REF. NO.	PART NO.	DESCRIPTION	5HPB	5HPC	5HPD	5HPE	REMARKS
1	5AP-17411-00	AXLE, MAIN	1	1	1	1	
2	5AP-17151-00	GEAR, 5TH PINION (24T)	1	1	1	1	
3	5AP-17121-00	GEAR, 2ND PINION (18T)	1	1	1	1	
4	5AP-17131-00	GEAR, 3RD PINION (19T)	1	1	1	1	
5	5AP-17141-00	GEAR, 4TH PINION (22T)	1	1	1	1	
6	90201-20266	WASHER, PLATE (1.0T)	1	1	1	1	
7	93410-20038	CIRCLIP	1	1	1	1	
8	93306-20121	BEARING	1	1	1	1	
9	93306-20301	BEARING	1	1	1	1	
10	5AP-17471-00	PLATE, COVER	1	1	1	1	
11	90157-06124	SCREW, PAN HEAD	2	2	2	2	
12	5AP-17402-00	DRIVE AXLE ASSY	1	1	1	1	
13	5AP-17251-00	GEAR, 5TH WHEEL (21T)	1	1	1	1	
14	5AP-17221-00	GEAR, 2ND WHEEL (32T)	1	1	1	1	
15	5AP-17231-00	GEAR, 3RD WHEEL (25T)	1	1	1	1	
16	90201-20266	WASHER, PLATE (1.0T)	1	1	1	1	
17	93410-20038	CIRCLIP	1	1	1	1	
18	5AP-17241-00	GEAR, 4TH WHEEL (23T)	1	1	1	1	
19	5AP-17211-00	GEAR, 1ST WHEEL (37T)	1	1	1	1	
20	90201-15700	WASHER, PLATE	1	1	1	1	
21	99009-15400	CIRCLIP	1	1	1	1	
22	90201-20272	WASHER, PLATE	1	1	1	1	
23	93306-20401	BEARING (B6204)	1	1	1	1	
24	93102-20143	OIL SEAL	1	1	1	1	
25	93306-20218	BEARING (6202A18DLA8NX5)	1	1	1	1	NSK
26	93822-13213	SPRÖCKET, DŘIVE (13T)	1	1	1	1	
27	5HP-17456-00	HOLDER, SPROCKET	1	1	1	1	

FIG. 14 SHIFT CAM. FORK

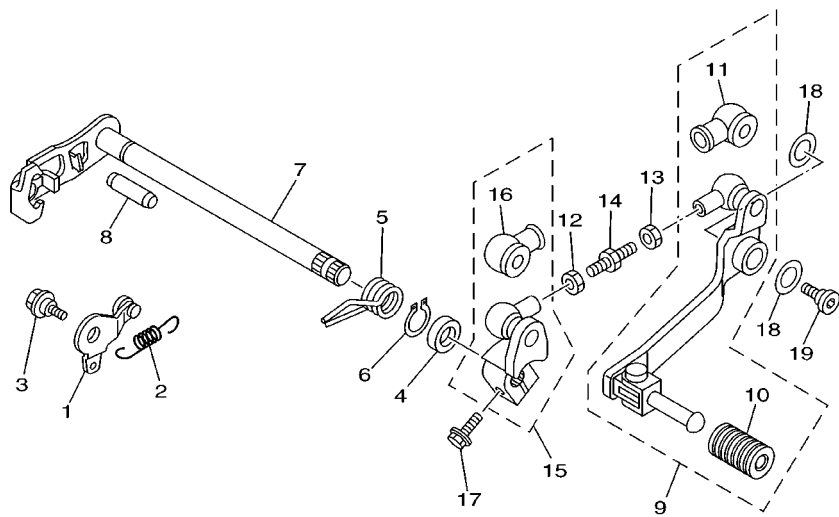


REF. NO.	PART NO.	DESCRIPTION	5HPB	5HPC	5HPD	5HPE	REMARKS
1	5AP-18540-00	SHIFT CAM ASSY	1	1	1	1	
2	5AP-18185-00	SEGMENT	1	1	1	1	
3	93604-10011	PIN, DOWEL	2	2	2	2	
4	90149-06286	SCREW	1	1	1	1	
5	5AP-18511-00	FORK, SHIFT 1	1	1	1	1	
6	5AP-18512-00	FORK, SHIFT 2	1	1	1	1	
7	5AP-18513-00	FORK, SHIFT 3	1	1	1	1	
8	2A6-18531-00	BAR, SHIFT FORK GUIDE 1	1	1	1	1	
9	2A6-18535-00	BAR, SHIFT FORK GUIDE 2	1	1	1	1	



5HP1100-0140

FIG. 15 SHIFT SHAFT

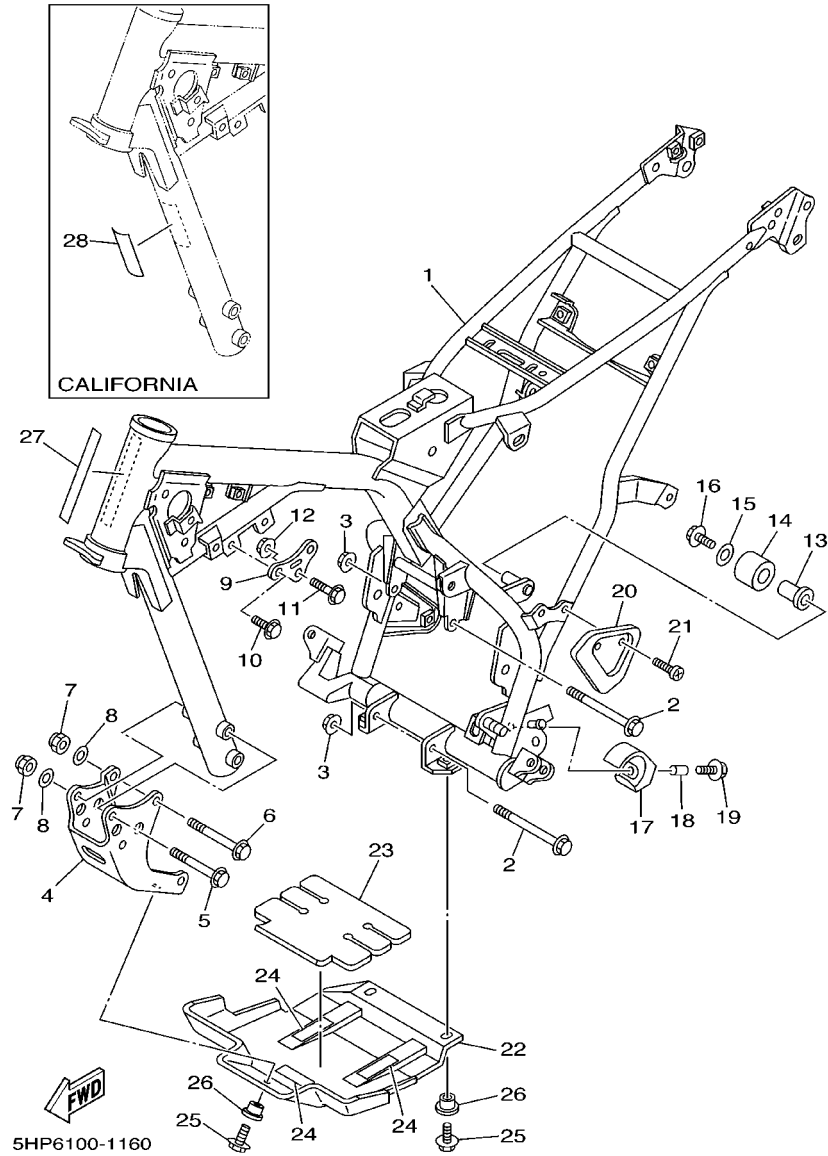


REF. NO.	PART NO.	DESCRIPTION	5HPB	5HPC	5HPD	5HPE	REMARKS
1	5AP-18140-00	STOPPER LEVER ASSY	1	1	1	1	
2	5AP-18337-00	SPRING	1	1	1	1	
3	90109-063F7	BOLT	1	1	1	1	
4	93101-12173	OIL SEAL	1	1	1	1	
5	90508-32642	SPRING, TORSION	1	1	1	1	
6	99001-10600	CIRCLIP	1	1	1	1	
7	5AP-18101-00	SHIFT SHAFT ASSY	1	1	1	1	
8	93608-30152	PIN, DOWEL	1	1	1	1	
9	5HP-18110-00	SHIFT PEDAL ASSY	1	1	1	1	
10	1W6-18113-00	.COVER, SHIFT PEDAL	1	1	1	1	
11	2H9-18154-00	.COVER, DUST	1	1	1	1	
12	95304-06700	NUT	1	1	1	1	
13	90170-06228	NUT(COUNTER CLOCKWISE)	1	1	1	1	
14	2KW-18115-00	ROD, SHIFT	1	1	1	1	
15	5HP-18112-00	ARM, SHIFT	1	1	1	1	
16	2H9-18154-00	.COVER, DUST	1	1	1	1	
17	95827-06020	BOLT, FLANGE	1	1	1	1	
18	90201-127J6	WASHER, PLATE	2	2	2	2	
19	90109-065F3	BOLT	1	1	1	1	



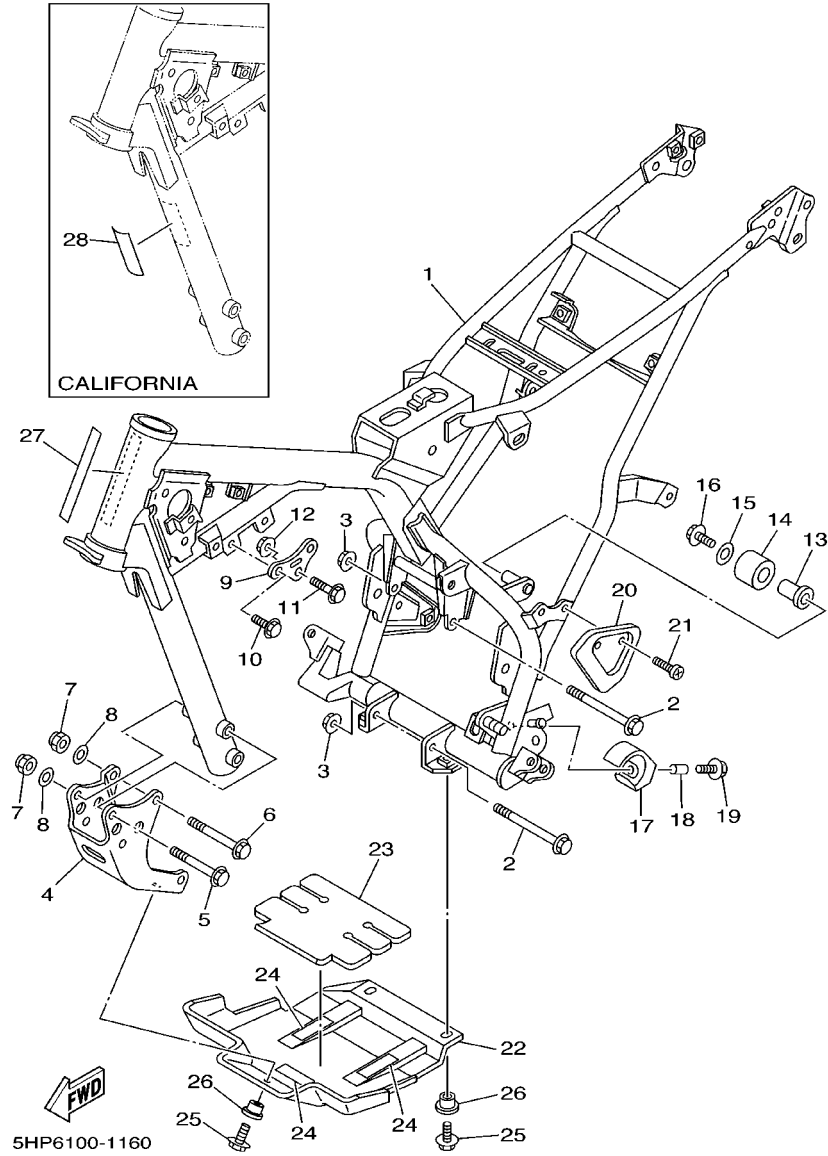
5HP1100-0150

FIG. 16 FRAME



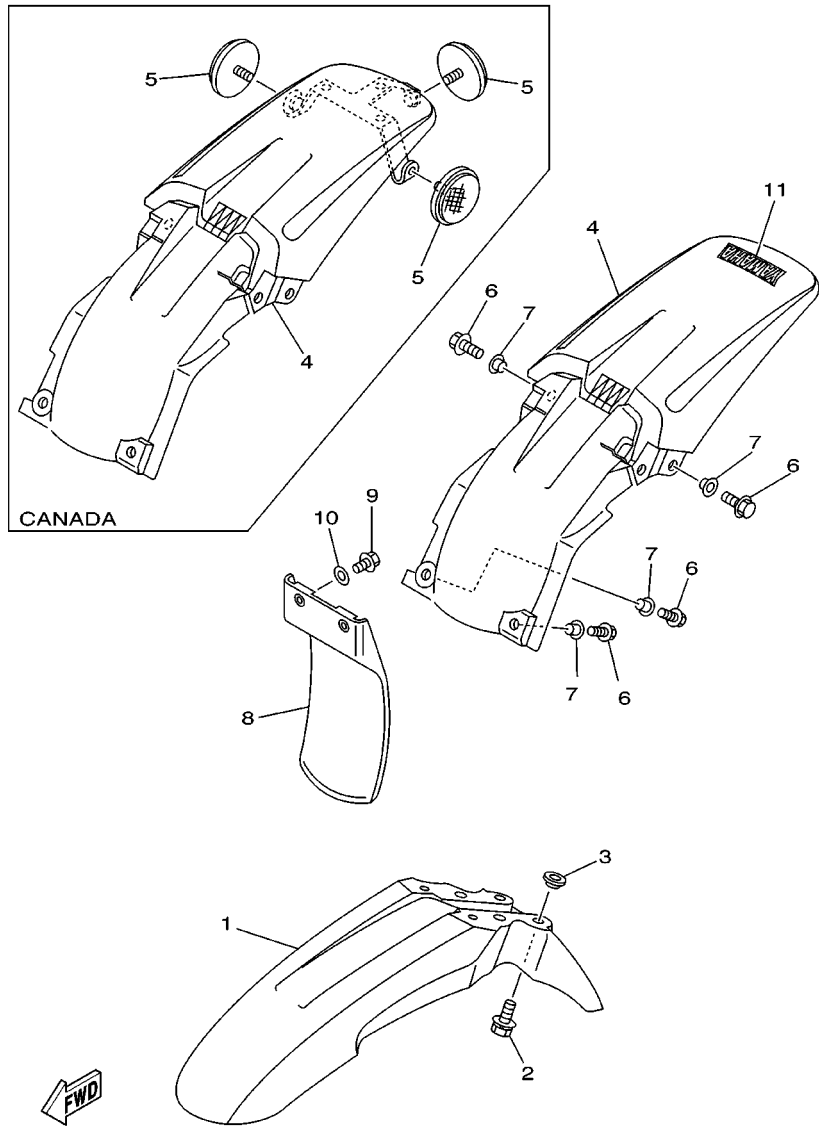
REF. NO.	PART NO.	DESCRIPTION	5HPB	5HPC	5HPD	5HPE	REMARKS
1	5HP-21110-01	FRAME COMP.	1	1	1	1	
2	90105-08007	BOLT, FLANGE	2	2	2	2	
3	90185-08169	NUT, SELF-LOCKING	2	2	2	2	
4	5HP-21316-00	STAY, ENGINE 3	1	1	1	1	
5	90105-084A1	BOLT, FLANGE	2	2	2	2	
6	90105-08011	BOLT, FLANGE	2	2	2	2	
7	95617-08100	NUT, U	4	4	4	4	
8	90201-086P8	WASHER, PLATE	4	4	4	4	
9	5HP-21315-00	STAY, ENGINE 2	1	1	1	1	
10	90105-082A0	BOLT, FLANGE	2	2	2	2	
11	90105-08002	BOLT, FLANGE	1	1	1	1	
12	90185-08169	NUT, SELF-LOCKING	1	1	1	1	
13	10V-22184-00	BUSH	1	1	1	1	
14	30X-22178-00	TENSIONER	1	1	1	1	
15	90201-08753	WASHER, PLATE	1	1	1	1	
16	95027-08012	BOLT, FLANGE	1	1	1	1	
17	4ES-22178-00	TENSIONER	1	1	1	1	
18	90387-060A3	COLLAR	1	1	1	1	
19	90119-06118	BOLT, WITH WASHER	1	1	1	1	
20	5HP-2117F-00	COVER	1	1	1	1	
21	98904-06010	SCREW, BIND	2	2	2	2	
22	5HP-21471-00	PROTECTOR, ENGINE	1	1	1	1	
23	5HP-21485-00	DAMPER, RUBBER 1	1	1	1	1	
24	5HP-21268-00	SEAL	3	3	3	3	
25	95807-06016	BOLT, FLANGE	3	3	3	3	
26	90387-06681	COLLAR	3	3	3	3	
27	5HP-2179X-00	PLATE, EPA (U50)	1				

FIG. 16 FRAME



REF. NO.	PART NO.	DESCRIPTION	5HPB	5HPC	5HPD	5HPE	REMARKS
28	5HP-2179T-20	PLATE, EPA 3(CALIFORNIA)	1		1		

FIG. 17 FENDER



5HP1100-0170

REF. NO.	PART NO.	DESCRIPTION	5HPB	5HPC	5HPD	5HPE	REMARKS
1	5HP-21511-00	FENDER, FRONT	1	1	1	1	
2	90119-06063	BOLT, WITH WASHER	4	4	4	4	
3	90209-06187	WASHER	4	4	4	4	
4	4ES-21611-10	FENDER, REAR	1		1		
	5HP-21610-00	REAR FENDER COMP.		1		1	
5	449-85131-02	REFLECTOR, REAR 1		3		3	
6	90105-06690	BOLT, FLANGE	4	4	4	4	
7	90387-064X4	COLLAR	4	4	4	4	
8	4ES-21642-00	GUARD, FLAP	1	1	1	1	
9	90105-06690	BOLT, FLANGE	2	2	2	2	
10	90201-064H0	WASHER, PLATE	2	2	2	2	
11	99241-00080	EMBLEM, YAMAHA	1		1		

FIG. 18 SIDE COVER

REF. NO.	PART NO.	DESCRIPTION	5HPB	5HPC	5HPD	5HPE	REMARKS
1	5HP-21711-00	COVER, SIDE 1	1	1	1	1	
2	90480-01558	GROMMET	1	1	1	1	
3	90119-06018	BOLT, WITH WASHER	1	1	1	1	
4	5HP-21721-00	COVER, SIDE 2	1	1	1	1	
5	90480-01558	GROMMET	1	1	1	1	
6	90480-13398	GROMMET	1	1	1	1	
7	3FV-28386-00	HEAD	1	1	1	1	
8	2TK-21757-00	WASHER, SPECIAL 1	2	2	2	2	
9	4XV-2177L-00	PLATE, SPRING	1	1	1	1	
10	5HP-21781-20	EMBLEM 1	1	1			
	5HP-21781-30	EMBLEM 1			1	1	
11	5HP-21781-20	EMBLEM 1	1	1			
	5HP-21781-30	EMBLEM 1			1	1	

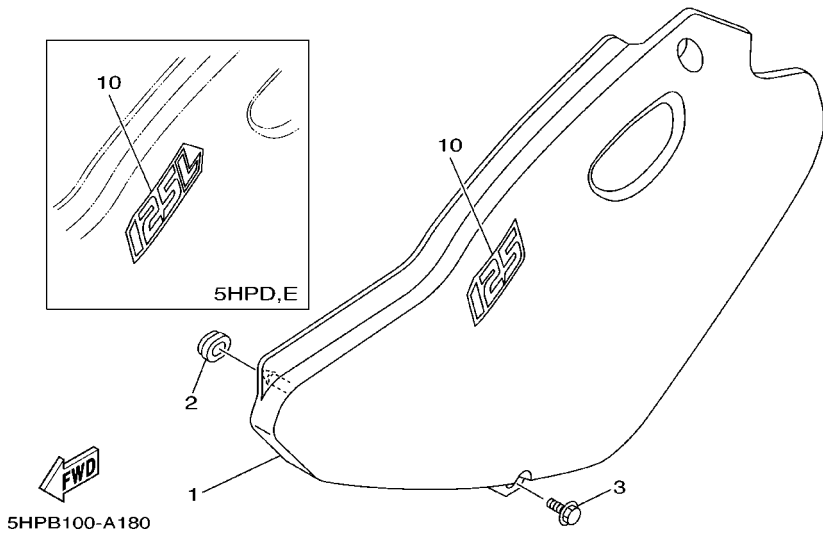
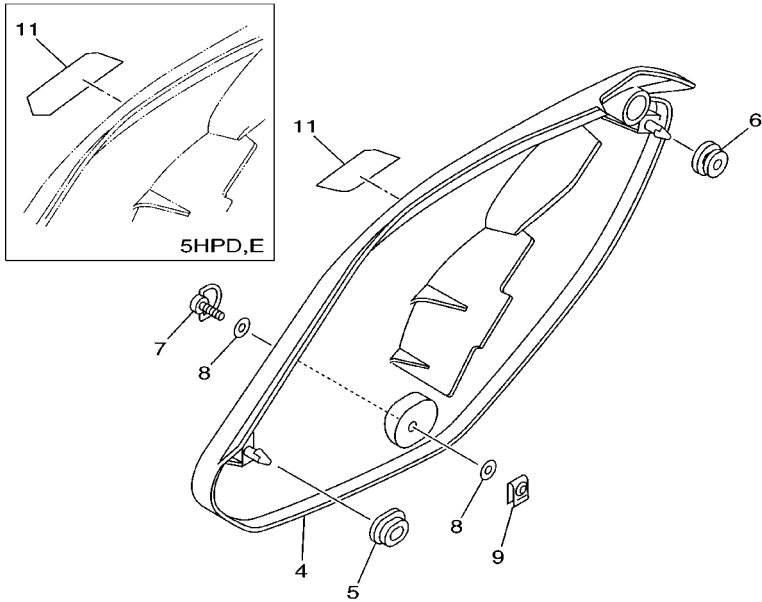
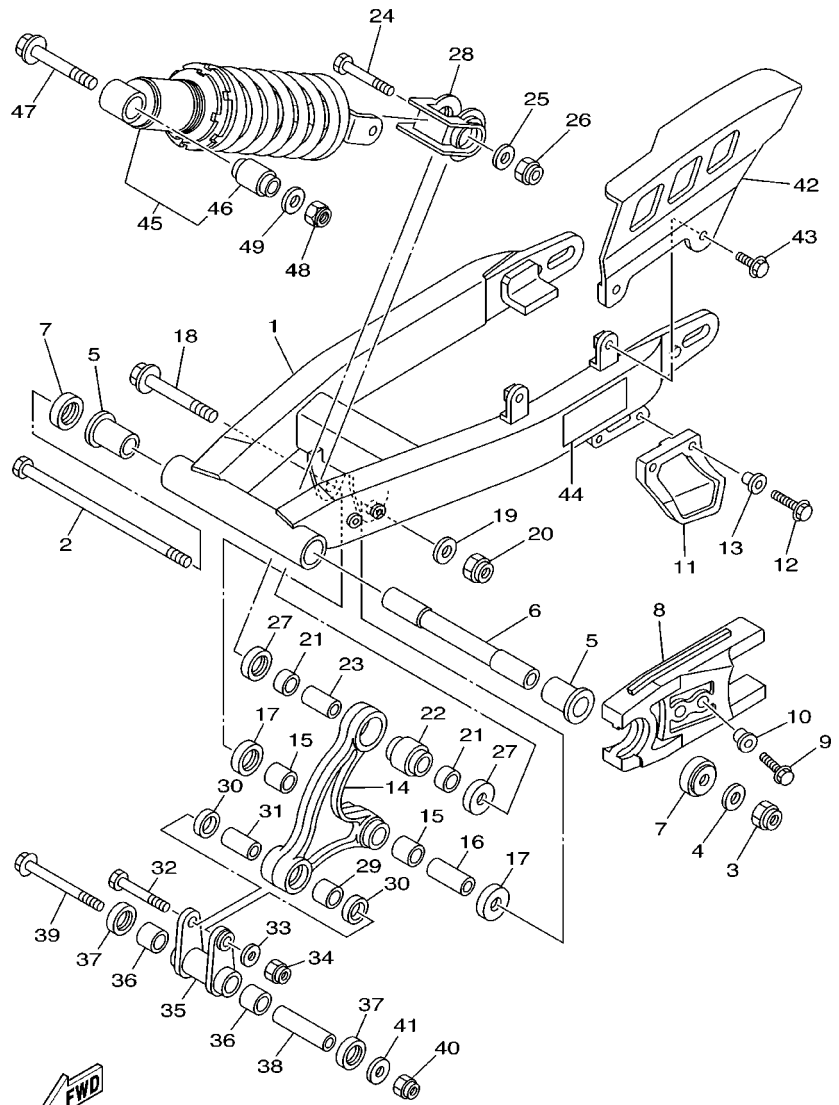


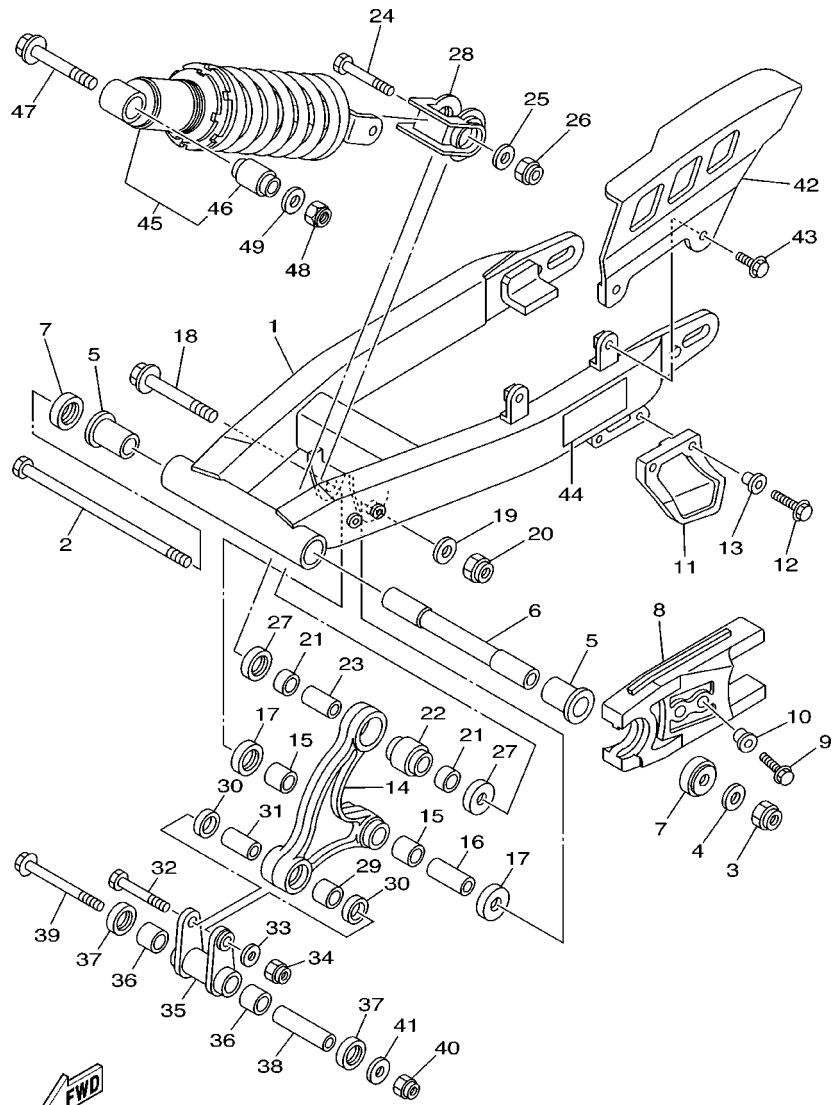
FIG. 19 REAR ARM. SUSPENSION



5HP4100-0190

REF. NO.	PART NO.	DESCRIPTION	5HPB	5HPC	5HPD	5HPE	REMARKS
1	5HP-22110-00	REAR ARM COMP.	1	1			
	5HP-22110-10	REAR ARM COMP.			1	1	
2	2N4-22141-00	SHAFT, PIVOT	1	1	1	1	
3	95617-12100	NUT, U	1	1	1	1	
4	90201-124G9	WASHER, PLATE	1	1	1	1	
5	90386-18099	BUSH	2	2	2	2	
6	90389-12002	BUSH	1	1	1	1	
7	401-22128-01	SEAL, GUARD	2	2	2	2	
8	5HP-22151-00	SEAL, GUARD	1	1	1	1	
9	95807-06020	BOLT, FLANGE	2	2	2	2	
10	90387-062X0	COLLAR	2	2	2	2	
11	38V-22199-00	SUPPORT, CHAIN	1	1	1	1	
12	95807-06016	BOLT, FLANGE	2	2	2	2	
13	90387-06737	COLLAR	2	2	2	2	
14	39K-2217A-00	ARM, RELAY	1	1	1	1	
15	90384-18190	BUSH, BIMETAL FORMED	2	2	2	2	
16	2J5-22124-00	BUSH 2	1	1	1	1	
17	5X6-22129-00	COVER, THRUST 2	2	2	2	2	
18	90105-12660	BOLT, FLANGE	1	1	1	1	
19	90201-124G9	WASHER, PLATE	1	1	1	1	
20	95617-12100	NUT, U	1	1	1	1	
21	90380-16109	BUSH, SOLID	2	2	2	2	
22	22W-22124-00	BUSH 2	1	1	1	1	
23	90387-106G0	COLLAR	1	1	1	1	
24	90109-10689	BOLT	1	1	1	1	
25	90201-10430	WASHER, PLATE	1	1	1	1	
26	90185-10120	NUT, SELF-LOCKING	1	1	1	1	

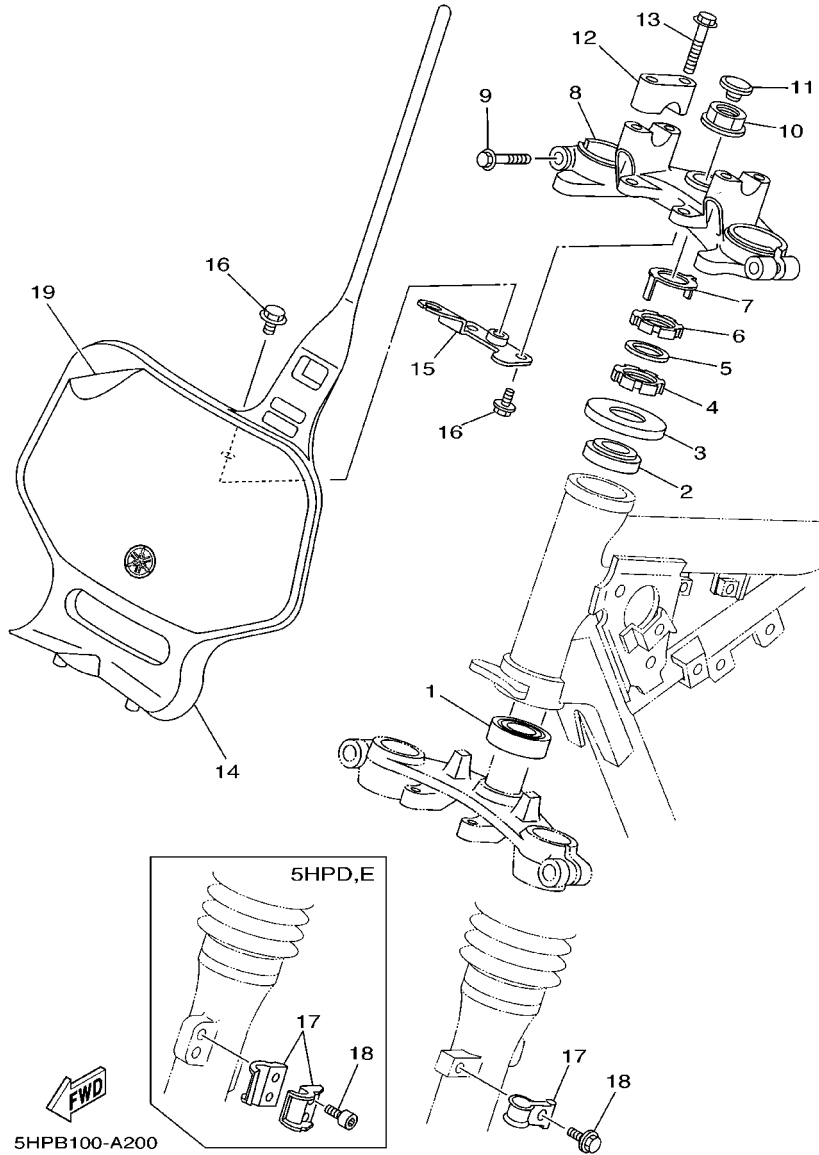
FIG. 19 REAR ARM. SUSPENSION



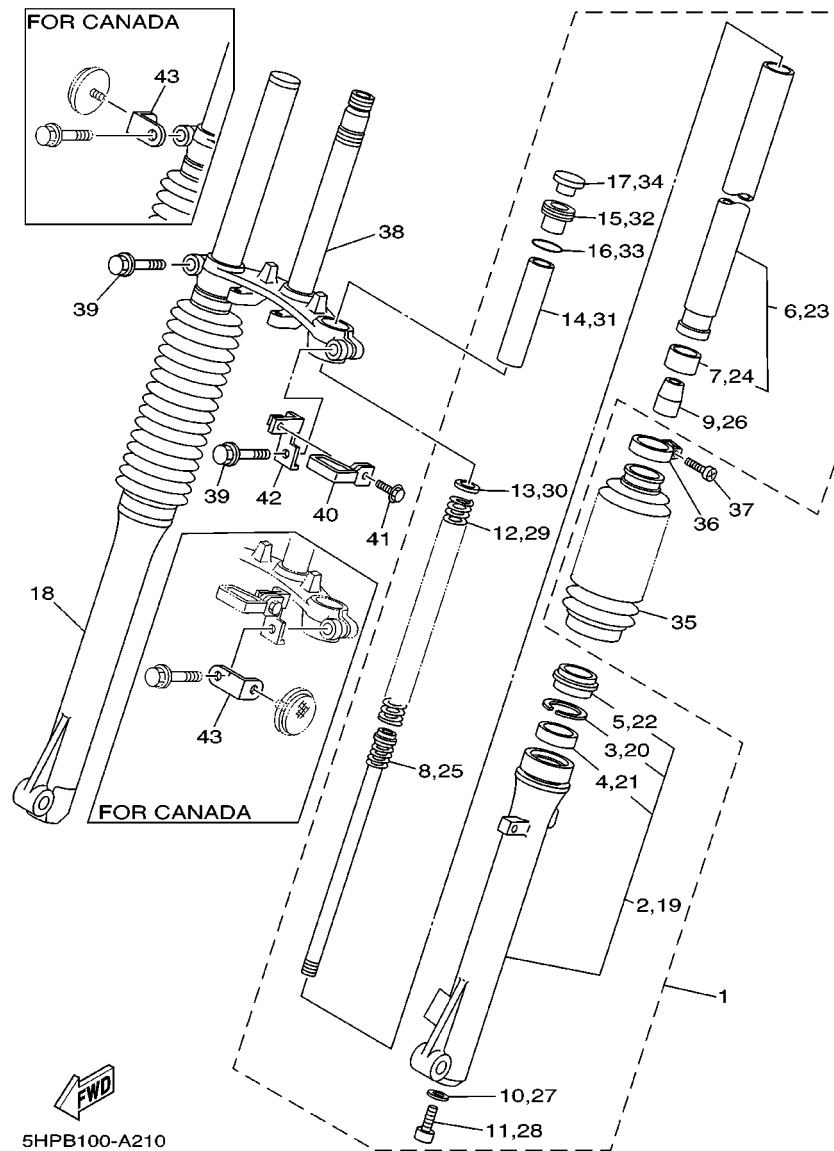
5HP4100-0190

REF. NO.	PART NO.	DESCRIPTION	5HPB	5HPC	5HPD	5HPE	REMARKS
27	22W-22129-00	COVER, THRUST 2	2	2	2	2	
28	22W-22189-00	BOOT, RUBBER	1	1	1	1	
29	90383-16023	BUSH, FORMED	1	1	1	1	
30	93109-16035	OIL SEAL	2	2	2	2	
31	90387-106G0	COLLAR	1	1	1	1	
32	90109-10689	BOLT	1	1	1	1	
33	90201-10430	WASHER, PLATE	1	1	1	1	
34	90185-10120	NUT, SELF-LOCKING	1	1	1	1	
35	22W-2217F-00	ROD, CONNECTING 1	1	1	1	1	
36	90383-16023	BUSH, FORMED	2	2	2	2	
37	22W-22129-00	COVER, THRUST 2	2	2	2	2	
38	90387-105G9	COLLAR	1	1	1	1	
39	90105-10392	BOLT, FLANGE	1	1	1	1	
40	90185-10120	NUT, SELF-LOCKING	1	1	1	1	
41	90201-10430	WASHER, PLATE	1	1	1	1	
42	5HP-22311-00	CASE, CHAIN	1	1	1	1	
43	90119-06205	BOLT, WITH WASHER	2	2	2	2	
44	3XJ-21668-10	LABEL, TIRE	1		1		FOR JAPAN
45	5HP-22210-00	SHOCK ABSORBER ASSY, REAR	1				FOR USA
	5HP-22210-30	SHOCK ABSORBER ASSY, REAR	1				EXCEPT FOR USA
	5HP-22210-40	SHOCK ABSORBER ASSY, REAR	1				FOR JAPAN
	5HP-22210-20	SHOCK ABSORBER ASSY, REAR		1			
	5HP-22210-50	SHOCK ABSORBER ASSY, REAR			1		FOR USA
	5HP-22210-70	SHOCK ABSORBER ASSY, REAR			1		EXCEPT FOR USA
	5HP-22210-80	SHOCK ABSORBER ASSY, REAR			1		FOR JAPAN
	5HP-22210-60	SHOCK ABSORBER ASSY, REAR				1	
46	2YK-22216-00	BUSH, REAR SHOCK ABSORBER	1	1	1	1	

FIG. 20 STEERING



REF. NO.	PART NO.	DESCRIPTION	5HPB	5HPC	5HPD	5HPE	REMARKS
1	93332-00079	BEARING	1	1	1	1	
2	93399-99949	BEARING	1	1	1	1	
3	5HP-23416-00	COVER, BALL RACE 2	1	1	1	1	
4	90179-25033	NUT	1	1	1	1	
5	90202-26142	WASHER, PLATE	1	1	1	1	
6	90179-25615	NUT	1	1	1	1	
7	3YF-23418-00	WASHER, SPECIAL	1	1	1	1	
8	5HP-23435-00	CROWN, HANDLE	1	1	1	1	
9	95024-08035	BOLT, FLANGE	2	2	2	2	
10	90179-22412	NUT	1	1	1	1	
11	5HP-2319U-00	CAP	1	1	1	1	
12	1E6-23441-10-35	HOLDER, HANDLE UPPER	2	2	2	2	SL
13	95024-08035	BOLT, FLANGE	4	4	4	4	
14	4ES-23485-20	PLATE, NUMBER	1	1	1	1	
15	5HP-23486-00	STAY, PLATE	1	1	1	1	
16	95827-06012	BOLT, FLANGE	3	3	3	3	
17	3Y1-23319-00	HOLDER, CABLE 2	1	1			
	90465-14242	CLAMP			2	2	
18	95807-06012	BOLT, FLANGE	1	1			
	91317-06016	BOLT			2	2	
19	5HP-2339E-10	GRAPHIC 1	1	1	1	1	



5HPB100-A210

FIG. 21 FRONT FORK

REF. NO.	PART NO.	DESCRIPTION	5HPB	5HPC	5HPD	5HPE	REMARKS
1	5HP-23102-00	FRONT FORK ASSY (L.H)	1	1			
2	5HP-23106-00	.OUTER TUBE COMP. (L.H)	1	1			
3	3V3-23156-00	..CLIP, OIL SEAL	1	1			
4	33J-23145-00	..OIL SEAL	1	1			
5	33J-23144-00	..SEAL, DUST	1	1			
6	5HP-23110-00	.INNER TUBE COMP.1	1	1			
7	17W-23171-00	..PISTON, FRONT FORK	1	1			
8	5HP-23170-00	.CYLINDER COMP., FRONT FORK	1	1			
9	2K5-23173-00	.SPINDLE, TAPER	1	1			
10	509-23158-L0	.GASKET	1	1			
11	278-23181-50	.BOLT, HEXAGON SOCKET HEAD	1	1			
12	5HP-23141-00	.SPRING, FRONT FORK	1	1			
13	5J0-23146-00	.WASHER, OIL SEAL	1	1			
14	17W-23118-00	.SPACER	1	1			
15	1X0-23111-00	.BOLT, CAP	1	1			
16	146-23114-00	.O-RING	1	1			
17	1X0-23168-00	.CAP, FRONT FORK	1	1			
18	5HP-23103-00	FRONT FORK ASSY (R.H)	1	1			
19	5HP-23107-00	.OUTER TUBE COMP. (R.H)	1	1			
20	3V3-23156-00	..CLIP, OIL SEAL	1	1			
21	33J-23145-00	..OIL SEAL	1	1			
22	33J-23144-00	..SEAL, DUST	1	1			
23	5HP-23110-00	.INNER TUBE COMP.1	1	1			
24	17W-23171-00	..PISTON, FRONT FORK	1	1			
25	5HP-23170-00	.CYLINDER COMP., FRONT FORK	1	1			
26	2K5-23173-00	.SPINDLE, TAPER	1	1			
27	509-23158-L0	.GASKET	1	1			

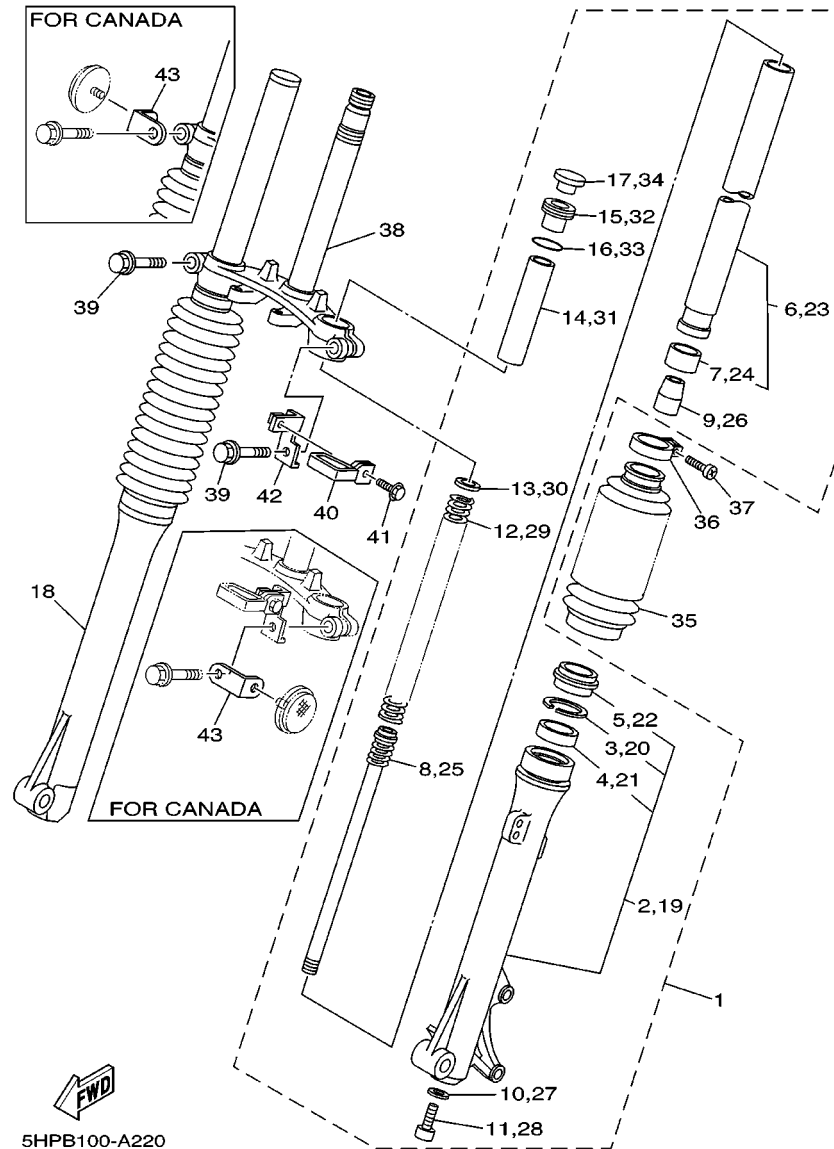


FIG. 22 FRONT FORK 2

REF. NO.	PART NO.	DESCRIPTION	5HPB	5HPC	5HPD	5HPE	REMARKS
1	5HP-23102-10	FRONT FORK ASSY (L.H)			1	1	
2	5HP-23106-10	..OUTER TUBE COMP. (L.H)			1	1	
3	3V3-23156-00	..CLIP, OIL SEAL			1	1	
4	33J-23145-00	..OIL SEAL			1	1	
5	33J-23144-00	..SEAL, DUST			1	1	
6	5HP-23110-00	..INNER TUBE COMP.1			1	1	
7	17W-23171-00	..PISTON, FRONT FORK			1	1	
8	5HP-23170-10	..CYLINDER COMP., FRONT FORK			1	1	
9	2K5-23173-00	..SPINDLE, TAPER			1	1	
10	509-23158-L0	..GASKET			1	1	
11	278-23181-50	..BOLT, HEXAGON SOCKET HEAD			1	1	
12	5HP-23141-10	..SPRING, FRONT FORK			1	1	
13	5J0-23146-00	..WASHER, OIL SEAL			1	1	
14	5HP-23118-10	..SPACER			1	1	
15	1X0-23111-00	..BOLT, CAP			1	1	
16	146-23114-00	..O-RING			1	1	
17	1X0-23168-00	..CAP, FRONT FORK			1	1	
18	5HP-23103-10	FRONT FORK ASSY (R.H)			1	1	
19	5HP-23107-10	..OUTER TUBE COMP. (R.H)			1	1	
20	3V3-23156-00	..CLIP, OIL SEAL			1	1	
21	33J-23145-00	..OIL SEAL			1	1	
22	33J-23144-00	..SEAL, DUST			1	1	
23	5HP-23110-00	..INNER TUBE COMP.1			1	1	
24	17W-23171-00	..PISTON, FRONT FORK			1	1	
25	5HP-23170-10	..CYLINDER COMP., FRONT FORK			1	1	
26	2K5-23173-00	..SPINDLE, TAPER			1	1	
27	509-23158-L0	..GASKET			1	1	

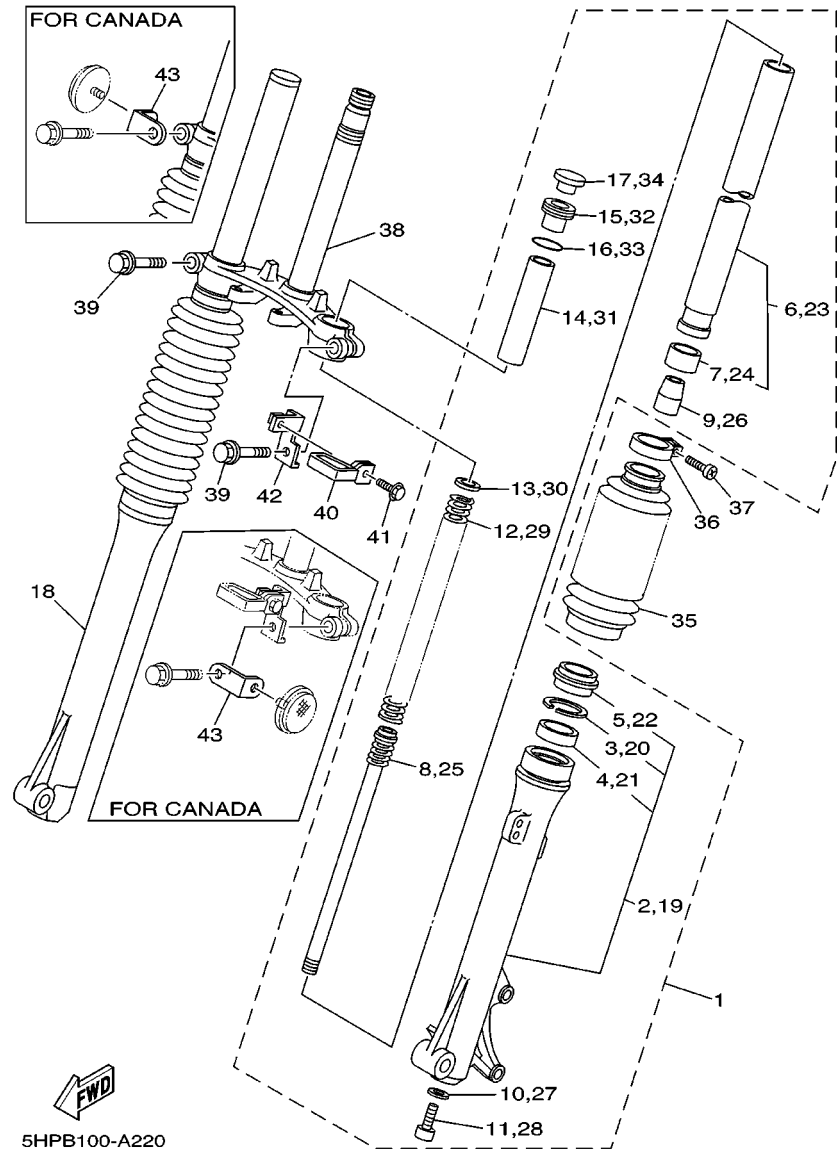
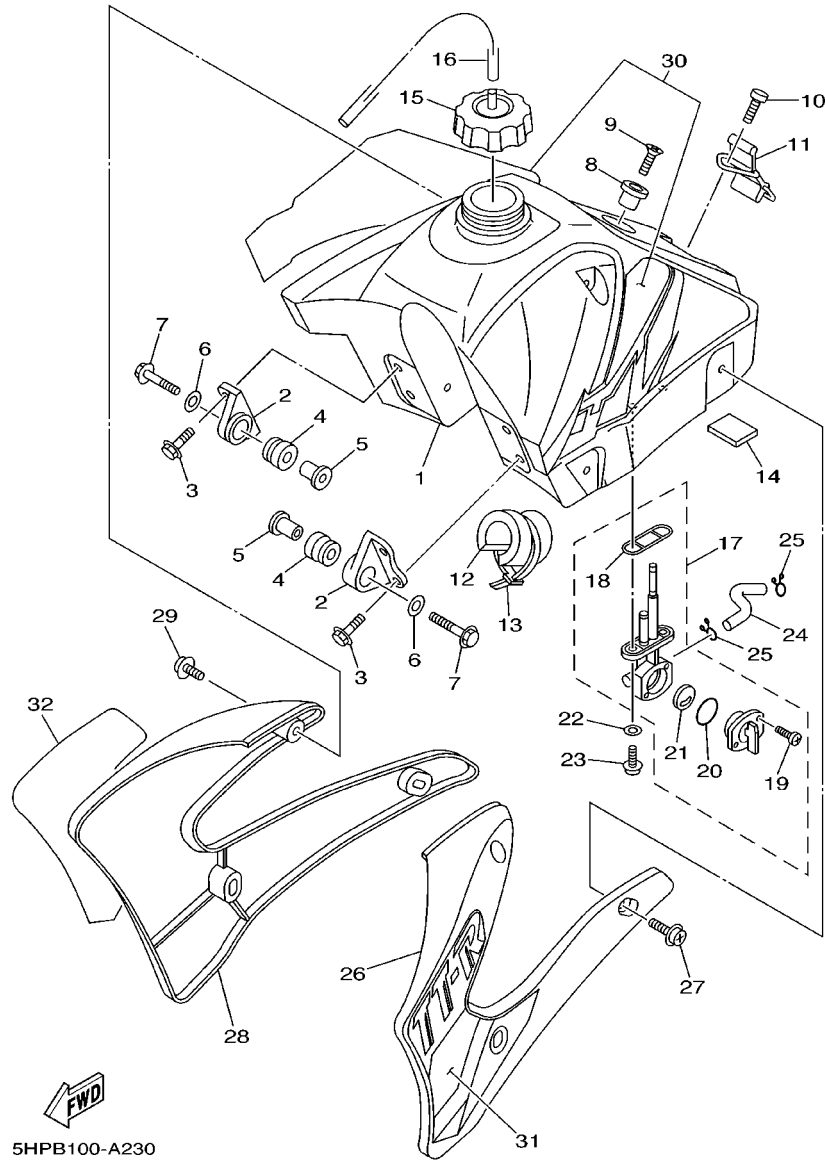


FIG. 22 FRONT FORK 2

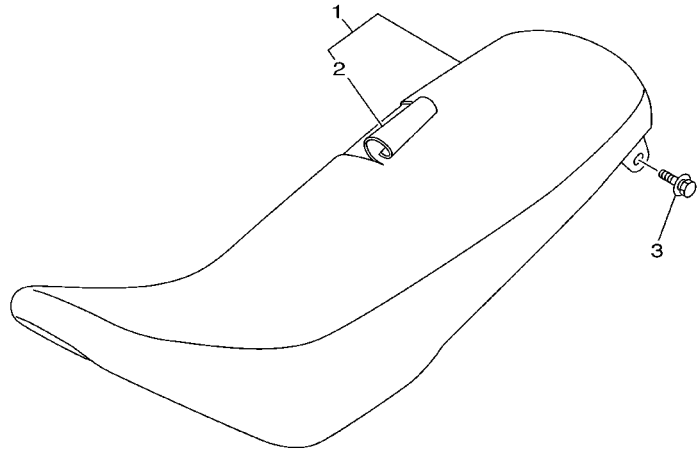
REF. NO.	PART NO.	DESCRIPTION	5HPB	5HPC	5HPD	5HPE	REMARKS
28	278-23181-50	.BOLT, HEXAGON SOCKET HEAD			1	1	
29	5HP-23141-10	.SPRING, FRONT FORK			1	1	
30	5J0-23146-00	.WASHER, OIL SEAL			1	1	
31	5HP-23118-10	.SPACER			1	1	
32	1X0-23111-00	.BOLT, CAP			1	1	
33	146-23114-00	.O-RING			1	1	
34	1X0-23168-00	.CAP, FRONT FORK			1	1	
35	5HP-23191-00	BOOT			2	2	
36	482-23192-40	BAND			2	2	
37	98501-04016	SCREW, PAN HEAD			2	2	
38	5HP-23340-00	UNDER BRACKET COMP.			1	1	
39	51Y-23128-00	BOLT, AXLE HOLDER			2	2	
40	4DA-23389-00	GUIDE, CABLE			1	1	
41	90119-05071	BOLT, WITH WASHER			1	1	
42	5HP-2331E-00	GUIDE, CABLE			1	1	
43	5HP-85112-00	BRACKET, REFLECTOR 1				2	

FIG. 23 FUEL TANK



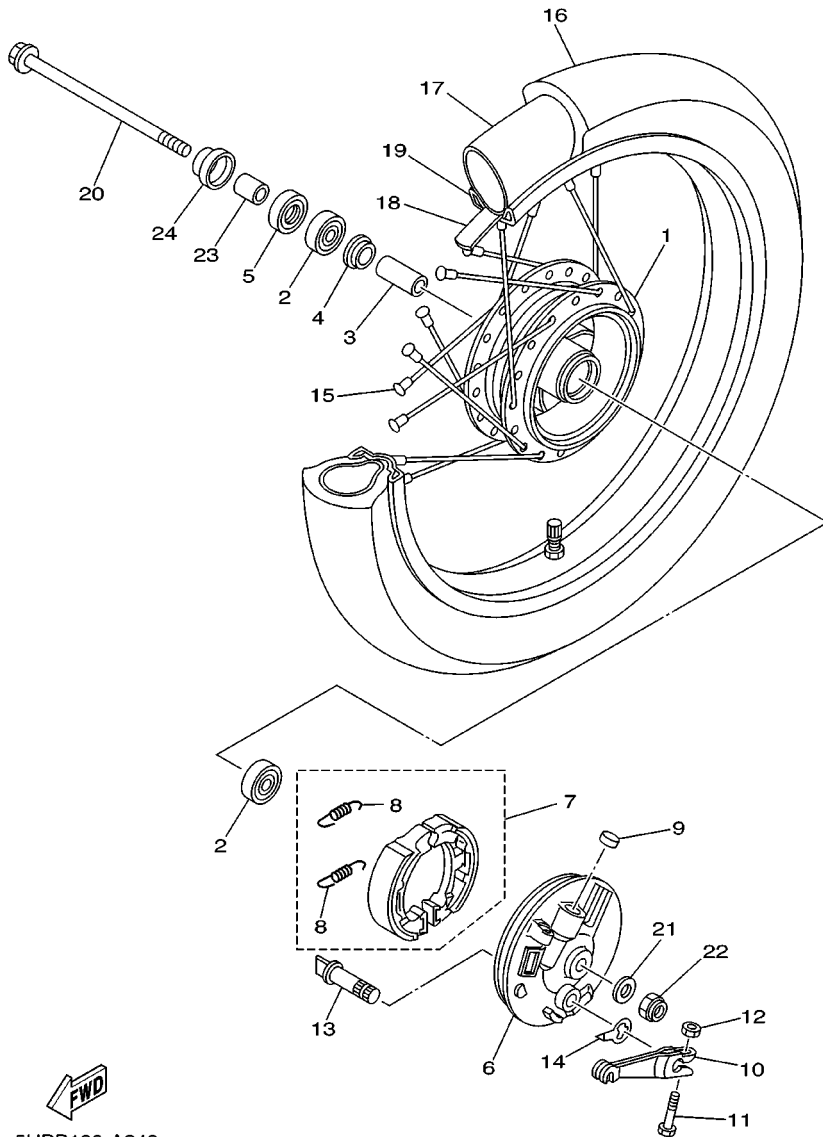
REF. NO.	PART NO.	DESCRIPTION	5HPB	5HPC	5HPD	5HPE	REMARKS
28	5HP-2137X-00	SCOOP, AIR 2	1	1	1	1	
29	90159-06182	SCREW, WITH WASHER	3	3	3	3	
30	5HP-24240-20	GRAPHIC SET	1	1	1	1	
31	5HP-2137N-20	GRAPHIC 1	1	1	1	1	
32	5HP-2137P-20	GRAPHIC 2	1	1	1	1	

FIG. 24 SEAT



REF. NO.	PART NO.	DESCRIPTION	5HPB	5HPC	5HPD	5HPE	REMARKS
1	5HP-24770-00	SEMI-DOUBLE SEAT ASSY	1	1	1	1	
2	5HP-24731-00	.COVER, SEAT	1	1	1	1	
3	90119-06011	BOLT, WITH WASHER	2	2	2	2	


5HP1100-0230

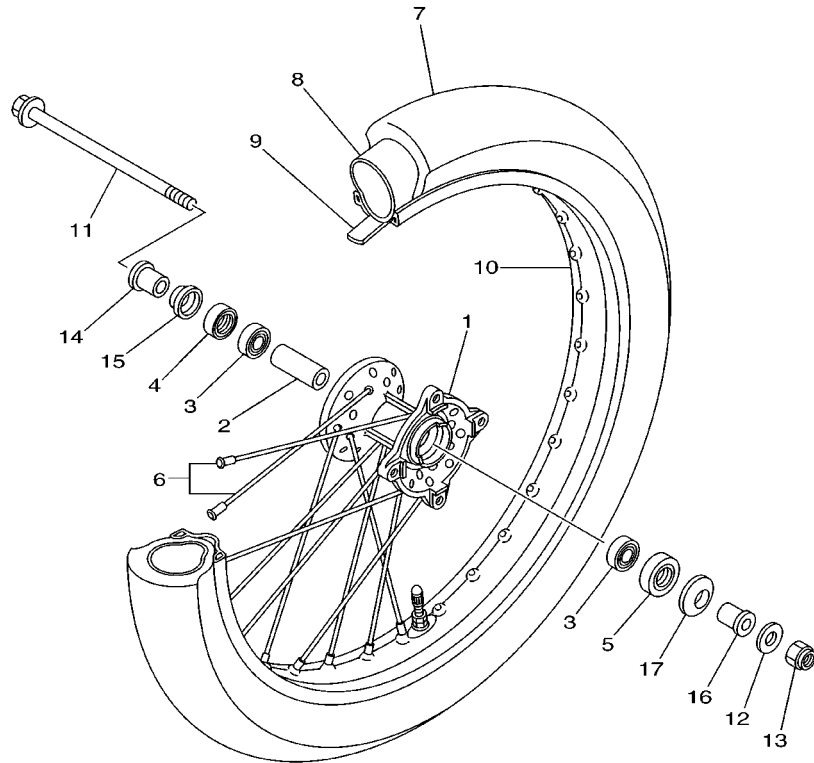


5HPB100-A240

FIG. 25 FRONT WHEEL

REF. NO.	PART NO.	DESCRIPTION	5HPB	5HPC	5HPD	5HPE	REMARKS
1	248-25111-10	HUB, FRONT	1	1			
2	93306-30102	BEARING (B6301)	2	2			
3	90560-12138	SPACER	1	1			
4	109-25315-00	FLANGE, SPACER	1	1			
5	93106-20033	OIL SEAL	1	1			
6	5HP-25121-00	PLATE, BRAKE SHOE	1	1			
7	4KN-W253E-11	BRAKE SHOE SET	1	1			
8	90506-15260	.SPRING, TENSION	2	2			
9	90338-16029	PLUG	1	1			
10	558-25155-00	LEVER, CAMSHAFT 1	1	1			
11	90101-06278	BOLT	1	1			
12	95307-06600	NUT	1	1			
13	3Y6-25351-00	CAMSHAFT	1	1			
14	50W-2533A-00	PLATE, INDICATOR	1	1			
15	5HP-25104-00	SPOKE SET, FRONT	1	1			
16	94107-17008	TIRE (70/100-17 40M)	1	1			CHENGSHIN
17	94207-17003	TUBE (2.50-17)	1	1			CHENGSHIN
18	94307-17035	BAND, RIM (2.50-17)	1	1			CHENGSHIN
19	94414-17006	RIM (1.40-17)	1	1			
20	3UN-25181-00	AXLE, WHEEL	1	1			
21	90201-12749	WASHER, PLATE	1	1			
22	95617-12100	NUT, U	1	1			
23	90387-12096	COLLAR	1	1			
24	322-25118-00	COVER, HUB DUST	1	1			

FIG. 26 FRONT WHEEL 2

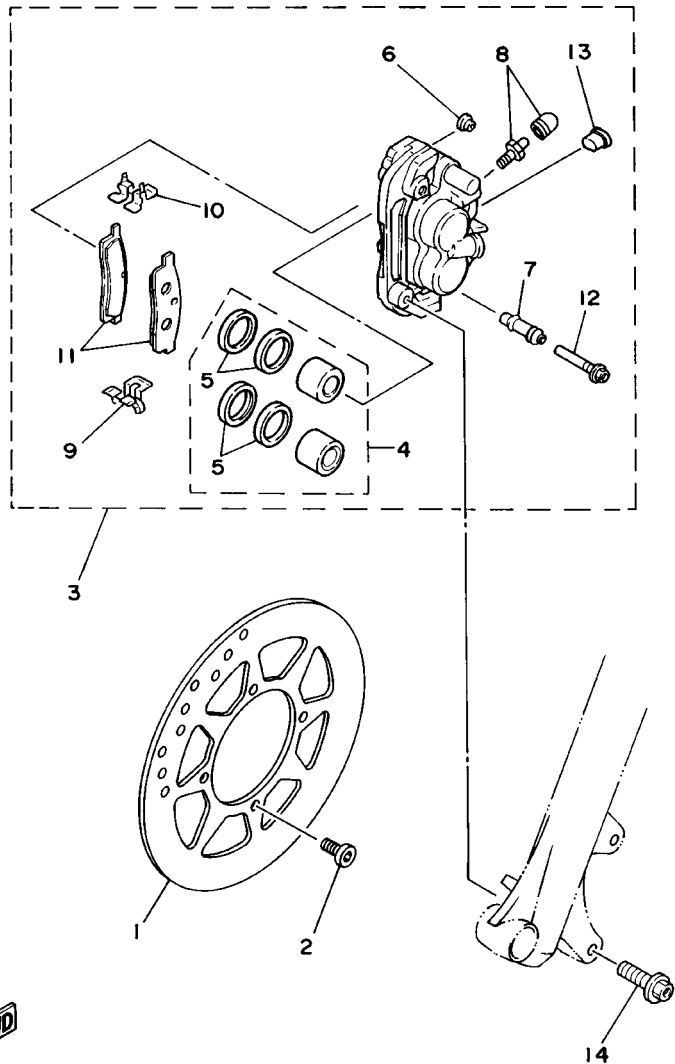


REF. NO.	PART NO.	DESCRIPTION	5HPB	5HPC	5HPD	5HPE	REMARKS
1	5HP-25111-10	HUB, FRONT			1	1	
2	90560-12257	SPACER			1	1	
3	93306-00108	BEARING			2	2	
4	93106-18013	OIL SEAL			1	1	
5	93102-18008	OIL SEAL			1	1	
6	5HP-25104-10	SPOKE SET, FRONT			1	1	
7	94107-19008	TIRE (70/100-19 42M IX05H)			1	1	INOUE
8	94225-19133	TUBE (70/100-19)			1	1	INOUE
9	94320-19089	BAND, RIM (2.00-19)			1	1	INOUE
10	94414-19002	RIM (1.40-19)			1	1	
11	3UN-25181-00	AXLE, WHEEL			1	1	
12	90201-12749	WASHER, PLATE			1	1	
13	95617-12100	NUT, U			1	1	
14	90387-126F8	COLLAR			1	1	
15	462-25118-00	COVER, HUB DUST			1	1	
16	90387-12005	COLLAR			1	1	
17	2K5-25118-00	COVER, HUB DUST			1	1	



5HP4100-0240

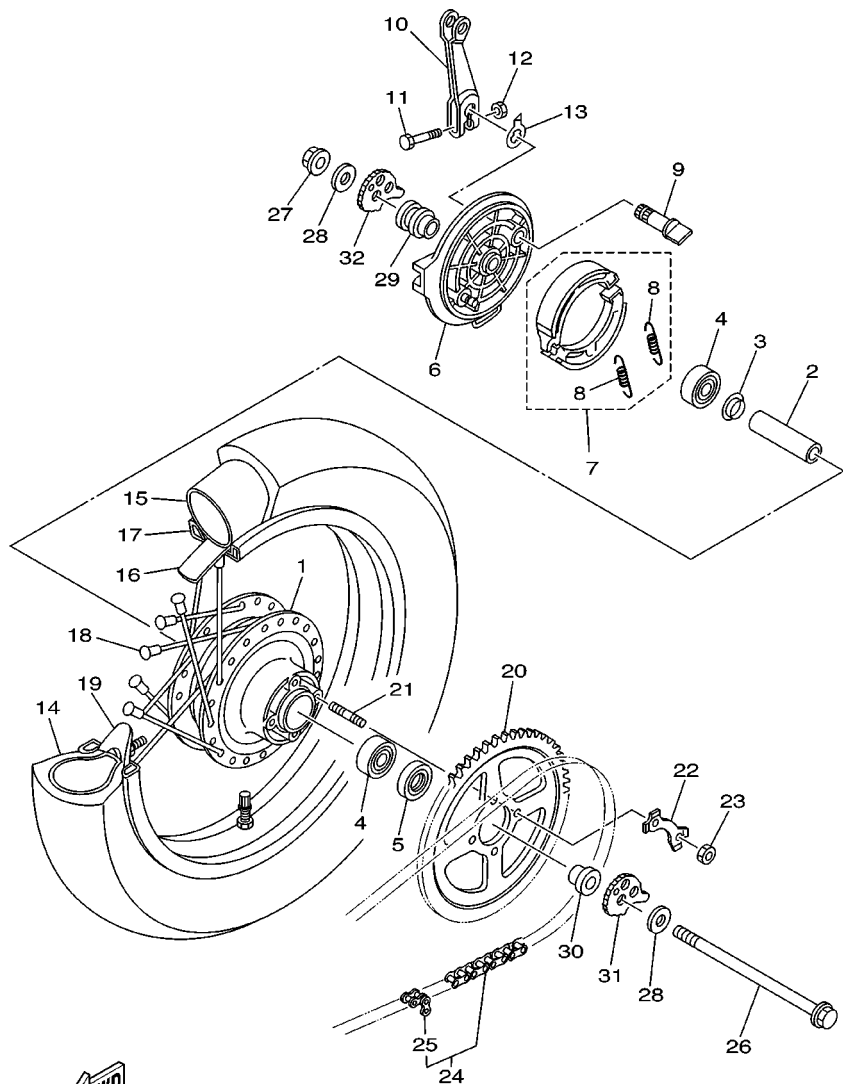
FIG. 27 FRONT BRAKE CALIPER



3UN4353-4280

REF. NO.	PART NO.	DESCRIPTION	5HPB	5HPC	5HPD	5HPE	REMARKS
1	3UN-2582T-00	DISC, BRAKE			1	1	
2	90109-065F3	BOLT			4	4	
3	3UN-2580T-00	CALIPER ASSY (LEFT)			1	1	
4	1LR-W0057-00	.PISTON ASSY, CALIPER			1	1	
5	1LR-W0047-00	..CALIPER SEAL KIT			1	1	
6	5R2-25937-00	.BOOT 2			1	1	
7	56A-25937-00	.BOOT 2			1	1	
8	51L-W0048-00	.BLEED SCREW KIT			1	1	
9	56A-25919-00	.SUPPORT, PAD			1	1	
10	56A-25919-10	.SUPPORT, PAD			1	1	
11	3UN-W0045-00	.BRAKE PAD KIT			1	1	
12	56A-25926-00	.BOLT			1	1	
13	34X-25845-00	.CAP, INDICATOR			1	1	
14	90105-08211	BOLT, FLANGE			2	2	

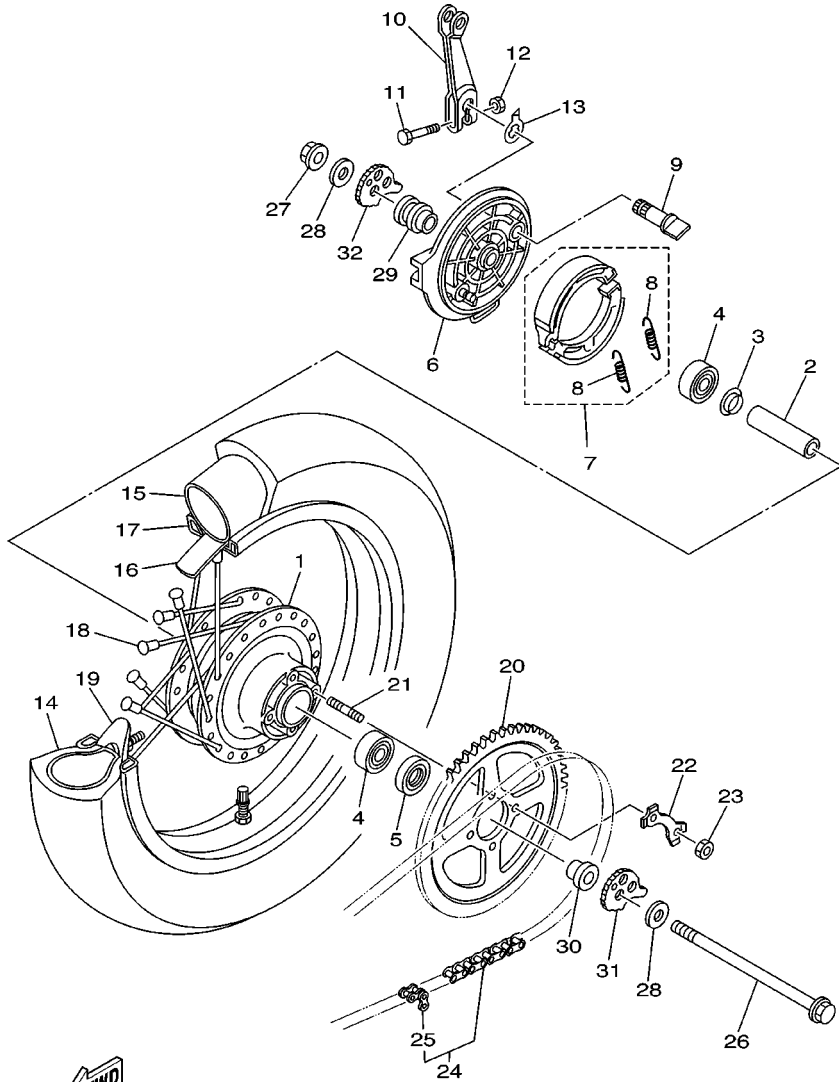
FIG. 28 REAR WHEEL



FWD
5HPB100-A250

REF. NO.	PART NO.	DESCRIPTION	5HPB	5HPC	5HPD	5HPE	REMARKS
1	5HP-25311-10	HUB, REAR	1	1	1	1	
2	90560-12170	SPACER	1	1	1	1	
3	109-25315-00	FLANGE, SPACER	1	1	1	1	
4	93306-30111	BEARING	2	2	2	2	
5	93106-20033	OIL SEAL	1	1	1	1	
6	5HP-25321-00	PLATE, BRAKE SHOE	1	1	1	1	
7	4KN-W253E-11	BRAKE SHOE KIT	1	1	1	1	
8	90506-15260	.SPRING, TENSION	2	2	2	2	
9	3Y6-25351-00	CAMSHAFT	1	1	1	1	
10	55K-25355-00	LEVER, CAMSHAFT	1	1	1	1	
11	90101-06278	BOLT	1	1	1	1	
12	95307-06600	NUT	1	1	1	1	
13	2JX-2533A-00	PLATE, INDICATOR	1	1	1	1	
14	94109-14008	TIRE (90/100-14 49M)	1	1			CHENGSHIN
	94109-16008	TIRE (90/100-16 52M IX05H)			1	1	INOUE
15	94209-14003	TUBE (3.25/3.50-14)	1	1			CHENGSHIN
	94209-16003	TUBE (90/100-16M)			1	1	INOUE
16	94309-14035	BAND, RIM (2.50-14)	1	1			CHENGSHIN
	94330-16058	BAND, RIM (3.00-16)			1	1	INOUE
17	94416-14002	RIM (1.60-14)	1	1			
	94416-16003	RIM (1.60-16)			1	1	
18	5HP-25304-00	SPOKE SET, REAR	1	1			
	538-25304-10	SPOKE SET, REAR			1	1	
19	2J5-25394-01	SPACER, BEAD	1	1	1	1	
20	5HP-25449-20	SPROCKET, DRIVEN (49T)	1	1			
	5HP-25454-20	SPROCKET, DRIVEN (54T)			1	1	
21	90116-10013	BOLT, STUD	4	4	4	4	

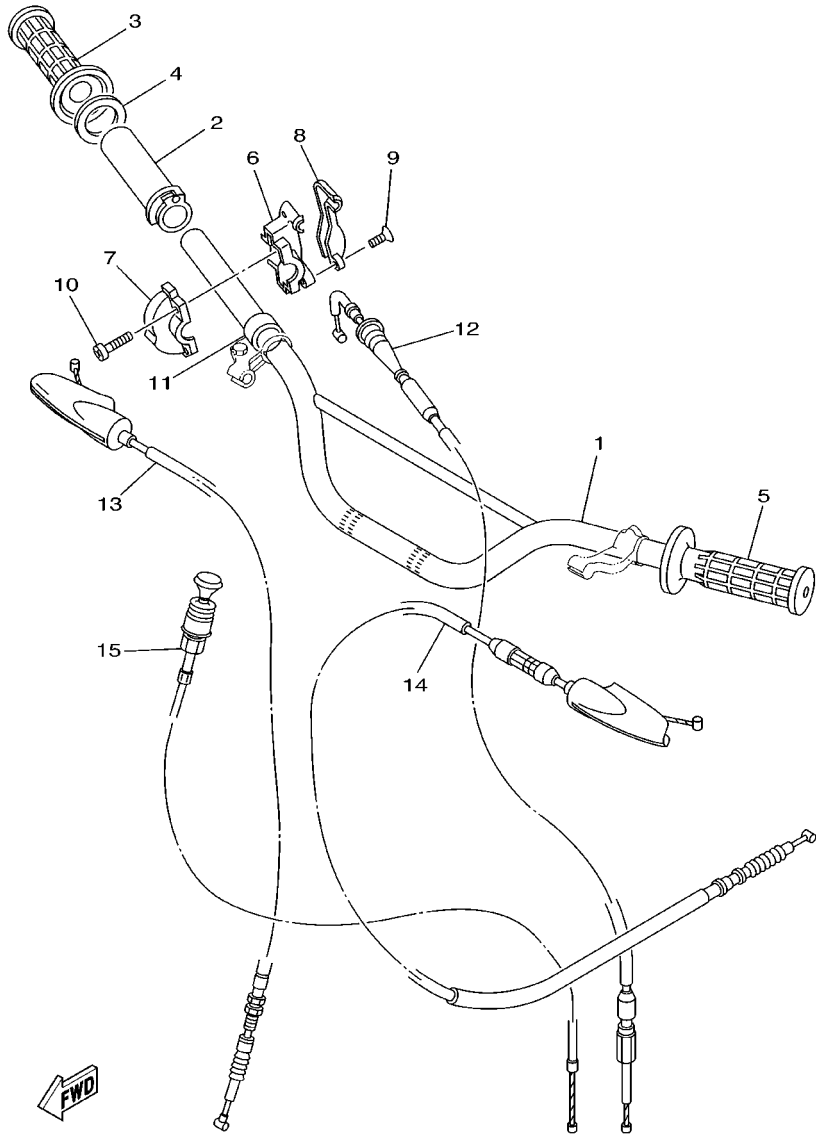
FIG. 28 REAR WHEEL



5HPB100-A250

REF. NO.	PART NO.	DESCRIPTION	5HPB	5HPC	5HPD	5HPE	REMARKS
22	10V-25412-00	WASHER	2	2	2	2	
23	90170-10206	NUT	4	4	4	4	
24	94581-97116	CHAIN (DID428HD 116LL)	1	1			
	94581-97122	CHAIN (DID428HD 122LL)			1	1	
25	94681-97001	.JOINT, CHAIN (DID428HD-RJ)	1	1	1	1	
26	5HN-25381-00	AXLE, WHEEL	1	1	1	1	
27	95607-12200	NUT, SELF-LOCKING	1	1	1	1	
28	90201-126A7	WASHER, PLATE	2	2	2	2	
29	5HP-25383-00	COLLAR, WHEEL	1	1	1	1	
30	90387-12670	COLLAR	1	1	1	1	
31	5HP-25388-00	PULLER, CHAIN 1	1	1	1	1	
32	5HP-25389-00	PULLER, CHAIN 2	1	1	1	1	

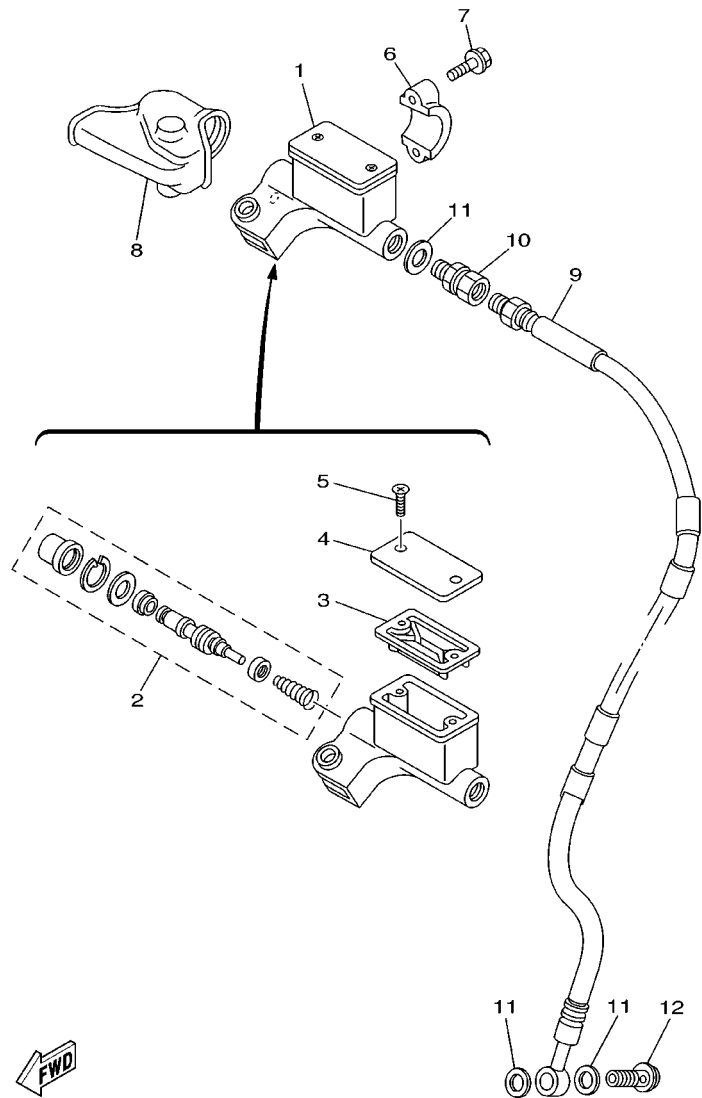
FIG. 29 STEERING HANDLE. CABLE



5HP1100-0260

REF. NO.	PART NO.	DESCRIPTION	5HPB	5HPC	5HPD	5HPE	REMARKS
1	5HP-26111-00	HANDLEBAR	1	1	1	1	
2	434-26243-00	TUBE, THROTTLE GUIDE	1	1	1	1	
3	1LX-26242-01	GRIP (RIGHT)	1	1	1	1	
4	1M1-26249-01	RING, LEAF	1	1	1	1	
5	1LX-26241-01	GRIP	1	1	1	1	
6	5X2-26281-00	CAP, GRIP UPPER	1	1	1	1	
7	322-26282-00	CAP, GRIP LOWER	1	1	1	1	
8	5X2-2628H-01	CAP, WIRE	1	1	1	1	
9	98707-04012	SCREW, FLAT HEAD	2	2	2	2	
10	98507-05016	SCREW, PAN HEAD	2	2	2	2	
11	90387-22591	COLLAR	1	1			
	90387-224L9	COLLAR			1	1	
12	5HP-26311-00	CABLE, THROTTLE 1	1	1	1	1	
13	5HP-26341-00	CABLE, BRAKE	1	1			
14	5HP-26335-00	CABLE, CLUTCH	1	1	1	1	
15	5HP-26331-10	CABLE, STARTER 1	1	1	1	1	

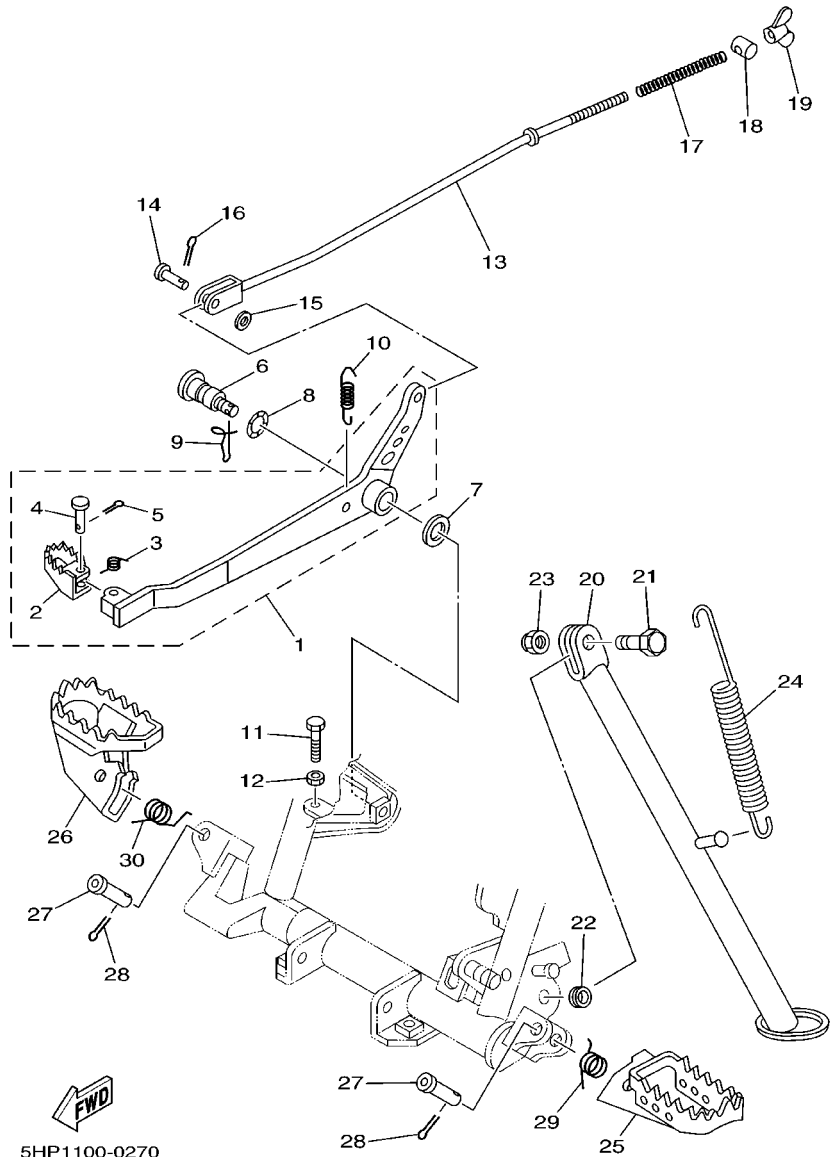
FIG. 30 FRONT MASTER CYLINDER



REF. NO.	PART NO.	DESCRIPTION	5HPB	5HPC	5HPD	5HPE	REMARKS
1	3SP-25870-01	MASTER CYLINDER SUB ASSY			1	1	
2	3SP-W0041-00	.CYLINDER KIT, MASTER			1	1	
3	56A-25854-00	.DIAPHRAGM, RESERVOIR			1	1	
4	2VN-25852-01	.CAP, RESERVOIR			1	1	
5	98706-04012	.SCREW, FLAT HEAD			2	2	
6	56A-25867-00	BRACKET, MASTER CYLINDER			1	1	
7	95027-06025	BOLT, FLANGE			2	2	
8	56A-26372-01	COVER, HANDLE LEVER 1			1	1	
9	5HP-25872-00	HOSE, BRAKE 1			1	1	
10	3LC-25885-00	JOINT			1	1	
11	90201-10118	WASHER, PLATE			3	3	
12	90401-10172	BOLT, UNION			1	1	

FWD
5HP4100-0280

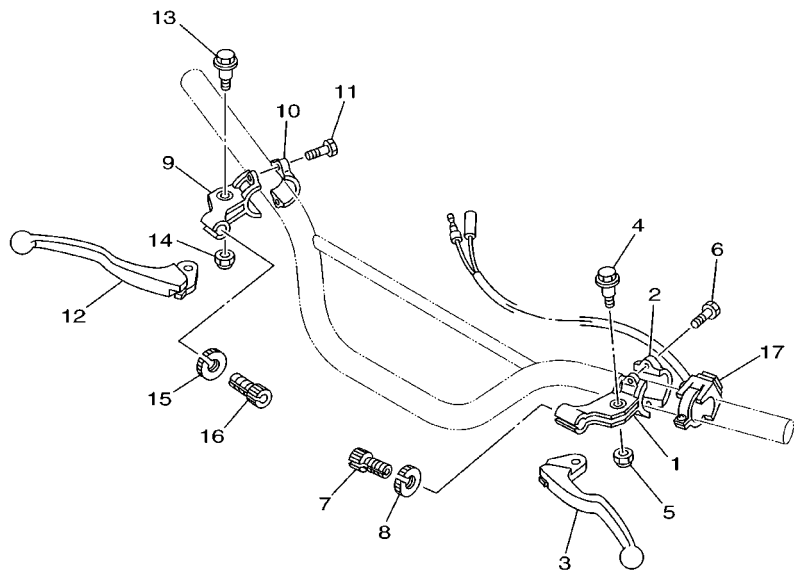
FIG. 31 STAND, FOOTREST



5HP1100-0270

REF. NO.	PART NO.	DESCRIPTION	5HPB	5HPC	5HPD	5HPE	REMARKS
1	5HP-27200-00	PEDAL, BRAKE	1	1	1	1	
2	55V-27242-00	.PEDAL, BRAKE	1	1	1	1	
3	90508-14352	.SPRING, TORSION	1	1	1	1	
4	91701-06022	.PIN, CLEVIS	1	1	1	1	
5	91401-20012	.PIN, COTTER	1	1	1	1	
6	5HP-27261-00	SHAFT	1	1	1	1	
7	90201-10135	WASHER, PLATE	1	1	1	1	
8	90206-14001	WASHER, WAVE	1	1	1	1	
9	90468-20196	CLIP	1	1	1	1	
10	90506-16372	SPRING, TENSION	1	1	1	1	
11	97007-06016	BOLT	1	1	1	1	
12	95307-06700	NUT	1	1	1	1	
13	5HP-27231-00	ROD, BRAKE	1	1	1	1	
14	90240-06076	PIN, CLEVIS	1	1	1	1	
15	92907-06200	WASHER	1	1	1	1	
16	91401-20012	PIN, COTTER	1	1	1	1	
17	90501-10245	SPRING, COMPRESSION	1	1	1	1	
18	90249-12008	PIN	1	1	1	1	
19	90175-06013	NUT, WING	1	1	1	1	
20	5HP-27311-00	STAND, SIDE	1	1			
	5HP-27311-10	STAND, SIDE			1	1	
21	90101-10003	BOLT	1	1	1	1	
22	90387-10003	COLLAR	1	1	1	1	
23	90185-10037	NUT, SELF-LOCKING	1	1	1	1	
24	90506-35474	SPRING, TENSION	1	1	1	1	
25	4DA-27411-00	FOOTREST 1	1	1	1	1	
26	4GY-27421-00	FOOTREST 2	1	1	1	1	

FIG. 33 HANDLE SWITCH. LEVER

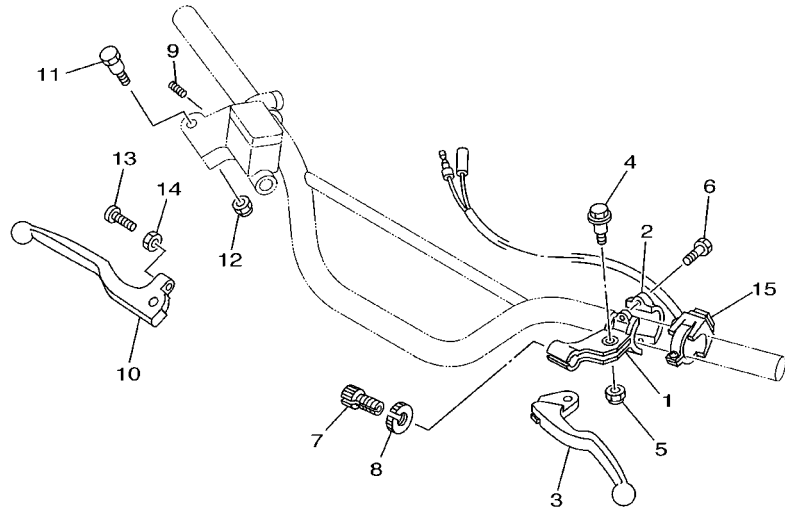


REF. NO.	PART NO.	DESCRIPTION	5HPB	5HPC	5HPD	5HPE	REMARKS
1	38V-82911-00	HOLDER, LEVER 1	1	1			
2	38V-82913-00	HOLDER, LEVER LOWER 1	1	1			
3	4GY-83912-00	LEVER 1	1	1			
4	90109-06799	BOLT	1	1			
5	95607-06100	NUT, U	1	1			
6	97007-05016	BOLT	2	2			
7	90123-08046	BOLT	1	1			
8	90179-08148	NUT	1	1			
9	38V-82921-00	HOLDER, LEVER 2	1	1			
10	38V-82913-00	HOLDER, LEVER LOWER 1	1	1			
11	97007-05016	BOLT	2	2			
12	23X-83922-00	LEVER 2	1	1			
13	90109-06799	BOLT	1	1			
14	95607-06100	NUT, U	1	1			
15	90179-08148	NUT	1	1			
16	90123-08046	BOLT	1	1			
17	22W-83976-00	SWITCH, HANDLE 1	1	1			



5HP1100-0290

FIG. 34 HANDLE SWITCH. LEVER 2

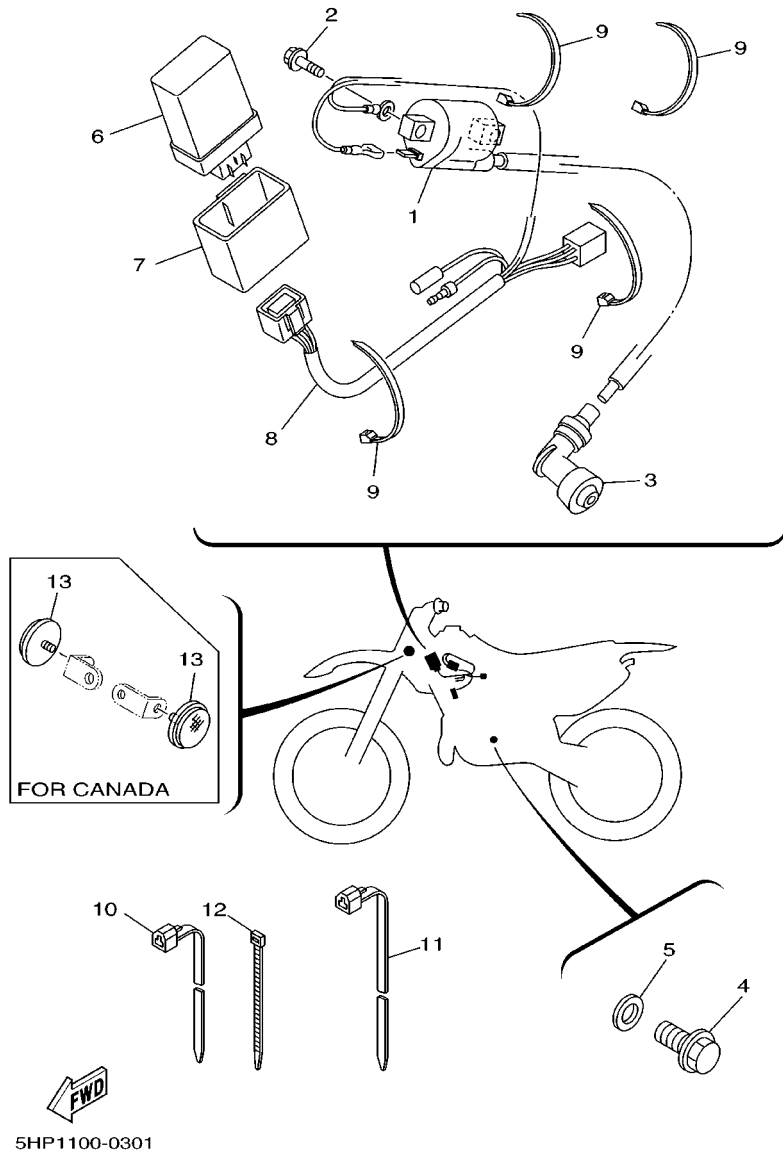


REF. NO.	PART NO.	DESCRIPTION	5HPB	5HPC	5HPD	5HPE	REMARKS
1	38V-82911-00	HOLDER, LEVER 1			1	1	
2	38V-82913-00	HOLDER, LEVER LOWER 1			1	1	
3	4GY-83912-00	LEVER 1			1	1	
4	90109-06799	BOLT			1	1	
5	95607-06100	NUT, U			1	1	
6	97007-05016	BOLT			2	2	
7	90123-08046	BOLT			1	1	
8	90179-08148	NUT			1	1	
9	90501-061G2	SPRING, COMPRESSION			1	1	
10	3SP-83922-00	LEVER 2			1	1	
11	90109-06577	BOLT			1	1	
12	95607-06100	NUT, U			1	1	
13	90143-06024	SCREW, HEXAGON			1	1	
14	90170-06010	NUT			1	1	
15	22W-83976-00	SWITCH, HANDLE 1			1	1	



5HPB100-A340

FIG. 35 ELECTRICAL 1



REF. NO.	PART NO.	DESCRIPTION	5HPB	5HPC	5HPD	5HPE	REMARKS
1	4KJ-82310-10	IGNITION COIL ASSY	1	1	1	1	
2	95027-06016	BOLT, FLANGE	2	2	2	2	
3	4BP-82370-00	PLUG CAP ASSY	1	1	1	1	
4	95807-10016	BOLT, FLANGE	1	1	1	1	
5	90430-10148	GASKET	1	1	1	1	
6	5HP-85540-00	C.D.I. UNIT ASSY	1	1	1	1	
7	5HP-85546-00	BAND	1	1	1	1	
8	5HP-82590-00	WIRE HARNESS ASSY	1	1	1	1	
9	90465-13152	CLAMP	4	4	4	4	
10	90464-13077	CLAMP	2	2	2	2	
11	90464-13073	CLAMP	2	2	2	2	
12	90465-10098	CLAMP	1	1	1	1	
13	2EK-85111-00	REFLECTOR, FRONT 1		2		2	

NUMERICAL INDEX

PARTNO.	GRID NO.	PARTNO.	GRID NO.	PARTNO.	GRID NO.	PARTNO.	GRID NO.	PARTNO.	GRID NO.	PARTNO.	GRID NO.
3SP-W0041-00	D - 13	5HP-12241-01	B - 5	50M-14452-00	B - 7	5HP-16381-00	B - 15	4XV-2177L-00	C - 9	146-23114-00	D - 3
3UN-W0045-00	D - 9	5AP-13300-00	B - 6	5HP-14453-00	B - 7	5AP-17121-00	C - 2	5HP-21781-20	C - 9	17W-23118-00	C - 14
1LR-W0047-00	D - 9	5HH-13324-00	B - 6	5HP-14472-00	B - 7	5AP-17131-00	C - 2	5HP-21781-30	C - 9		C - 15
51L-W0048-00	D - 9	4GL-13325-00	B - 6	34K-14484-00	B - 7	5AP-17141-00	C - 2	5HP-2179T-20	C - 7	5HP-23118-10	D - 2
1LR-W0057-00	D - 9	22F-13329-01	B - 6	583-14561-00	B - 8	5AP-17151-00	C - 2	5HP-2179X-00	C - 6		D - 3
5HP-W1141-00	B - 3	22F-13411-01	B - 6	5HP-14565-00	B - 9	5AP-17211-00	C - 2	5HP-22110-00	C - 10	51Y-23128-00	C - 15
4KN-W253E-11	D - 10	5AP-13451-00	B - 6	4BR-14613-00	B - 10	5AP-17221-00	C - 2	5HP-22110-10	C - 10		D - 3
	D - 7	16G-13569-00	B - 7	5HP-14628-00	B - 10	5AP-17231-00	C - 2	2J5-22124-00	C - 10	5HP-23141-00	C - 14
4UL-1111F-00	B - 5	5HP-13586-00	B - 7	5HP-14628-10	B - 10	5AP-17241-00	C - 2	22W-22124-00	C - 10		C - 15
5HP-11111-00	B - 2	5HP-1410A-10	B - 8	5HP-14711-10	B - 10	5AP-17251-00	C - 2	401-22128-01	C - 10	5HP-23141-10	D - 2
2UJ-11133-10	B - 2	5HP-14101-10	B - 8	5HP-14758-00	B - 10	5AP-17402-00	C - 2	22W-22129-00	C - 11		D - 3
22F-11134-10	B - 2	5HH-14103-00	B - 8	4BD-14766-00	B - 10	5AP-17411-00	C - 2	5X6-22129-00	C - 10	33J-23144-00	C - 14
5HP-11161-00	B - 2	5DG-14106-00	B - 8	5HP-14780-00	B - 10	5HP-17456-00	C - 2	2N4-22141-00	C - 10		D - 2
5HP-11166-00	B - 12	5HP-14107-18	B - 8	5HP-1479H-00	B - 10	5AP-17471-00	C - 2	5HP-22151-00	C - 10	33J-23145-00	C - 14
59V-11167-00	B - 12	5HH-14112-25	B - 8	5HP-1479J-00	B - 10	5AP-18101-00	C - 5	39K-2217A-00	C - 10		D - 2
5AP-11181-00	B - 2	4LS-14126-00	B - 8	5HP-1490J-00	B - 8	5HP-18110-00	C - 5	22W-2217F-00	C - 11	5J0-23146-00	C - 14
5HH-11185-00	B - 2	4LS-14131-00	B - 8	4LS-14923-20	B - 8	5HP-18112-00	C - 5	30X-22178-00	C - 6		C - 15
22F-11186-00	B - 2	5K7-14134-00	B - 8	5AP-14933-00	B - 9	1W6-18113-00	C - 5	4ES-22178-00	C - 6		D - 2
5HP-11310-00	B - 2	21V-1414M-26	B - 8	5AP-14940-00	B - 9	2KW-18115-00	C - 5	10V-22184-00	C - 6		D - 3
5HP-11351-00	B - 2	5HP-14142-15	B - 8	3H1-14962-00	B - 8	5AP-18140-00	C - 5	22W-22189-00	C - 11	3V3-23156-00	C - 14
5HP-11400-00	B - 3	5HP-14145-00	B - 8	5HP-15150-00	B - 12	2H9-18154-00	C - 5	38V-22199-00	C - 10		D - 2
5HP-11422-00	B - 3	3H1-14147-00	B - 8	5HP-15191-00	B - 13	5AP-18185-00	C - 4	5HP-22210-00	C - 11	509-23158-L0	C - 14
5HP-11500-00	B - 3	4LS-14147-00	B - 9	5HP-15316-00	B - 13	5AP-18337-00	C - 5	5HP-22210-20	C - 11		D - 2
5AP-11536-00	B - 3	5V7-14153-00	B - 9	5HH-15362-00	B - 13	5AP-18511-00	C - 4	5HP-22210-30	C - 11	1X0-23168-00	C - 14
4LS-11603-00	B - 3	24W-14184-00	B - 8	5HP-15377-00	B - 13	5AP-18512-00	C - 4	5HP-22210-40	C - 11		C - 15
4LS-11605-00	B - 3	5HH-14185-00	B - 8	5HP-15411-01	B - 13	5AP-18513-00	C - 4	5HP-22210-50	C - 11		D - 2
4LS-11607-00	B - 3	127-14186-00	B - 8	5HP-15418-00	B - 13	2A6-18531-00	C - 4	5HP-22210-60	C - 11		D - 3
5HP-11631-00-A0	B - 3	4LS-14191-00	B - 8	5HH-15421-00	B - 13	2A6-18535-00	C - 4	5HP-22210-70	C - 11	5HP-23170-00	C - 14
2TK-11633-00	B - 3	1A0-14196-00	B - 8	5HP-15441-00	B - 12	5AP-18540-00	C - 4	5HP-22210-80	C - 11	5HP-23170-10	D - 2
5HP-11636-00	B - 3	26H-14197-00	B - 8	5HP-15451-00	B - 13	5HP-21110-01	C - 6	2YK-22216-00	C - 11	17W-23171-00	C - 14
5HP-11638-00	B - 3	5CA-14197-00	B - 9	5HP-15461-00	B - 13	5HP-2117F-00	C - 6	5HP-22311-00	C - 11		D - 2
4LS-11651-02	B - 3	5HP-14216-00	B - 9	5AP-15598-00	B - 5	5HP-21268-00	C - 6	5HP-23102-00	C - 14	2K5-23173-00	C - 14
4LS-11681-01	B - 3	620-1423A-71	B - 8	5HP-15620-00	B - 14	5HP-21315-00	C - 6	5HP-23102-10	D - 2		D - 2
5HP-12111-00	B - 4	1HX-14231-16	B - 9	10V-15641-00	B - 14	5HP-21316-00	C - 6	5HP-23103-00	C - 14	278-23181-50	C - 14
5HP-12113-00	B - 4	1HX-14231-29	B - 9	5HP-15651-00	B - 14	5HP-2137N-20	D - 5	5HP-23103-10	D - 2		C - 15
22F-12116-00	B - 4	620-14231-21	B - 8	55K-15660-00	B - 14	5HP-2137P-20	D - 5	5HP-23106-00	C - 14		D - 2
22F-12117-02	B - 4	66E-14251-00	B - 8	5HP-15664-00	B - 14	5HP-2137W-00	D - 4	5HP-23106-10	D - 2		D - 3
22F-12118-01	B - 4	5HP-14280-00	B - 9	401-16111-00	B - 15	5HP-2137X-00	D - 5	5HP-23107-00	C - 14	5HP-2319U-00	C - 13
2HX-12119-00	B - 4	5HP-14348-00	B - 8	5AP-16150-00	B - 15	5HP-21471-00	C - 6	5HP-23107-10	D - 2	5HP-23191-00	C - 15
5HP-12121-00	B - 4	5HP-14411-00	B - 7	4V0-16154-00	B - 15	5HP-21485-00	C - 6	5HP-23110-00	C - 14		D - 3
50M-12151-00	B - 4	5HP-14412-00	B - 7	5AP-16164-00	B - 15	5HP-21511-00	C - 8		D - 2	482-23192-40	C - 15
22F-12156-00	B - 4	5HP-14422-00	B - 7	598-16321-01	B - 15	5HP-21610-00	C - 8	1X0-23111-00	C - 14		D - 3
22F-12159-00	B - 4	MSO-1443E-00	B - 7	1V1-16324-00	B - 15	4ES-21611-10	C - 8		C - 15	5HP-2331E-00	C - 15
5HP-12170-00	B - 5	3AJ-1443E-00	B - 7	5AP-16351-00	B - 15	4ES-21642-00	C - 8		D - 2		D - 3
5AP-12176-00	B - 5	26A-14436-00	B - 7	5AP-16356-00	B - 15	3XJ-21668-10	C - 11		D - 3	3Y1-23319-00	C - 13
4ST-12210-00	B - 5	5HP-14437-00	B - 7	5AP-16357-00	B - 15	5HP-21711-00	C - 9	146-23114-00	C - 14	5HP-23340-00	C - 15
4RF-12213-00	B - 5	5HP-14450-00	B - 7	1W1-16358-01	B - 15	5HP-21721-00	C - 9		C - 15		D - 3
5AP-12231-00	B - 5	3GM-14452-00	B - 7	5AP-16371-00	B - 15	2TK-21757-00	C - 9		D - 2	4DA-23389-00	C - 15

NUMERICAL INDEX

PARTNO.	GRID NO.	PARTNO.	GRID NO.	PARTNO.	GRID NO.	PARTNO.	GRID NO.	PARTNO.	GRID NO.	PARTNO.	GRID NO.
4DA-23389-00	D - 3	5HP-25389-00	D - 11	38V-82913-00	E - 3	90110-06226	B - 5	90201-087A9	B - 11	90387-105G9	C - 11
5HP-2339E-10	C - 13	2J5-25394-01	D - 10		E - 4	90116-06503	B - 2	90201-08753	C - 6	90387-106G0	C - 10
5HP-23416-00	C - 13	10V-25412-00	D - 11	38V-82921-00	E - 3	90116-10013	D - 10	90201-101J1	B - 10		C - 11
3YF-23418-00	C - 13	5HP-25449-20	D - 10	4GY-83912-00	E - 3	90119-05020	B - 15	90201-10118	D - 13	90387-12005	D - 8
5HP-23435-00	C - 13	5HP-25454-20	D - 10		E - 4	90119-05071	C - 15	90201-10135	D - 14	90387-12096	D - 7
1E6-23441-10-35	C - 13	3UN-2580T-00	D - 9	23X-83922-00	E - 3		D - 3	90201-10430	C - 10	90387-126F8	D - 8
4ES-23485-20	C - 13	3UN-2582T-00	D - 9	3SP-83922-00	E - 4	90119-06011	D - 6		C - 11	90387-12670	D - 11
5HP-23486-00	C - 13	34X-25845-00	D - 9	22W-83976-00	E - 3	90119-06018	C - 9	90201-120E8	B - 3	90387-224L9	D - 12
5HP-24110-00	D - 4	2VN-25852-01	D - 13		E - 4	90119-06044	B - 7	90201-122H1	B - 15	90387-22591	D - 12
4EW-2412F-00	D - 4	56A-25854-00	D - 13	2EK-85111-00	E - 5	90119-06063	C - 8	90201-124G9	C - 10	90389-12002	C - 10
24X-24144-00	D - 4	56A-25867-00	D - 13	5HP-85112-00	C - 15	90119-06118	C - 6		C - 12	90401-10172	D - 13
26H-24145-00	D - 4	3SP-25870-01	D - 13		D - 3	90119-06205	C - 11	90201-126A7	D - 11	90430-06014	B - 2
3SP-24173-00	D - 4	5HP-25872-00	D - 13	449-85131-02	C - 8	90123-08046	E - 3	90201-127J6	C - 5		B - 5
22W-24181-00	B - 10	3LC-25885-00	D - 13	5HP-85510-01	E - 2		E - 4	90201-12749	D - 7	90430-10148	E - 5
3JD-24186-00	D - 4	56A-25919-00	D - 9	5HP-85540-00	E - 5	90143-06024	E - 4		D - 8	90430-12213	B - 6
5HP-24240-20	D - 5	56A-25919-10	D - 9	5HP-85546-00	E - 5	90149-06011	D - 4	90201-152H7	B - 14	90445-096H2	D - 4
4X8-24500-02	D - 4	56A-25926-00	D - 9	5HP-85550-00	E - 2	90149-06286	C - 4	90201-15700	C - 2	90445-10007	D - 4
4X8-24512-00	D - 4	5R2-25937-00	D - 9	90101-06278	D - 10	90153-06029	B - 2	90201-202F9	B - 14	90450-44062	B - 7
3AJ-24523-00	D - 4	56A-25937-00	D - 9		D - 7	90155-06009	B - 6	90201-20266	C - 2	90460-46206	B - 7
3AJ-24534-00	D - 4	5HP-26111-00	D - 12	90101-08590	B - 5	90157-06124	C - 2	90201-20272	C - 2	90462-08005	B - 13
2FJ-24610-00	D - 4	1LX-26241-01	D - 12	90101-10003	D - 14	90159-06182	D - 4	90202-05193	D - 4	90464-13073	E - 5
5HP-24731-00	D - 6	1LX-26242-01	D - 12	90105-06014	B - 13		D - 5	90202-26142	C - 13	90464-13077	E - 5
5HP-24770-00	D - 6	434-26243-00	D - 12	90105-06015	B - 12	90170-05302	B - 4	90206-06090	B - 10	90465-10098	E - 5
5HP-25104-00	D - 7	1M1-26249-01	D - 12		B - 13	90170-06010	E - 4	90206-14001	D - 14	90465-13152	D - 4
5HP-25104-10	D - 8	5X2-2628H-01	D - 12	90105-06557	B - 5	90170-06228	C - 5	90208-07052	B - 6		E - 5
248-25111-10	D - 7	5X2-26281-00	D - 12	90105-06690	C - 8	90170-10206	D - 11	90208-17032	B - 15	90465-14242	C - 13
5HP-25111-10	D - 8	322-26282-00	D - 12	90105-08002	C - 6	90170-12060	B - 15	90209-06187	C - 8	90467-10008	D - 4
2K5-25118-00	D - 8	5HP-26311-00	D - 12	90105-08007	C - 6	90175-06013	D - 14	90215-12211	B - 15	90467-10039	B - 7
322-25118-00	D - 7	5HP-26331-10	D - 12	90105-08011	C - 6	90179-08148	E - 3	90240-06076	D - 14	90467-13064	B - 12
462-25118-00	D - 8	5HP-26335-00	D - 12	90105-081A7	B - 11		E - 4	90240-10117	D - 15	90467-14015	B - 7
5HP-25121-00	D - 7	5HP-26341-00	D - 12	90105-082A0	C - 6	90179-08491	B - 10	90249-12008	D - 14	90467-15012	B - 7
558-25155-00	D - 7	56A-26372-01	D - 13	90105-08211	D - 9	90179-12248	B - 3	90267-40073	B - 7	90468-20196	D - 14
3UN-25181-00	D - 8	5HP-27200-00	D - 14	90105-084A1	C - 6	90179-12659	B - 14	90280-03017	B - 3	90468-26048	B - 14
		5HP-27231-00	D - 14	90105-08724	B - 2		B - 15	90282-05001	B - 15	90480-01558	C - 9
5HP-25304-00	D - 10	55V-27242-00	D - 14	90105-10392	C - 11	90179-22412	C - 13	90338-16029	D - 7	90480-13398	C - 9
538-25304-10	D - 10	5HP-27261-00	D - 14	90105-12425	C - 12	90179-25033	C - 13	90340-12097	B - 6	90480-18549	D - 4
5HP-25311-10	D - 10	5HP-27311-00	D - 14	90105-12660	C - 10	90179-25615	C - 13	90340-14068	B - 13	90501-061G2	E - 4
109-25315-00	D - 10	5HP-27311-10	D - 14	90109-063F7	C - 5	90183-04047	B - 10	90340-32069	B - 13	90501-10245	D - 14
		4DA-27411-00	D - 14	90109-065F3	C - 5	90185-08169	C - 6	90380-16109	C - 10	90501-204A0	B - 15
5HP-25321-00	D - 10	4GY-27421-00	D - 14		D - 9	90185-10002	B - 10	90383-16023	C - 11	90501-204A0	D - 14
2JX-2533A-00	D - 10	5HP-2811G-00	B - 7	90109-06577	E - 4	90185-10037	D - 14	90384-18190	C - 10	90506-15260	D - 7
50W-2533A-00	D - 7	3FV-28386-00	C - 9	90109-06799	E - 3	90185-10120	C - 10	90386-18099	C - 10	90506-16372	D - 14
3Y6-25351-00	D - 7	1HX-28415-00	D - 4		E - 4		C - 11	90387-060A3	C - 6	90506-35474	D - 14
		4KJ-82310-10	E - 5	90109-10689	C - 10		D - 4	90387-062X0	C - 10	90508-142A5	B - 15
55K-25355-00	D - 10	4BP-82370-00	E - 5		C - 11	90201-06071	C - 8	90387-064X4	C - 8	90508-14352	D - 14
5HN-25381-00	D - 11	5HP-82590-00	E - 5	90110-06004	E - 2	90201-08326	B - 5	90387-06681	C - 6	90508-26667	B - 14
5HP-25383-00	D - 11	38V-82911-00	E - 3	90110-06014	B - 2	90201-086P8	C - 6	90387-06737	C - 10	90508-284A7	D - 15
5HP-25388-00	D - 11		E - 4	90110-06225	E - 2	90201-08609	B - 2	90387-10003	D - 14	90508-28777	D - 15

NUMERICAL INDEX

PARTNO.	GRID NO.	PARTNO.	GRID NO.	PARTNO.	GRID NO.	PARTNO.	GRID NO.	PARTNO.	GRID NO.	PARTNO.	GRID NO.
90508-32642	C - 5	93604-10011	C - 4	95617-12100	D - 7						
90560-12138	D - 7	93608-30152	C - 5		D - 8						
90560-12170	D - 10	93822-13213	C - 2	95807-06012	C - 13						
90560-12257	D - 8	94107-17008	D - 7	95807-06016	C - 10						
91317-05010	C - 3	94107-19008	D - 8		C - 6						
91317-06016	C - 13	94109-14008	D - 10	95807-06020	C - 10						
91317-06020	B - 7	94109-16008	D - 10	95807-10016	E - 5						
91401-20012	D - 14	94207-17003	D - 7	95817-06016	B - 13						
91401-25015	D - 15	94209-14003	D - 10	95817-10040	B - 10						
91701-06022	D - 14	94209-16003	D - 10	95827-06012	C - 13						
92907-03100	B - 9	94225-19133	D - 8	95827-06016	D - 4						
92907-04100	B - 9	94307-17035	D - 7	95827-06020	C - 5						
92907-04200	B - 7	94309-14035	D - 10	95827-06030	D - 4						
92907-06200	B - 15	94320-19089	D - 8	97007-05016	E - 3						
	D - 14	94330-16058	D - 10		E - 4						
93101-10142	B - 13	94414-17006	D - 7	97007-06016	D - 14						
93101-12173	C - 5	94414-19002	D - 8	97707-50520	B - 7						
93102-12224	B - 15	94416-14002	D - 10	97801-03008	D - 4						
93102-18008	D - 8	94416-16003	D - 10	98501-04016	C - 15						
93102-20143	C - 2	94581-94088	B - 5		D - 3						
93106-18013	D - 8	94581-97116	D - 11	98507-03006	B - 9						
93106-20033	D - 10	94581-97122	D - 11	98507-04014	B - 9						
	D - 7	94681-97001	D - 11	98507-05016	D - 12						
93109-16035	C - 11	94701-00265	B - 2	98507-06010	B - 13						
93109-20014	B - 14	94701-00366	B - 2	98706-04012	D - 13						
93210-14369	B - 13	95024-08035	C - 13	98707-04012	D - 12						
93210-19123	B - 13	95027-06010	B - 10	98707-06025	D - 4						
93210-30611	B - 7	95027-06016	B - 5	98904-06010	C - 6						
93210-32172	B - 13		E - 5	98907-06020	D - 4						
93210-44704	B - 2	95027-06020	B - 2	98980-06008	B - 10						
93210-57634	B - 2	95027-06025	D - 13	99001-05600	B - 6						
93210-71462	B - 2	95027-06030	B - 12	99001-10600	C - 5						
93306-00108	D - 8	95027-06035	B - 13	99009-15400	B - 14						
93306-20121	C - 2	95027-06045	B - 13		C - 2						
93306-20218	C - 2	95027-06055	B - 12	99009-20500	B - 15						
93306-20221	B - 3	95027-08012	C - 6	99241-00080	C - 8						
93306-20301	C - 2	95304-06700	C - 5	99530-10114	B - 12						
93306-20401	C - 2	95307-06600	B - 15		B - 13						
93306-20597	B - 3		D - 10		B - 2						
93306-30102	D - 7		D - 7								
93306-30111	D - 10	95307-06700	D - 14								
93310-6290C	B - 3	95607-06100	E - 3								
93332-00079	C - 13		E - 4								
93399-99949	C - 13	95607-06200	B - 10								
93410-20038	C - 2	95607-12200	D - 11								
93440-10109	B - 2	95617-08100	C - 6								
93450-16068	B - 3	95617-12100	C - 10								
93503-16003	B - 15		C - 12								