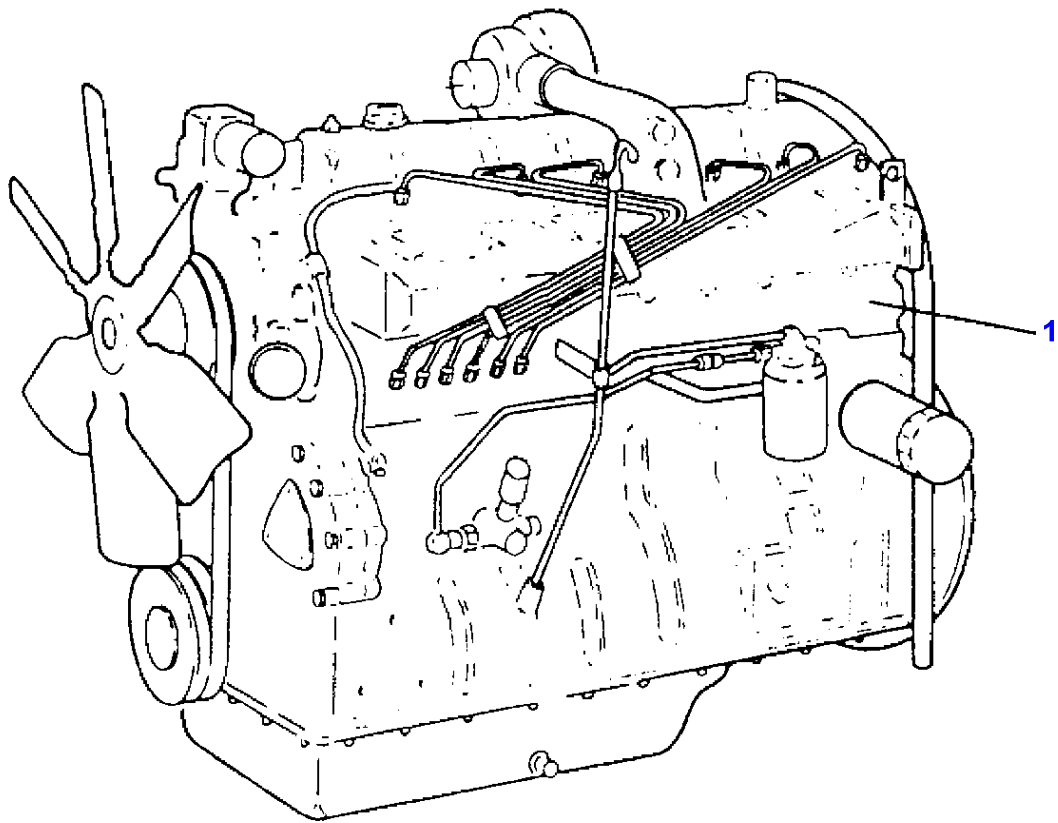


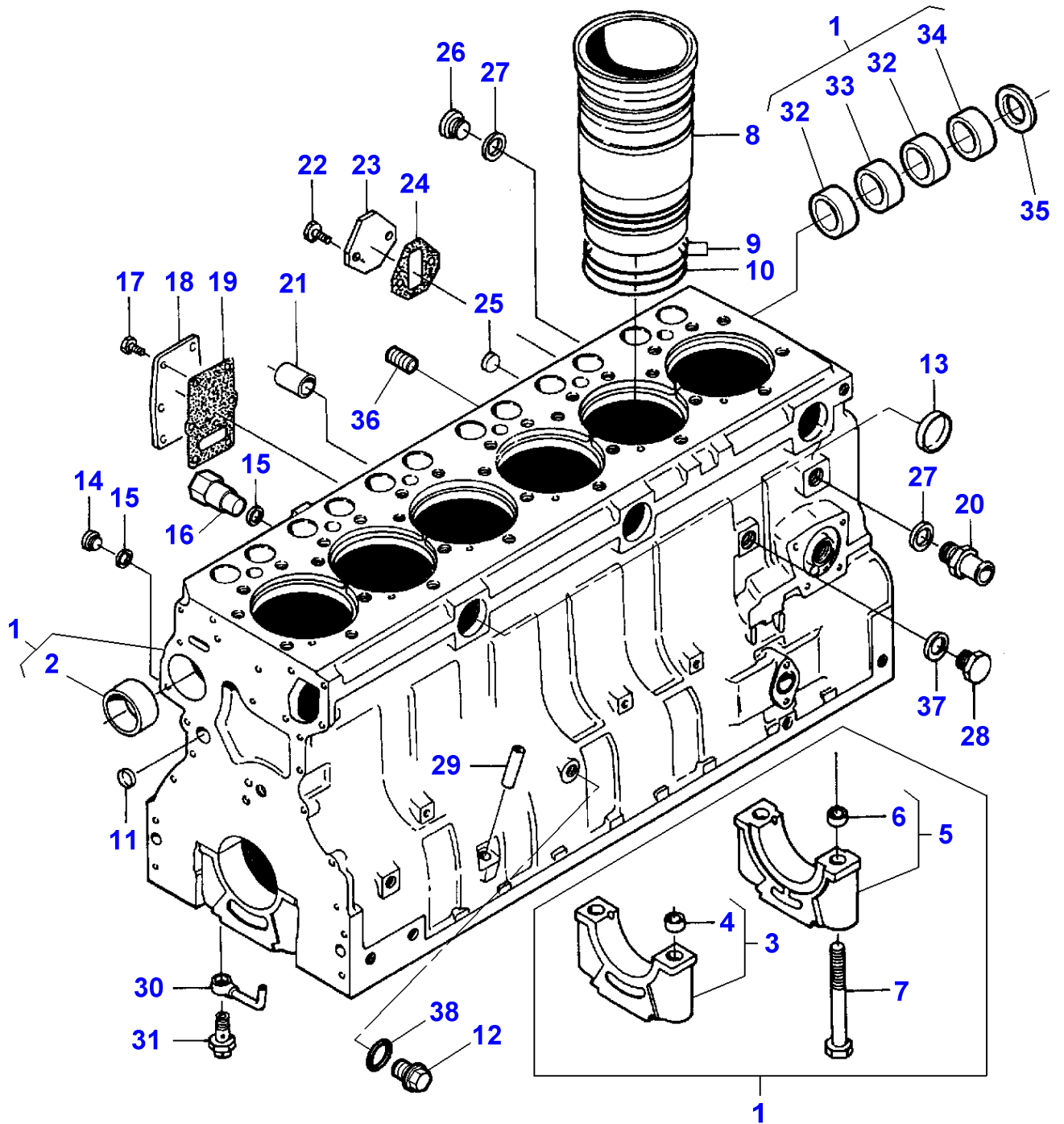
B-0001-081-A



MASSEY FERGUSON**MF 30/31XP/32/34/36/38/40 COMBINE ENGINES, VALMET - 1637219****1637219****SECTION DIVIDER - ENGINE 620DSL****78**

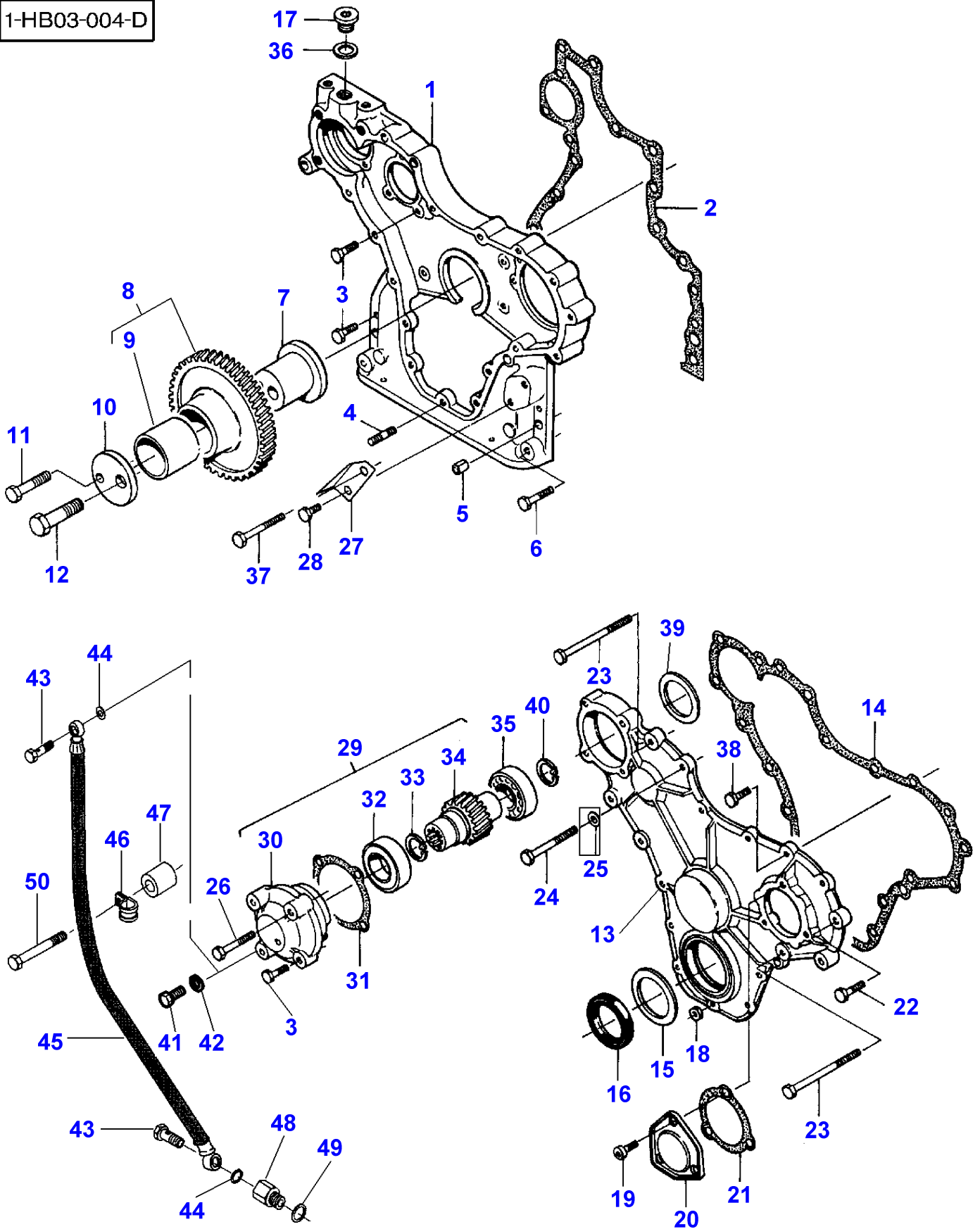
Item	Part Number	Qty	Description	Comments
				ENGINE 620DSL
1	D28084001	1	Engine	[A] 620DSL MF30 Up to Serial or Engine Number 48792
1	D46496600	1	Engine	[A] 620DSL MF30 From Serial or Engine Number 48793
1	D28084002	1	Engine	[A] 620DSL MF32 Up to Serial or Engine Number 48792
1	D46496700	1	Engine	[A] 620DSL MF32 From Serial or Engine Number 48793
1				[A] SERIAL NUMBER COMBINE HARVESTER

1-HB02-005-B



Item	Part Number	Qty	Description	Comments
				ENGINE 620 DSL
1	V836847275	1	Cylinder Block	
2	V836322610	1	Bush	(1)
3		6	Bearing Carrier	(1) Not serviced, order REF No1
4	V836214478	12	Bush	(3)
5		1	Bearing Carrier	(1) Not serviced, order REF No1
6	V836214478	2	Bush	(5)
7	V529903180	14	Screw	(1)
8	V836647420	6	Liner	
	V836647933	X	Liner	Thickness 9,08
	V836647934	X	Liner	Thickness 9,13
	V836647935	X	Liner	Thickness 9,23
9	V836647502	12	O Ring	[A]
10	V836647503	6	O Ring	[A]
11	V640016016	4	Plug	[A]
12	V640305012	1	Plug	
13	V640016040	2	Plug	
14	V640325110	2	Plug	
15	V615571014	3	Seal	[A]
16	V836120022	1	Connection	
17	V528801380	6	Screw	
18	V836846444	1	Flange	
19	V836322852	1	Gasket	[A]
20	V836119837	1	Union	
21	V836647574	1	Pipe	
22	V528801362	2	Screw	
23	V836647400	1	Cover	Up to Serial or Engine Number H2454
	V836659543	1	Cover	From Serial or Engine Number H2455
24	V836647401	1	Gasket	[A] Up to Serial or Engine Number H2454 From Serial or Engine Number H2455
24	V836659544	1	Gasket	[A] Up to Serial or Engine Number H2454 From Serial or Engine Number H2455
25	V640016018	2	Plug	(1)
26	V640325018	1	Plug	
27	V615881822	2	Seal	[A]
28	V836019756	1	Plug	
29	V836014334	1	Pipe	
30	V836846231	6	Pipe	
31	V836338601	1	Valve	
32	V836852460	2	Bush	(1)
33	V836852459	1	Bush	(1)
34	V836852461	1	Bush	(1)
35	V836852744	1	Plug	
36	V640025010	1	Plug	
37	V615881824	1	Seal	[A]
38	V615881216	1	Gasket	[A]
				[A] INCLUDED IN V836840103

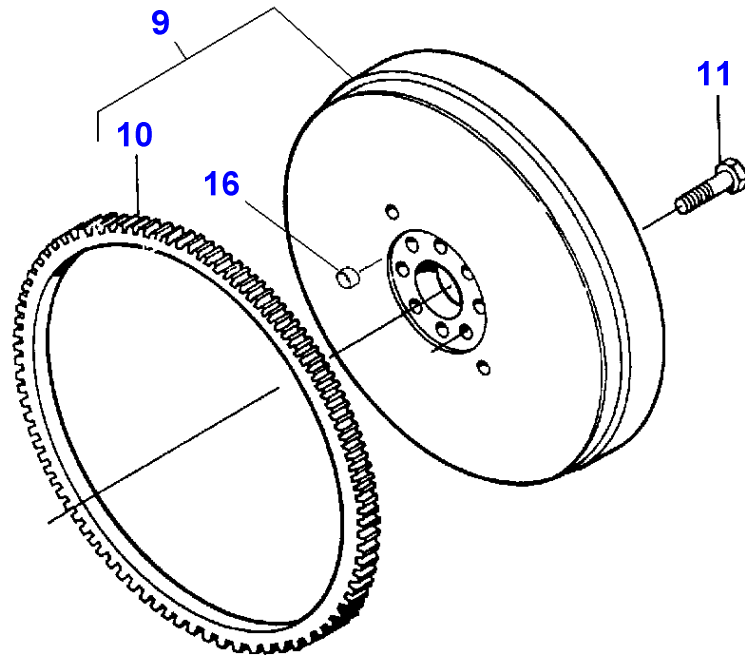
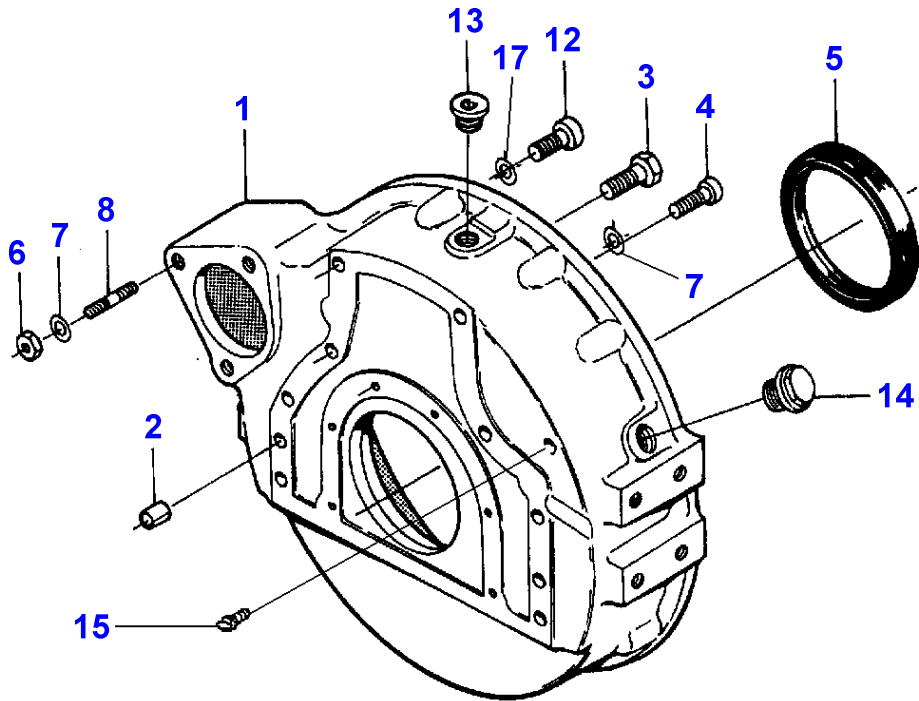
1-HB03-004-D



Item	Part Number	Qty	Description	Comments
				ENGINE 620 DSL
1	V836647407	1	Housing	
2	V836647419	1	Gasket	[A]
3	V528801400	12	Screw	Up to Serial or Engine Number B 4804
	V528801400	10	Screw	From Serial or Engine Number B 4805
4	V546801380	5	Stud	
5	V598359850	4	Pin	
6	V529801440	2	Screw	
7	V836138356	1	Clevis Pin	
8	V836138354	1	Pinion	
9	V836139039	1	Bush	(8)
10	V836129845	1	Flange	
11	V529801910	1	Screw	
12	V529902720	1	Screw	
13	V836647575	1	Cover	
14	V835336796	1	Gasket	[A]
15	V836129782	1	Chock	
16	V614105880	1	Seal	[A]
17	V640325018	1	Plug	
18	V504800800	5	Nut	
19	V581804570	3	Screw	
20	V836136717	1	Cover	
21	V836129946	1	Gasket	[A]
22	V528801420	2	Screw	
23	V529801500	2	Screw	
24	V529801470	3	Screw	
25	V836120989	1	Washer	
26	V529801460	3	Screw	
27	V836847536	1	Marker	
28	V528801362	1	Screw	
29	V836647653	1	Divider	Up to Serial or Engine Number
	V836655232	1	Divider	From Serial or Engine Number
30	V836646387	1	Bearing Housing	(29) Up to Serial or Engine Number
30	V836655230	1	Bearing Housing	(29) From Serial or Engine Number
31	V835336793	1	Joint	
32	V610060094	1	Bearing Assy	(29) Up to Serial or Engine Number
32	V610060090	1	Bearing Assy	(29) From Serial or Engine Number
33	V617330031	1	Circlip	(29)
34	V836120880	1	Gear	(29)
35	V610060090	1	Bearing Assy	
36	V615881822	1	Seal	[A]
37	V529801550	1	Screw	
38	V528801380	2	Screw	From Serial or Engine Number B4805
39	V835328899	1	Chock	[B] Thickness 3MM
39	V836020054	1	Spacer	[C] Thickness 2MM
40	V617330016	1	Circlip	
41	V528801042	1	Screw	Up to Serial or Engine Number
42	V615870610	1	Seal	Up to Serial or Engine Number
43	V835331289	2	Screw	From Serial or Engine Number
44	V615870610	4	Seal	From Serial or Engine Number
45	V836655234	1	Pipe	From Serial or Engine Number
46	V602060612	1	Clamp	From Serial or Engine Number
47	V836119296	1	Sleeve	From Serial or Engine Number
48	V836655233	1	Union	From Serial or Engine Number
49	V615571014	1	Seal	From Serial or Engine Number
50	V529801460	4	Screw	From Serial or Engine Number

[B]
FRONT
[C]
REAR
[A]
INCLUDED IN V836840103

1-HB04-004-B

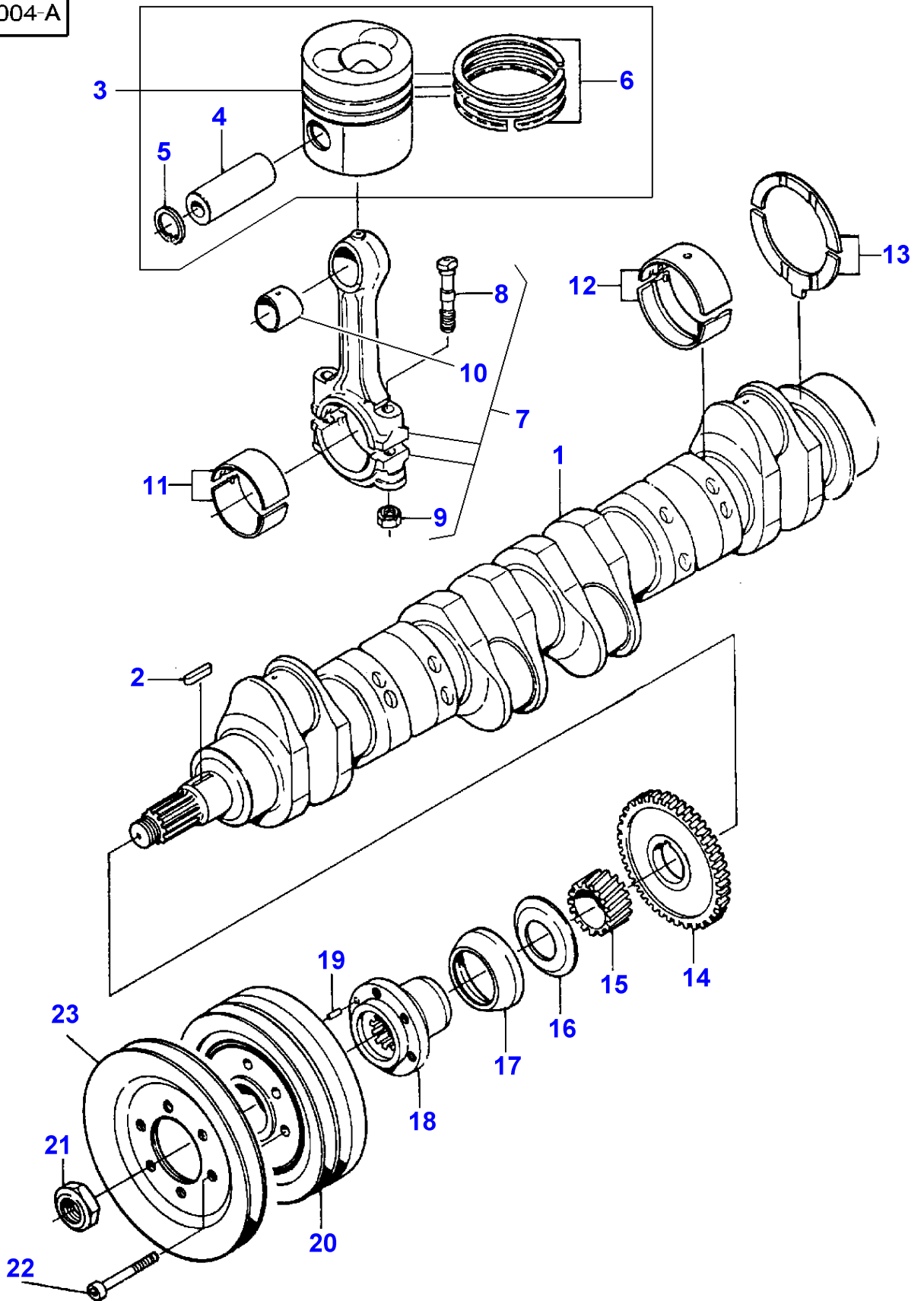


MASSEY FERGUSON**MF 30/31XP/32/34/36/38/40 COMBINE ENGINES, VALMET - 1637219****1637219****FLYWHEEL HOUSING - ENGINE 620 DSL****81**

Item	Part Number	Qty	Description	Comments
				ENGINE 620 DSL
1	V836647440	1	Flywheel Housing	
2	V598359850	2	Pin	
3	V528802220	6	Screw	
4	V581705030	6	Screw	
5	V614500002	1	Seal	[A]
6	V504801002	3	Nut	
7	V500951000	3	Washer	
8	V546801800	3	Stud	
9	V836017912	1	Flywheel	
10	V836117970	1	Annular Gear	(9)
11	V528902230	8	Screw	
12	V581705440	2	Screw	
13	V640325018	1	Plug	
14	V640045126	1	Plug	
15	V836859311	1	Plug	From Serial or Engine Number F 9996
16	V836659527	1	Sleeve	From Serial or Engine Number F 9996
17	V500951200	9	Washer	From Serial or Engine Number F 9996

[A]
INCLUDED IN V836840103

1-HB05-004-A



MASSEY FERGUSON

MF 30/31XP/32/34/36/38/40 COMBINE ENGINES, VALMET - 1637219

1637219

CRANKSHAFT, PISTONS AND CONNECTING RODS - ENGINE 620 DSL

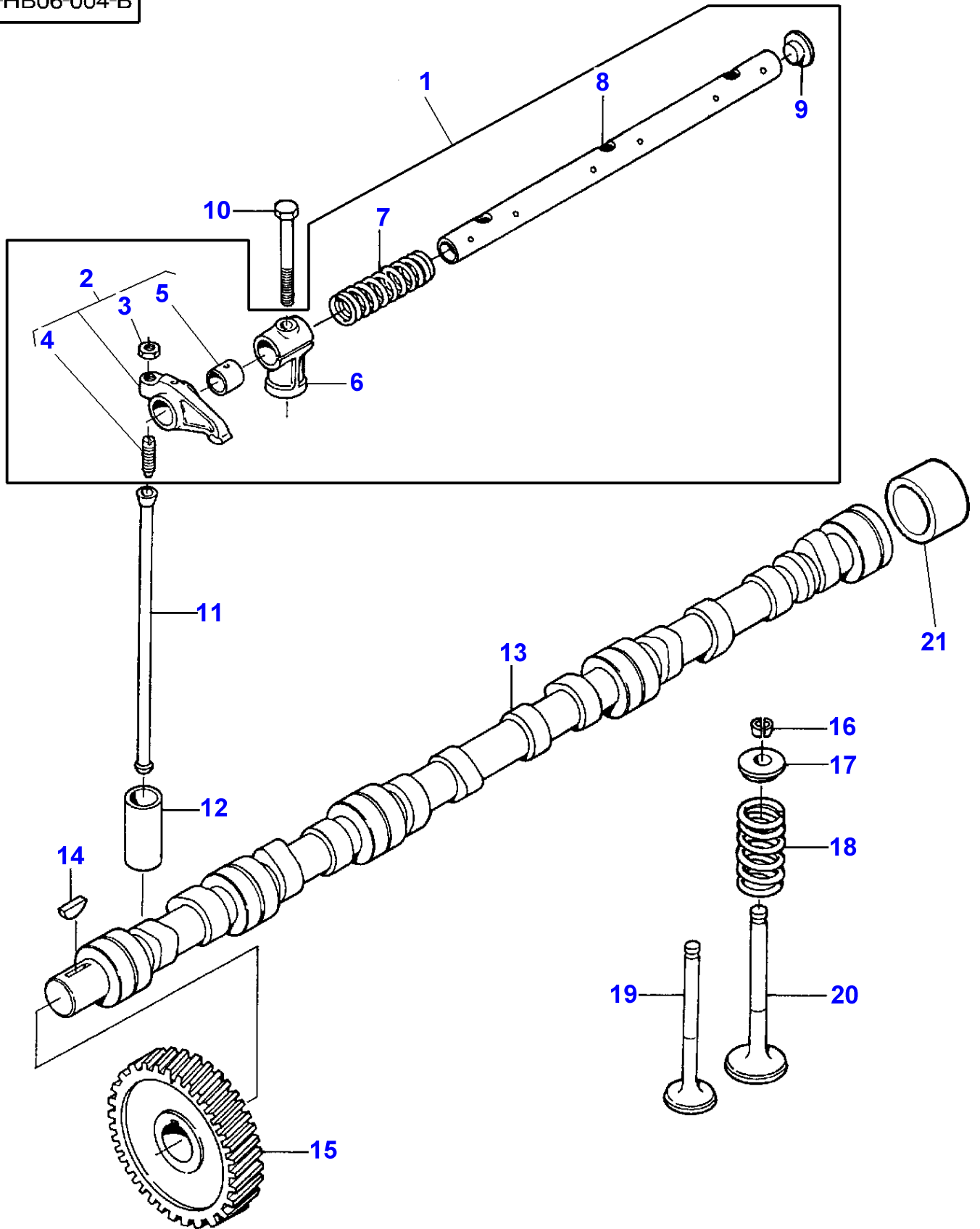
82

Item	Part Number	Qty	Description	Comments
				ENGINE 620 DSL
1	V836847352	1	Crankshaft	
2	V603345110	1	Key	
3	V836640073	6	Piston	
4		1	Piston Pin	(3) Not serviced, order REF.3
5		2	Circlip	(3) Not serviced, order REF No3
6	V836640078	1	Kit, Piston Ring	(3)
7	V836647460	X	Conrod	2150-2169 G "X"
	V836652104	X	Conrod	2170-2189 G "A"
	V836652105	X	Conrod	2190-2209 G "B"
	V836652106	X	Conrod	2210-2229 G "C"
	V836652107	X	Conrod	2230-2249 G "D"
	V836652108	X	Conrod	2250-2269 G "E"
	V836652109	X	Conrod	2270-2289 G "H"
	V836652110	X	Conrod	2290-2309 G "I"
	V836652111	X	Conrod	2310-2329 G "J"
	V836652112	X	Conrod	2330-2349 G "K"
	V836652113	X	Conrod	2350-2369 G "L"
	V836652114	X	Conrod	2370-2389 G "M"
	V836652115	X	Conrod	2390-2409 G "N"
	V836652116	X	Conrod	2410-2429 G "O"
	V836652117	X	Conrod	2430-2449 G "P"
	V836652118	X	Conrod	2450-2469 G "R"
	V836652119	X	Conrod	2470-2489 G "S"
	V836652120	X	Conrod	2490-2509 G "T"
	V836652121	X	Conrod	2510-2529 G 'U'
8	V836646204	2	Screw	(7)
9	V836646205	2	Nut	(7)
10	V836646271	1	Bush	(7)
11	V836110552	6	Bearing	STANDARD Diameter 67,981MM Diameter 68,000MM
11	V836112762	6	Bearing	Thickness (-)0,25MM Diameter 67,731MM Diameter 67,750MM
11	V836112763	6	Bearing	Thickness (-)0,50MM Diameter 67,481MM Diameter 67,500MM
11	V836112765	6	Bearing	Thickness (-)1,00MM Diameter 66,981MM Diameter 67,000MM
11	V836112767	6	Bearing	Thickness (-)1,50MM Diameter 66,481MM Diameter 66,500MM
12	V836655514	7	Bearing	STANDARD Diameter 84,985MM Diameter 85,020MM
12	V836655536	7	Bearing	Thickness (-)0,25MM Diameter 84-735MM Diameter 84,770MM
12	V836655537	7	Bearing	Thickness (-)0,50MM Diameter 84,485MM Diameter 84,520MM
12	V836655538	7	Bearing	Repairs and replaces 3637633M91 Thickness (-)1,00MM Diameter 83,985MM Diameter 84,020mm
12	V836655539	7	Bearing	Repairs and replaces 3637634M91 Thickness (-)1,50MM Diameter 83,485MM Diameter 83,520MM
13	V836119459	2	Chock	Repairs and replaces 3637632M91 STANDARD
13	V836120332	2	Thrust Washer	Replace and repair. Old not interchangeable with new 3637636M1
	V836120333	2	Thrust Washer	Thickness (-)0,1MM
14	V836119550	1	Pinion	Thickness (-)0,2MM

MASSEY FERGUSON**MF 30/31XP/32/34/36/38/40 COMBINE ENGINES, VALMET - 1637219****1637219****CRANKSHAFT, PISTONS AND CONNECTING RODS - ENGINE 620 DSL****82**

Item	Part Number	Qty	Description	Comments
15	V836122840	1	Pinion	
16	V836129781	1	Slinger	
17	V836136271	1	Bush	
18	V836846463	1	Hub	
19	V595953360	1	Pin	
20	V836846440	1	Pulley	
21	V836647310	1	Nut	
22	V581804680	6	Screw	Up to Serial or Engine Number
22	V581804690		Screw	From Serial or Engine Number
23	V836655449	1	Pulley	Repairs and replaces V836129676

1-HB06-004-B



MASSEY FERGUSON**MF 30/31XP/32/34/36/38/40 COMBINE ENGINES, VALMET - 1637219**

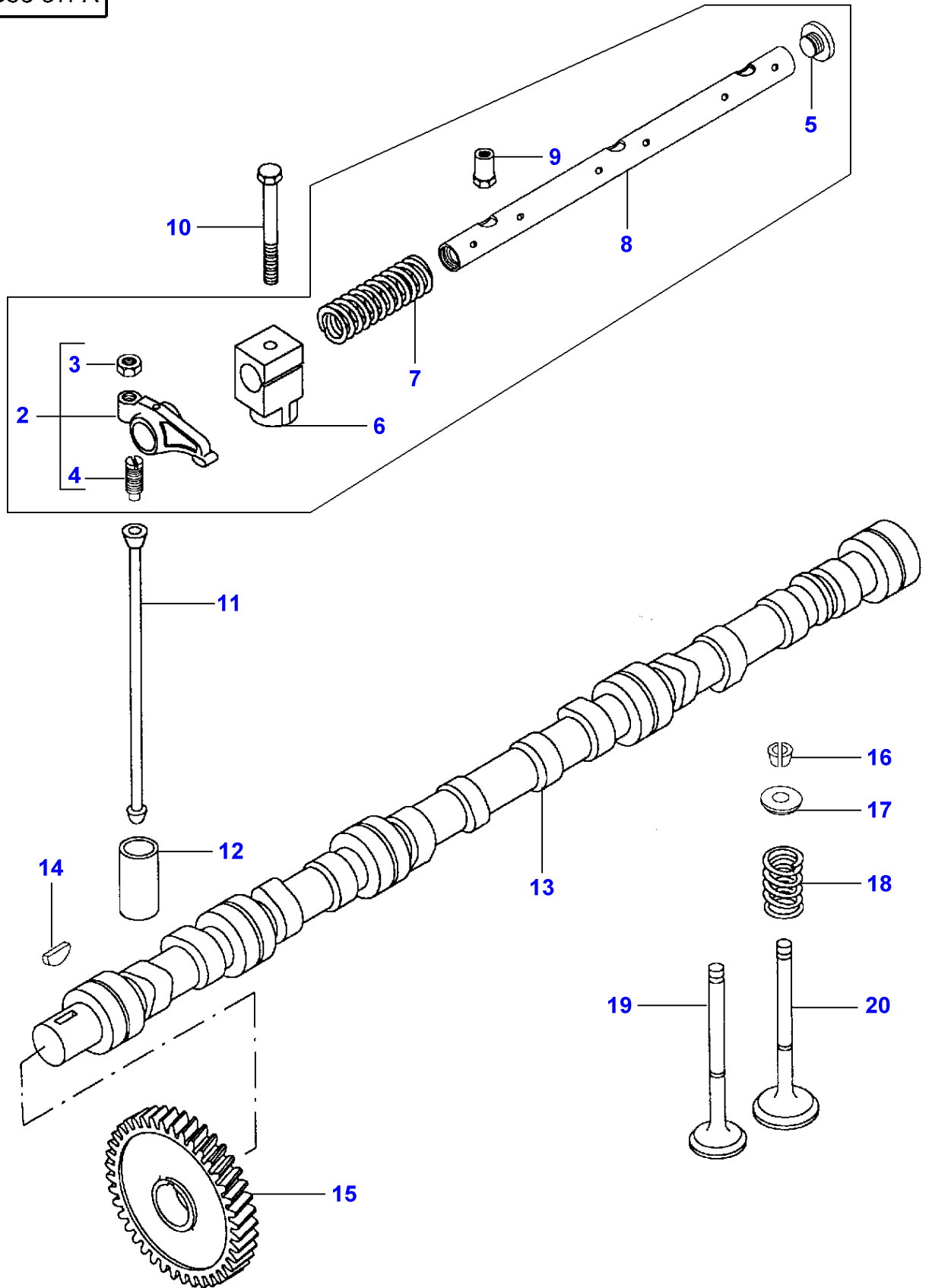
1637219

VALVE MECHANISM - ENGINE 620 DSL - UP TO F 9995

83

Item	Part Number	Qty	Description	Comments
				ENGINE 620 DSL - UP TO F 9995
1	V836646332	2	Rocker Shaft	
2	V835328363	12	Rocker	(1)
3	V504800800	12	Nut	(2)
4	V836010106	12	Screw	(2)
5	V836006586	12	Bush	(2)
6	V836006580	6	Bracket	(1)
7	V836006582	4	Spring	(1)
8	V836646329	2	Shaft	(1)
9	V836646328	4	Plug	(1)
				Up to Serial or Engine Number B 4804
9	V836655113	4	Plug	(1)
				From Serial or Engine Number B 4805
10	V529801910	2	Screw	
11	V836110237	6	Rod	
12	V836014264	6	Tappet	
13	V836846376	1	Camshaft	
14	V603305760	1	Key	
15	V836646389	1	Gear	
16	V836646382	12	Cotter	
17	V836646381	6	Cup	
18	V836646380	6	Spring	
19	V836646357	6	Valve Exhaust	
20	V836646356	6	Valve Inlet	
21	V836324661	X	Bush	Diameter (+) 0,4MM

B-HB06-011-A



MASSEY FERGUSON**MF 30/31XP/32/34/36/38/40 COMBINE ENGINES, VALMET - 1637219**

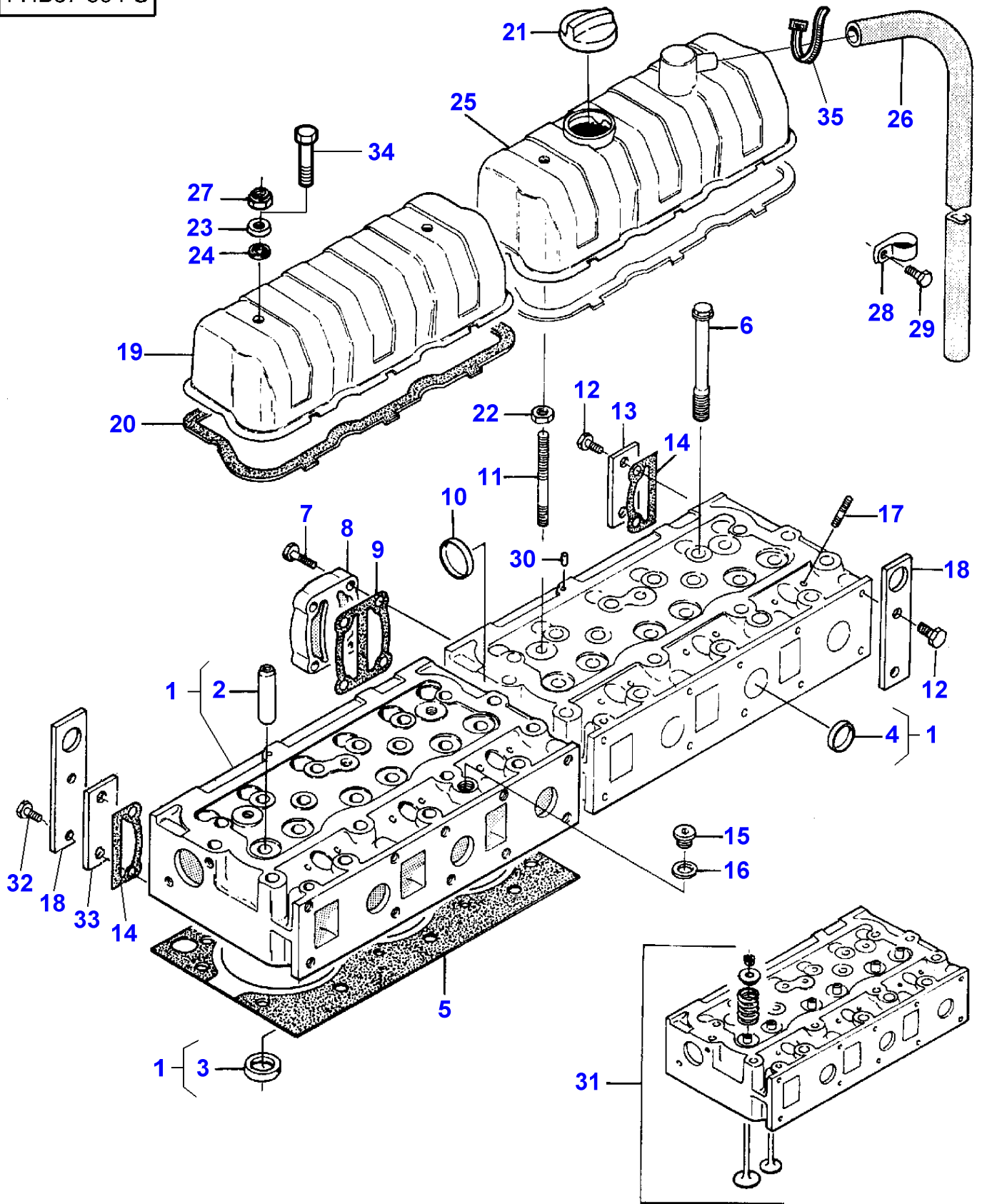
1637219

VALVE MECHANISM - ENGINE 620 DSL - FROM NO F 9996

84

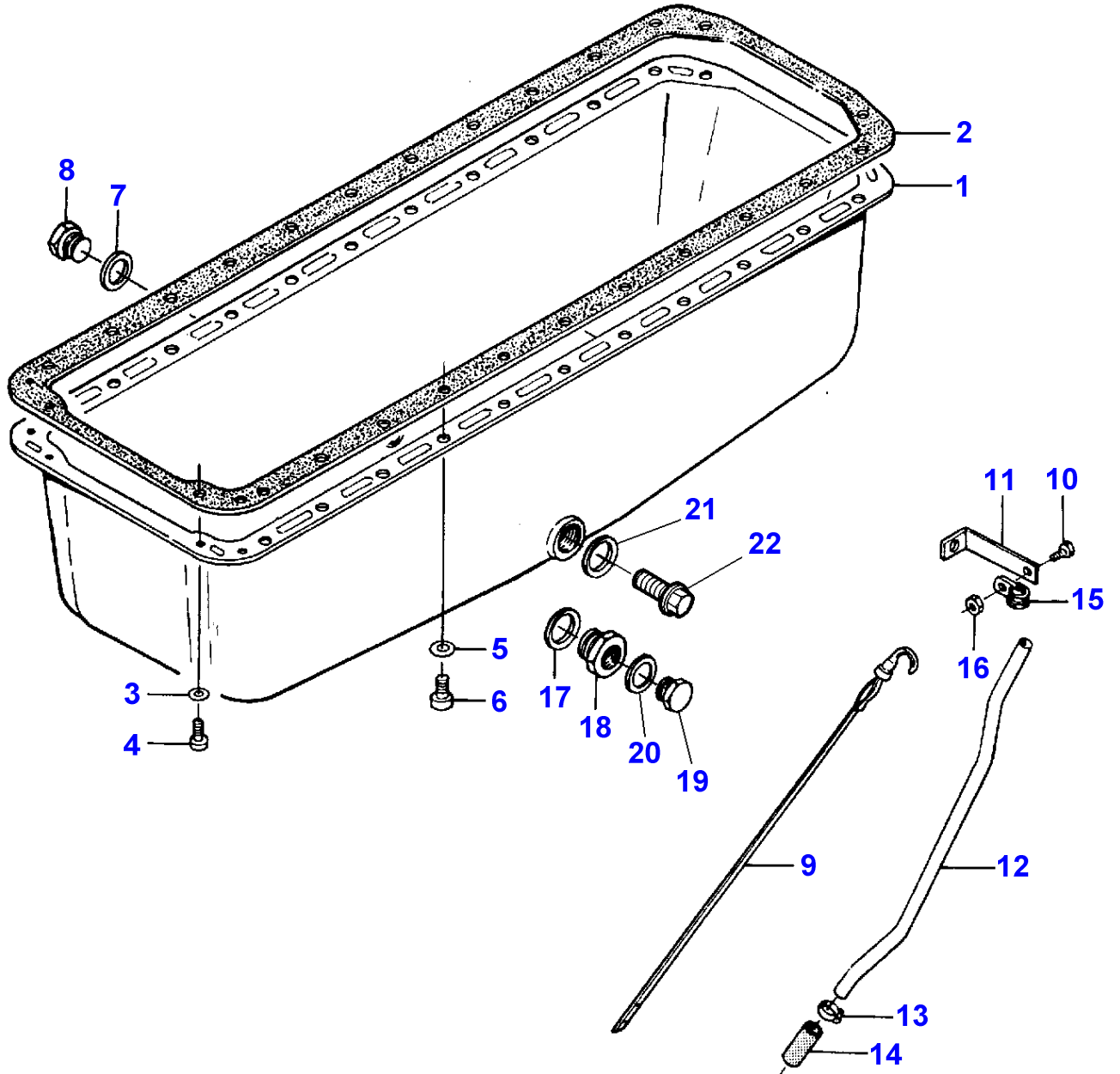
Item	Part Number	Qty	Description	Comments
				ENGINE 620 DSL - FROM NO F 9996
1	V836655911	2	Rocker Shaft	
2	V836655873	12	Rocker	(1)
3	V512861000	12	Nut	(2)
4	V836655866	12	Screw	(2)
5	V836655899	4	Plug	(1)
6	V836655869	6	Bracket	(1)
7	V836655884	4	Spring	(1)
8	V836655870	2	Shaft	(1)
9	V836655406	4	Nut	
10	V836655867	6	Rod	
11	V836014264	6	Tappet	
12	V836846376	1	Camshaft	
13	V603305760	1	Key	
14	V836646389	1	Gear	
15	V836646382	12	Cotter	
16	V836646381	6	Cup	
17	V836646380	6	Spring	
18	V836646357	6	Valve Exhaust	
19	V836646356	6	Valve Inlet	
20	V529801910	2	Screw	

1-HB07-004-C



Item	Part Number	Qty	Description	Comments
				ENGINE 620 DSL
1	V836647046	2	Cylinder Head	Up to Serial or Engine Number D 10478
	V836640897	2	Cylinder Head	From Serial or Engine Number D 10479
2	V836647601	12	Guide	(1) Repairs and replaces V836647304
3	V836647600	6	Kit, Valve	(1) Repairs and replaces V836647091
4	V640016036	10	Plug	(1) Up to Serial or Engine Number D 10478
4	V836647942	10	Plug	(1) From Serial or Engine Number D 10479
5	V836664155	2	Head Gasket	[A] Replace and repair. Old not interchangeable with new V836655740
6	V836859104	34	Screw	Up to Serial or Engine Number F 9995
	V836859104	34	Screw	From Serial or Engine Number F 9996
7	V528801420	4	Screw	Up to Serial or Engine Number D 10478
	V528901830	4	Screw	From Serial or Engine Number D 10479
8	V836847350	1	Spacer	Up to Serial or Engine Number D 10478
	V836855348	1	Spacer	From Serial or Engine Number D 10479
9	V836855418	1	Gasket	[A]
10	V640016045	1	Plug	
11	V836652357	4	Stud	Up to Serial or Engine Number F 9995
	V546801900	4	Stud	From Serial or Engine Number F 9996
12	V528801380	6	Screw	Up to Serial or Engine Number D 10478
	V528801800	4	Screw	From Serial or Engine Number D 10479
13	V836646397	1	Cover	Up to Serial or Engine Number D 10478
	V836855350	1	Plate	From Serial or Engine Number D 10479
14	V836855417	2	Gasket	[A]
15	V640325018	2	Plug	
16	V615881822	2	Seal	[A]
17	V546901435	12	Stud	
18	V836646396	2	Plate	Up to Serial or Engine Number D 10478
	V836859722	2	Plate	From Serial or Engine Number D 10479 Replace and repair. Old not interchangeable with new V836855349
19	V836846448	1	Valve Cover	
20	V836646360	2	Gasket	[A]
21	V836659697	1	Plug	Replace and repair. Old not interchangeable with new V836640091
22	V504801002	4	Nut	Up to Serial or Engine Number F 9995
23	V836119855	4	Washer	
24	V836012841	4	Gasket	[A]
25	V836647210	1	Valve Cover	
26	V836647814	1	Tube	Up to Serial or Engine Number D 10478
	V836647814	1	Tube	From Serial or Engine Number D 10479
27	V510601002	4	Nut	Up to Serial or Engine Number F 9995
28	V602075528	1	Clamp	Up to Serial or Engine Number F 9995
29	V528801760	1	Screw	Up to Serial or Engine Number B 4804
30	V595959140	2	Pin	
31	V836640240	2	Cylinder Head	Up to Serial or Engine Number D 10478
	V836640897	2	Cylinder Head	From Serial or Engine Number D 10479 Replace and repair. Old not interchangeable with new V836640853
32	V528801822	2	Screw	From Serial or Engine Number D 10479
	V528801820	2	Screw	From Serial or Engine Number F 9996 M10X35
33	V836855350	1	Plate	From Serial or Engine Number D 10479
34	V528801780	4	Screw	From Serial or Engine Number F 9996
35	V835329746	1	Clamp	From Serial or Engine Number F 9996
				[A] INCLUDED IN V836840102

1-HB10-006-B



MASSEY FERGUSON**MF 30/31XP/32/34/36/38/40 COMBINE ENGINES, VALMET - 1637219**

1637219

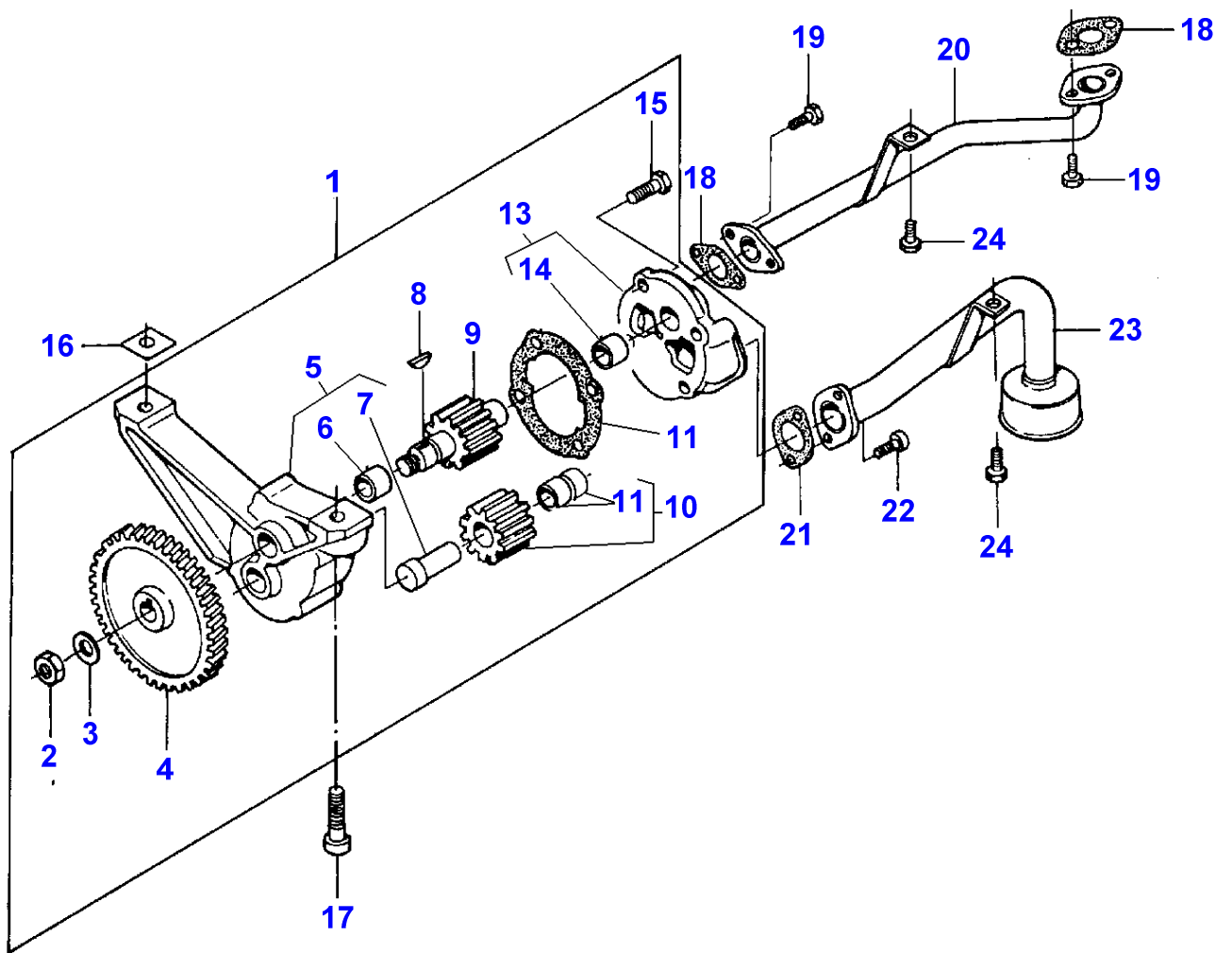
LUBRICATING OIL SUMP - ENGINE 620 DSL

86

Item	Part Number	Qty	Description	Comments
				ENGINE 620 DSL
1	V836347308	1	Sump	Up to Serial or Engine Number B 4804
	V836347308	1	Sump	From Serial or Engine Number B 4805
2	V836322538	1	Gasket	[A]
3	V500950800	6	Washer	
4	V581804600	4	Screw	
5	V500951000	24	Washer	
6	V581805000	24	Screw	
7	V836655490	1	Seal	[A]
				Repairs and replaces V615881620
8	V836655492	1	Plug	Repairs and replaces V836119079
9	V836338940	1	Dipstick	
10	V528801362	1	Screw	Up to Serial or Engine Number B 4804
	V528801380	1	Screw	From Serial or Engine Number B 4805
11	V836652081	1	Support	Repairs and replaces V836647533
12	V836324670	1	Pipe	
13	V602063617	2	Clamp	
14	V836119994	1	Hose	
15	V602060612	1	Clamp	
16	V504800800	1	Nut	
17	V615892429	1	Ring	Up to Serial or Engine Number B 4804
18	V836122820	1	Union	Up to Serial or Engine Number B 4804
19	V836119079	1	Plug	Up to Serial or Engine Number B 4804
20	V615881620	1	Seal	Up to Serial or Engine Number B 4804
21	V615882227	1	Gasket	[A]
				From Serial or Engine Number B 4805
22	V640045022	1	Plug	From Serial or Engine Number B 4805

[A]
INCLUDED IN V836840103

1-HB11-004-B



MASSEY FERGUSON**MF 30/31XP/32/34/36/38/40 COMBINE ENGINES, VALMET - 1637219**

1637219

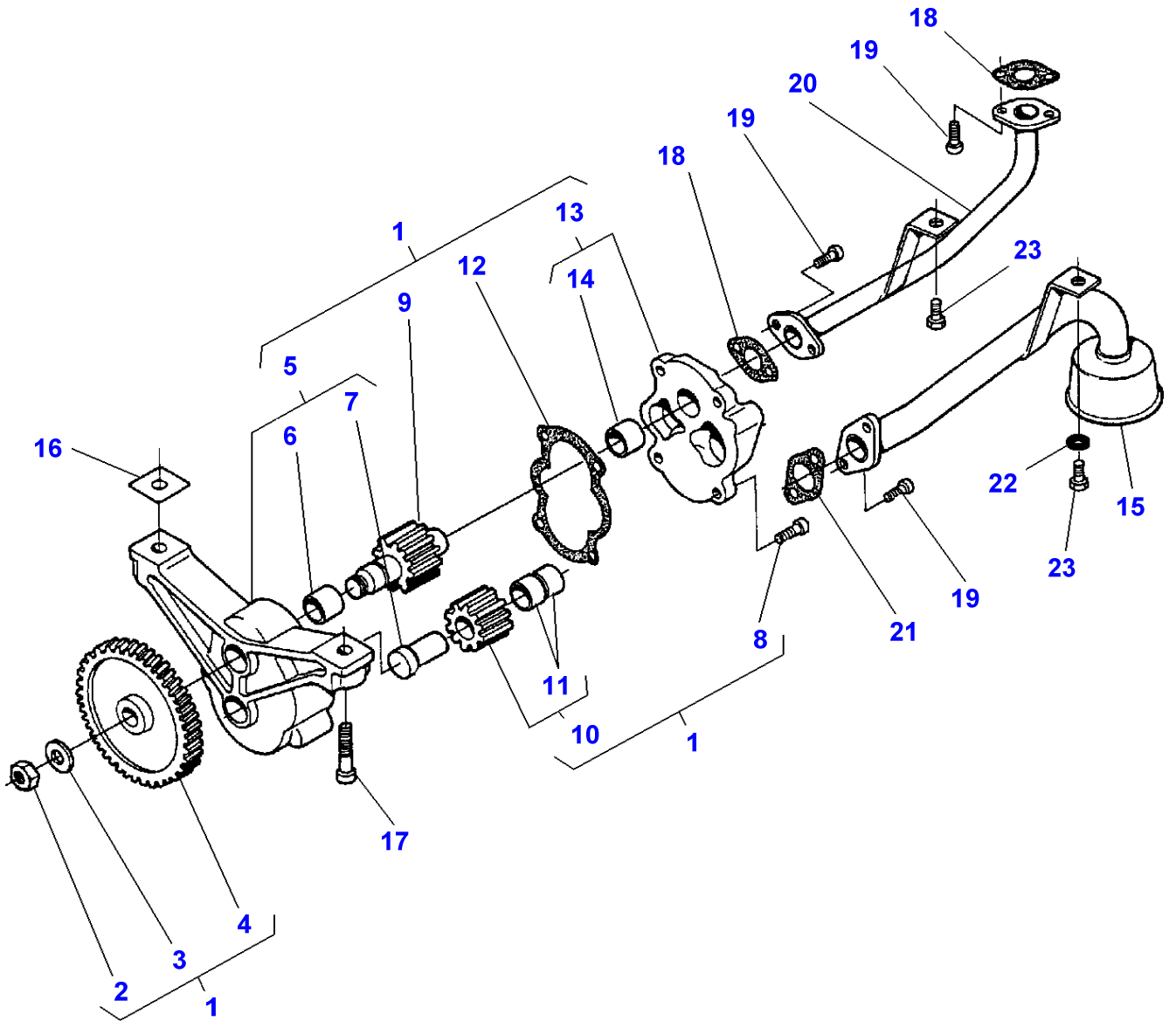
LUBRICATING OIL PUMP - ENGINE 620 DSL UP TO NO H 6737

87

Item	Part Number	Qty	Description	Comments
				ENGINE 620 DSL UP TO NO H 6737
1	V836852607	1	Oil Pump	Repairs and replaces V836322243
2	V504861000	1	Nut	(1)
3	V836122910	1	Washer	(1)
4	V836112362	1	Gear	(1)
4	V836338667	1	Gear	Up to Serial or Engine Number C 1132 (1) From Serial or Engine Number C 1133
5	V836322237	1	Housing	(1)
6	V836322909	1	Bush	(5)
7	V836322906	1	Shaft	(5)
8	V603305530	1	Key	(1)
9	V836322241	1	Pinion	Up to Serial or Engine Number C 1132 (1)
9	V836852601	1	Pinion	Up to Serial or Engine Number C 1132 (1) From Serial or Engine Number C 1133
10	V836322908	1	Pinion	(1)
11	V836322909	2	Bush	(10)
12	V836119796	1	Gasket	[A] (1)
13	V836322238	1	Cover	(1)
14	V836322909	1	Bush	(13)
15	V528801380	4	Screw	(1)
16	V836007871	X	Shim	
17	V581805050	2	Screw	
18	V836008449	2	Gasket	[A]
19	V528801380	4	Screw	
20	V836846445	1	Pipe	
21	V836122282	1	Gasket	[A]
22	V581804620	2	Screw	
23	V836847543	1	Pipe	
24	V528801362	2	Screw	

[A]
INCLUDED IN V836840103

D-HB11-002-A



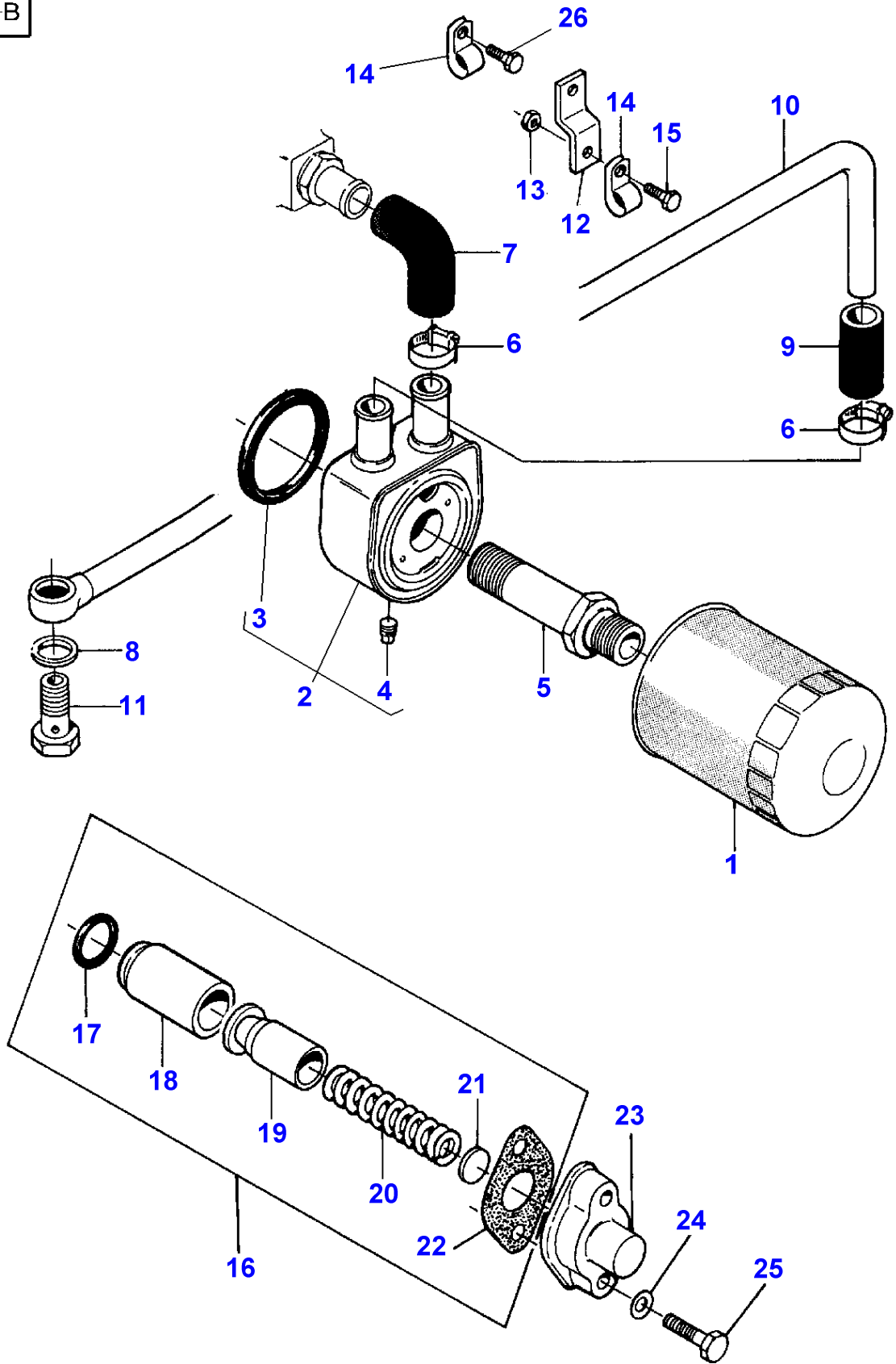
MASSEY FERGUSON**MF 30/31XP/32/34/36/38/40 COMBINE ENGINES, VALMET - 1637219**

1637219

LUBRICATING OIL PUMP - ENGINE 620 DSL FROM NO H 6738**88**

Item	Part Number	Qty	Description	Comments
				ENGINE 620 DSL FROM NO H 6738
1	V836855300	1	Oil Pump	
2	V504861000	1	Nut	(1)
3	V836122910	1	Washer	(1)
4	V836338667	1	Gear	(1)
5	V836338186	1	Housing	(1)
6	V836322909	1	Bush	(5)
7	V836322906	1	Shaft	(5)
8	V528801380	4	Screw	(1)
9	V836338182	1	Gear	(1)
10	V836338180	1	Gear	(1)
11	V836322909	2	Bush	(10)
12	V836338188	1	Gasket	(1)
13	V836855297	1	Cover	(1)
14	V836322909	1	Bush	(13)
15	V836855674	1	Strainer	
16	V836007871	X	Shim	
17	V581805050	2	Screw	
18	V836008449	2	Gasket	
19	V581804600	6	Screw	
20	V836859666	1	Pipe,Oil	
21	V836338201	1	Gasket	
22	V500150840	1	Washer	
23	V528801360	1	Screw	

1-HB12-004-B



MASSEY FERGUSON**MF 30/31XP/32/34/36/38/40 COMBINE ENGINES, VALMET - 1637219**

1637219

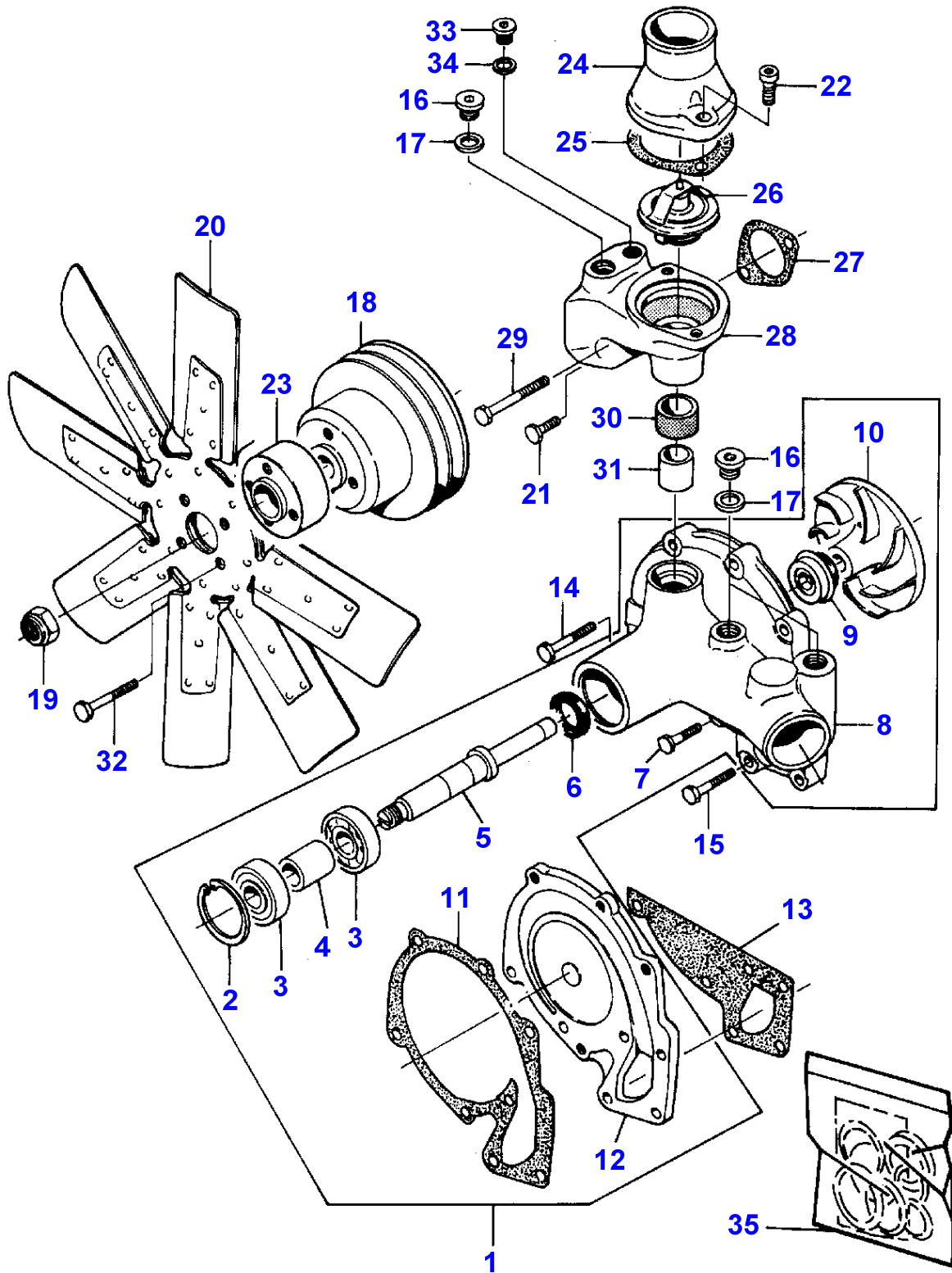
LUBRICATING OIL COOLER - ENGINE 620 DSL

89

Item	Part Number	Qty	Description	Comments
				ENGINE 620 DSL
1	V836662111	1	Filter	
2	V836129315	1	Oil Cooler	
3	V835331586	1	Ring	(2)
4	V640025006	1	Plug	(2)
5	V836647405	1	Union	
6	V602079516	4	Clamp	
7	V836747124	1	Hose	
8	V615881822	2	Seal	[A]
9	V836129978	1	Hose	
10	V836847929	1	Pipe	
11	V640435015	1	Screw	
12	V836847930	1	Support	Up to Serial or Engine Number B 4804
13	V504800800	1	Nut	Up to Serial or Engine Number B 4804
14	V602074615	1	Clamp	
15	V528801380	1	Screw	Up to Serial or Engine Number B 4804
16	V835340042	1	Control Valve	Up to Serial or Engine Number B4805
	V836840851	1	Pressure Valve	From Serial or Engine Number F9996
17	V614601524	1	O Ring	(16)
18	V836117834	1	Cylinder	(16)
19	V836338850	1	Piston	(16)
20	V836655246	1	Spring	(16)
				Repairs and replaces V836117836
21	V836020290	1	Washer	(16)
22	V836322190	1	Gasket	(16)
23	V836129849	1	Cover	
24	V500950800	2	Washer	
25	V528801420	2	Screw	
26	V529801480	1	Screw	

[A]
INCLUDED IN V836840103

1-HB13-004-A



MASSEY FERGUSON**MF 30/31XP/32/34/36/38/40 COMBINE ENGINES, VALMET - 1637219**

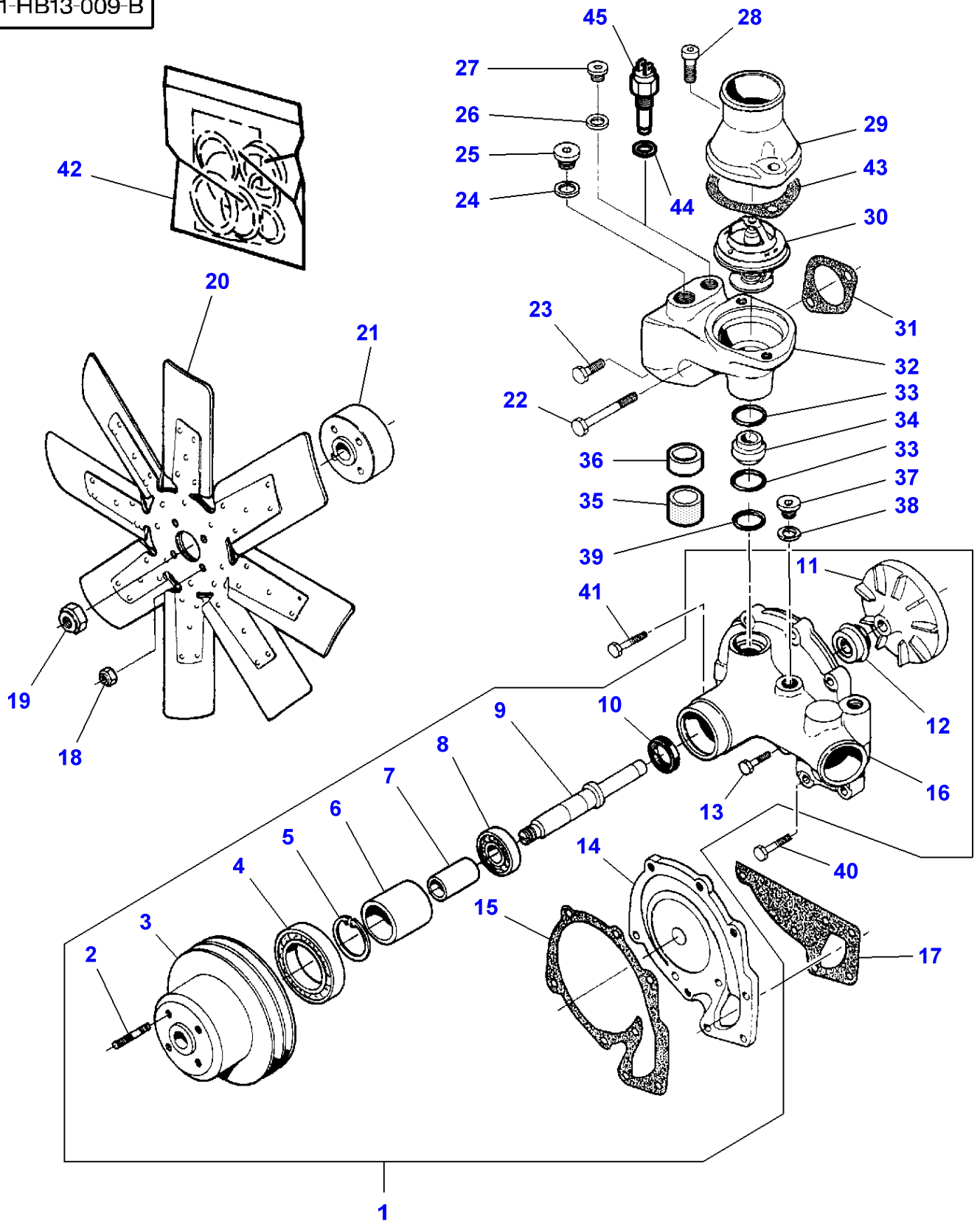
1637219

WATER PUMP - ENGINE 620 DSL - UP TO B 4804

90

Item	Part Number	Qty	Description	Comments
				ENGINE 620 DSL - UP TO B 4804
1	V836847465	1	Water Pump	[A, B] Diameter 635MM
2	V617330052	1	Circlip	(1)
3	V610063044	2	Bearing Assy	(1)
4	V836119270	1	Sleeve	(1)
5	V836847467	1	Shaft	(1)
6	V614102636	1	Gasket	(1)
7	V529801420	4	Screw	(1)
8	V836847466	1	Housing	(1)
9	V835339425	1	Gasket	(1)
10	V836846303	1	Impeller	(1)
11	V836846304	1	Gasket	(1)
12	V836846302	1	Flange	(1)
13	V836846305	1	Gasket	
14	V529801460	3	Screw	
15	V529801440	2	Screw	
16	V640325018	3	Plug	
17	V615881822	3	Seal	
18	V836847486	1	Pulley	
19	V510611602	1	Nut	
20	V836331367	1	Fan	[B] Diameter 635MM
21	V528801400	1	Screw	
22	V581805020	2	Screw	
23	V836847538	1	Spacer	[B] 40MM
24	V836846432	1	Pipe	
25	V836119849	1	Gasket	
26	V836115646	1	Thermostat	
27	V836646393	1	Gasket	
28	V836846370	1	Housing	
29	V529801500	1	Screw	
30	V836646409	1	Gasket	
31	V836646408	1	Pipe	
32	V529801480	4	Screw	
33	V640325014	1	Plug	
34	V615881418	1	Seal	
35	V836840101	1	Kit, Repair	[B] 150HP [A] 175HP

1-HB13-009-B



MASSEY FERGUSON

MF 30/31XP/32/34/36/38/40 COMBINE ENGINES, VALMET - 1637219

1637219

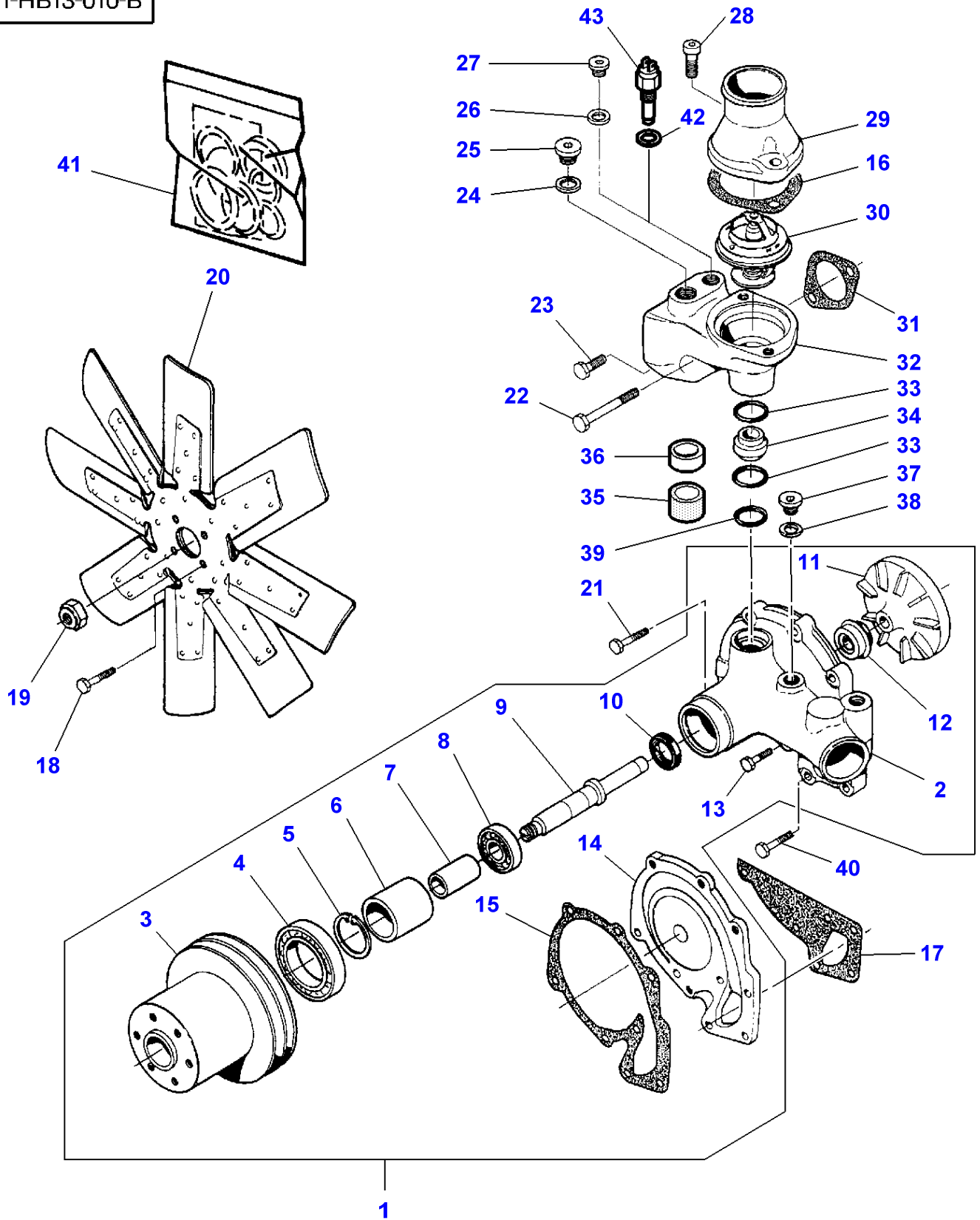
WATER PUMP - ENGINE 620 DSL - FROM NO B 4805 - MF 30 ONLY

91

Item	Part Number	Qty	Description	Comments
				ENGINE 620 DSL - FROM NO B 4805 - MF 30 ONLY
1	V836852574	1	Water Pump	Diameter 585MM
2	V546801450	4	Stud	(1)
3	V836847485	1	Pulley	(1)
4	V610060124	1	Bearing	[D] (1)
5	V617330052	1	Circlip	[D] (1)
6	V836336318	1	Sleeve	(1)
7	V836336317	1	Spacer	[D] (1)
8	V610063044	1	Bearing Assy	[D] (1)
9	V836847467	1	Shaft	(1)
10	V614102636	1	Gasket	[D] (1)
11	V836846303	1	Impeller	(1)
12	V835339425	1	Gasket	[D] (1)
13	V529801420	4	Screw	(1)
14	V836846302	1	Flange	(1)
15	V836846304	1	Gasket	[D, E] (1)
16	V836847466	1	Housing	(1)
17	V836846305	1	Gasket	[D, E]
18	V510600802	4	Nut	
19	V510611602	1	Nut	[D]
20	V836316108	1	Fan	Diameter 585 MM
21	V836336900	1	Spacer	Thickness 30MM
22	V529801500	1	Screw	
23	V528801400	1	Screw	
24	V615881822	1	Seal	[E, C]
25	V640325018	1	Plug	
26	V615881418	1	Seal	[C]
27	V640325014	1	Plug	
28	V581805020	1	Screw	
29	V836846432	1	Pipe	
30	V836115646	1	Thermostat	[B]
	V836115718	1	Thermostat	[A]
31	V836646393	1	Gasket	[C]
32	V836846370	1	Housing	
33	V614602950	2	O Ring	[C] From Serial or Engine Number D 3532
34	V836855150	1	Pipe	From Serial or Engine Number D 3532
35	V836646408	1	Pipe	Up to Serial or Engine Number D 3531
36	V836646409	1	Gasket	Up to Serial or Engine Number D 3531
37	V640325018	1	Plug	
38	V615881822	2	Seal	[E]
39	V614602950	2	O Ring	[C, D]
40	V529801440	2	Screw	
41	V529801460	3	Screw	
42	V836840627	1	Kit, Repair	
43	V836119849	1	Gasket	[C]
44	V615881418	1	Seal	
45	V654271208	1	Sensor	

[A]
OPENS AT 83 DEGREES
[B]
OPENS AT 79 DEGREES
[C]
INCLUDED IN V836840102
[E]
INCLUDED IN V836840103
[D]
INCLUDED IN REPAIR KIT V836840627

1-HB13-010-B



MASSEY FERGUSON

MF 30/31XP/32/34/36/38/40 COMBINE ENGINES, VALMET - 1637219

1637219

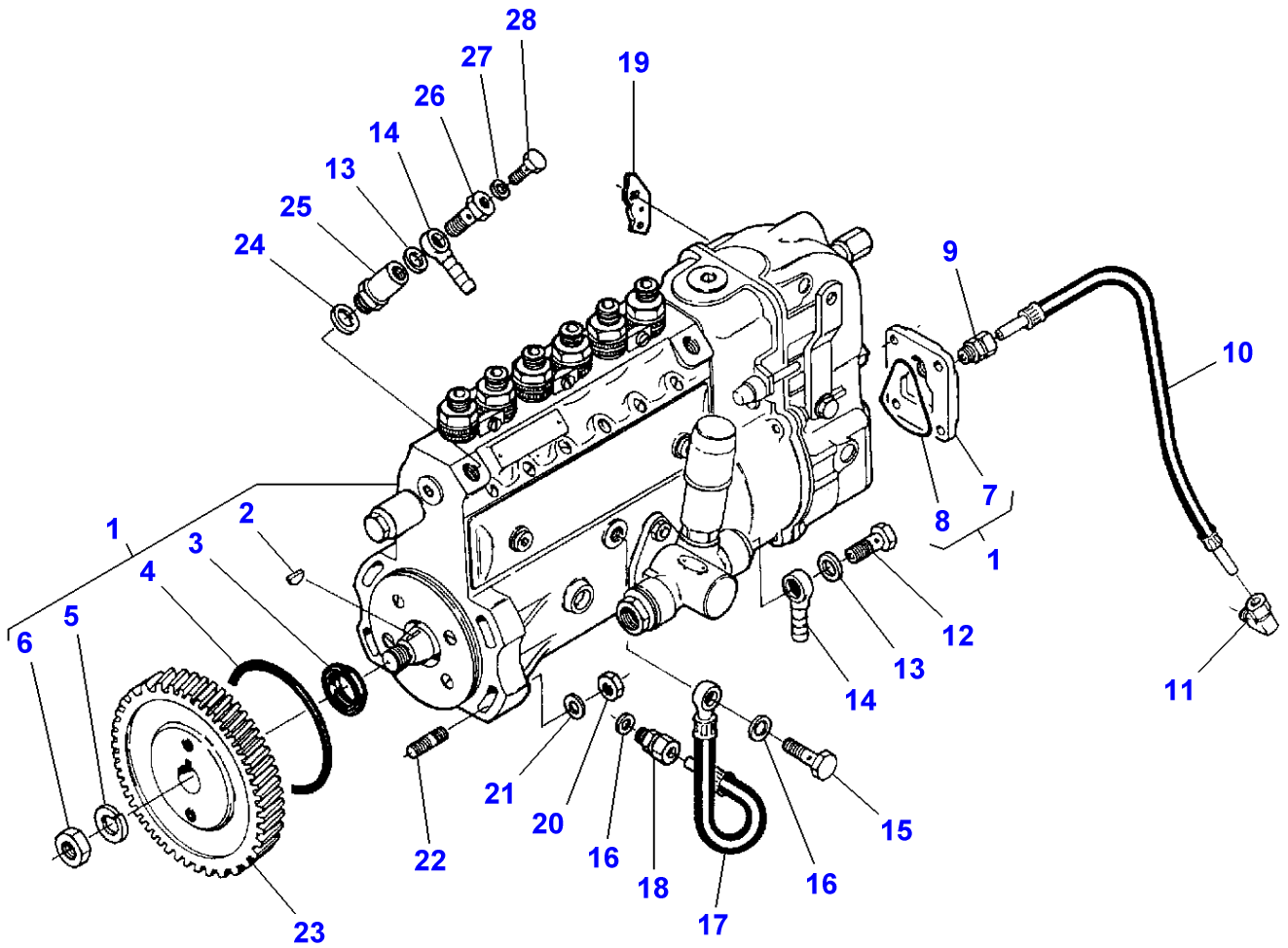
WATER PUMP - ENGINE 620 DSL - FROM NO B 4805 - MF 32 ONLY

92

Item	Part Number	Qty	Description	Comments
				ENGINE 620 DSL - FROM NO B 4805 - MF 32 ONLY
1	V836852276	1	Water Pump	Diameter 685MM
2	V836847466	1	Housing	(1)
3	V836852275	1	Pulley	(1)
4	V610060124	1	Bearing	[D] (1)
5	V617330052	1	Circlip	[D] (1)
6	V836336318	1	Sleeve	(1)
7	V836336317	1	Spacer	[D] (1)
8	V610063044	1	Bearing Assy	[D] (1)
9	V836847467	1	Shaft	(1)
10	V614102636	1	Gasket	[D] (1)
11	V836846303	1	Impeller	(1)
12	V835339425	1	Gasket	[D] (1)
13	V529801420	4	Screw	(1)
14	V836846302	1	Flange	(1)
15	V836846304	1	Gasket	[D, E] (1)
16	V836119849	1	Gasket	[C]
17	V836846305	1	Gasket	[D, E]
18	V528801810	6	Screw	
19	V510611602	1	Nut	[D]
20	V836340273	1	Fan	
21	V529801460	3	Screw	
22	V529801500	1	Screw	
23	V528801400	1	Screw	
24	V615881822	1	Seal	[C]
25	V640325018	1	Plug	
26	V615881418	1	Seal	[C]
27	V640325014	1	Plug	
28	V581805020	1	Screw	
29	V836846432	1	Pipe	
30	V836115646	1	Thermostat	[B]
	V836115718	1	Thermostat	[A]
31	V836646393	1	Gasket	[C]
32	V836846370	1	Housing	
33	V614602950	2	O Ring	[C] From Serial or Engine Number D 3532
34	V836855150	1	Pipe	From Serial or Engine Number D 3532
35	V836646408	1	Pipe	Up to Serial or Engine Number D 3531
36	V836646409	1	Gasket	Up to Serial or Engine Number D 3531
37	V640325018	2	Plug	
38	V615881822	2	Seal	[E]
39	V614602950	2	O Ring	[D, C]
40	V529801440	2	Screw	
41	V836840627	1	Kit, Repair	
42	V615881418	1	Seal	
43	V654271208	1	Sensor	

[A]
OPENS AT 83 DEGREES
[B]
OPENS AT 79 DEGREES
[C]
INCLUDED IN V836840102
[E]
INCLUDED IN V836840103
[D]
INCLUDED IN REPAIR KIT V836840627

1-HB14-004-A



MASSEY FERGUSON

MF 30/31XP/32/34/36/38/40 COMBINE ENGINES, VALMET - 1637219

1637219

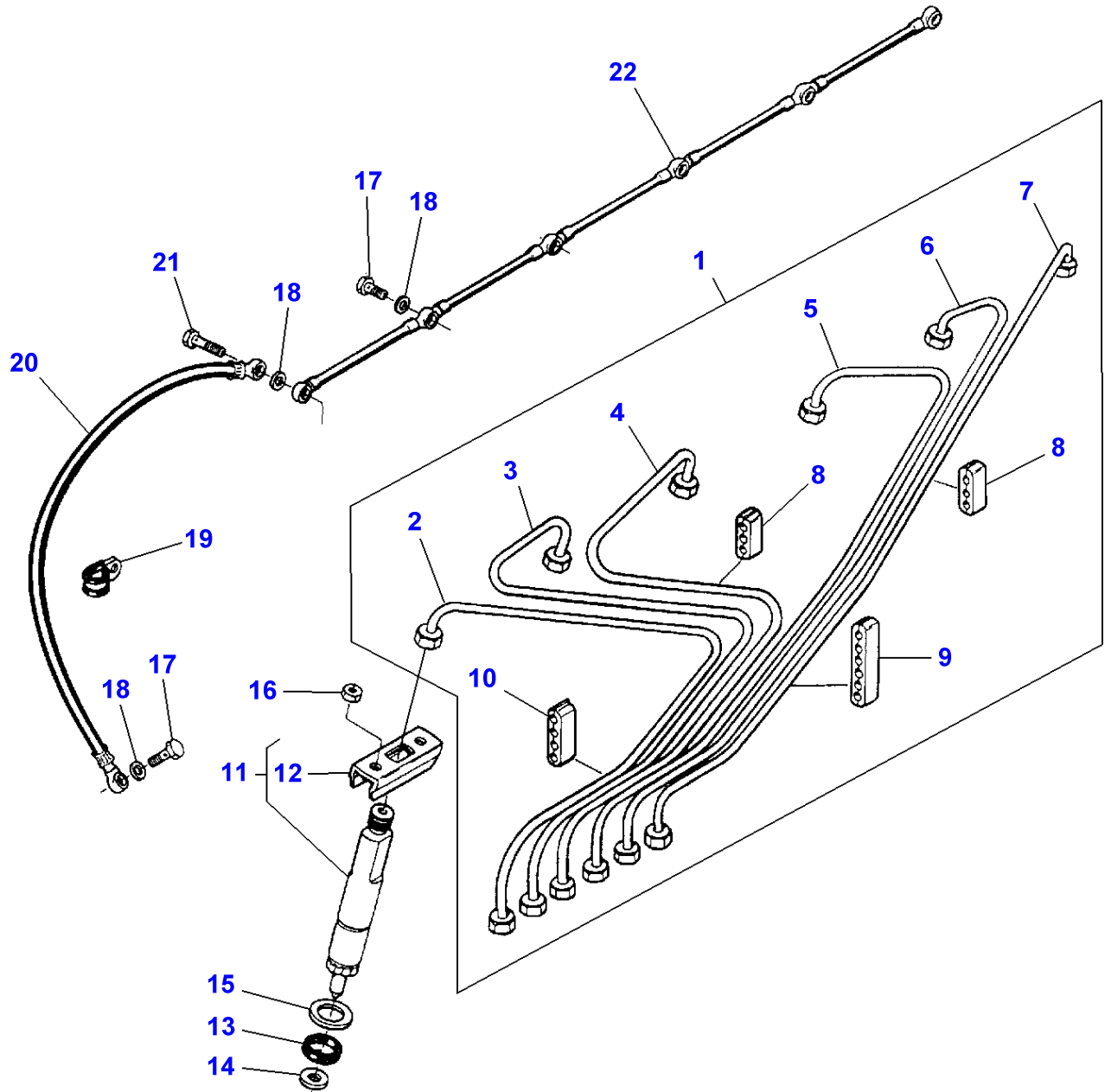
INJECTION PUMP - ENGINE 620 DSL

93

Item	Part Number	Qty	Description	Comments
				ENGINE 620 DSL
1	V836839976	1	Injection Pump	MF 30 150HP Up to Serial or Engine Number A 4804
1	V836340389	1	Injection Pump	MF 30 150HP From Serial or Engine Number A 4805
1	V836339977	1	Injection Pump	MF 32 175HP Up to Serial or Engine Number A 3452
1	V836340388	1	Injection Pump	MF 32 175HP From Serial or Engine Number A 3453 Repairs and replaces V836840195
2	V603305540	1	Key	(1)
3	V614102030	1	Seal	(1)
4	V614607930	1	O Ring	[A] (1)
5	V500451402	1	Washer	(1)
6	V504611400	1	Nut	(1)
7	V835331499	1	Cover	(1)
8	V835339026	1	Gasket	(1)
9	V641016008	1	Union	
10	V835347511	1	Hose	
11	V641176008	1	Elbow Nipple	
12	V640435010	1	Screw	
13	V615881418	4	Seal	[A]
14	V640255210	2	Pipe	
15	V640435006	1	Screw	
16	V615571014	3	Seal	[A]
17	V835346666	1	Pipe	
18	V641086006	1	Connection	
19	V835347344	1	Lever	
20	V504801002	4	Nut	
21	V500151050	4	Washer	
22	V546801815	4	Stud	
23	V836129843	1	Gear	Up to Serial or Engine Number G3650
	V836659290	1	Gear	From Serial or Engine Number G3651
24	V615881420	1	Gasket	[A]
25	V836330959	1	Valve	
26	V835336944	1	Screw	
27	V615570812	2	Gasket	[B]
28	V835331289	1	Screw	

[B]
INCLUDED IN V836840102
[A]
INCLUDED IN V836840103

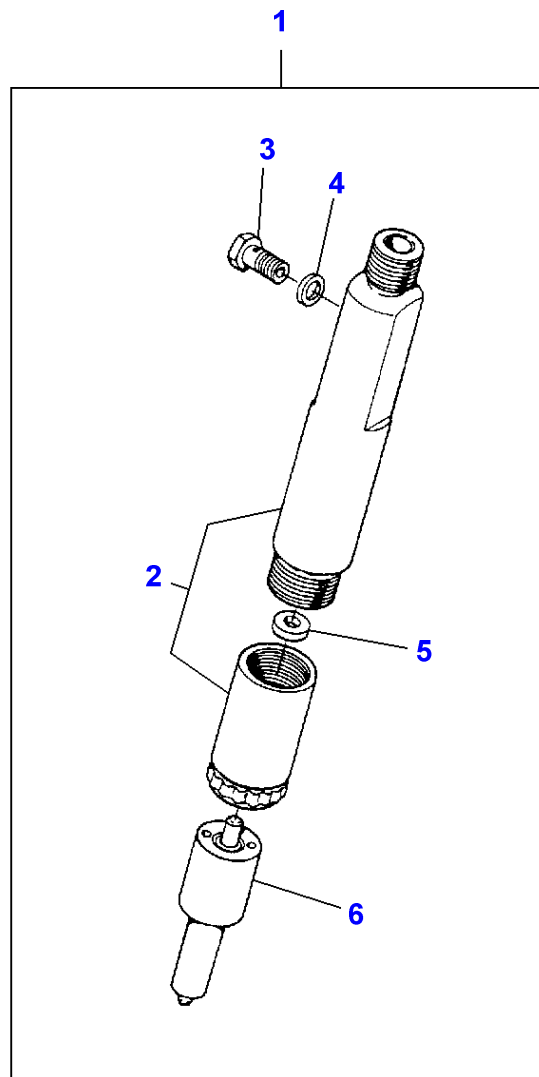
1-HB16-008-A



Item	Part Number	Qty	Description	Comments
				ENGINE 620 DSL
1	V836847232	1	Kit, Pipe	Up to Serial or Engine Number F 6175
	V836852330	1	Kit, Pipe	From Serial or Engine Number F 6176
2	V836847412	1	Injection Pipe	(1) CYL NO 1 Up to Serial or Engine Number F 6175
2	V836840647	1	Injection Pipe	(1) From Serial or Engine Number F 6176
3	V836847413	1	Injection Pipe	(1) CYL NO 2 Up to Serial or Engine Number F 6175
3	V836840648	1	Injection Pipe	(1) From Serial or Engine Number F 6176
4	V836847414	1	Injection Pipe	(1) CYL NO 3 Up to Serial or Engine Number F 6175
4	V836840649	1	Injection Pipe	(1) From Serial or Engine Number F 6176
5	V836847415	1	Injection Pipe	(1) CYL NO 4 Up to Serial or Engine Number F 6175
5	V836840650	1	Injection Pipe	(1) From Serial or Engine Number F 6176
6	V836847416	1	Injection Pipe	(1) CYL NO 5 Up to Serial or Engine Number F 6175
6	V836840651	1	Injection Pipe	(1) From Serial or Engine Number F 6176
7	V836847417	1	Injection Pipe	(1) CYL NO 6 Up to Serial or Engine Number F 6175
7	V836840652	1	Injection Pipe	(1) From Serial or Engine Number F 6176
8	V836640095	2	Clamp	(1)
9	V836640097	1	Clamp	(1)
10	V836640096	1	Clamp	(1)
11	V836639956	6	Atomiser	See Page - Reference Number 95/1
12	V835331103	1	Retainer	(11)
13	V835336276	6	Seal	[A]
14	V899901495	6	Washer	[A]
15	V836652170	6	Washer	
16	V504800800	12	Nut	
17	V835331289	5	Screw	
18	V615870710	13	Seal	[A]
19	V602069813	1	Clamp	Up to Serial or Engine Number F 9995
	V602060612	1	Clamp	From Serial or Engine Number F 9996
20	V836652377	1	Pipe	
21	V835336943	1	Screw	
22	V836847522	1	Pipe	

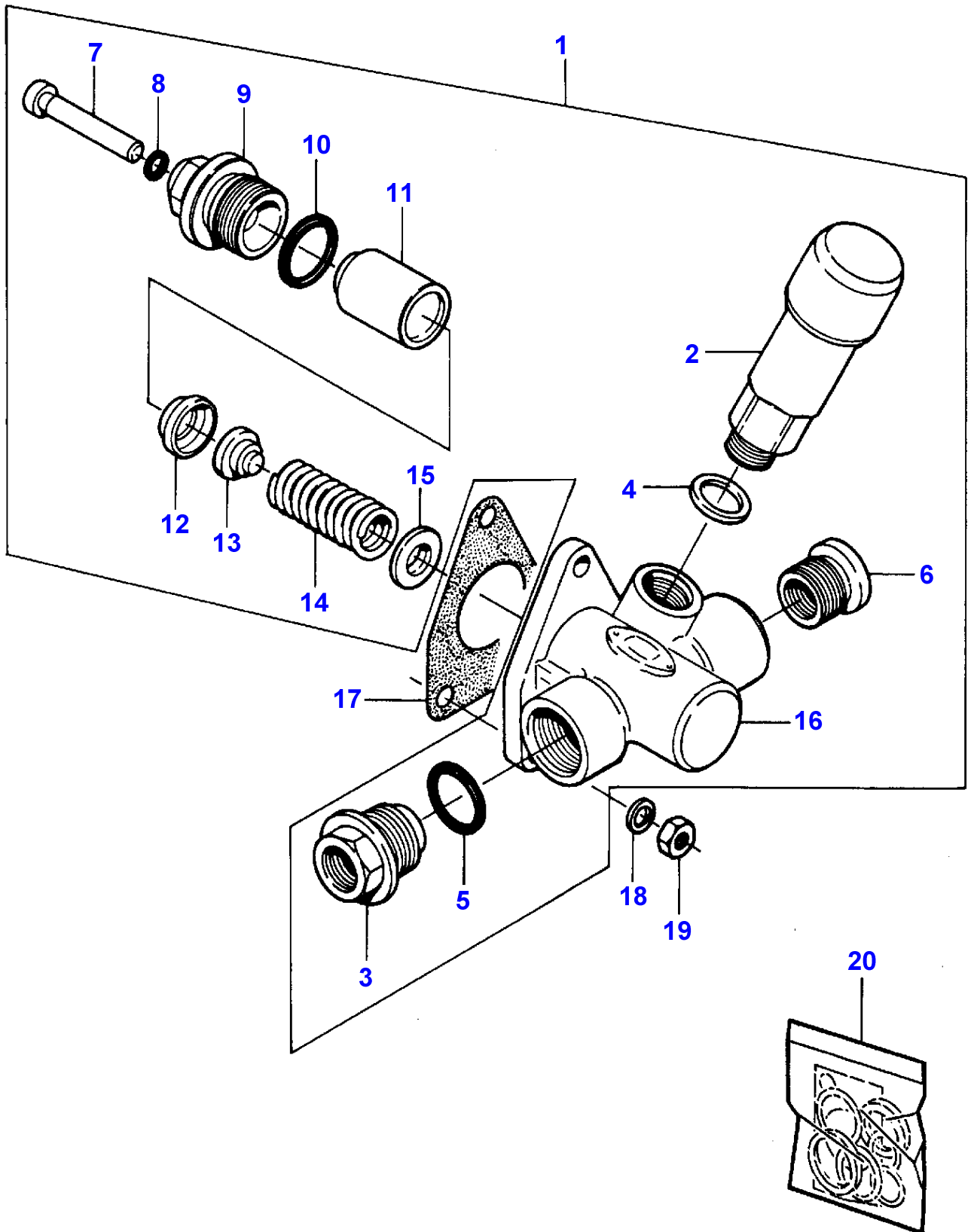
[A]
INCLUDED IN V836840102

1-HB17-008-A



Item	Part Number	Qty	Description	Comments
				ENGINE 620 DSL
1	V836639956	6	Atomiser	
2		1	Atomiser	(1) Not serviced, order REF.1
3	V835331289	1	Screw	(1)
4	V615870610	2	Seal	(1)
5	V836640104	X	Chock	(1) Thickness 1 MM
5	V836640105	X	Chock	(1) Thickness 1,05MM
5	V836640106	X	Chock	(1) Thickness 1,10MM
5	V836640107	X	Chock	(1) Thickness 1,15MM
5	V836640108	X	Chock	(1) Thickness 1,20MM
5	V836640109	X	Chock	(1) Thickness 1,25MM
5	V836640110	X	Chock	(1) Thickness 1,30MM
5	V836640111	X	Chock	(1) Thickness 1,35MM
5	V836640112	X	Chock	(1) Thickness 1,40MM
5	V836640113	X	Chock	(1) Thickness 1,45MM
5	V836640114	X	Chock	(1) Thickness 1,50MM
5	V836640115	X	Chock	(1) Thickness 1,55MM
5	V836640116	X	Chock	(1) Thickness 1,60MM
5	V836640117	X	Chock	(1) Thickness 1,65MM
5	V836640118	X	Chock	(1) Thickness 1,70MM
5	V836640119	X	Chock	(1) Thickness 1,75MM
5	V836640120	X	Chock	(1) Thickness 1,80MM
5	V836640121	X	Chock	(1) Thickness 1,85MM
5	V836640122	X	Chock	(1) Thickness 1,90MM
6	V836639957	1	Nozzle	(1)

1-HB15-006-A



MASSEY FERGUSON**MF 30/31XP/32/34/36/38/40 COMBINE ENGINES, VALMET - 1637219**

1637219

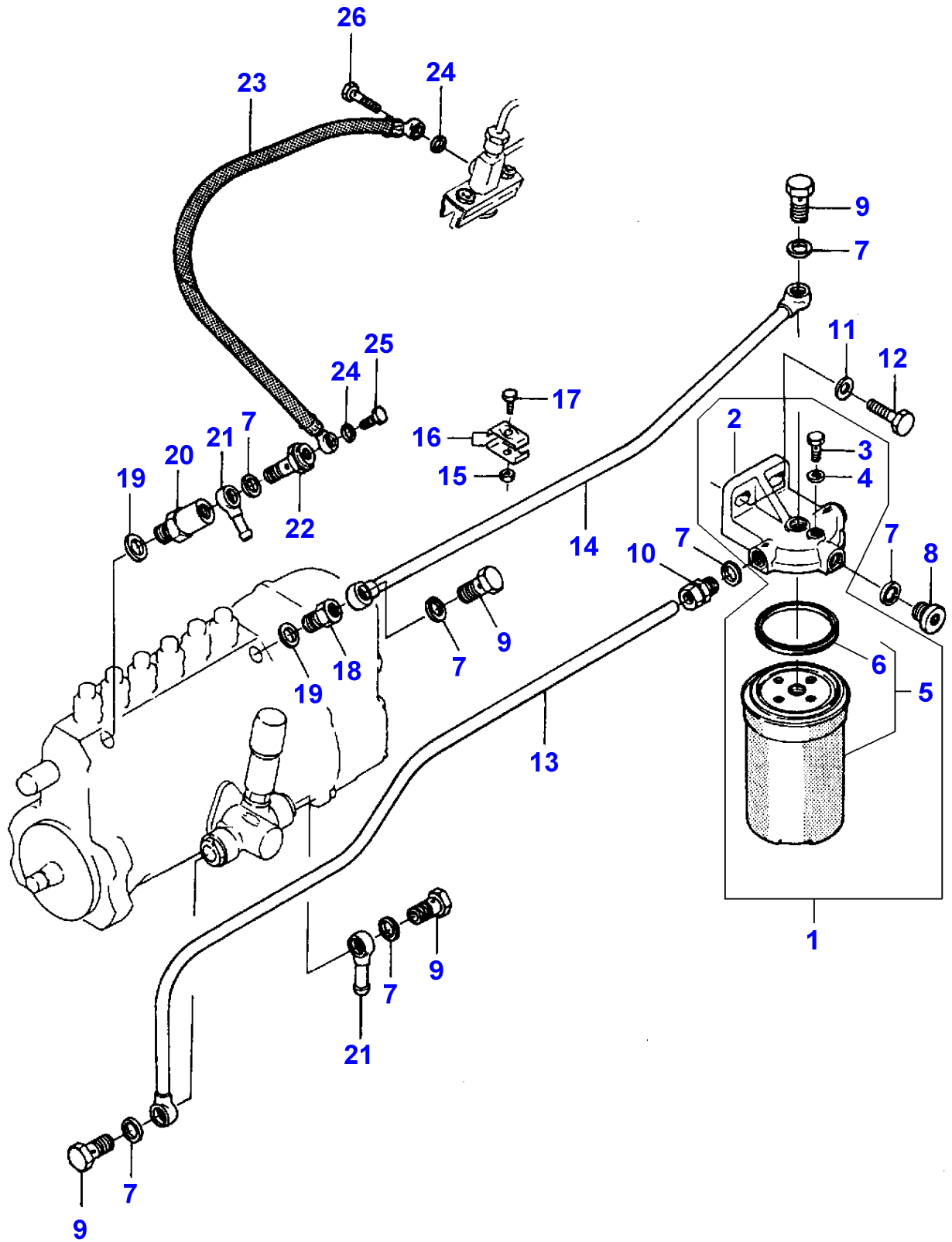
PUMP - ENGINE 620 DSL

96

Item	Part Number	Qty	Description	Comments
				ENGINE 620 DSL
1	V835340017	1	Pump	
2	V835339884	1	Pump	(1)
3	V835340020	1	Union	[A] (1) Up to Serial or Engine Number B4805
3	V835340971	1	Union	(1) From Serial or Engine Number F9996
4	V615881620	1	Seal	[A] (1)
5	V835340021	1	O Ring	[A] (1) Up to Serial or Engine Number B4805
5	V835340972	1	O Ring	(1) From Serial or Engine Number F9996
6	V835340019	1	Union	(1)
7	V835339874	1	Pin	(1)
8	V836139015	1	O Ring	[A] (1)
9	V835339875	1	Body	(1)
10	V835339876	1	O Ring	[A] (1)
11	V835339877	1	Plunger	(1)
12	V835339882	1	Gasket	[A] (1)
13	V835339880	1	Pressure Valve	[A] (1)
14	V835339878	1	Spring	[A] (1)
15	V835339879	2	Washer	(1)
16	V835340018	1	Housing	(1)
17	V836329194	1	Gasket	[A]
18	V500450602	3	Washer	
19	V504600602	3	Nut	
20	V836640099	1	Kit, Repair	

[A]
INCLUDED IN REPAIR KIT V836640099

1-HB18-005-A



MASSEY FERGUSON**MF 30/31XP/32/34/36/38/40 COMBINE ENGINES, VALMET - 1637219**

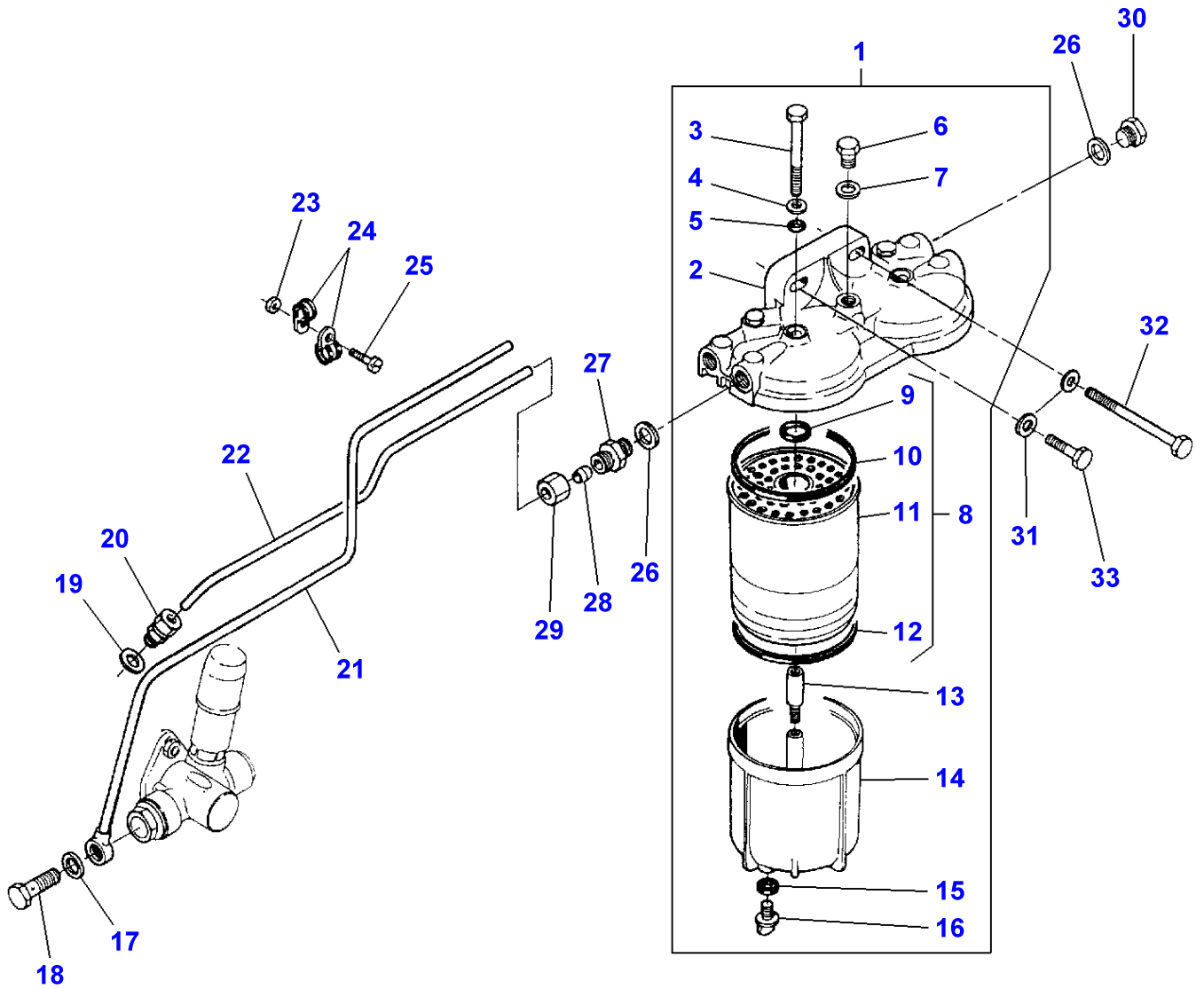
1637219

FUEL FILTER - ENGINE 620 DSL - UP TO B 4804

97

Item	Part Number	Qty	Description	Comments
				ENGINE 620 DSL - UP TO B 4804
1	V835331210	1	Fuel Filter	
2		1	Cover	(1) Not serviced, order REF.1
3	V835331345	1	Screw	(1)
4	V615870610	1	Seal	(1)
5	V835331343	1	Filter Element	(1)
6	V835331344	1	O Ring	(5)
7	V615881418	13	Seal	
8	V640325014	2	Plug	
9	V640435010	4	Screw	
10	V641086010	1	Union	
11	V500150840	2	Washer	
12	V528801400	1	Screw	
13	V836847635	1	Pipe	
14	V836847530	1	Pipe	
15	V504600502	1	Nut	
16	V836324445	2	Clamp	
17	V528800802	1	Screw	
18	V836336934	1	Union	
19	V615881420	2	Gasket	
20	V836330959	1	Valve	
21	V640255210	2	Pipe	
22	V835336944	1	Screw	
23	V835336942	1	Tube	
24	V615870610	5	Seal	
25	V835331289	1	Screw	
26	V835336943	1	Screw	

1-HB18-013-A



MASSEY FERGUSON**MF 30/31XP/32/34/36/38/40 COMBINE ENGINES, VALMET - 1637219**

1637219

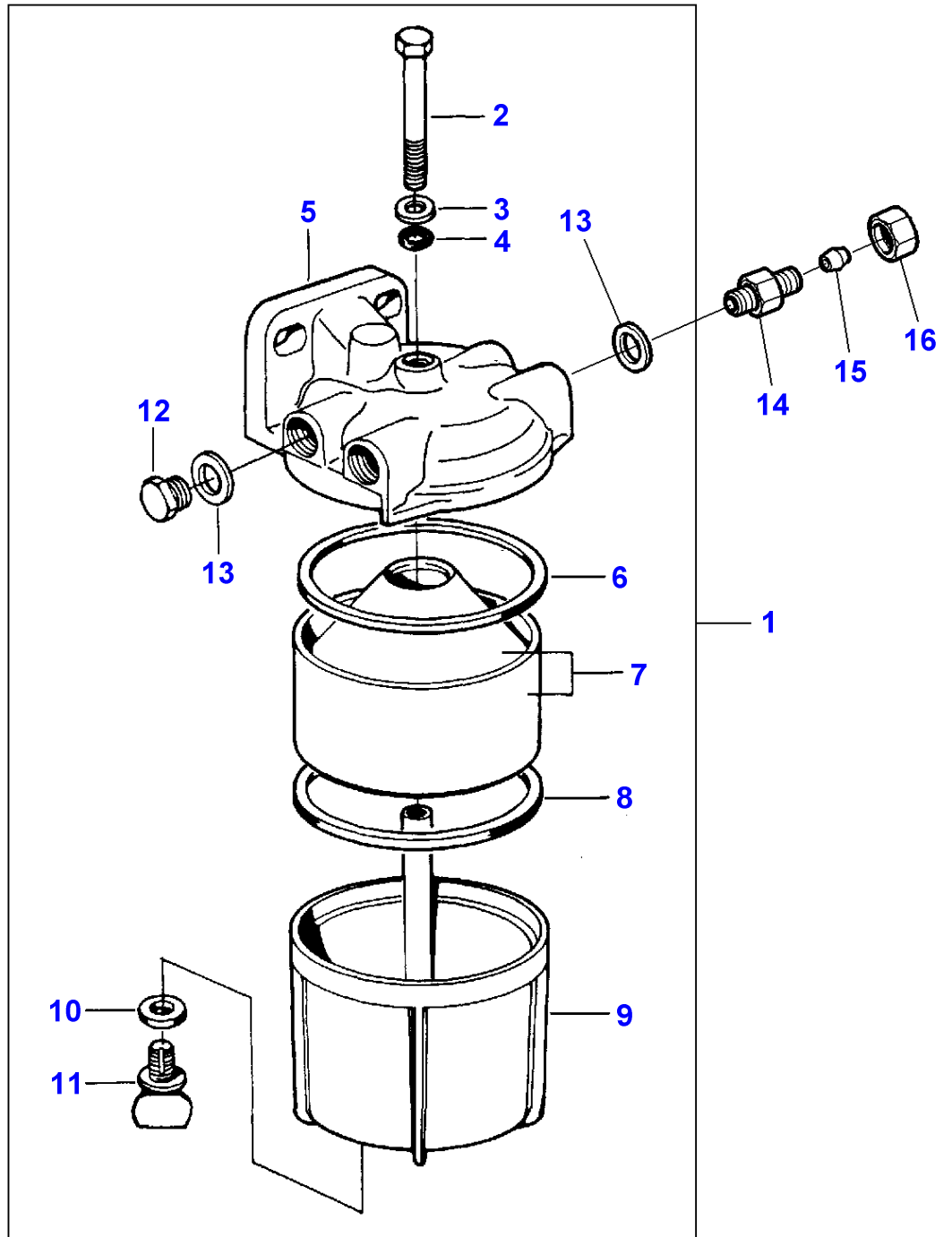
FUEL FILTER - ENGINE 620 DSL - FROM NO B 4805

98

Item	Part Number	Qty	Description	Comments
				ENGINE 620 DSL - FROM NO B 4805
1	V836339370	1	Fuel Filter	
2	V836015959	1	Cover	(1)
3	V836015149	2	Screw	(1)
4	V836015918	2	Washer	(1)
5	V836015919	2	O Ring	(1)
6	V836015958	1	Screw	(1)
7	V615571014	1	Seal	(1)
8	V836339371	2	Element	(1)
9	V836015142	1	O Ring	(8)
10	V835330014	1	Gasket	(8)
11		1	Element	(8)
				Not serviced, order REF.8
12	V835330015	1	Gasket	(8)
13	V836339372	2	Stud	(1)
14	V836340045	2	Bowl	(1)
15	V836015147	2	Gasket	(1)
16	V836015148	2	Plug	(1)
17	V615881420	3	Gasket	[A]
18	V640435010	1	Screw	
19	V615881420	1	Gasket	[A]
20	V641086010	1	Union	
21	V836852582	1	Pipe	
22	V836852507	1	Pipe	From Serial or Engine Number F 9996
23	V504600402	1	Nut	
24	V602068610	2	Clamp	
25	V572502622	1	Screw	
26	V615581317	4	Seal	
27	V835329832	2	Union	
28	V641596010	2	Olive	
29	V641626010	2	Nut	
30	V836117323	2	Plug	
31	V500150842	2	Washer	
32	V529801550	1	Screw	
33	V528801420	1	Screw	

[A]
INCLUDED IN V836840103

1-HB18-014-A



MASSEY FERGUSON**MF 30/31XP/32/34/36/38/40 COMBINE ENGINES, VALMET - 1637219**

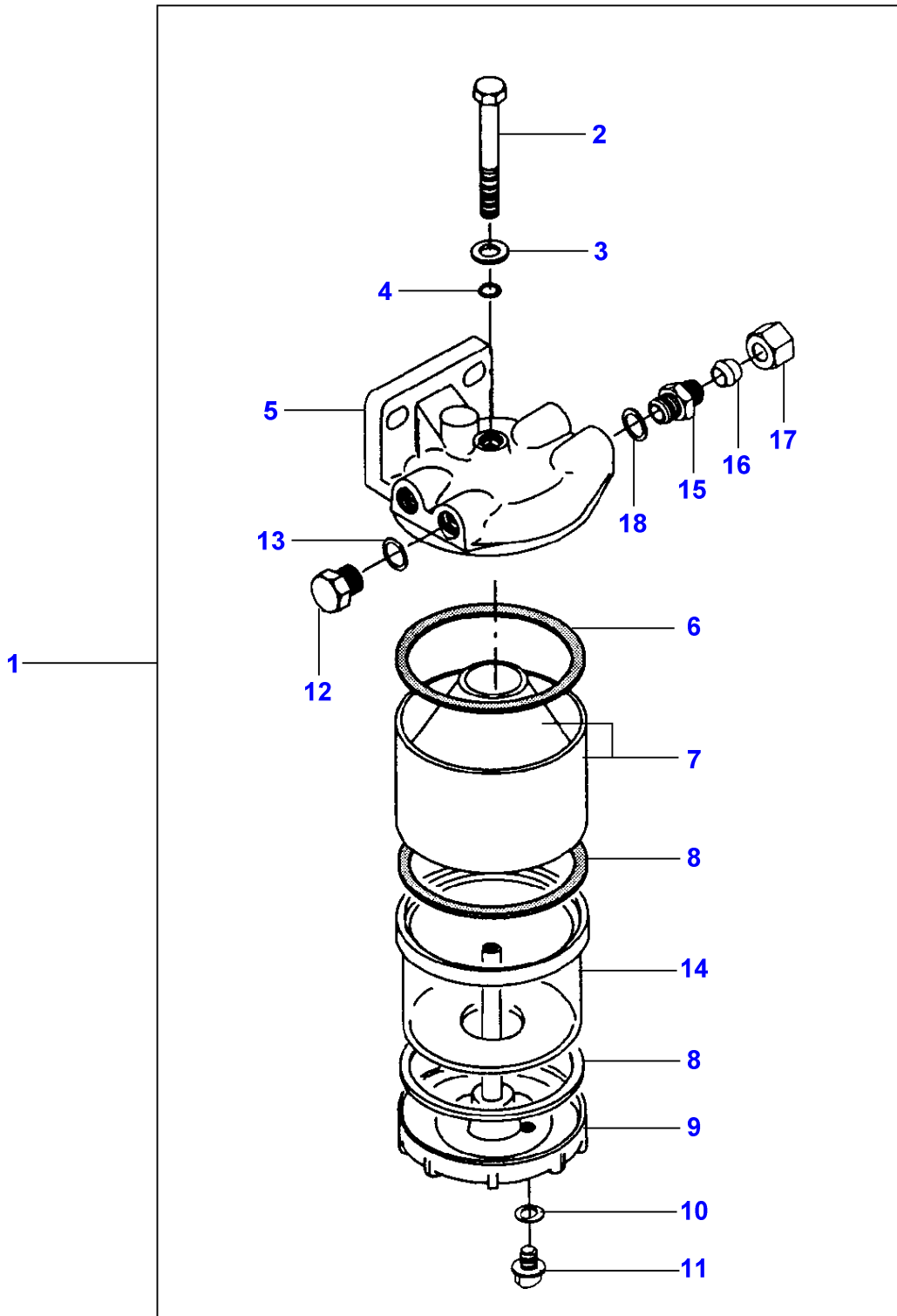
1637219

FUEL FILTER - ENGINE 620 DSL - SEDIMENT BOWL

99

Item	Part Number	Qty	Description	Comments
				ENGINE 620 DSL - SEDIMENT BOWL
1	V836115720	1	Sediment Bowl	
2	V836015149	1	Screw	(1)
3	V836015918	1	Washer	(1)
4	V836015919	1	O Ring	(1)
5	V836015960	1	Filter Head	(1)
6	V835330014	1	Gasket	(1)
7	V835339420	1	Filter Insert	(1)
8	V835330015	1	Gasket	(1)
9	V835339421	1	Container	(1)
10	V836015147	1	Gasket	(1)
11	V836015148	1	Plug	(1)
12	V836117323	2	Plug	(1)
13	V615581317	2	Seal	(1)
14	V835329832	2	Union	
15	V641596010	2	Olive	
16	V641626010	2	Nut	

B-HB18-019-A



MASSEY FERGUSON**MF 30/31XP/32/34/36/38/40 COMBINE ENGINES, VALMET - 1637219**

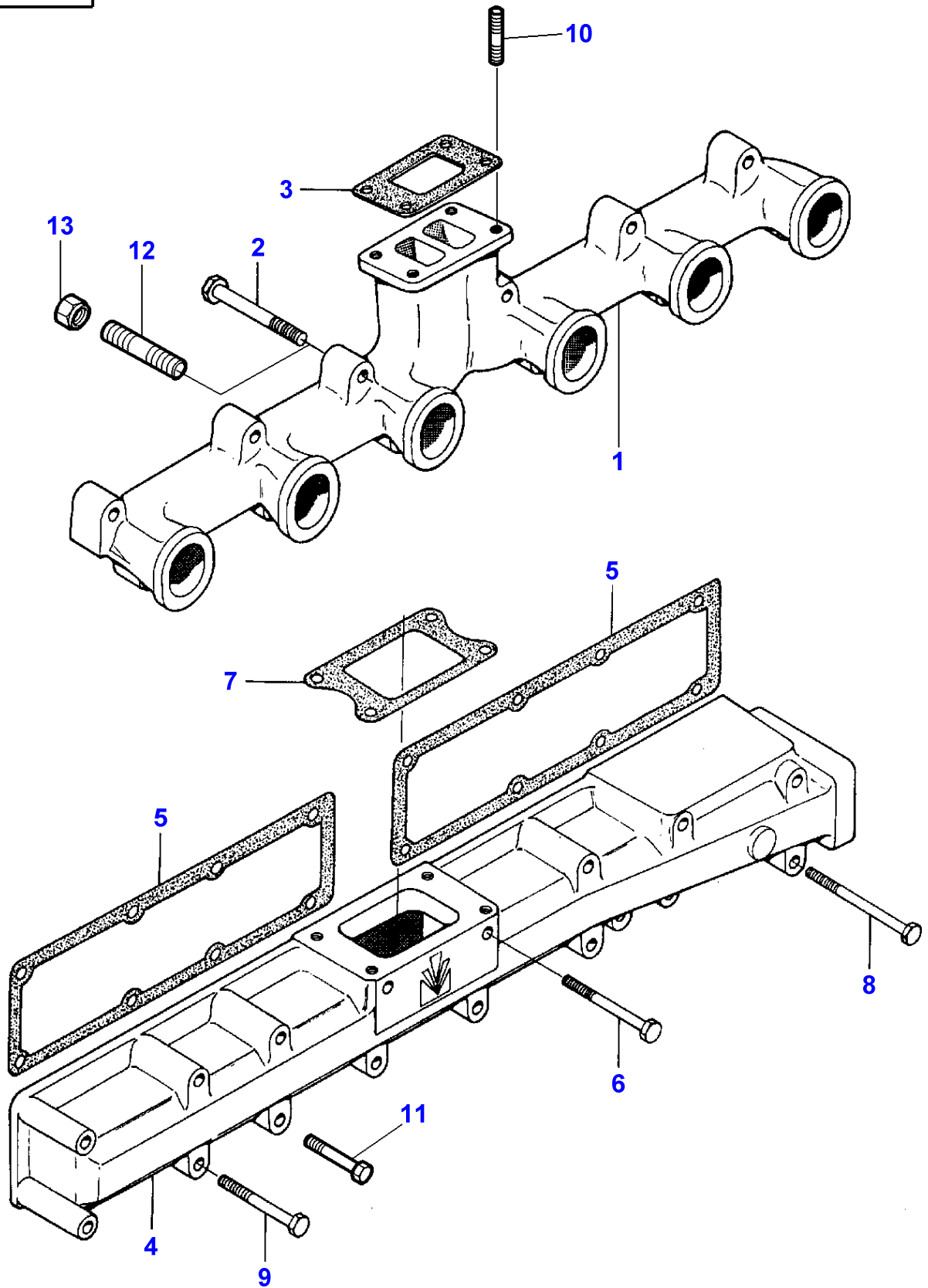
1637219

FUEL FILTER - ENGINE 620 DSL - FROM NO F 9996

100

Item	Part Number	Qty	Description	Comments
				ENGINE 620 DSL - FROM NO F 9996
1	V836640098	1	Sediment Bowl	
2	V836015149	1	Screw	(1)
3	V836015918	1	Washer	(1)
4	V836015919	1	O Ring	(1)
5	V836015960	1	Filter Head	(1)
6	V835330014	1	Gasket	(1)
7	V835339420	1	Filter Insert	(1)
8	V835330015	2	Gasket	(1)
9	V836640098	1	Sediment Bowl	(1)
10	V836015147	1	Gasket	(1)
11	V836015148	1	Plug	(1)
12	V836117323	2	Plug	(1)
13	V615581317	2	Seal	(1)
14	V836015144	2	Bowl	(1)
15	V835329832	2	Union	
16	V641596010	2	Olive	
17	V641626010	2	Nut	
18	V615581317	2	Seal	

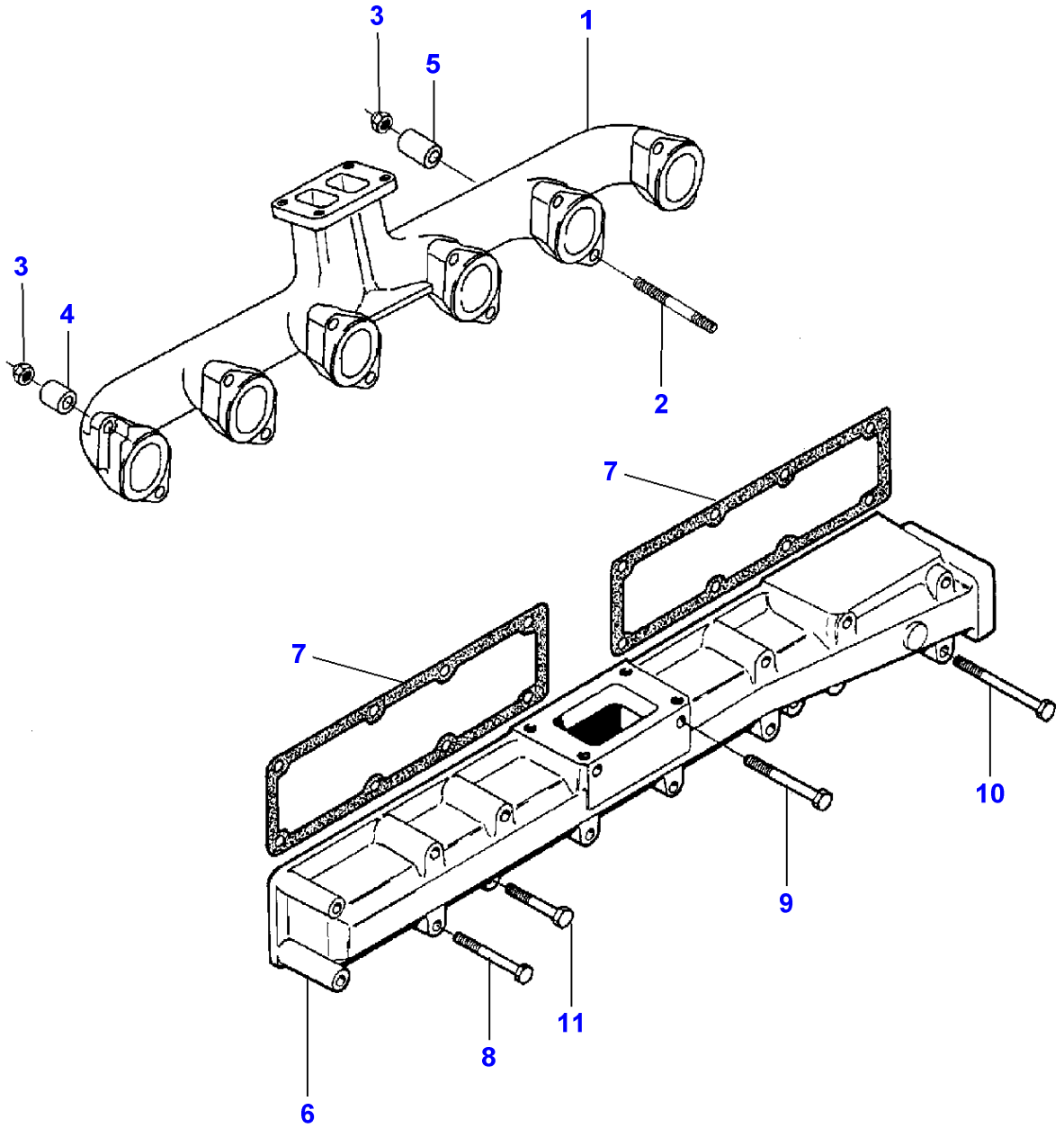
1-HB19-004-B



MASSEY FERGUSON**MF 30/31XP/32/34/36/38/40 COMBINE ENGINES, VALMET - 1637219****1637219****TURBOCHARGER-INLET AND EXHAUST MANIFOLD - ENGINE 620DSL UP TO SERIAL NUMBER F9995****101**

Item	Part Number	Qty	Description	Comments
				ENGINE 620DSL UP TO SERIAL NUMBER F9995
1	V836847099	1	Manifold	
2	V529801950	12	Screw	Up to Serial or Engine Number B4805
3	V836316726	1	Gasket	
4	V836847493	1	Ind.Manifold	
5	V836847496	2	Gasket	
6	V529801530	4	Screw	
7	V836847532	1	Gasket	
8	V529801562	2	Screw	
9	V529801510	10	Screw	Up to Serial or Engine Number B 4804
	V529801510	9	Screw	From Serial or Engine Number B 4805
10	V546801800	4	Stud	
11	V529801470	1	Screw	From Serial or Engine Number B 4805
12	V836859188	12	Bolt	From Serial or Engine Number F9996
13	V513601002	12	Nut	From Serial or Engine Number F9996

D-HB19-007-A



MASSEY FERGUSON**MF 30/31XP/32/34/36/38/40 COMBINE ENGINES, VALMET - 1637219**

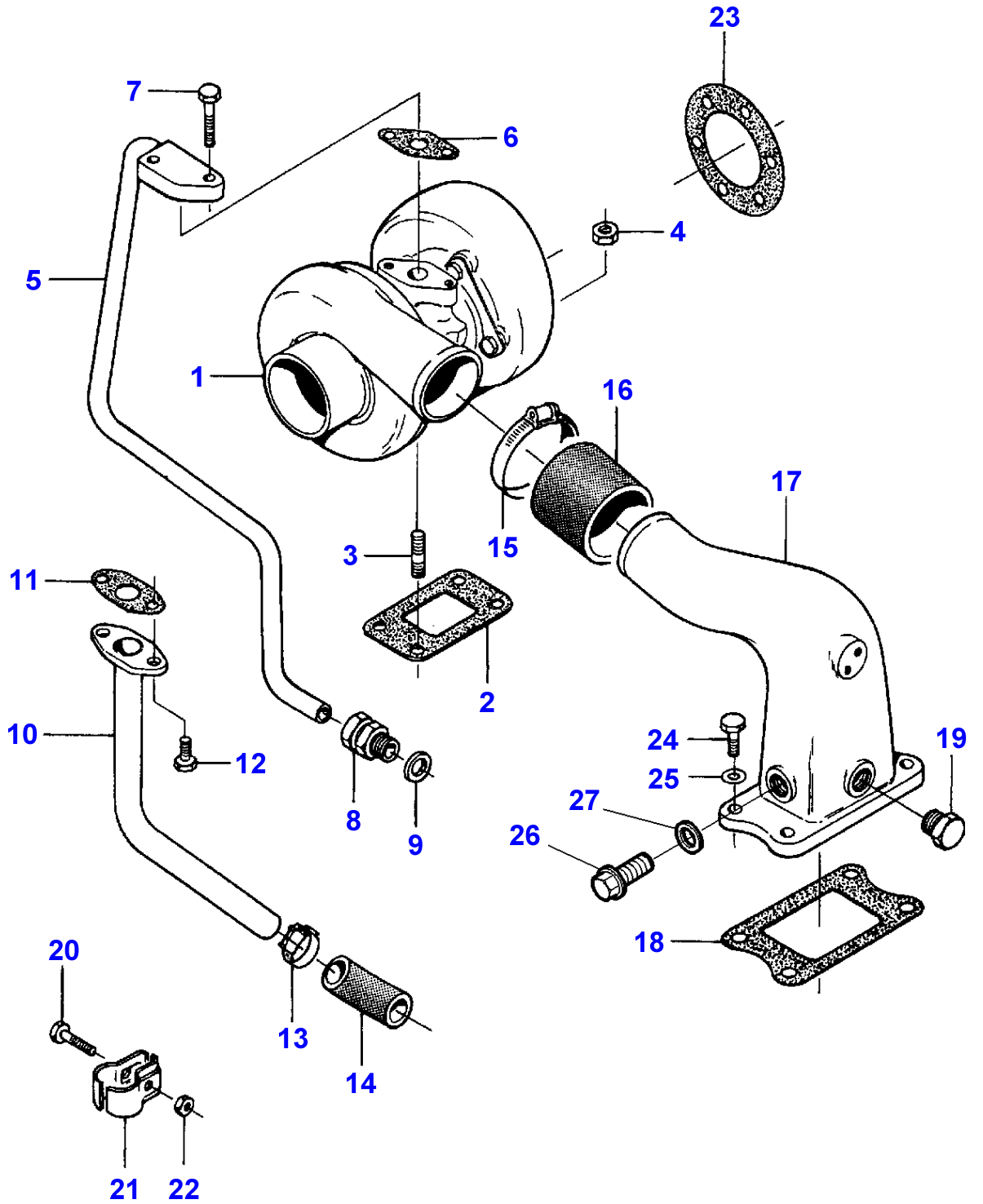
1637219

TURBOCHARGER-INLET AND EXHAUST MANIFOLD - ENGINE 620 DSL FROM SERIAL F9996

102

Item	Part Number	Qty	Description	Comments
				ENGINE 620 DSL FROM SERIAL F9996
1	V836864007	1	Exhaust Manifold	
2	V836859188	12	Bolt	
3	V513601002	12	Nut	M 10
4	V836664012	2	Sleeve	Length 33 mm
5	V836664013	10	Sleeve	Length 45 mm
6	V836847493	1	Ind.Manifold	
7	V836847496	2	Gasket	S1
8	V529801510	9	Screw	M8 X 80
9	V529801530	4	Screw	M8 X 90
10	V529801562	2	Screw	M8 X 110
11	V529801470	1	Screw	M8 X 60

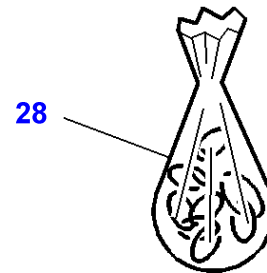
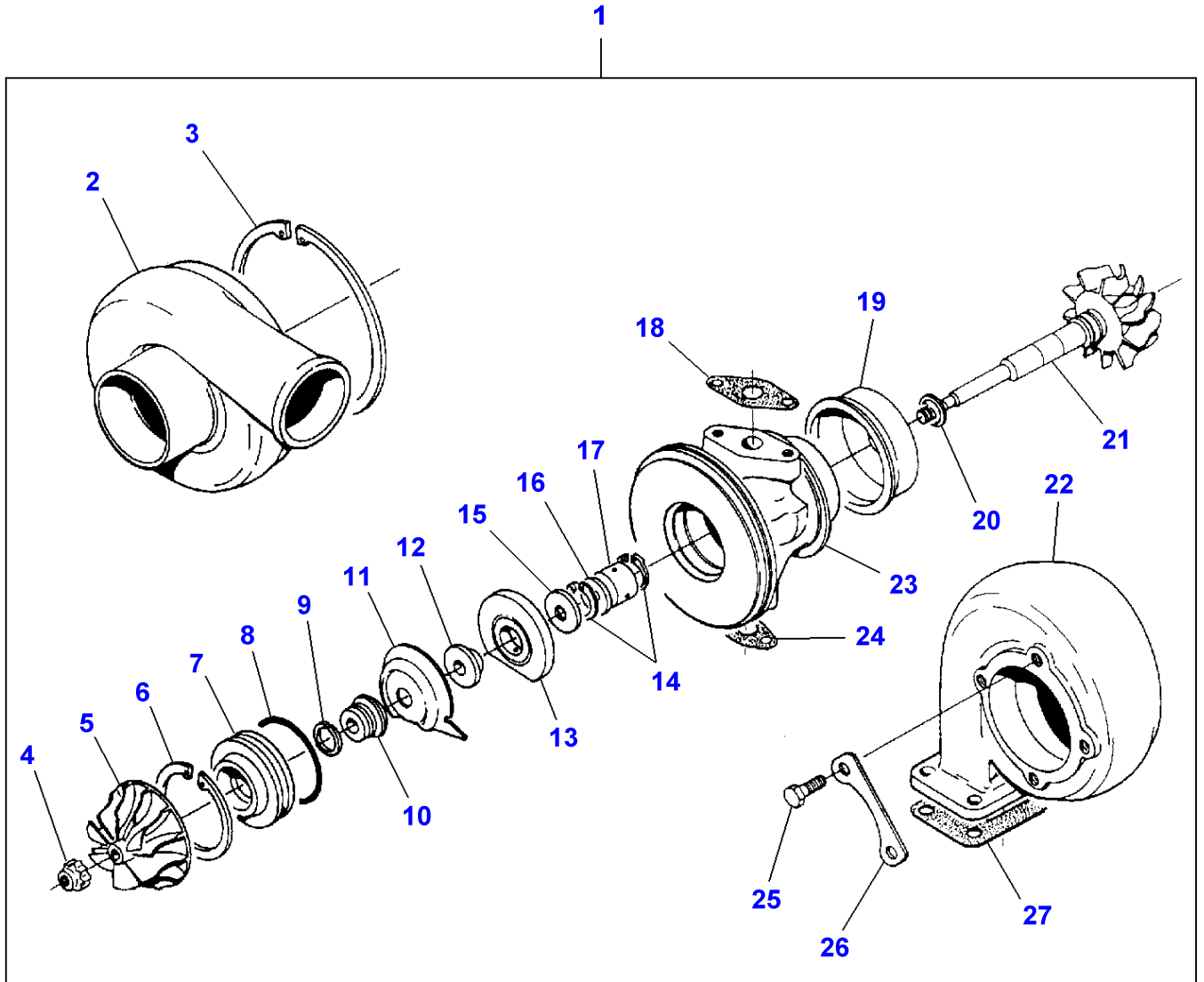
1-HB20-004-B



Item	Part Number	Qty	Description	Comments
				ENGINE 620 DSL
1	V836846365	1	Turbocharger	See Page - Reference Number 104/1
2	V836316726	1	Gasket	[A]
3	V546801800	4	Stud	
4	V521601000	4	Nut	
5	V836847235	1	Pipe	
6	V836308344	1	Joint	[A]
7	V528801410	2	Adjusting Screw	
8	V641086012	1	Union	
9	V615881620	1	Seal	[B]
10	V836847236	1	Pipe	
11	V836324580	1	Joint	[A]
12	V528801380	2	Screw	
13	V602087528	2	Clamp	
14	V836647576	1	Hose	
15	V602061668	2	Clamp	Repairs and replaces V602083550
16	V836128181	1	Hose	
17	V836847542	1	Pipe	
18	V836847532	1	Gasket	[A]
19	V836114958	1	Plug	
20	V529801112	1	Screw	
21	V835324324	2	Clamp	
22	V504600602	1	Nut	
23	V836338985	1	Gasket	[A]
24	V528801400	4	Screw	
25	V500950800	4	Washer	
26	V640305012	1	Plug	
27	V615881216	1	Gasket	

[A]
 INCLUDED IN V836840102
 [B]
 INCLUDED IN V836840103

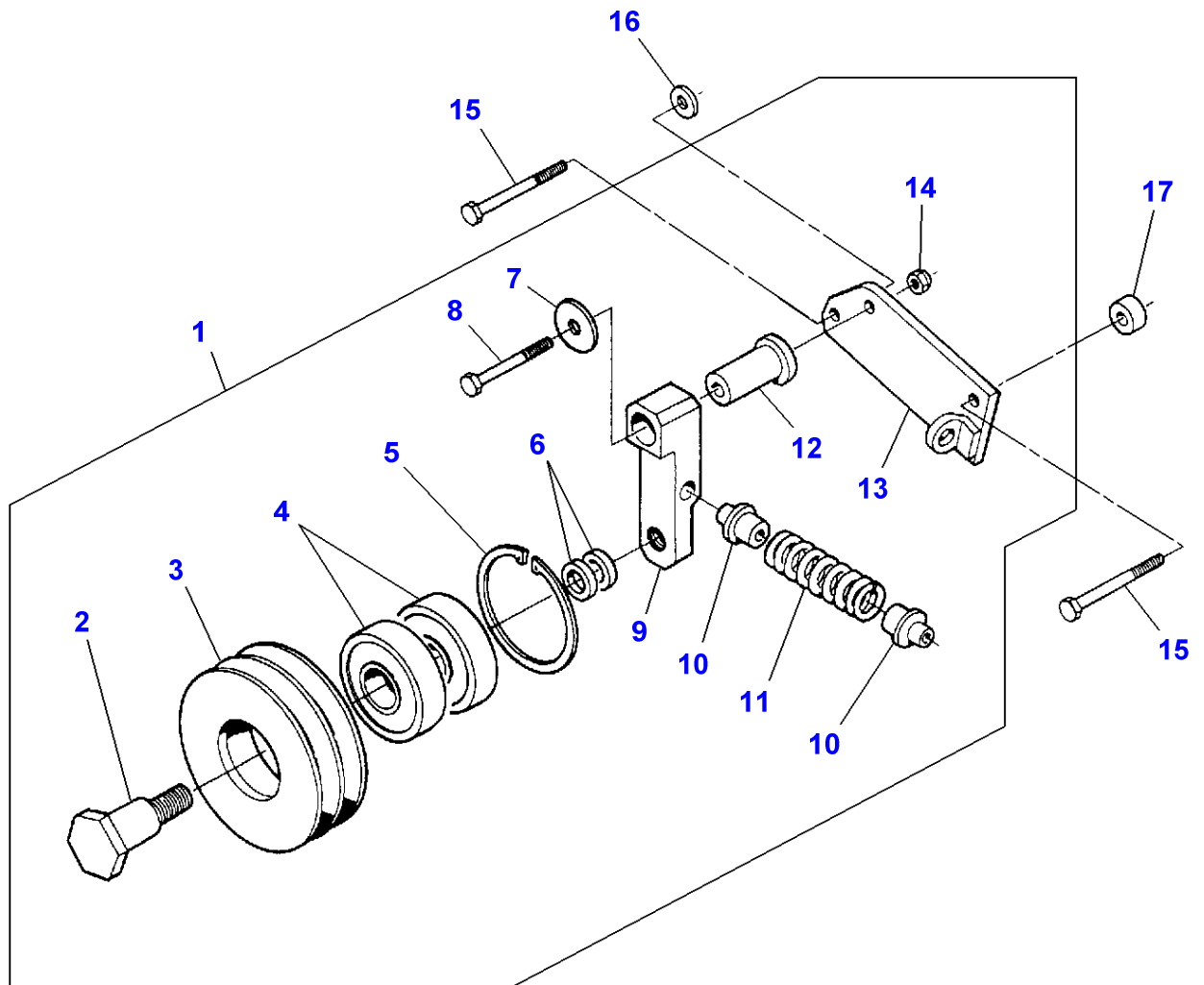
1-HB21-008-A



Item	Part Number	Qty	Description	Comments
				ENGINE 620 DSL
1	V836846365	1	Turbocharger	
2	V836840296	1	Housing	(1)
3	V836131912	1	Clip	(1)
4	V836339787	1	Nut	[A] (1)
5	V836840295	1	Compressor	(1)
6	V835339516	1	Clip	(1)
7	V835339512	1	Insert	(1)
8	V835339517	1	O Ring	[A] (1)
9	V835339510	1	Piston Ring	[A] (1)
10	V836840297	1	Flinger	(1)
11	V835339514	1	Deflector	(1)
12	V836339790	1	Collar	[A] (1)
13	V836840301	1	Bearing Thrust	[A] (1)
14	V836339794	4	Circlip	[A] (1)
15	V836339792	1	Thrust Washer	[A] (1)
16	V836339801	1	Washer	[A] (1)
17	V836840298	2	Bearing	[A] (1)
18	V836308344	1	Joint	[A] (1)
19	V836339796	1	Flange	(1)
20	V836339797	1	Circlip	[A] (1)
21	V836339798	1	Turbine Wheel	(1)
22	V836840300	1	Housing	(1)
23	V836840299	1	Bearing Housing	(1)
24	V836324580	1	Joint	[A] (1)
25	V836840294	1	Screw	[A] (1)
26	V836339800	2	Plate	(1)
27	V836316726	1	Gasket	[A] (1)
28	V836840464	1	Kit, Repair	

[A]
INCLUDED IN REPAIR KIT V836840464

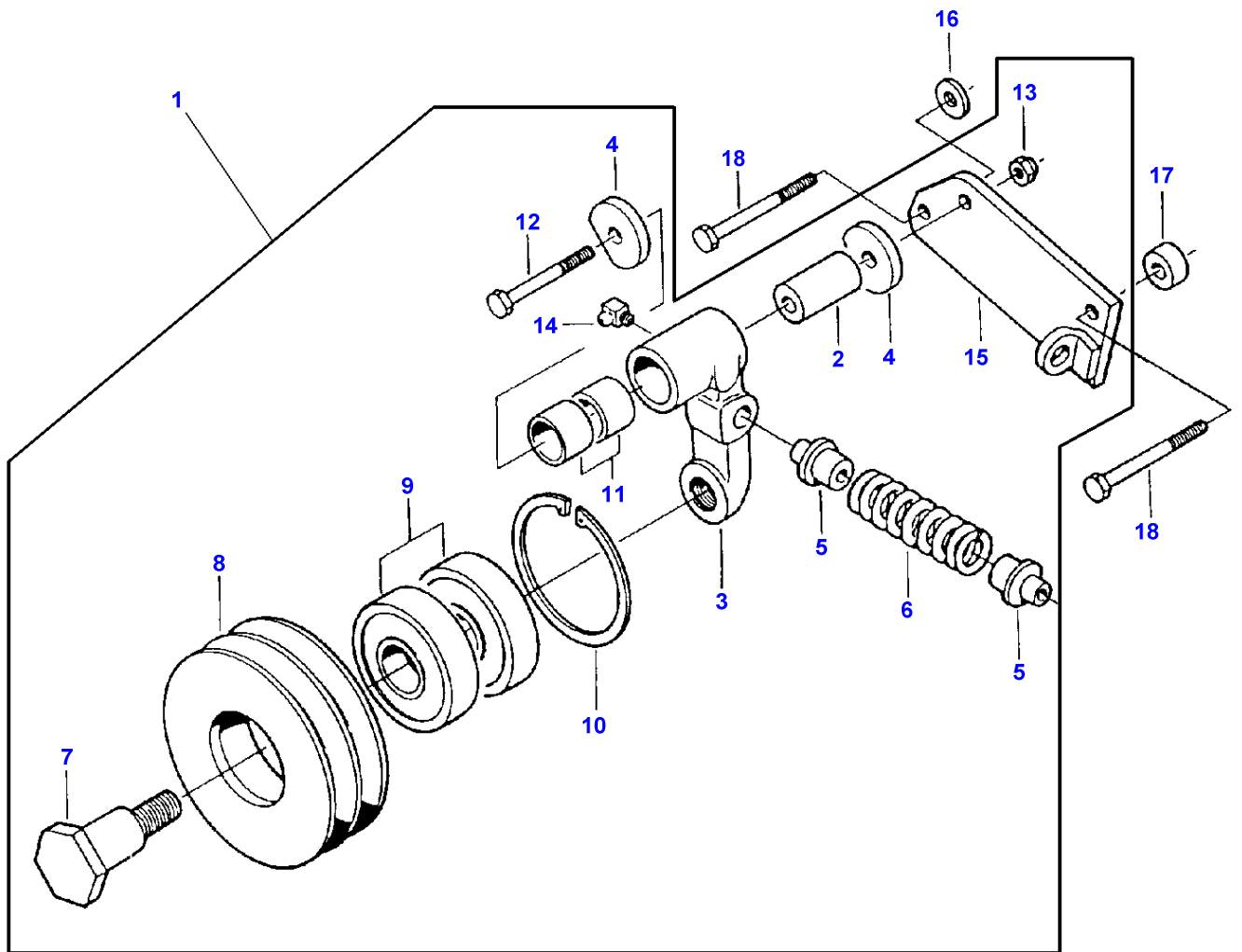
1-HB23-008-A



MASSEY FERGUSON**MF 30/31XP/32/34/36/38/40 COMBINE ENGINES, VALMET - 1637219****1637219****BELT TENSIONER - ENGINE 620 DSL - FROM NO C 6801 UP TO NO F 6175****105**

Item	Part Number	Qty	Description	Comments
				ENGINE 620 DSL - FROM NO C 6801 UP TO NO F 6175
1	V836855071	1	Tensioner	
2	V835328920	1	Shaft	(1)
3	V835328919	1	Pulley	(1)
4	V610063044	2	Bearing Assy	(1)
5	V617330052	1	Circlip	(1)
6	V836328922	2	Sleeve	(1)
7	V836017779	1	Washer	(1)
8	V529801480	1	Screw	(1)
9	V836352612	1	Housing	(1)
10	V836352611	2	Spring Plate	(1)
11	V836352610	1	Spring	(1)
12	V836352613	1	Sleeve	(1)
13	V836855015	1	Bracket	(1)
14	V510600802	1	Nut	(1)
15	V529801500	2	Screw	
16	V836120989	1	Washer	
17	V836136337	1	Sleeve	

B-HB23-013-A



MASSEY FERGUSON**MF 30/31XP/32/34/36/38/40 COMBINE ENGINES, VALMET - 1637219**

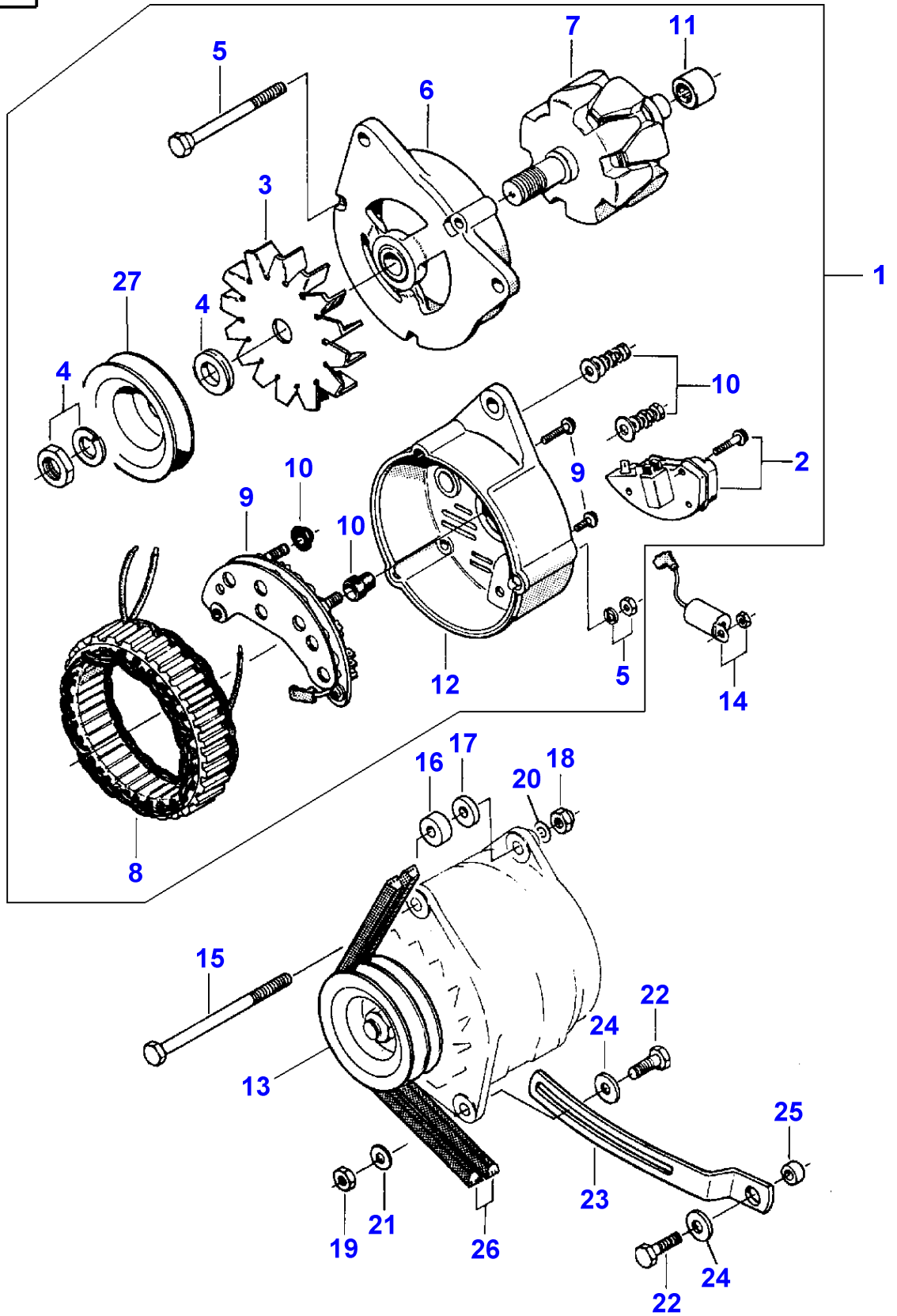
1637219

BELT TENSIONER - ENGINE 620 DSL - FROM NO F 6176

106

Item	Part Number	Qty	Description	Comments
				ENGINE 620 DSL - FROM NO F 6176
1	V836855977	1	Kit	
2	V836655971	1	Sleeve	(1)
3	V836655796	1	Housing	(1)
4	V836655972	2	Washer	(1)
5	V836352611	2	Spring Plate	(1)
6	V836664123	1	Spring	(1)
7	V835328920	1	Shaft	(1)
8	V835328919	1	Pulley	(1)
9	V610063044	2	Bearing Assy	(1)
10	V617330052	1	Circlip	(1)
11	V836655981	1	Bush	(1)
12	V529801480	2	Screw	(1)
13	V510600802	1	Nut	(1)
14	V644481006	1	Nipple	(1)
15	V836855015	1	Bracket	(1)
16	V836120989	1	Washer	
17	V836119384	1	Sleeve	
18	V529801520	2	Screw	

1-HB24-004-A



MASSEY FERGUSON**MF 30/31XP/32/34/36/38/40 COMBINE ENGINES, VALMET - 1637219**

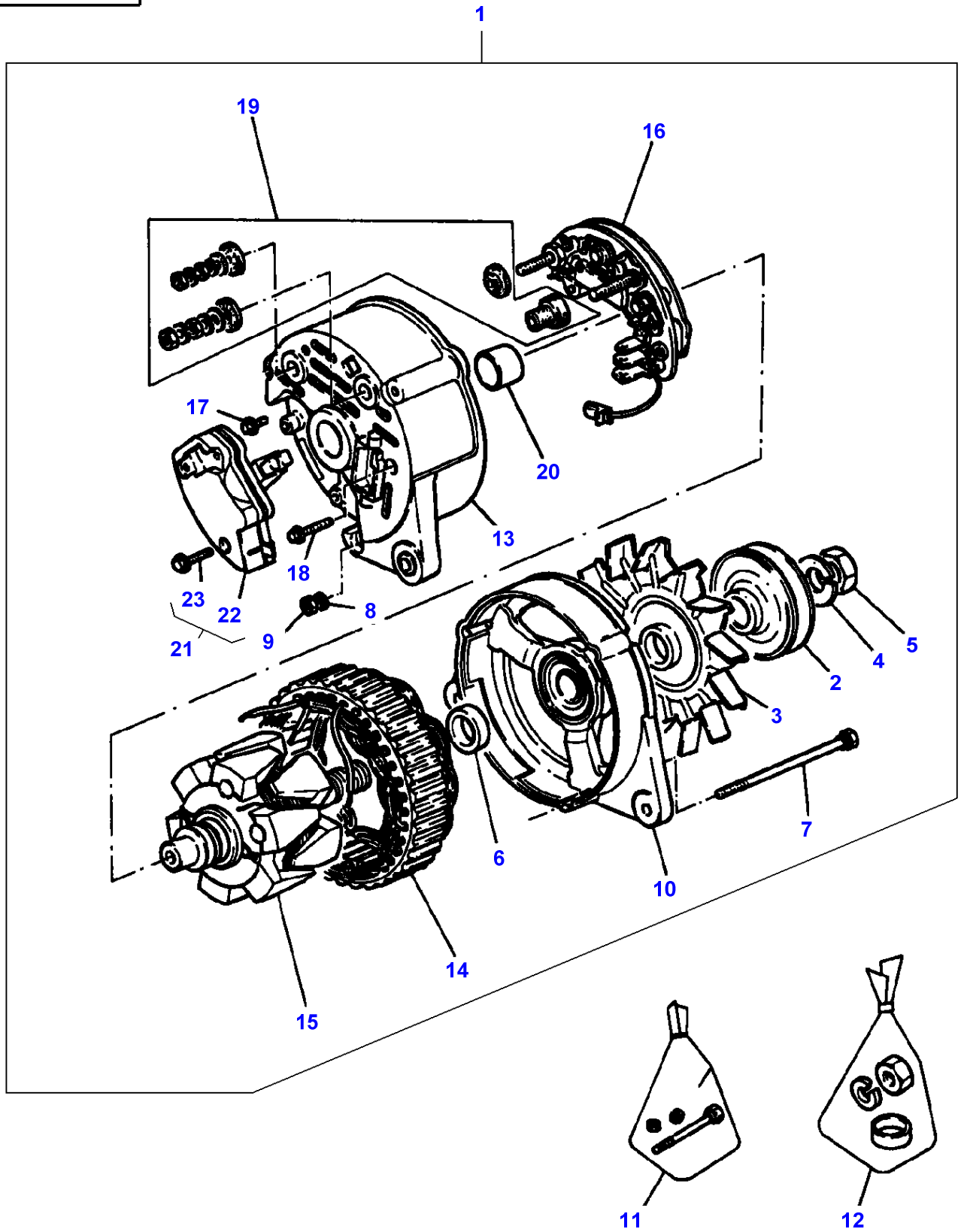
1637219

ALTERNATOR - LUCAS A127 - 65AMP - ENGINE 620 DSL

107

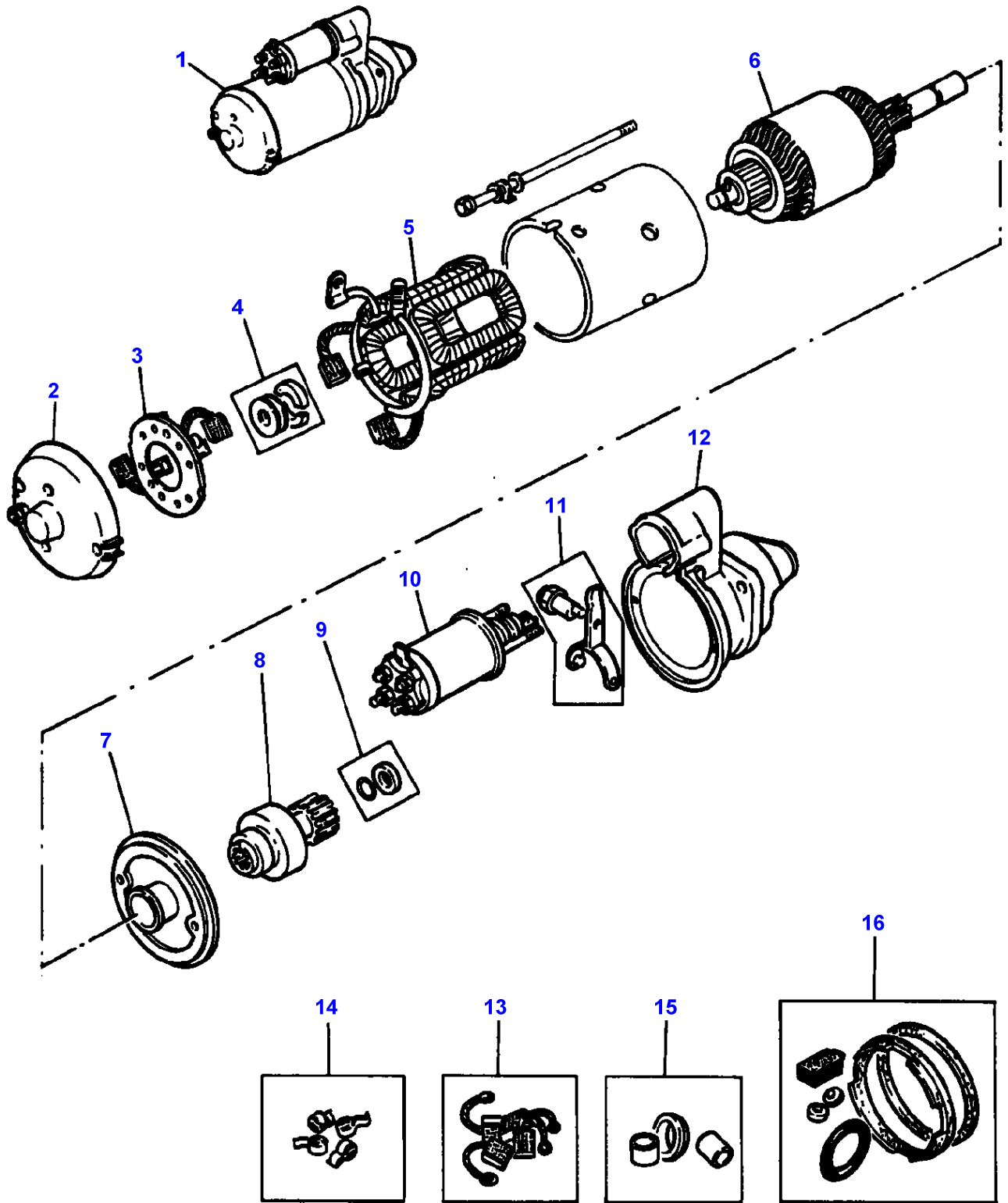
Item	Part Number	Qty	Description	Comments
				LUCAS A127 - 65AMP - ENGINE 620 DSL
1	V836640128	1	Alternator	12V-65AMP. Repairs and replaces V835339304
2	V835339388	1	Regulator	(1)
3	V835339376	1	Fan	(1)
4	V835339379	1	Parts Pack	(1)
5	V835339380	1	Kit, Bolt	(1)
6	V835339381	1	Bracket	(1)
7	V835339390	1	Rotor	(1)
8	V835339304	1	Alternator	(1)
9	V835339384	1	Rectifier	(1)
10	V835339385	1	Kit, Terminal	(1)
11	V835339386	1	Bearing	(1)
12	V835339387	1	Bracket	(1)
13	V836647639	1	Pulley	
14	V835339391	1	Capacitor	
15	V529801570	1	Screw	
16	V836136337	1	Sleeve	
17	V836019695	1	Sleeve	
18	V510600802	1	Nut	
19	V504800800	1	Nut	
20	V500950800	1	Washer	Up to Serial or Engine Number
21	V500150842	1	Washer	
22	V528801410	2	Adjusting Screw	
23	V836136905	1	Tensioner	
24	V836120989	2	Washer	
25	V836128220	1	Bush	
26	D41990013	1	Belt	MF 32
	V684121425	1	Belt	MF 30
27		X	Pulley	[A] Not serviced, order REF.13
				[A] NOT USED

B-HB24-012-A



Item	Part Number	Qty	Description	Comments
				LUCAS A127 - 45AMP - ENGINE 620 DSL
1	V835339303	1	Alternator	12V-45AMP
2	V835339377	1	Pulley	(1)
3	V835339376	1	Fan	(1)
4		1	Lock Washer	[A] (1)
				Not serviced, order REF.12
5		1	Nut	[A] (1)
				Not serviced, order REF.12
6		X	Spacer	[A] (1)
				Not serviced, order REF.12
7		3	Bolt	[C] (1)
				Not serviced, order REF.11
8		3	Lock Washer	[C] (1)
				Not serviced, order REF.11
9		3	Nut	[C] (1)
				Not serviced, order REF.11
10	V835339381	1	Bracket	(1)
11	V835339380	1	Kit, Bolt	[D]
12	V835339379	1	Parts Pack	[B]
13	V835339387	1	Bracket	(1)
14		1	Stator	(1)
				Not serviced, order REF.1
15		1	Rotor	(1)
				Not serviced, order REF.1
16	V835339384	1	Rectifier	(1)
17		1	Screw	(16)
				Not serviced, order REF.16
18		1	Screw	(16)
				Not serviced, order REF.16
19	V835339385	1	Kit, Terminal	(1)
20	V835339386	1	Bearing	(1)
21	V835339388	1	Regulator	(1)
22		1	Regulator	(22)
				Not serviced, order REF.22
23		3	Screw	(22)
				Not serviced, order REF.22
				[C]
				INCLUDED IN KIT MARKED (D)
				[A]
				INCLUDED IN KIT MARKED (B)
				[B]
				INCLUDES ITEMS MARKED (A)
				[D]
				INCLUDES ITEMS MARKED (C)

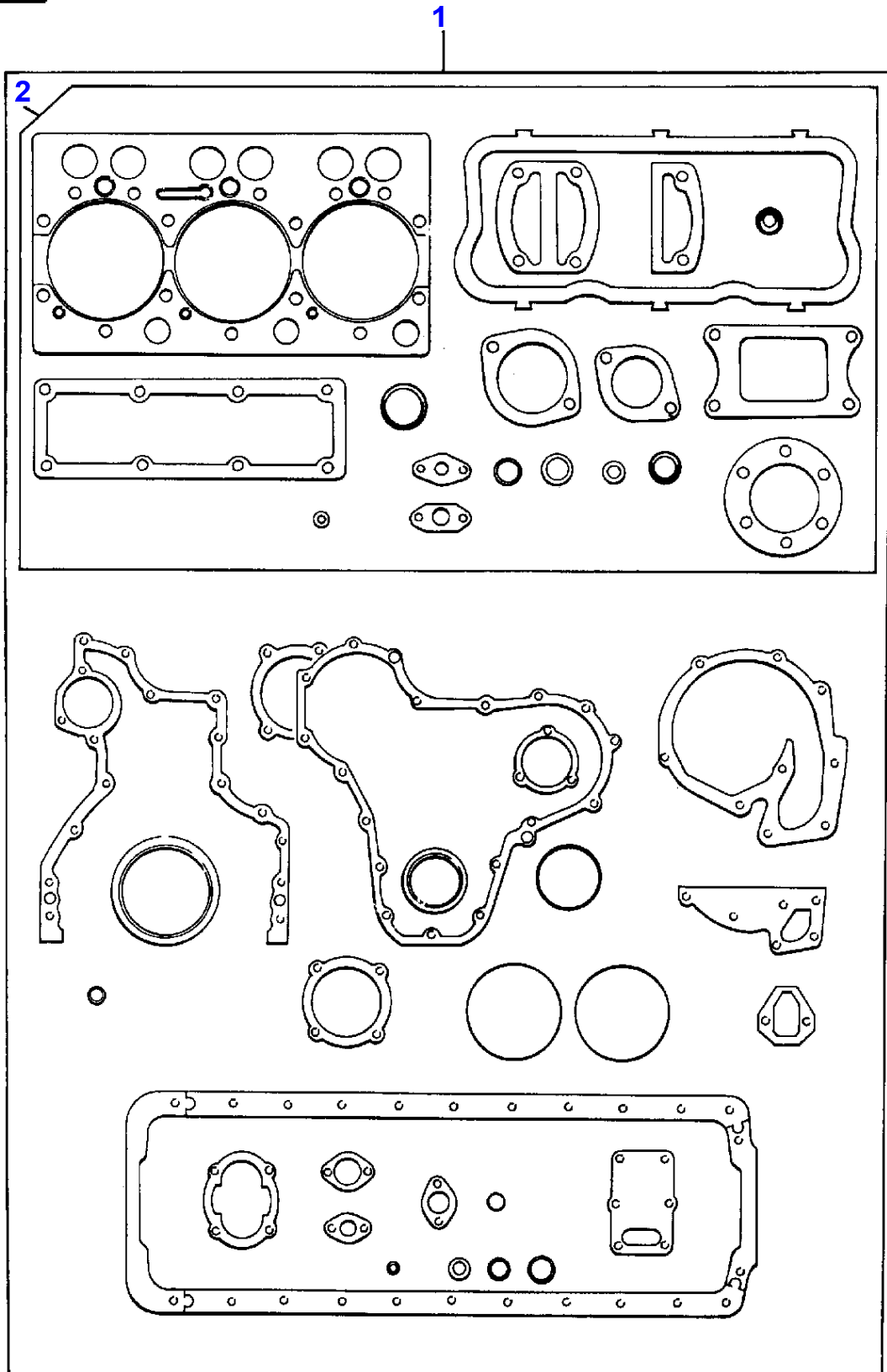
1-HB25-004-A



STARTER MOTOR - ENGINE 620 DSL

Item	Part Number	Qty	Description	Comments
				ENGINE 620 DSL
1	V835346811	1	Startermotor	Up to Serial or Engine Number
	V836640938	1	Startermotor	From Serial or Engine Number
2	V835331862	1	Flange	(1)
3	V836015847	1	Holder	(1)
4	V836015839	1	Bush	(1)
5	V836640938	1	Startermotor	(1)
6	3473800M91	1	Armature	(1)
7	V835331867	1	Flange	(1)
8	V835331868	1	Flinger	(1)
				Up to Serial or Engine Number
8	V836640947	1	Drive	(1)
				From Serial or Engine Number
9	V835331865	1	Washer	(1)
10	V836640946	1	Solenoid	(1)
				Up to Serial or Engine Number
10	V836640946	1	Solenoid	(1)
				From Serial or Engine Number
11	V835331869	1	Fork	(1)
12		1	Bracket	(1)
				Not serviced, order REF No1
13	V836015230	1	Kit, Brush	(1)
14	V836015232	1	Kit, Spring	(1)
15	V836015848	1	Kit, Bush	(1)
16	V835331870	1	Kit, Joint	(1)

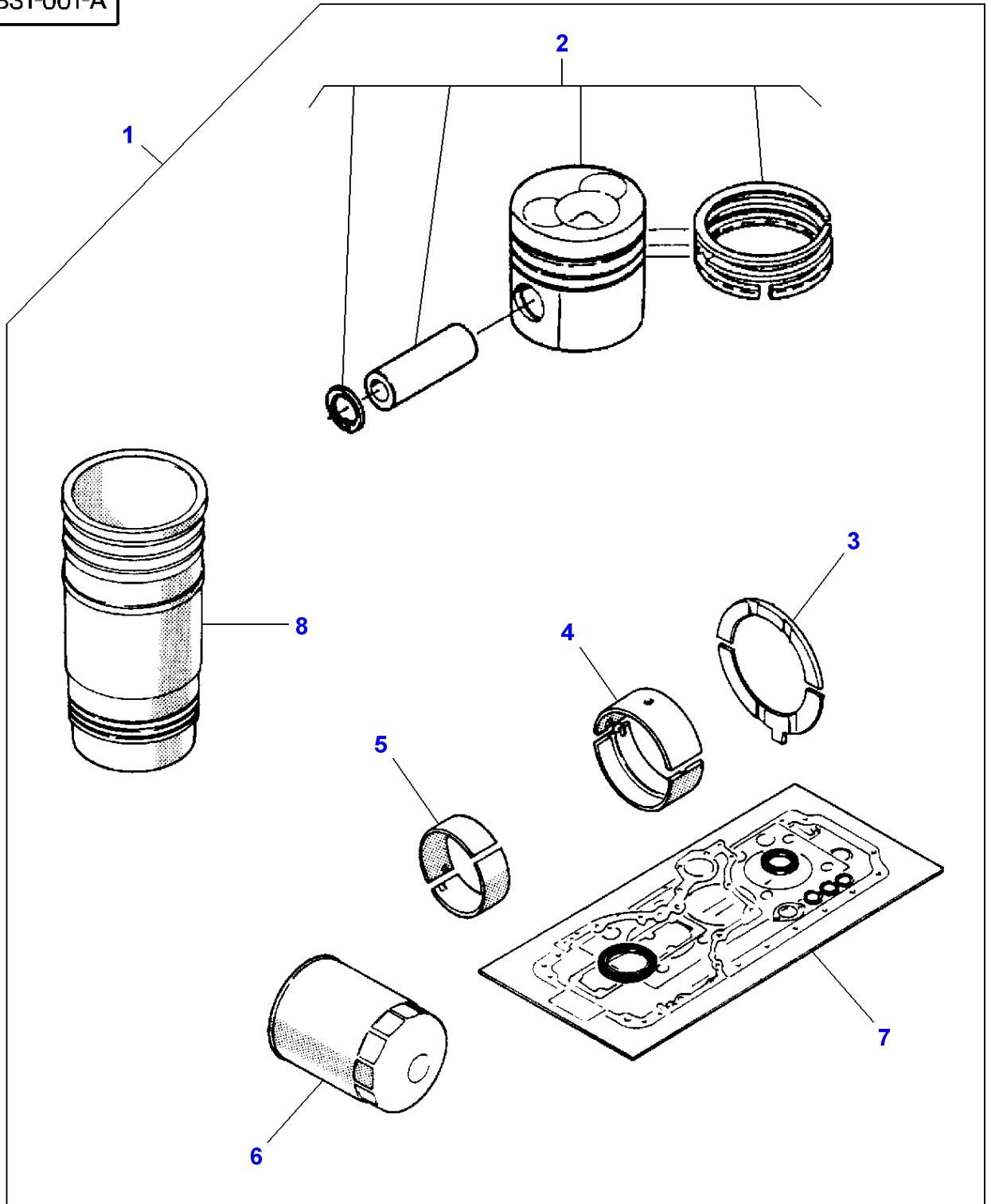
1-HB28-004-A



MASSEY FERGUSON**MF 30/31XP/32/34/36/38/40 COMBINE ENGINES, VALMET - 1637219****1637219****JOINTS AND GASKETS - ENGINE 620 DSL****110**

Item	Part Number	Qty	Description	Comments
				ENGINE 620 DSL
1	V836840103	1	Kit, Joint	
2	V836840102	1	Kit, Joint	[A] (1)
				[A]
				JOINTS AND GASKETS-TOP SERVICE KIT

1-HB31-001-A



Item	Part Number	Qty	Description	Comments
				ENGINE 620 DSL
1	V836840256	1	Kit, Repair	
2	V836640073	6	Piston	(1)
3	V836119459	2	Chock	(1)
				Replace and repair. Old not interchangeable with new 3637636M1
4	V836655514	7	Bearing	(1)
5	V836110552	6	Bearing	(1)
6	V836662111	1	Filter	(1)
7	V836840103	1	Kit, Joint	(1)
8	V836647420	6	Liner	(1)