

CA510D

Spare parts list

Vibratory Roller

CA510D s/n 10000128x0C003458 -

Engine: Cummins B5.9-VE-TAA



General information

Use only authorized parts. Any damage or malfunction caused by the use of unauthorized parts is not covered by Warranty or Product Liability. Any unauthorized use or copying of the contents or any part thereof is prohibited. This applies in particular to trademarks, model denominations, part numbers, and drawings.

Instructions for use

This spare parts list contains no safety regulations and is merely intended to assist in the ordering of spare parts.

For information about operating, servicing, or repairing, the relevant Safety and operating instructions must be consulted at all costs.

Please observe the safety instructions listed in the relevant Safety and operating instructions!

Contents

CA510D (II/T2) SN 10000128x 0C003458 -

CA510D (II/T2) SN 10000128x 0C003458 -	1
--	---

Service, repair and wear part kits

4700945652 Service kit 50 h	3
4812157268 Service kit 250/750 h	5
4812157269 Service kit 500h	7
4812157270 Service kit 1000h	9
4700938562 Steering hitch kit	11
4700945657-A Eccentric shaft kit	13
4700938891 Drum rotation kit	15
4700938883 Shock absorber kit, drum	17
4700940662 F/R control button kit	19

Mechanical

Frames	21
Scrapers, Spring Steel	23
Hitch	25

Structure To 0C003980

Structure	27
-----------	----

Structure From 0C003981

Structure	32
-----------	----

Operator platform

Drivers platform	37
Control panel	40
Throttle control	43
Forward and reverse control	45
Steering column	47
Canopy Option	49
Rops and fops	51
Cab mounting	53

4700378308 Cab

Cab Screens	56
Cab Door, left side	62
Cab Interior rear mirror	67
Cab Exterior, rear mirror	69
Wiper arm with blade, front	71
Cab Work light	73
Cab Electric	75

Engine

Engine Cummins 6BTAA-5.9	77
Cooling system	81
Combustion air system	86
Fuel system	89

Radiator To 0C000187

Radiator	92
----------	----

Exhaust system To 0C000365

Exhaust system	95
----------------	----

Exhaust system From 0C000366

Exhaust system	97
----------------	----

Drive

Drum

Drum	99
Drum cartridge Vibration side	102
Drum cartridge Drive side	107
Drum gear	109
Transmission	
Rear axle and wheels	113
4700385100 Rear axle Limited slip	
4700385100 Rear axle Limited slip	115
Differential with limited slip	117
Differential housing and brakes	121
Planet gear	123
4700383856 Rear axle No-Spin, Option	
4700383856 Rear axle No-Spin, Option	125
Differential with no-spin	127
Differential housing and brakes	129
Planet gear	131
Hydraulic system	
Propulsion system, Front	133
Propulsion system, Rear	135
4700380830 Propulsion pump	140
4700373361 Propulsion motor	149
Vibration system	153
Steering system	157
4700389564 Hydraulic motor	
4700389564 Hydraulic motor	161
End cap	163
4700392027 Steering cylinder	165
4700376000 Steering valve	167
Brake system	169
Central test panel hydraulic Option	171
Hydraulic oil tank	173
4700393695 Vibration pump To ECN 11301	
4700393695 Vibration pump	175
Rotating group, cpl	179
4700936609 Valve block, cpl	181
4700380146 Hydraulic motor, vibration	184
Electric system	
Electric system	188
Control panel	193
Working lights Option	197
Rotating beacon Option	199
Options / Accessories	
Decals	201
Decals	203
Decals	205
Tool equipment	207
Fire extinguisher	209
Wheel with all-weather prooftyre Liquid filled	211
Wheel with all-weather prooftyre	213
Heater Simple cab	215
4700379394 Heater box	217
Air conditioner assembly	
Air conditioner mount	219
Compressor cpl	223
Condensor	225

Receiver driver	227
Evaporimeter	229
Appendix B:Parts Index	231

CA510D (II/T2) SN 10000128x 0C003458 - CA510D (II/T2) SN 10000128x 0C003458 -

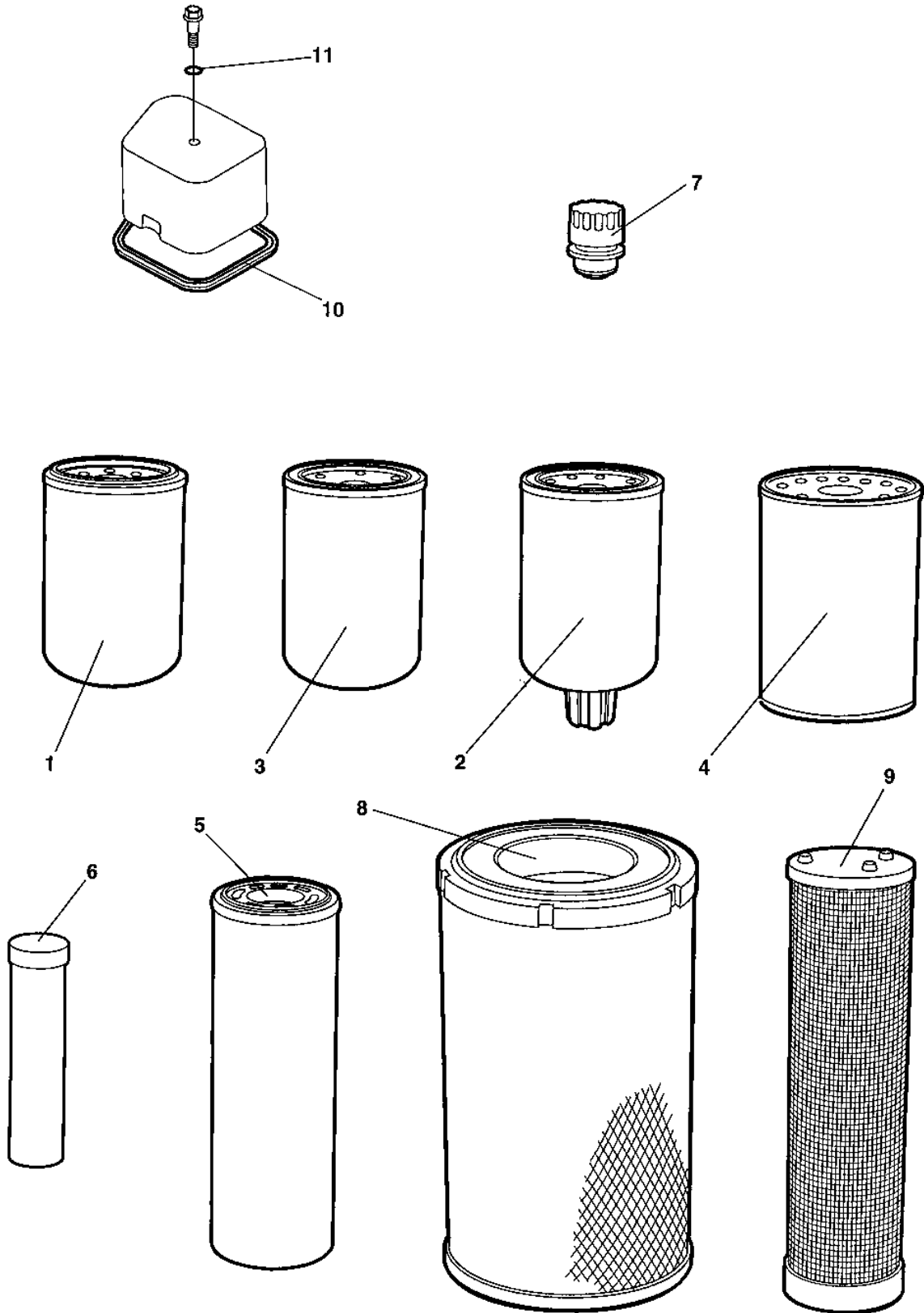


Refer to Parts Online for the most up to date information. The printed information might be outdated.

Thu Aug 20 22:03:39 MDT 2015

Item	Part No.	Name	Qty	L	SN INFO
1		Service, repair and wear part kits	1		
2		Mechanical	1		
3		Operator platform	1		
4		Engine	1		
5		Drive	1		
6		Electric system	1		
7		Electric system	1		
8		Option / assessories	1		

Service, repair and wear part kits 4700945652 Service kit 50 h

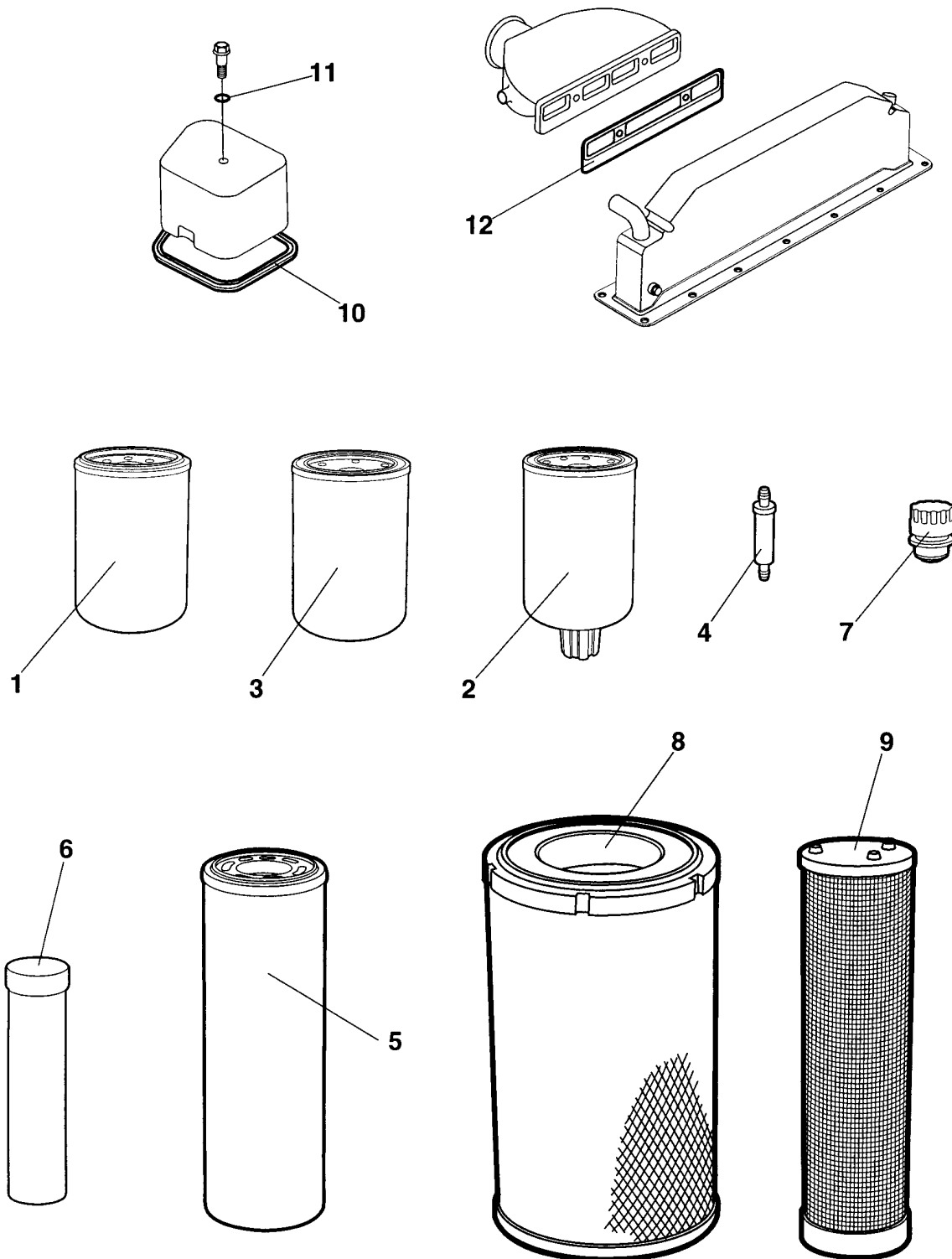


Refer to Parts Online for the most up to date information. The printed information might be outdated.

Thu Aug 20 22:03:39 MDT 2015

Item	Part No.	Name	Qty	L	SN INFO
0	4700945652	Service kit 50 h			
1	4700939503	Oil filter	1		
2	4700939372	Fuel filter element	1		
4	4700939404	Pre-fuel filter element	1		
5	4700372229	Hydraulic oil filter element	1		

Service, repair and wear part kits 4812157268 Service kit 250/750 h

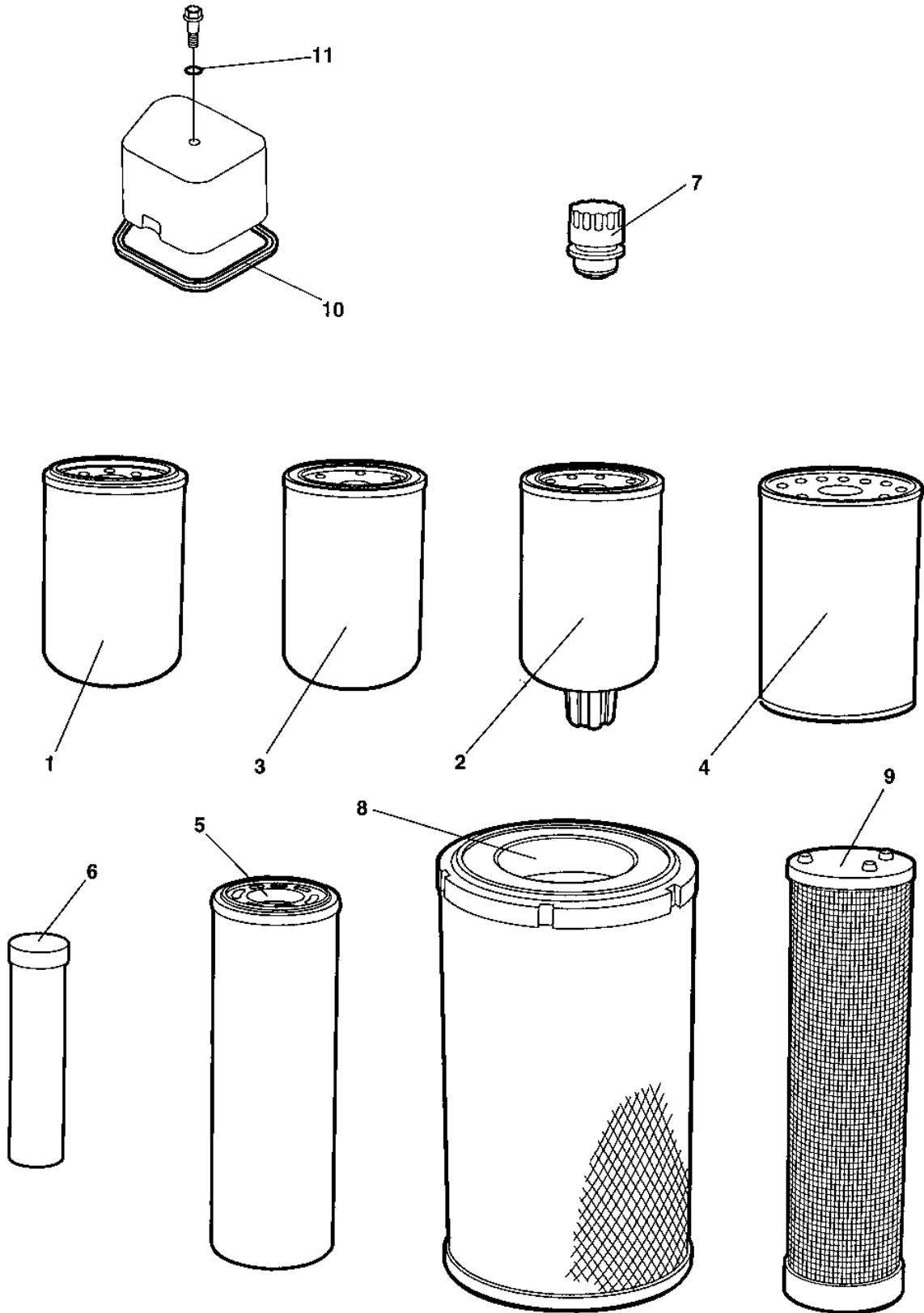


Refer to Parts Online for the most up to date information. The printed information might be outdated.

Thu Aug 20 22:03:39 MDT 2015

Item	Part No.	Name	Qty	L	SN INFO
0	4812157268	Service kit 250/750 h			
1	4700939503	Oil filter	1		

Service, repair and wear part kits 4812157269 Service kit 500h



Refer to Parts Online for the most up to date information. The printed information might be outdated.

Thu Aug 20 22:03:39 MDT 2015

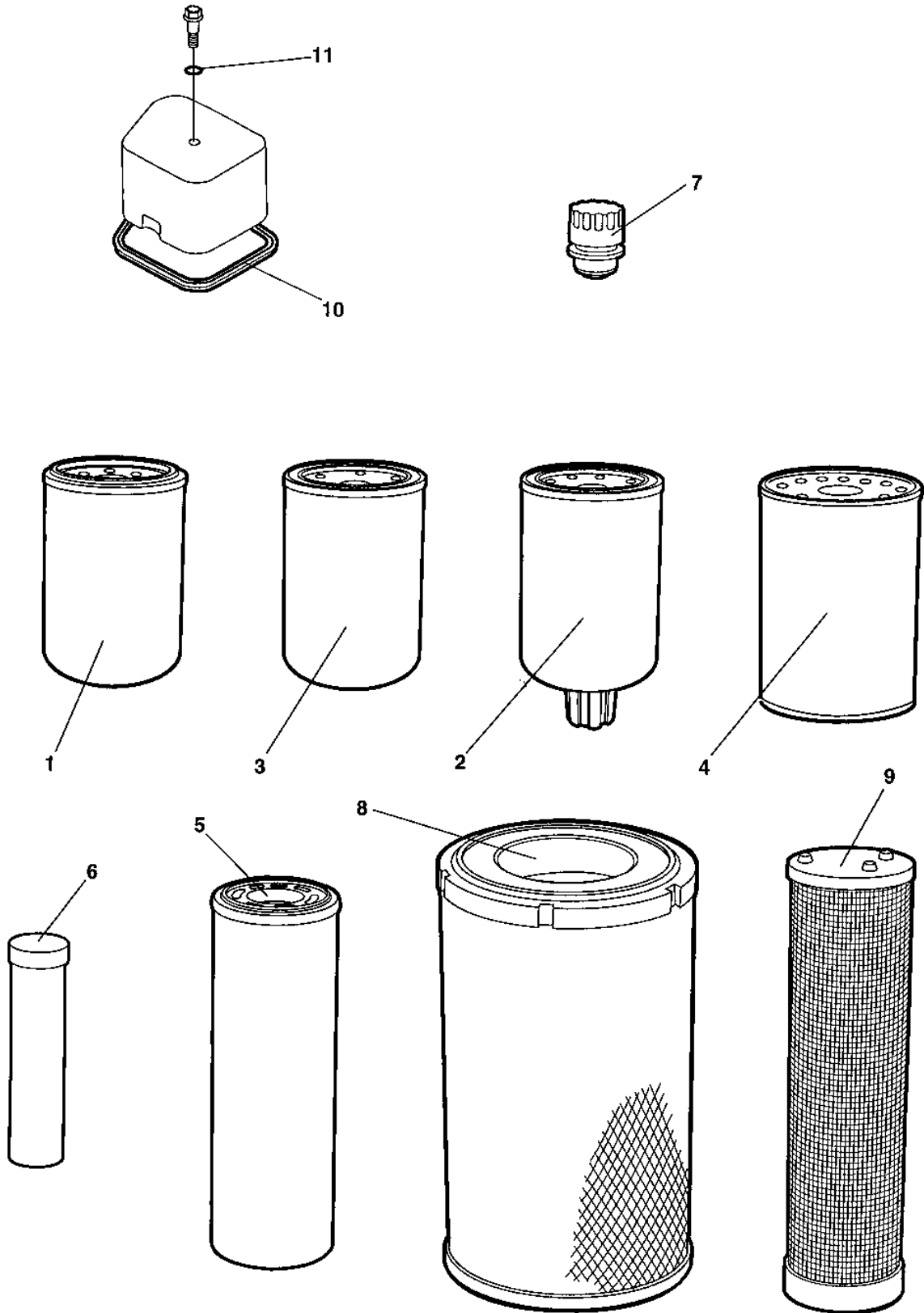
Item	Part No.	Name	Qty	L	SN INFO
0	4812157269	Service kit 500h			
1	4700939503	Oil filter	1		
3	4700939372	Fuel filter element	1	1	
4	4700939404	Pre-fuel filter element	1		
8	4700394690	Air filter element, main	1		

Comments for Page: 4812157269 Service kit 500h

(L)OCAL REMARKS

1 | en_US | With water separator.

Service, repair and wear part kits 4812157270 Service kit 1000h



Refer to Parts Online for the most up to date information. The printed information might be outdated.

Thu Aug 20 22:03:40 MDT 2015

Item	Part No.	Name	Qty	L	SN INFO
0	4812157270	Service kit 1000h			
1	4700939503	Oil filter	1		
3	4700939372	Fuel filter element	1	1	
4	4700939404	Pre-fuel filter element	1	2	
5	4700372229	Hydraulic oil filter element	1		
7	4700357138	Ventilating filter	1		
8	4700394690	Air filter element, main	1		
9	4700394691	Air filter element, safety	1		
10	4700938514	Valve cover gasket	6		
11	4700938516	Gasket	6		

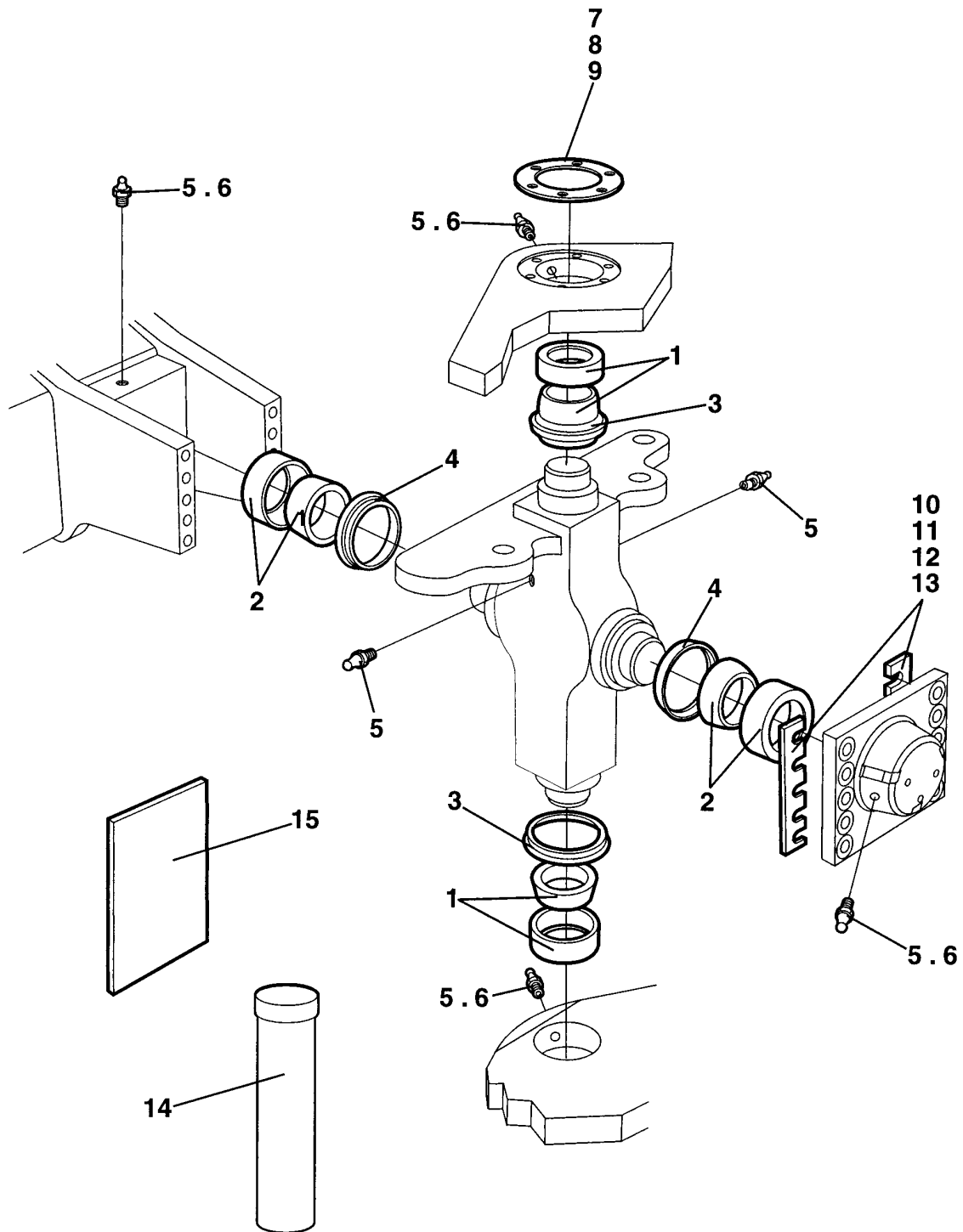
Comments for Page: 4812157270 Service kit 1000h

(L)OCAL REMARKS

1 | en_US | With water separator.

2 | en_US | Pre-Fuel filter.

Service, repair and wear part kits 4700938562 Steering hitch kit



Refer to Parts Online for the most up to date information. The printed information might be outdated.

Thu Aug 20 22:03:40 MDT 2015

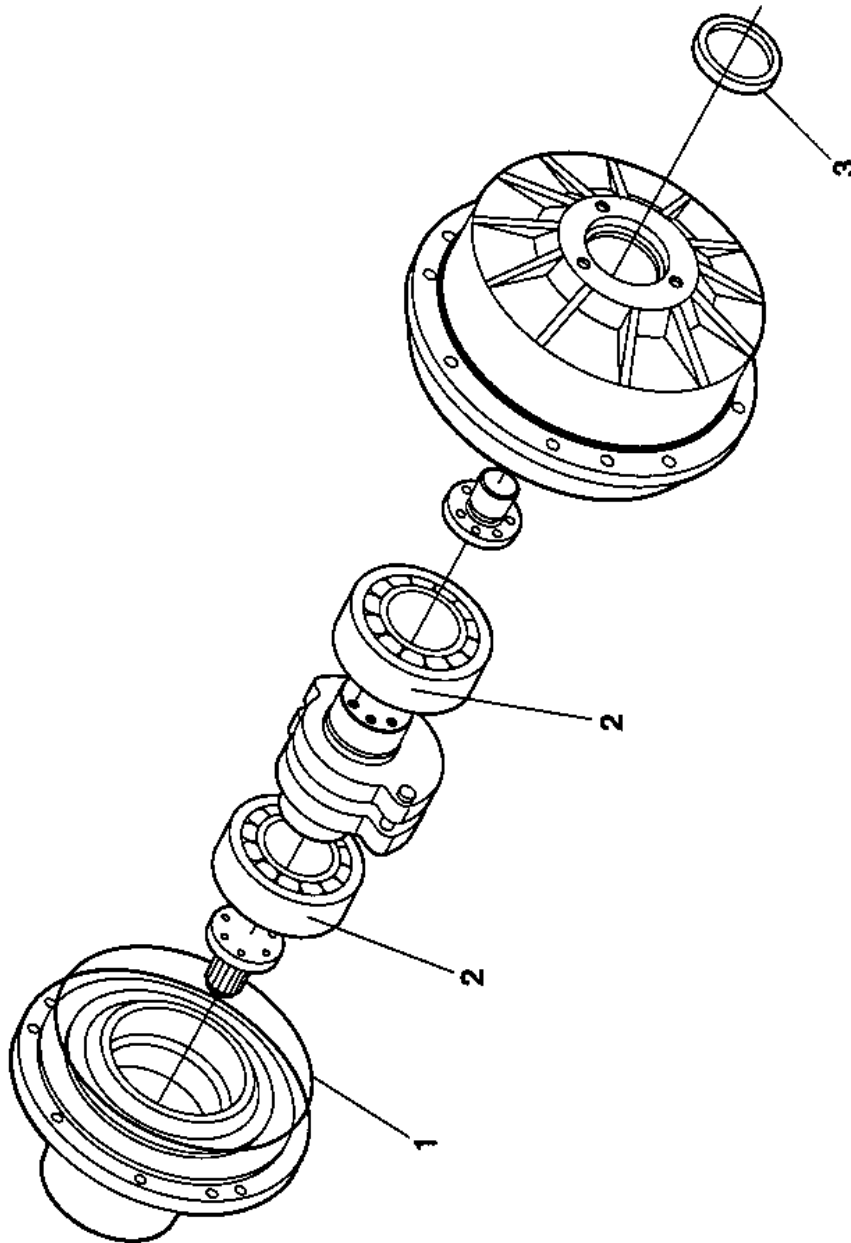
Item	Part No.	Name	Qty	L	SN INFO
0	4700938562	Steering hitch kit			
1	4700100040	Contact spher. Plain bearing	2		
2	4700924620	Axial ball bearing	2		
3	4700167032	Sealing, V-ring	2		
4	4700167033	Ring	2		
5	4700310008	Grease nipple	3	A	
6	4700926214	Grease fitting	2		
7	4700337045	Shim	2		
8	4700345874	Shim T=0,35 mm	2		
9	4700345875	Shim	2		
10	4700337221	Shim T=1,0 mm	2		
11	D433722101	Shim T=0,35 mm	2		
12	D433722102	Shim T=0,10 mm	2		
13	4700384503	Shim T=0,15 mm	2		
14	4700904663	Lube grease " DYNAPAC special approved "	1		
15	-	Instructions	1		

Comments for Page: 4700938562 Steering hitch kit

(L)OCAL REMARKS

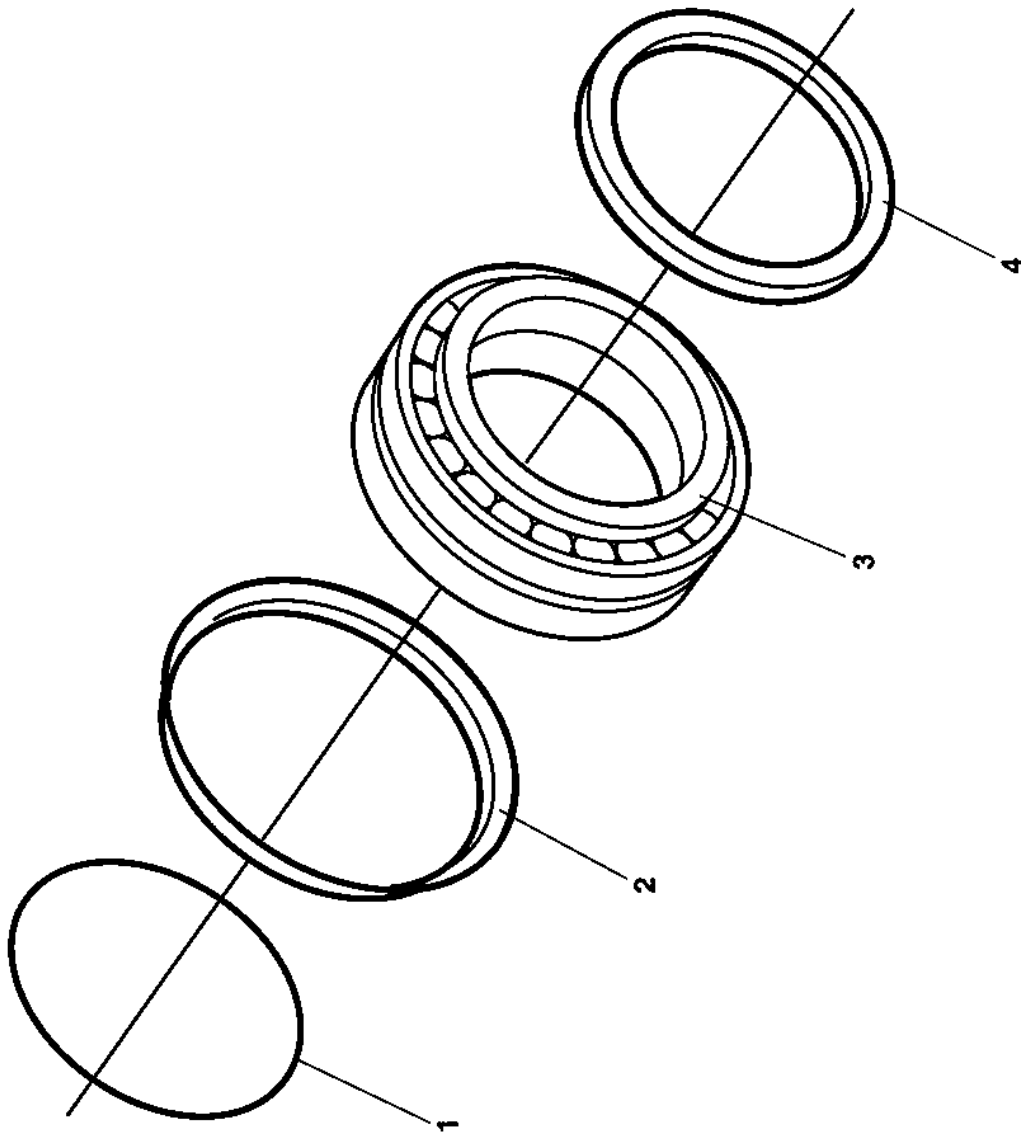
A | en_US | Valid for CC501/CC722 only.

Service, repair and wear part kits 4700945657-A Eccentric shaft kit



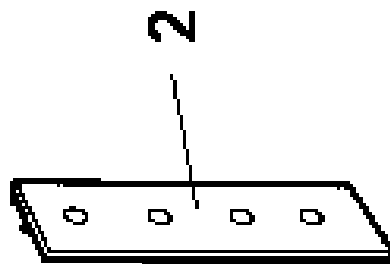
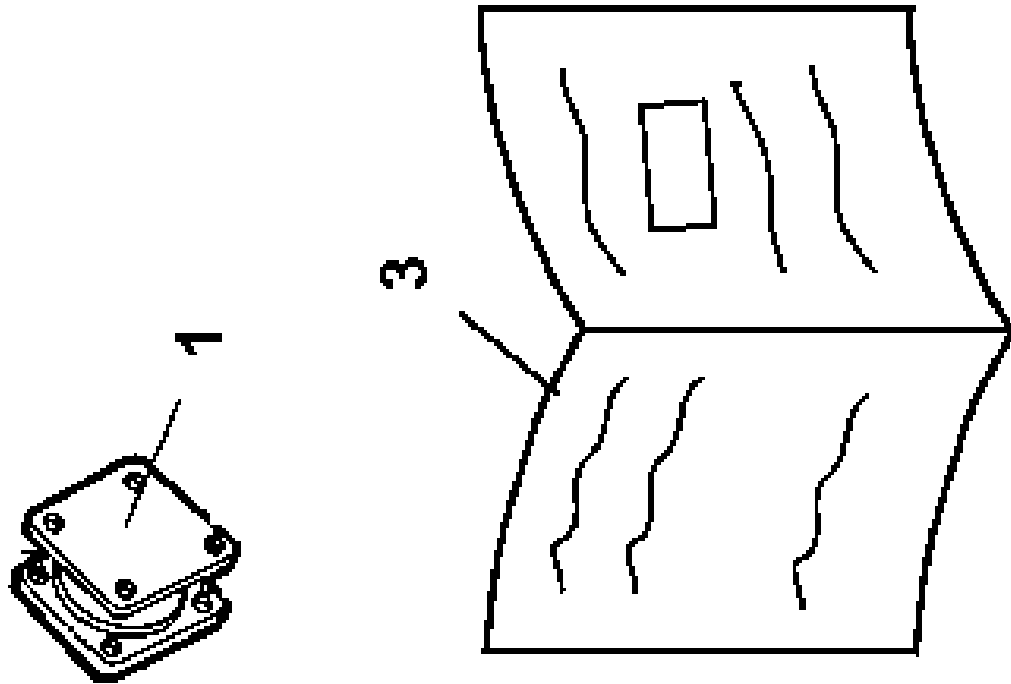
Item	Part No.	Name	Qty	L	SN INFO
0	4700945657	Eccentric shaft kit			
1	4700900776	O-ring	1		
2	4700390896	Spherical roller bearing	2		
3	4700900782	Seal ring	1		

Service, repair and wear part kits 4700938891 Drum rotation kit



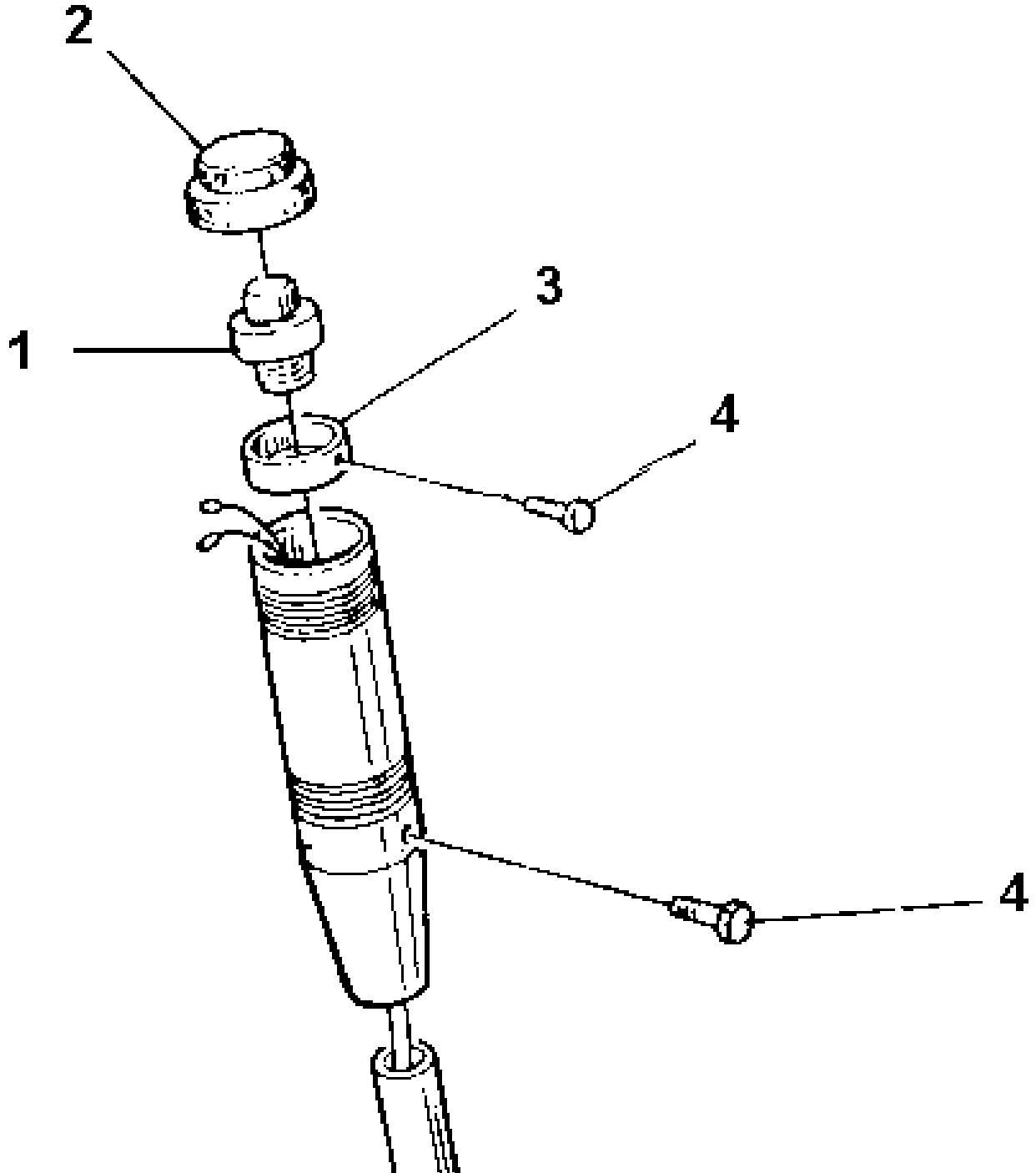
Item	Part No.	Name	Qty	L	SN INFO
0	4700938891	Drum rotation kit			
1	4700160105	O-ring 70	1		
2	4700929447	V-ring	1		
3	4700116041	Taper roller bearing	1		
4	4700386272	Sealing	1		

Service, repair and wear part kits 4700938883 Shock absorber kit, drum



Item	Part No.	Name	Qty	L	SN INFO
0	4700938883	Shock absorber kit, drum			
1	4700358172	Shock absorber	22		
2	4700349973	Shim T=1 mm	4		
3	4812156170	Instructions	1		

Service, repair and wear part kits 4700940662 F/R control button kit

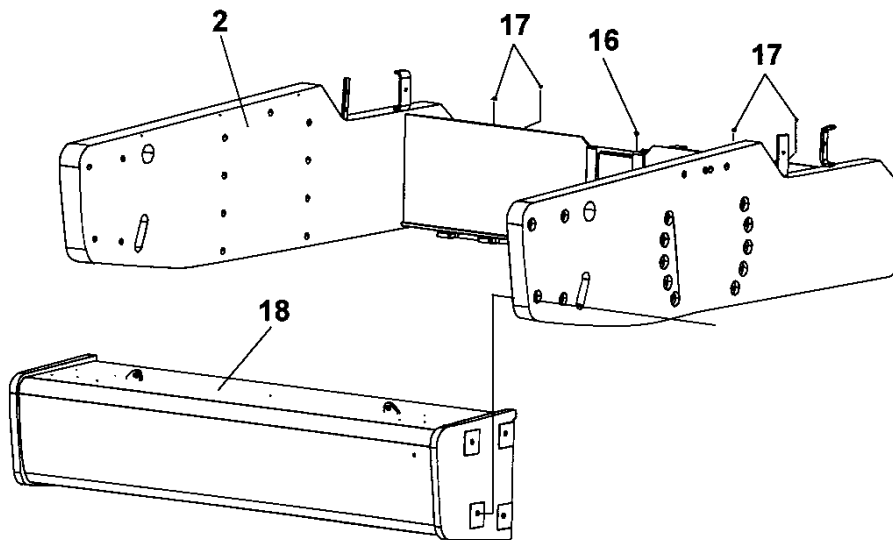
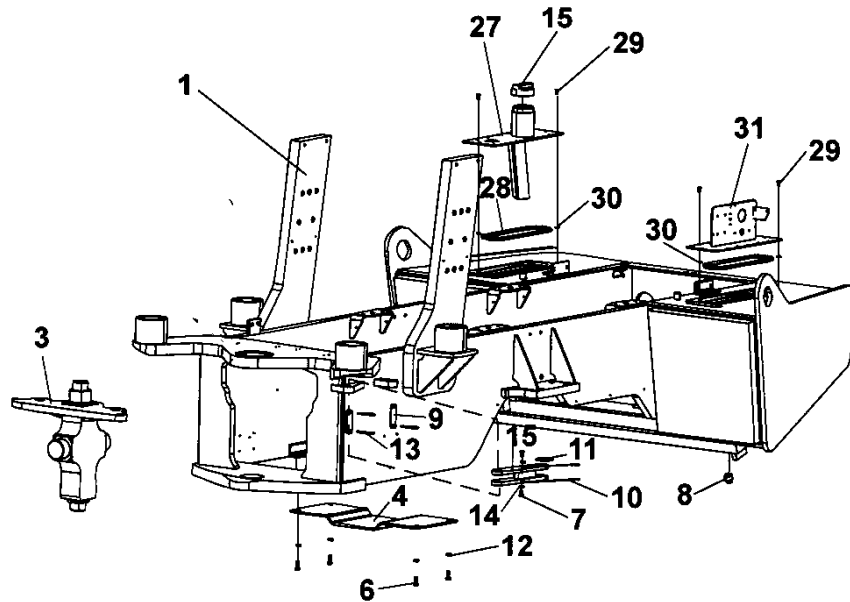


Refer to Parts Online for the most up to date information. The printed information might be outdated.

Thu Aug 20 22:03:41 MDT 2015

Item	Part No.	Name	Qty	L	SN INFO
1	4700928497	Push button	1		
2	4700348481	Cover	1		
3	4700285911	Bushing	1		
4	4700533001	Screw	3		

Mechanical Frames



Refer to Parts Online for the most up to date information. The printed information might be outdated.

Thu Aug 20 22:03:42 MDT 2015

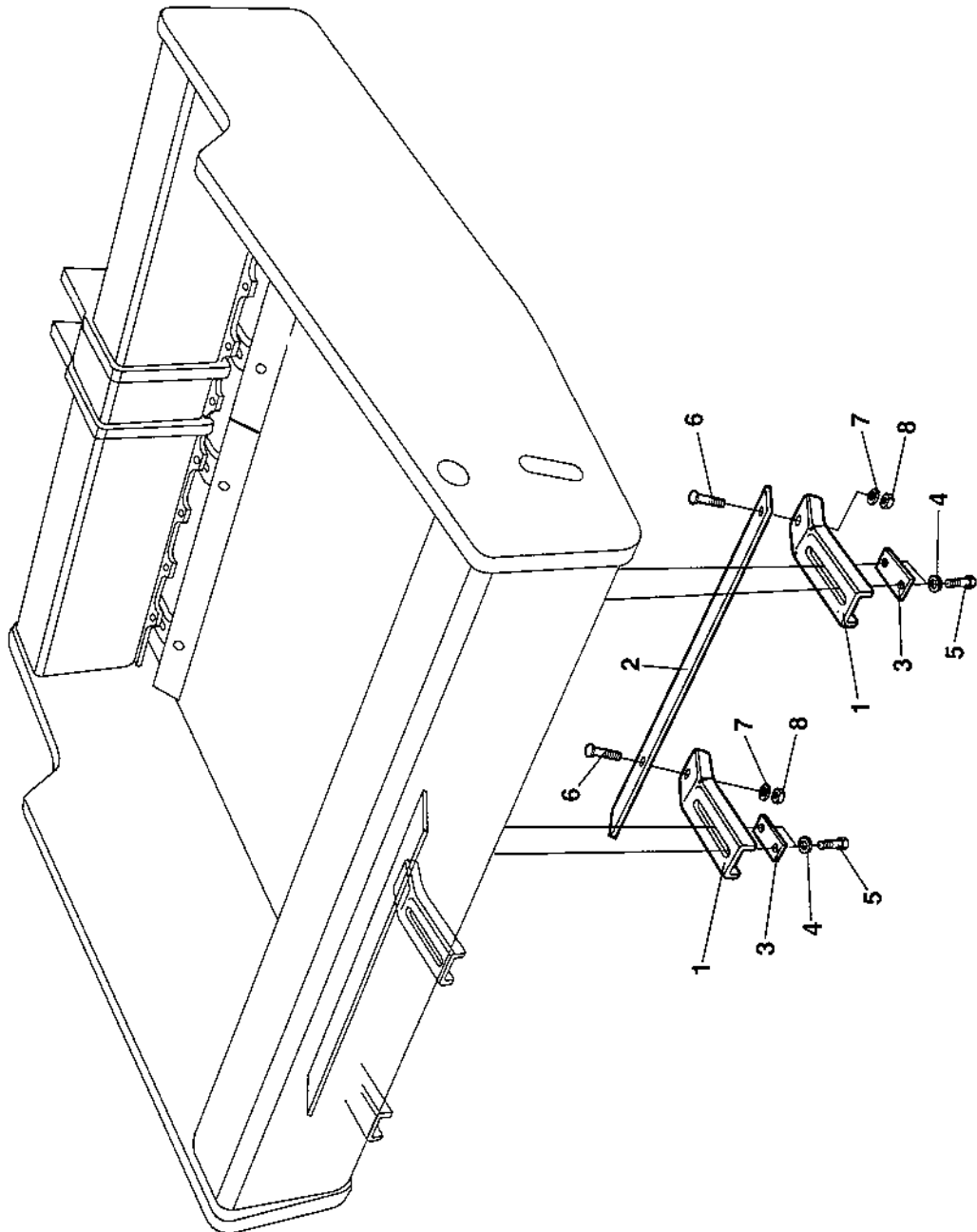
Item	Part No.	Name	Qty	L	SN INFO
1	4812265745	Tractor frame	1		
2	4812265741	Drum frame	1		
3	-	Hitch	1		
4	4700372087	Protective plate	1		
5	4700374744	Safety rod	1		
6	4700500029	Hex. screw	4		
7	4700500043	Hex. screw	2		
8	4700813391	Magnetic plug	1		
9	4700347119	Shaft	2		
10	4700343775	Plastic insulated steelwire	2		
11	4700357488	Spring	1		
12	4700904557	Washer, 10.5x22x4 mm 300 HV	4		
13	4700635061	Hair pin	3		
14	4700904230	Washer 10.5x22x2 mm 300 HV	2		
15	4700373460	Filler cap	1		
15	4700380436	Fuel cap	1	A	
16	4700232041	Filter plug	1		
17	4700902919	Plug	4		
18	4812265742	Crossbeam	1		
19	4700927117	Screw M20x100	4		
20	4700904233	Steel plain washer 21x36x3	8		
21	4700928850	Screw M20-2,5x120 10,9	4		
27	4700397130	Cover	1		
28	4700372709	O-ring	1		
29	4700500188	Screw M8-1,25x14 8,8	32		
30	4700904229	Steel plain washer	32		
31	4812112798	Cover	1		

Comments for Page: Frames

(L)OCAL REMARKS

A | en_US | For Italy

Mechanical Scrapers, Spring Steel



Refer to Parts Online for the most up to date information. The printed information might be outdated.

Thu Aug 20 22:03:42 MDT 2015

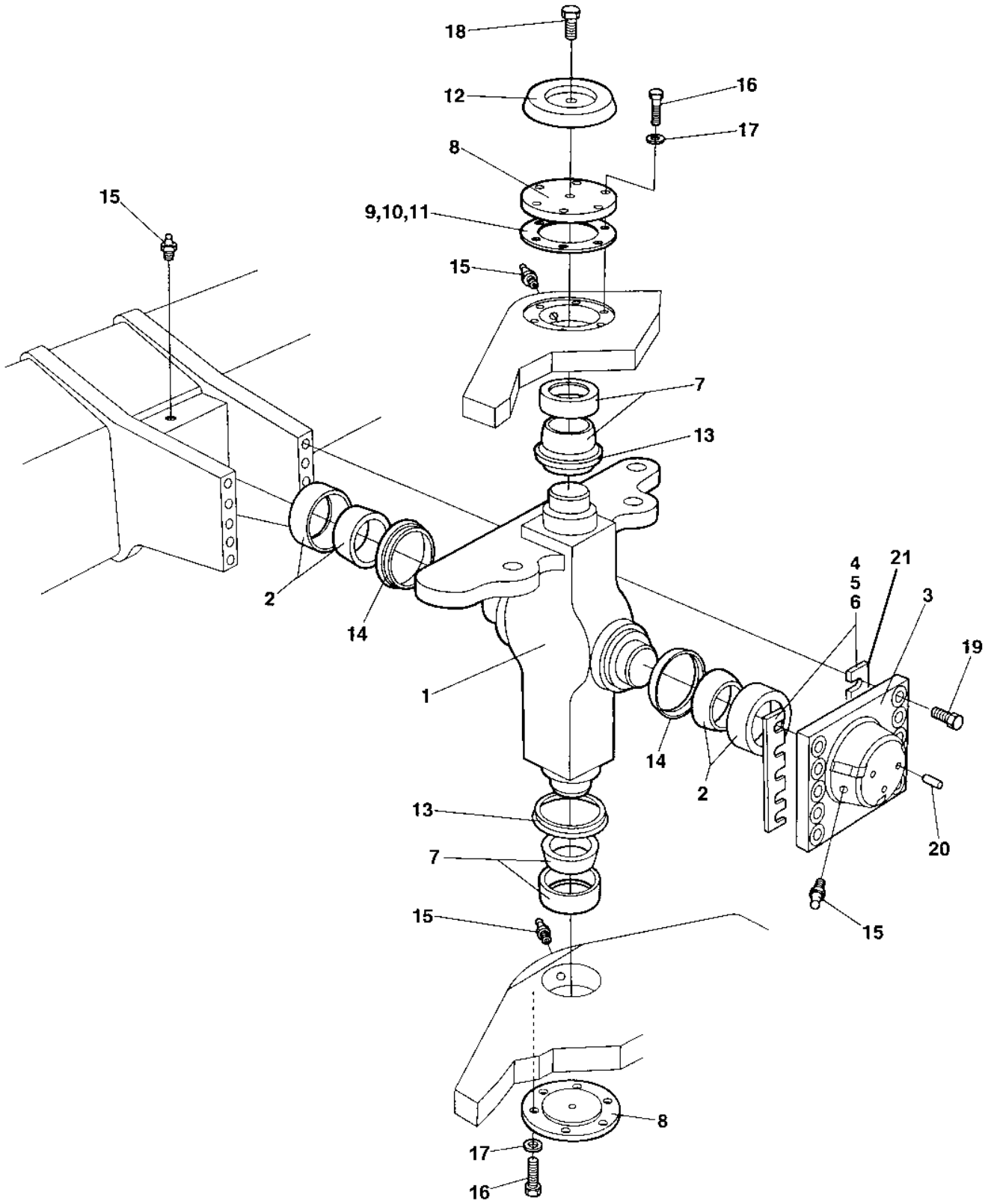
Item	Part No.	Name	Qty	L	SN INFO
1	4700376819	Scraper bracket	8		
2	4700376829	Scraper	4		
3	4700376622	Holder	8		
4	4700904232	Steel plain washer	16		
5	4700500076	Screw M16x55	16		
5	4700500093	Hex. screw	16		
6	4700791948	Bolt M12x40H 8,8	8	A	
7	4700904703	Plain washer 13x24x4 mm	8		
8	4700586019	Lock nut, M12	8		

Comments for Page: Scrapers, Spring Steel

(L)OCAL REMARKS

A | en_US | Cup square neck bolt.

Mechanical Hitch

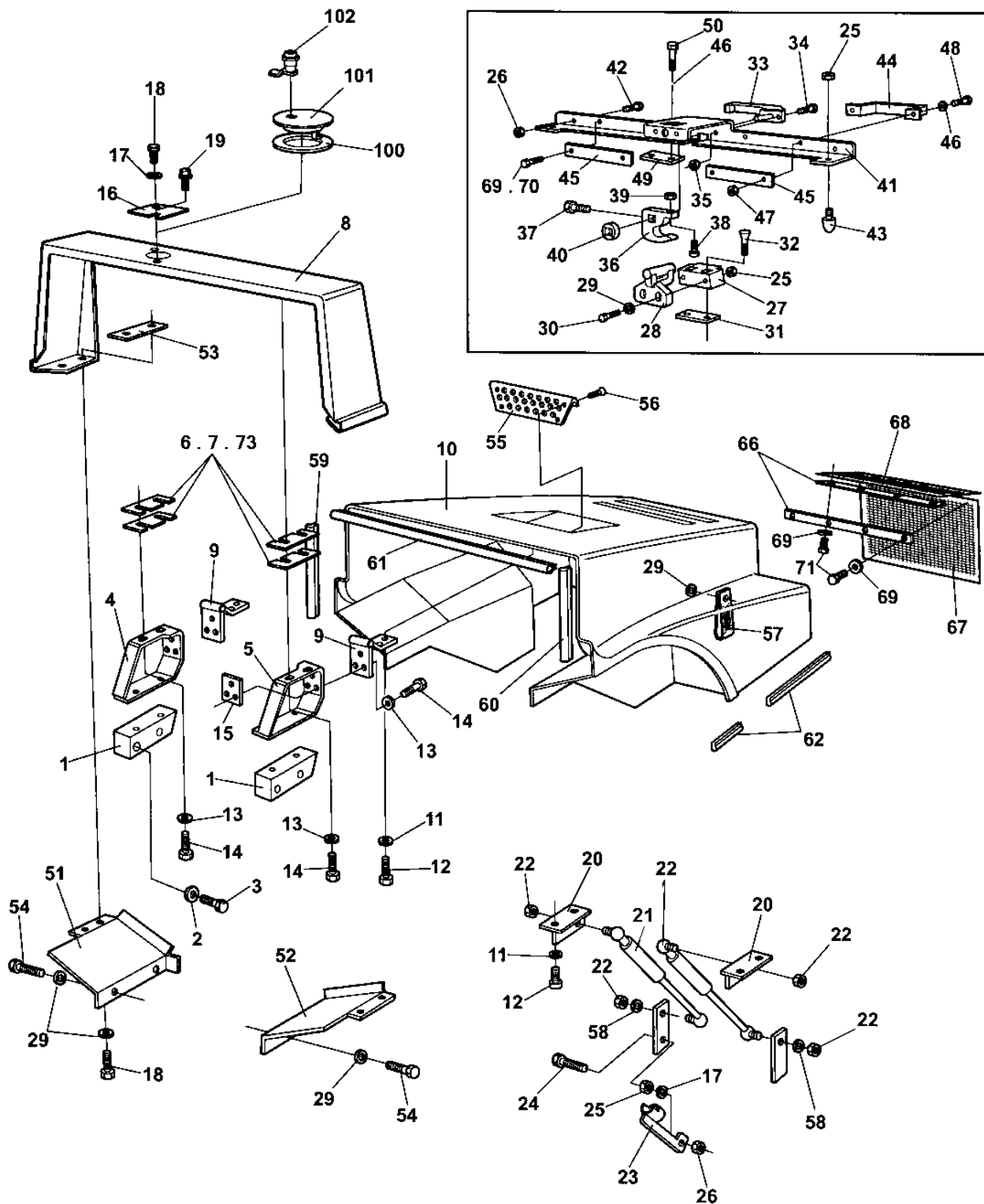


Refer to Parts Online for the most up to date information. The printed information might be outdated.

Thu Aug 20 22:03:43 MDT 2015

Item	Part No.	Name	Qty	L	SN INFO
1	4700374898	Hitch	1		
2	4700924620	Axial ball bearing	2		
3	4700373123	Bearing cover	1		
4	4700337221	Shim T=1,0 mm	N		
5	D433722101	Shim T=0,35 mm	N		
6	D433722102	Shim T=0,10 mm	N		
7	4700100040	Contact spher. Plain bearing	2		
8	4700337042	Bearing cover	2		
9	4700337045	Shim	N		
10	4700345874	Shim T=0,35 mm	N		
11	4700345875	Shim	N		
12	4700343159	Cover	1		
13	4700167032	Sealing, V-ring	2		
14	4700167033	Ring	2		
15	4700926214	Grease fitting	4		
16	4700500037	Hex. screw	12		
17	4700904231	Steel plain washer, 13x24x2 mm 300 HV	12		
18	4700500188	Screw M8-1,25x14 8,8	1		
19	4700904479	Screw M24x110 10,9	10		
19	4700900807	Screw M24x120 10,9	10		
20	4700910995	Stop screw	3		
21	4700384503	Shim T=0,15 mm	N		
22	4700904229	Steel plain washer	1		

Structure To 0C003980 Structure



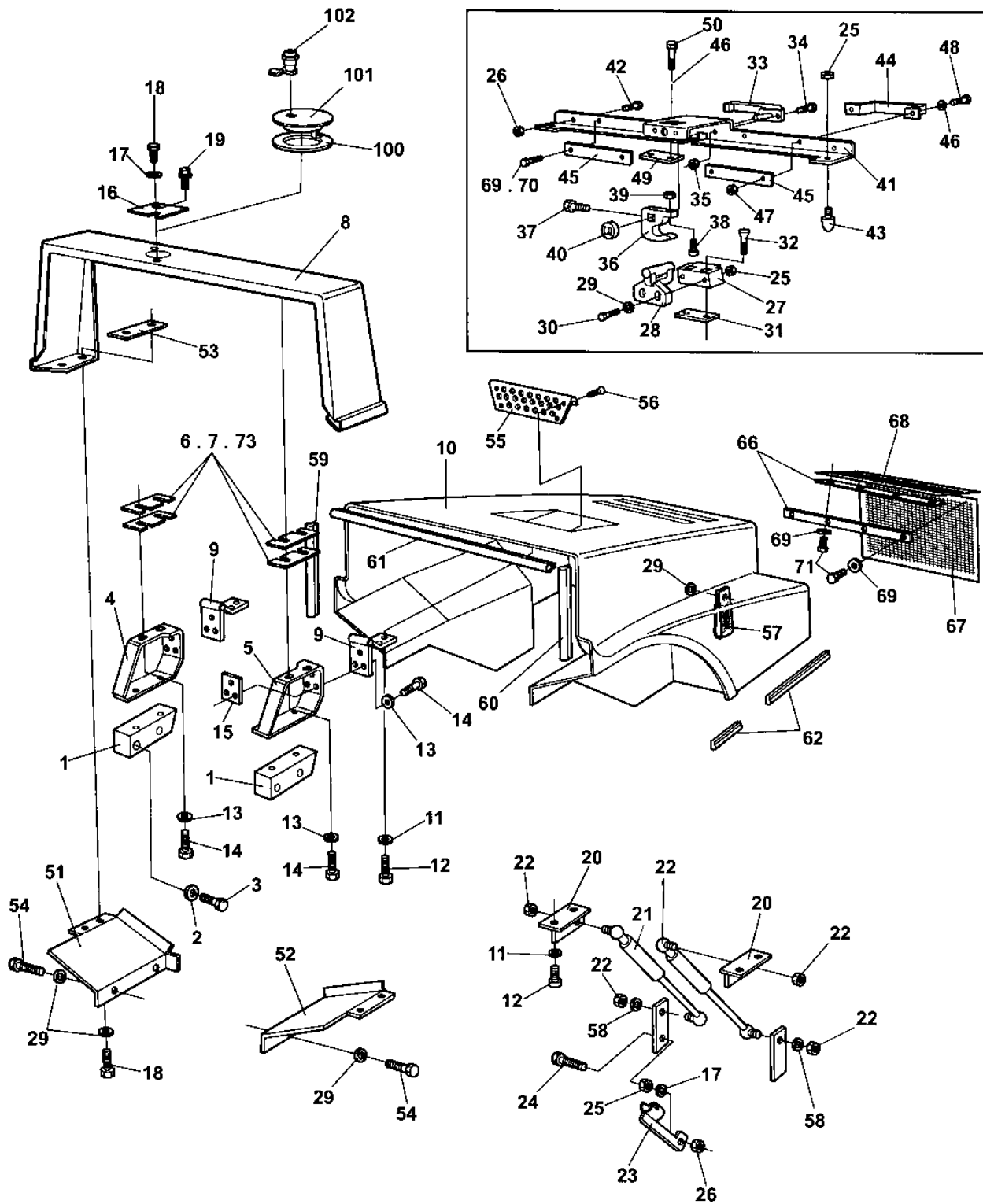
Refer to Parts Online for the most up to date information. The printed information might be outdated.

Thu Aug 20 22:03:43 MDT 2015

Item	Part No.	Name	Qty	L	SN INFO
1	4700381989	Holder	2		
2	4700904231	Steel plain washer, 13x24x2 mm 300 HV	4		
3	4700500133	Screw	4		
4	4700374797	Clamp	1	1	
5	4700374798	Clamp	1	2	
6	4700373956	Shim	N		
7	4700373957	Shim	N		
8	4700385152	Protecting cover	1		
9	4700371366	Hinge	2		
10	4812112987	Hood	1		
11	4700904557	Washer, 10.5x22x4 mm 300 HV	10		
12	4700500028	Hexagon head screw M10x025H, 8.8	10		
13	4700904567	Washer, 10.5 x 28 x 6 mm, 0.41 x 1.10 x 0.24 in. 300 HV	7		
14	4700500030	Hexagon head screw M	7		
15	4700374799	Holder plate	1		
16	4700373955	Cover	1		
17	4700904556	Steel plain washer	2		
18	4700500021	Hex. screw	5		
19	4700500505	Screw, M8 x 20 mm 8.8 A2K	1		
20	4700372608	Bracket	2		
21	4700379248	Gas spring Right	1		
22	4700390182	Gas spring Left	1		
23	4700379251	Safety rod	1		
24	4700904241	Screw	1		
25	4700570005	Hexagon nut	5		
26	4700902286	Lock nut, M8x1.25 mm A2K	3		
27	4700382132	Holder	1		
28	4700382131	Lock clamp	1		
29	4700904640	Washer, 8.4 x 22 x 3 mm, 0.33 x 0.87 x 0.12 in. 300 HV	11		
30	4700500026	Screw M8-1,25x60 mm 8.8	2		
31	4700380109	Holder	1		
32	4700903732	Screw	2		
33	4700382165	Locking handle	1		
33	4700902866	Key Marked "455"	1		
34	4700535011	Slotted countersunk screw M	2		
35	4700902284	Nut M5	2		
36	4700382130	Hook	1		

Refer to Parts Online for the most up to date information. The printed information might be outdated.

Thu Aug 20 22:03:43 MDT 2015



Refer to Parts Online for the most up to date information. The printed information might be outdated.

Thu Aug 20 22:03:43 MDT 2015

Item	Part No.	Name	Qty	L	SN INFO
37	4700500018	Hex. screw	1		
38	4700500040	Screw, M6 x 20 mm 8.8 A2K	1		
39	4700570004	Hex. nut	1		
40	4700382335	Spacer sleeve	1		
41	4700382129	Holder plate	1		
42	4700927637	Hexagon socket countersunk screw	2		
43	4700925629	Shock absorber	2		
44	4700904874	Grab handle	1		
45	4700382355	Holder plate	2		
46	4700904228	Washer 6.4x12x1.5 mm 300 HV	4		
47	4700902285	Nut	2		
48	4700500088	Screw M6x40	2		
49	4700382336	Holder	1		
50	4700500013	Hex. screw	2		
51	4700373204	Holder plate	1	1	
52	4700373203	Holder plate	1	2	
53	4700373309	Holder plate	2		
54	4700500019	Hex. screw	4		
55	4700372575	Grid	1		
56	4700901767	Screw	4		
57	4700374854	Grab handle	1		
58	4700904230	Washer 10.5x22x2 mm 300 HV	2		
59	4700902166	Edge trim	1XL	3	
60	4700902166	Edge trim	1XL	3	
61	4700902166	Edge trim	1XL	4	
62	4700902166	Edge trim	NXL	5	
66	4700202047	Rubber strip	NXL	6	
67	4700372609	Grid	1		
68	4700372695	Grid	1		
69	4700927974	Washer, 5x19x1 mm	20		
70	4700541507	Screw	2		
71	4700904244	Screw	18		
73	4812110773	Shim	N		
100	-	Not used on this model			
101	-	Not used on this model			
102	-	Not used on this model			

Refer to Parts Online for the most up to date information. The printed information might be outdated.

Thu Aug 20 22:03:44 MDT 2015

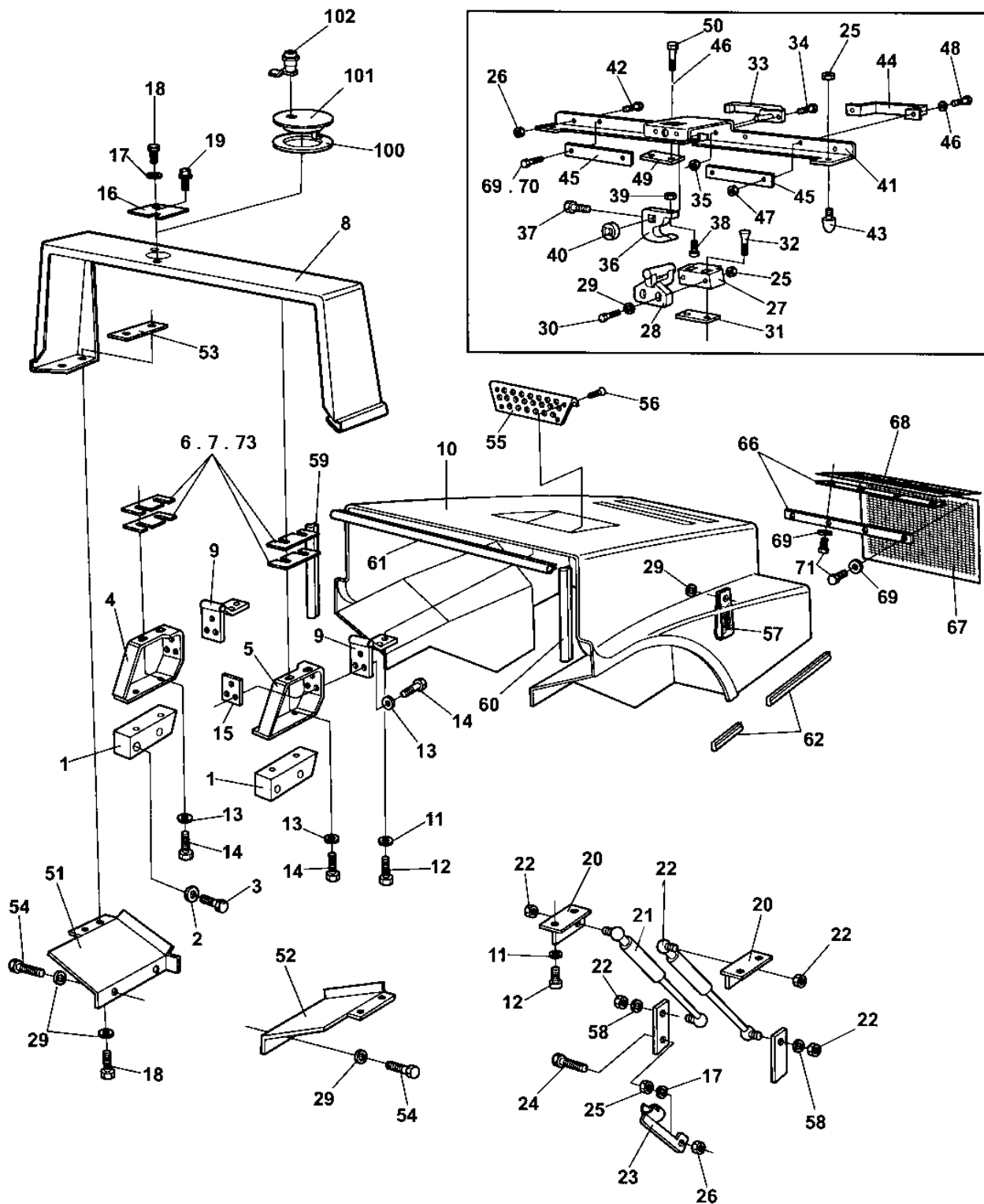
Comments for Page: Structure

(L)OCAL REMARKS

- 1 | en_US | Right hand
- 2 | en_US | Left hand
- 3 | en_US | L = 1,88 m
- 4 | en_US | L = 0,63 m
- 5 | en_US | Total length = 0,48 m
- 6 | en_US | Total length = 4,91 m

This page intentionally left blank

Structure From 0C003981 Structure



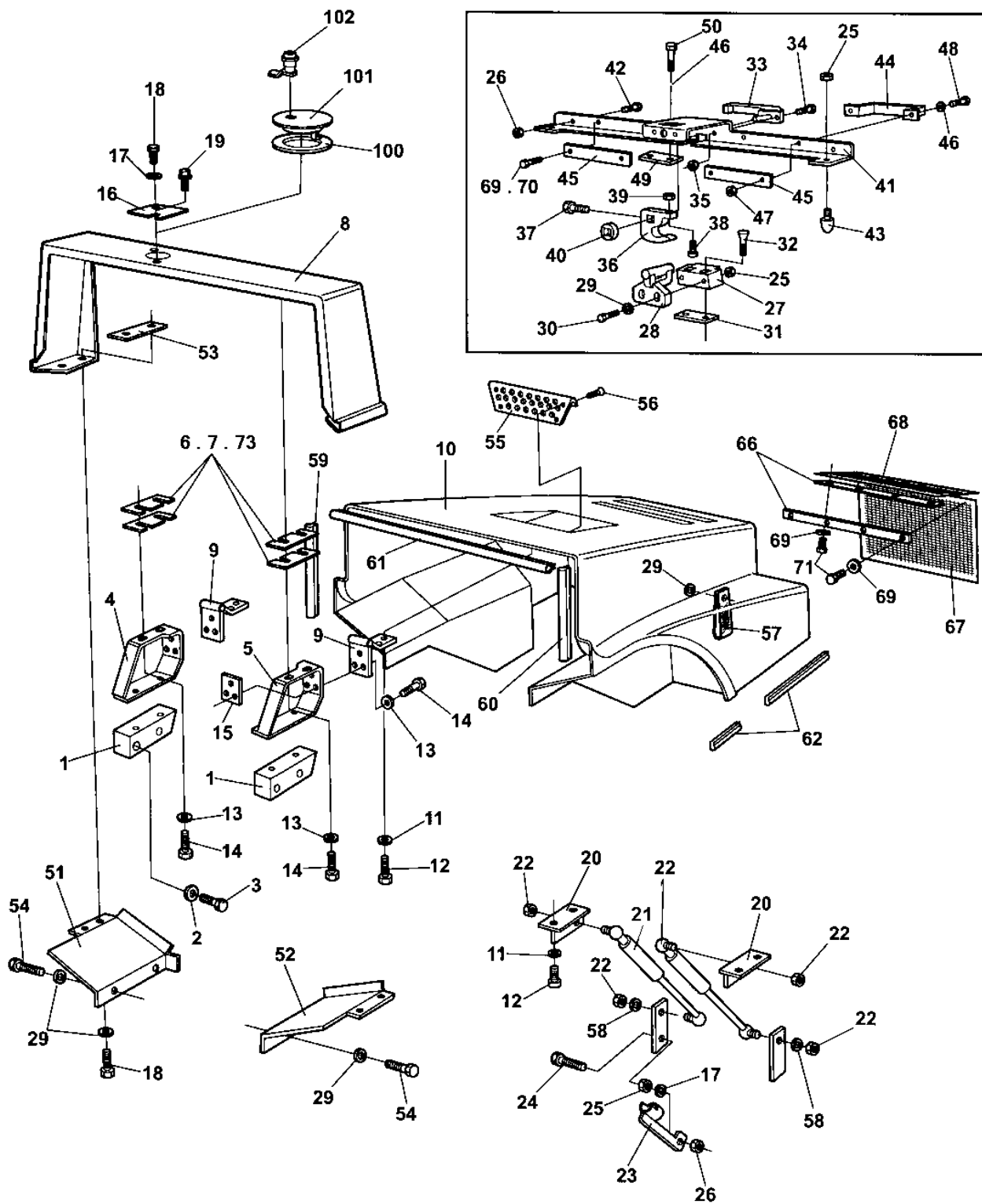
Refer to Parts Online for the most up to date information. The printed information might be outdated.

Thu Aug 20 22:03:45 MDT 2015

Item	Part No.	Name	Qty	L	SN INFO
1	4700381989	Holder	2		
2	4700904231	Steel plain washer, 13x24x2 mm 300 HV	4		
3	4700500133	Screw	4		
4	4700374797	Clamp	1	1	
5	4700374798	Clamp	1	2	
6	4700373956	Shim	N		
7	4700373957	Shim	N		
8	4812265107	Protecting cover	1		
9	4700371366	Hinge	2		
10	4812265106	Hood	1		
11	4700904557	Washer, 10.5x22x4 mm 300 HV	10		
12	4700500028	Hexagon head screw M10x025H, 8.8	10		
13	4700904567	Washer, 10.5 x 28 x 6 mm, 0.41 x 1.10 x 0.24 in. 300 HV	7		
14	4700500030	Hexagon head screw M	7		
15	4700374799	Holder plate	1		
16	4700373955	Cover	1		
17	4700904556	Steel plain washer	2		
18	4700500021	Hex. screw	5		
19	4700500505	Screw, M8 x 20 mm 8.8 A2K	1		
20	4700372608	Bracket	2		
21	4812265113	Gas spring Right	1		
22	4812265114	Gas spring Left	1		
23	4700379251	Safety rod	1		
24	4700904241	Screw	1		
25	4700570005	Hexagon nut	5		
26	4700902286	Lock nut, M8x1.25 mm A2K	3		
27	4700382132	Holder	1		
28	4700382131	Lock clamp	1		
29	4700904640	Washer, 8.4 x 22 x 3 mm, 0.33 x 0.87 x 0.12 in. 300 HV	11		
30	4700500026	Screw M8-1,25x60 mm 8.8	2		
31	4700380109	Holder	1		
32	4700903732	Screw	2		
33	4700382165	Locking handle	1		
33	4700902866	Key Marked "455"	1		
34	4700535011	Slotted countersunk screw M	2		
35	4700902284	Nut M5	2		
36	4700382130	Hook	1		

Refer to Parts Online for the most up to date information. The printed information might be outdated.

Thu Aug 20 22:03:45 MDT 2015



Refer to Parts Online for the most up to date information. The printed information might be outdated.

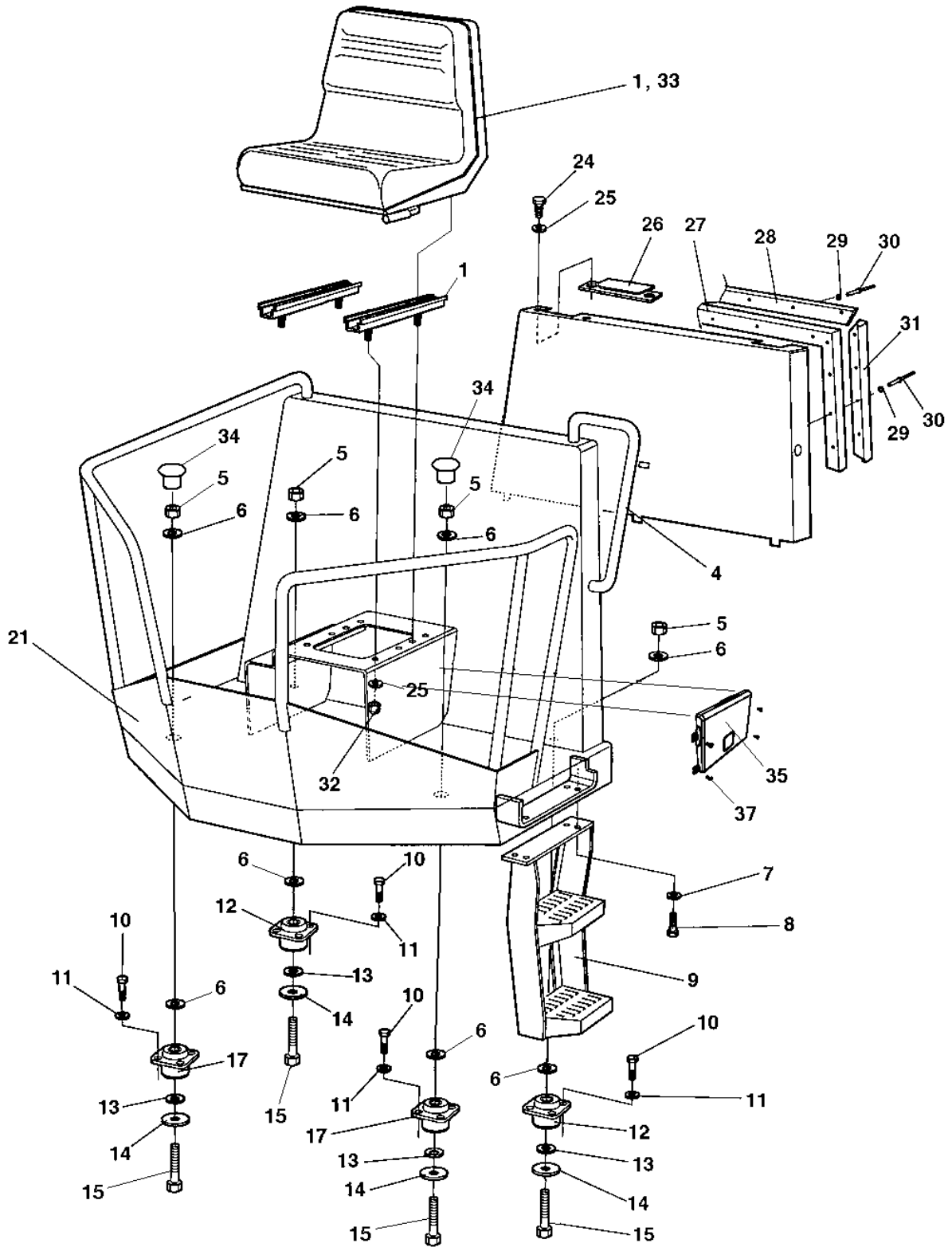
Thu Aug 20 22:03:45 MDT 2015

Item	Part No.	Name	Qty	L	SN INFO
37	4700500018	Hex. screw	1		
38	4700500040	Screw, M6 x 20 mm 8.8 A2K	1		
39	4700570004	Hex. nut	1		
40	4700382335	Spacer sleeve	1		
41	4700382129	Holder plate	1		
42	4700927637	Hexagon socket countersunk screw	2		
43	4700925629	Shock absorber	2		
44	4700904874	Grab handle	1		
45	4700382355	Holder plate	2		
46	4700904228	Washer 6.4x12x1.5 mm 300 HV	4		
47	4700902285	Nut	2		
48	4700500088	Screw M6x40	2		
49	4700382336	Holder	1		
50	4700500013	Hex. screw	2		
51	4812265108	Holder plate	1	1	
52	4812265109	Holder plate	1	2	
53	4812265129	Holder plate	2		
54	4700500019	Hex. screw	4		
55	4700372575	Grid	1		
56	4700901767	Screw	4		
57	4812265832	Grab handle	1		
58	4700904230	Washer 10.5x22x2 mm 300 HV	2		
59	4700902166	Edge trim	1XL	3	
60	4700902166	Edge trim	1XL	3	
61	4700902166	Edge trim	1XL	4	
62	4700902166	Edge trim	NXL	5	
66	4700202047	Rubber strip	NXL	6	
67	4700372609	Grid	1		
68	4700372695	Grid	1		
69	4700927974	Washer, 5x19x1 mm	20		
70	4700541507	Screw	2		
71	4700904244	Screw	18		
73	4812110773	Shim	N		
74	4812265128	Shim	N		
100	-	Not used on this model			
101	-	Not used on this model			
102	-	Not used on this model			

Refer to Parts Online for the most up to date information. The printed information might be outdated.

Thu Aug 20 22:03:45 MDT 2015

Operator platform Drivers platform



Refer to Parts Online for the most up to date information. The printed information might be outdated.

Thu Aug 20 22:03:46 MDT 2015

Item	Part No.	Name	Qty	L	SN INFO
1	4700377556	Drivers seat, cpl	1		
1	4812114466	Drivers seat, cpl	1		
1	4700379636	Seat switch	1		
1	4700377518	Drivers seat, cpl	1	A	
1	4700945622	Seat switch	1		
1	4700348331	Seat protector	1		
4	4700380123	Grab handle	1	F	
5	4700901145	Lock nut M20-10	4		
6	4700904233	Steel plain washer 21x36x3	8		
7	4700904230	Washer 10.5x22x2 mm 300 HV	8		
8	4700500029	Hex. screw	4		
9	4700376252	Step	1		
10	4700500195	Screw	16		
11	4700904231	Steel plain washer, 13x24x2 mm 300 HV	16		
12	4700372757	Shock absorber	2		
13	4700903290	Steel plain washer 21x36x6	4		
14	4700347512	Washer	4		
15	4700500210	Drive sprocket, outer	4		
15	4700500211	Screw	4		
16	4700374471	Spacer	4		
17	4700373400	Shock absorber	2		
21	4700380113	Platform	1		
24	4700500053	Screw, M8 x 20 mm 8.8 A2K	4		
25	4700904229	Steel plain washer	8		
26	4700380727	Cover	2		
27	4700372494	Rubber strip	1	E	
28	4700372785	List	1		
29	4700927974	Washer, 5x19x1 mm	13		
30	4700904433	Blind rivet	13		
31	4700382582	List	2		
32	4700570003	Hex. nut	4		
33	4700379636	Seat switch	1	H	
33	4812155075	Seat switch	1	I	
34	4700902203	Plug	2		
35	-	Not used on this model			
37	-	Not used on this model			

Comments for Page: Drivers platform

(L)OCAL REMARKS

A | en_US | Option

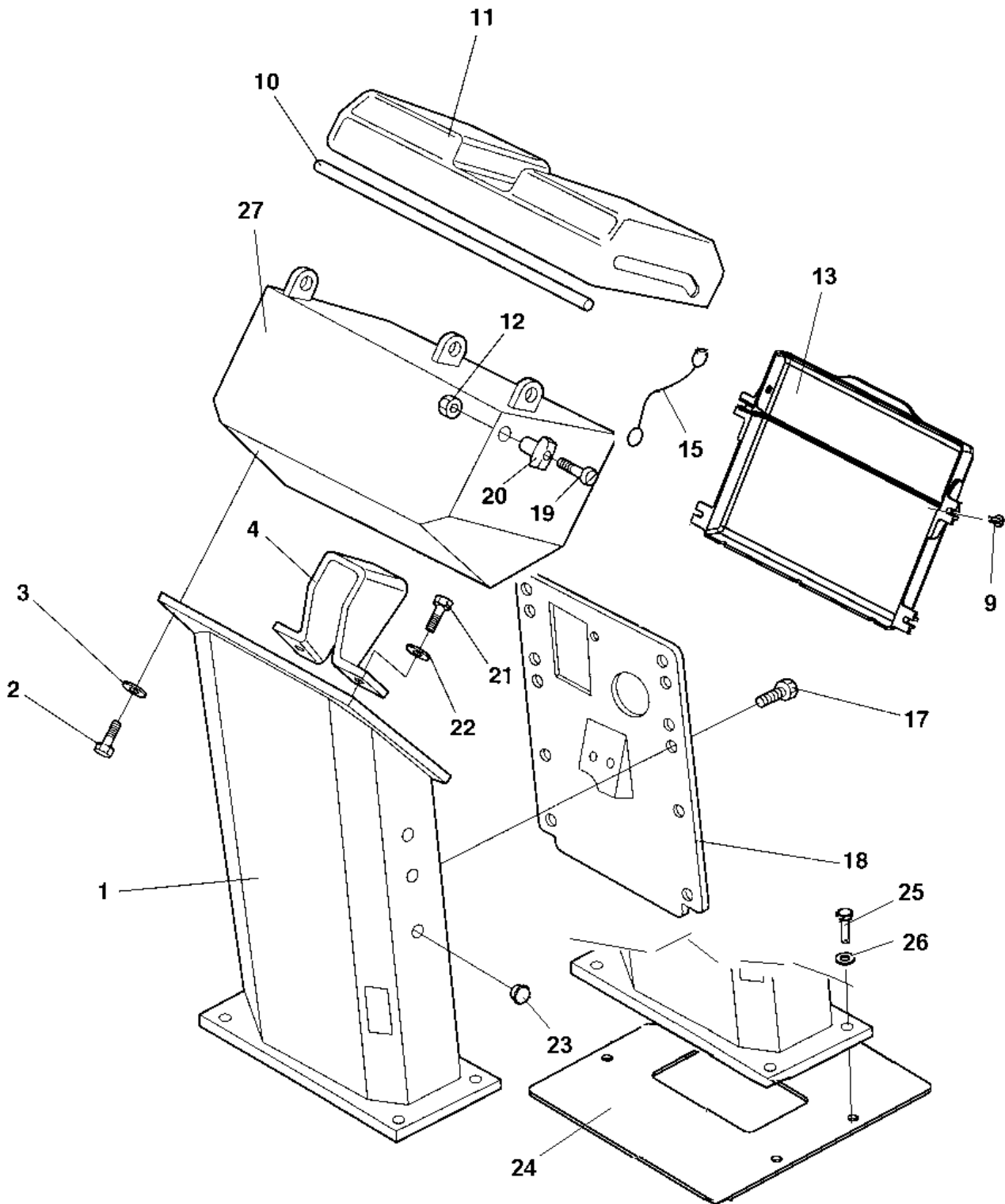
E | en_US | L=2,4 M

F | en_US | Welded with platform 4700380113.

H | en_US | With bayonet fitting.

I | en_US | With screws.

This page intentionally left blank

Operator platform Control panel

Refer to Parts Online for the most up to date information. The printed information might be outdated.

Thu Aug 20 22:03:47 MDT 2015

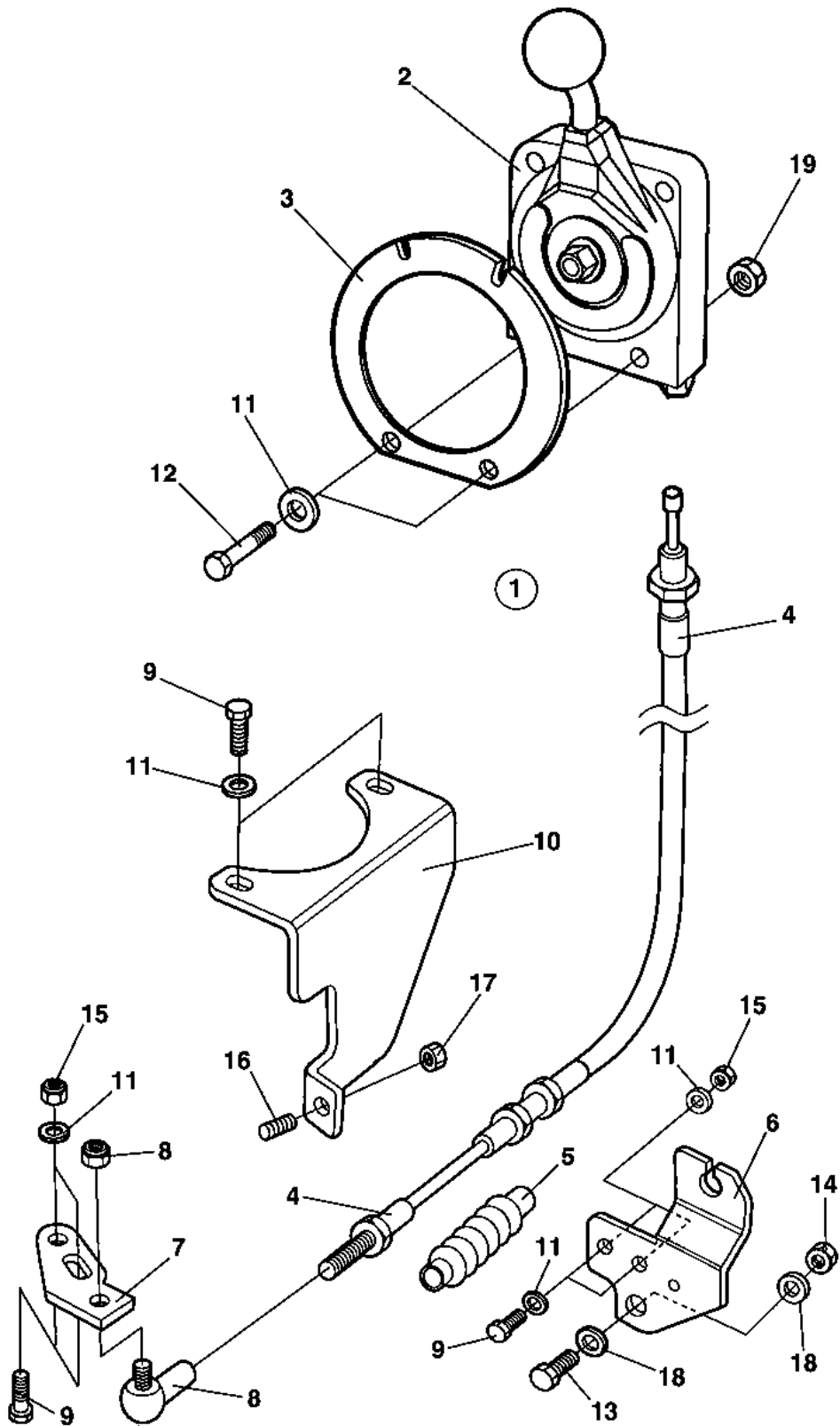
Item	Part No.	Name	Qty	L	SN INFO
1	4700358142	Control panel	1		
2	4700500040	Screw, M6 x 20 mm 8.8 A2K	4		
3	4700904228	Washer 6.4x12x1.5 mm 300 HV	4		
4	4700357316	Bracket	1		
9	4700791226	Screw	4		
10	4700902379	Edge trim	1	A	
11	4700357424	Cover	1		
11	4700358881	Pad lock	1		
12	4700586002	Lock nut M6 -8	2		
13	4700383705	Instruction manual box	1		
15	4700357643	Wire	1		
17	4700541702	Screw M6x12	8		
18	4700358143	Cover	1		
19	4700924875	Screw	2		
20	4700357855	Bushing	2		
21	4700500021	Hex. screw	4		
22	4700904640	Washer, 8.4 x 22 x 3 mm, 0.33 x 0.87 x 0.12 in. 300 HV	4		
23	4700902919	Plug	4		
24	4700380685	Cover plate	1		
25	4700500030	Hexagon head screw M	4		
26	4700904230	Washer 10.5x22x2 mm 300 HV	4		
27	4700357320	Instrument box	1		

Comments for Page: Control panel

(L)OCAL REMARKS

A | en_US | L=350 mm

Operator platform Throttle control



Refer to Parts Online for the most up to date information. The printed information might be outdated.
Thu Aug 20 22:03:47 MDT 2015

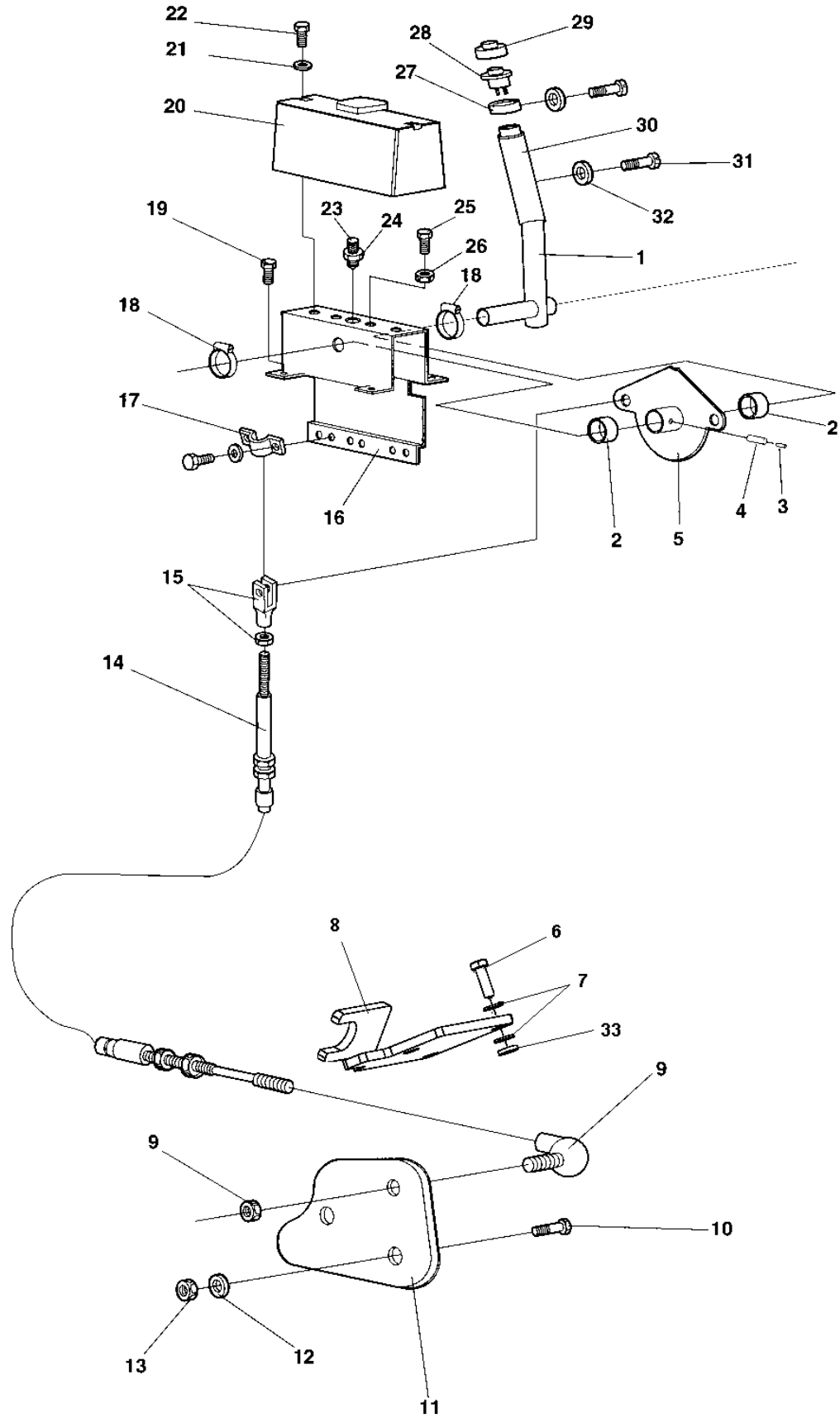
Item	Part No.	Name	Qty	L	SN INFO
1	4700389170	Throttle control, cpl	1		
2	4700389175	Control	1		
3	4700389177	Snap plate	1		
4	4700389184	Throttle cable	1	A	
5	4700382349	Bellows	1		
6	4700386768	Bracket	1		
7	4700387633	Control lever	1		
8	4700416034	Universal joint, M6	1		
9	4700500040	Screw, M6 x 20 mm 8.8 A2K	6		
10	4700388203	Bracket	1		
11	4700904228	Washer 6.4x12x1.5 mm 300 HV	10		
12	4700500015	Hex. screw	2		
13	4700947680	Hexagon head screw m	1		
14	4700570005	Hexagon nut	1		
15	4700570004	Hex. nut	4		
16	4700923874	Screw M8x25	1		
17	4700573008	Nut M8	1		
18	4700904229	Steel plain washer	2		
19	4700902285	Nut	2		

Comments for Page: Throttle control

(L)OCAL REMARKS

A | en_US | L=3040MM

Operator platform Forward and reverse control

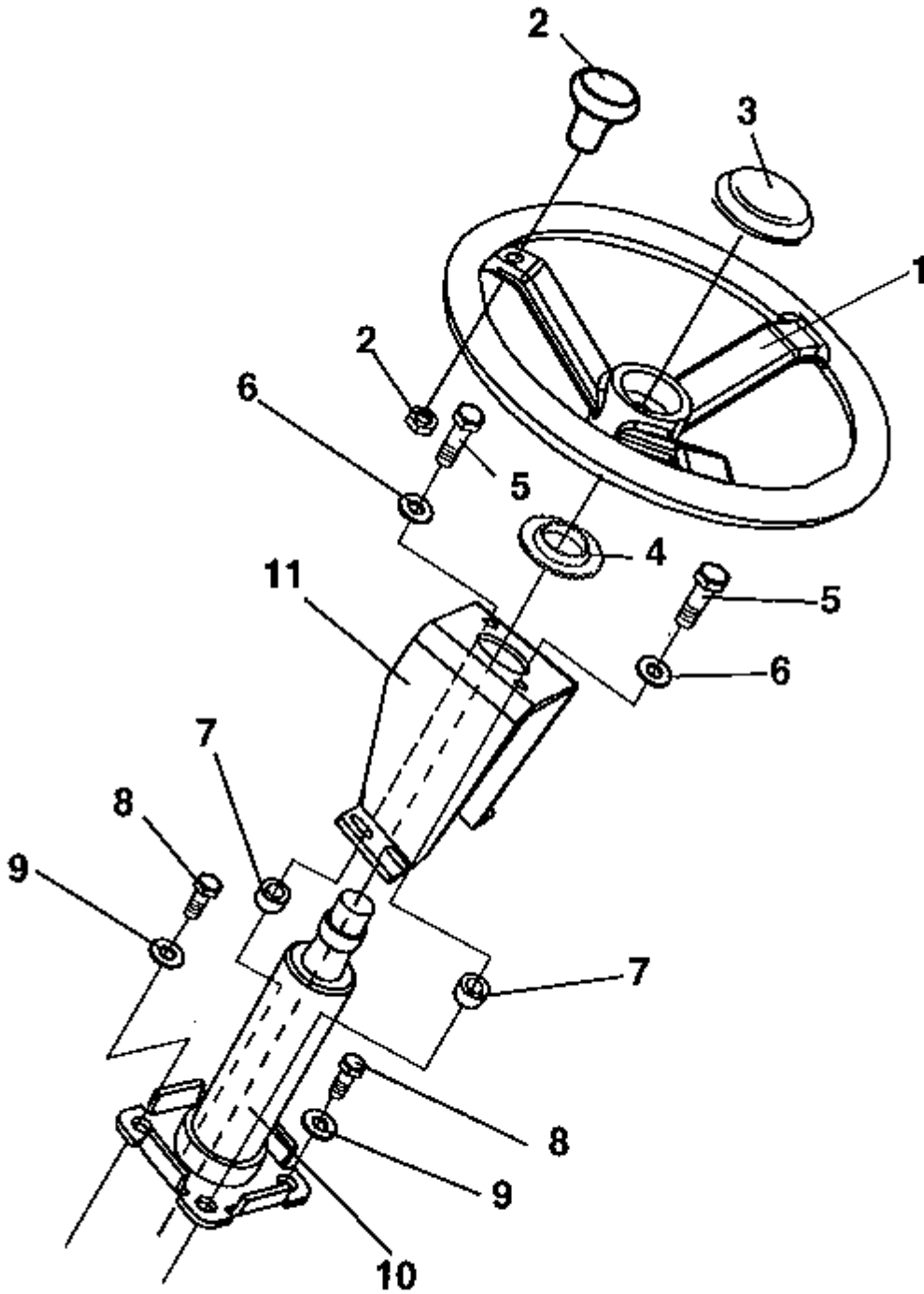


Refer to Parts Online for the most up to date information. The printed information might be outdated.

Thu Aug 20 22:03:48 MDT 2015

Item	Part No.	Name	Qty	L	SN INFO
1	4700357501	Control lever	1		
2	4700902187	Bearing	2		
3	4700903395	Spirol pin	1		
4	4700629016	Expanding	1		
5	4700902895	Cam disc	1		
6	4700947680	Hexagon head screw m	3		
7	4700904229	Steel plain washer	6		
8	4700382885	Control bracket	1		
9	4700416034	Universal joint, M6	1		
10	4700500021	Hex. screw	2		
11	4700380366	Control bracket	1		
12	4700904229	Steel plain washer	2		
13	4700586003	Nut, M8	2		
14	4700902191	Control cable	1		
15	4700416004	Fork	1		
16	4700902896	Framing	1		
17	4700902189	Bracket	1		
18	4700313035	Clamp	2		
19	4700541703	thread forming screw	4		
20	4812274390	Cover	1		
21	4700904228	Washer 6.4x12x1.5 mm 300 HV	2		
22	4700500013	Hex. screw	2		
23	4700922325	Spring ball plunger	1		
24	4700573004	Nut	1		
25	4700533038	Cylinder screw	2		
26	4700570004	Hex. nut	2		
27	4700285911	Bushing	1		
28	4700928497	Push button	1		
29	4700348481	Cover	1		
30	4700285909	Grab handle	1		
31	4700533001	Screw	3		
32	4700904697	Washer 3,2x6x0,5	3		
33	4700904556	Steel plain washer	3		

Operator platform Steering column



Refer to Parts Online for the most up to date information. The printed information might be outdated.

Thu Aug 20 22:03:48 MDT 2015

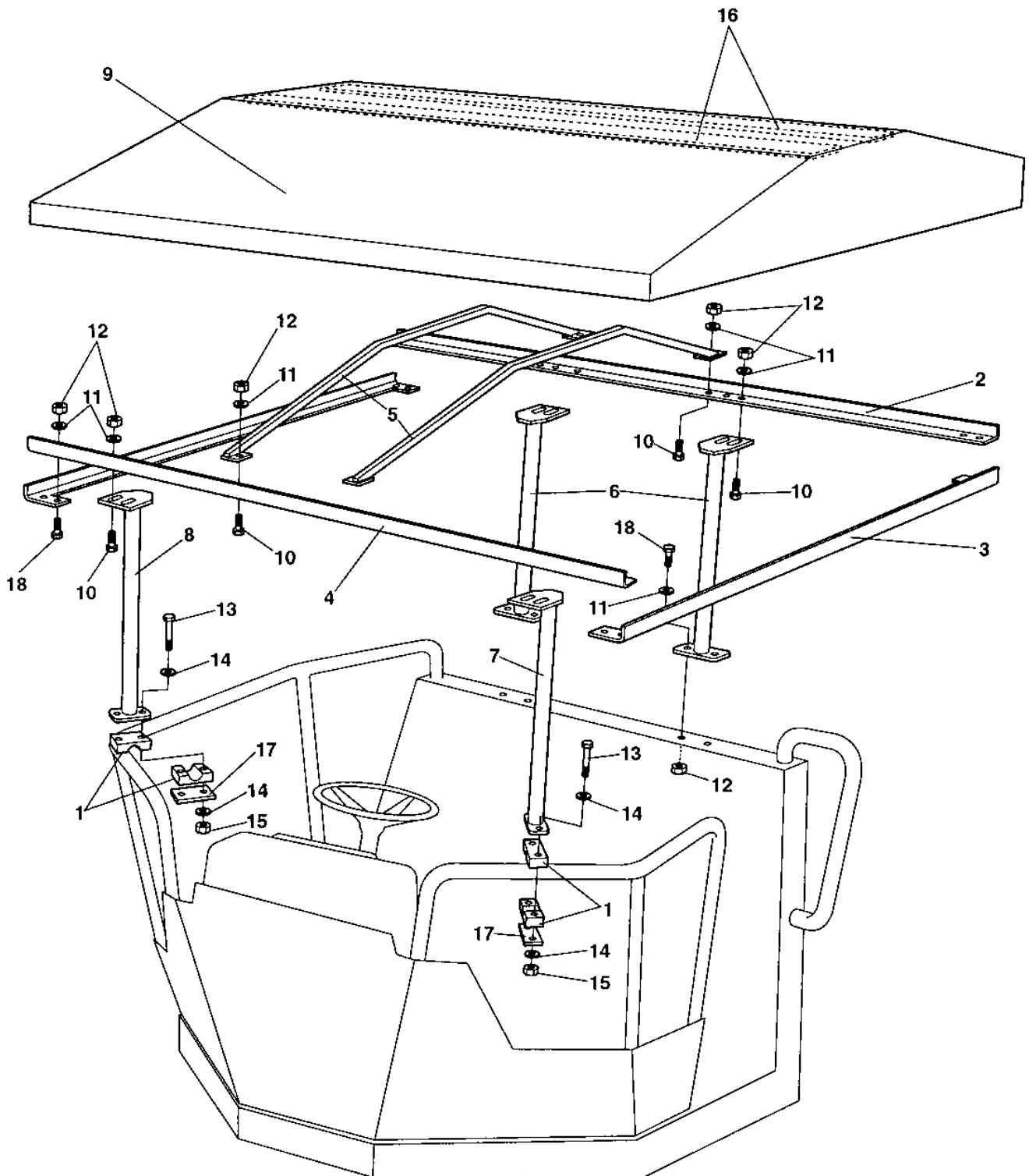
Item	Part No.	Name	Qty	L	SN INFO
1	4700372964	Steering wheel	1		
2	4700935614	Turning knob	1		
3	4700935613	Cover	1		
4	4700928830	Rubber part	1		
5	4700500031	Screw	2		
6	4700904230	Washer 10.5x22x2 mm 300 HV	2		
7	4700355869	Spacer sleeve	2		
8	4700500048	Screw, M10 x 20 mm 8.8 A3K	2		
9	4700904230	Washer 10.5x22x2 mm 300 HV	2		
10	4700902123	Steering column	1		
11	-	Bracket	1	A	

Comments for Page: Steering column

(L)OCAL REMARKS

A | en_US | Included in control panel

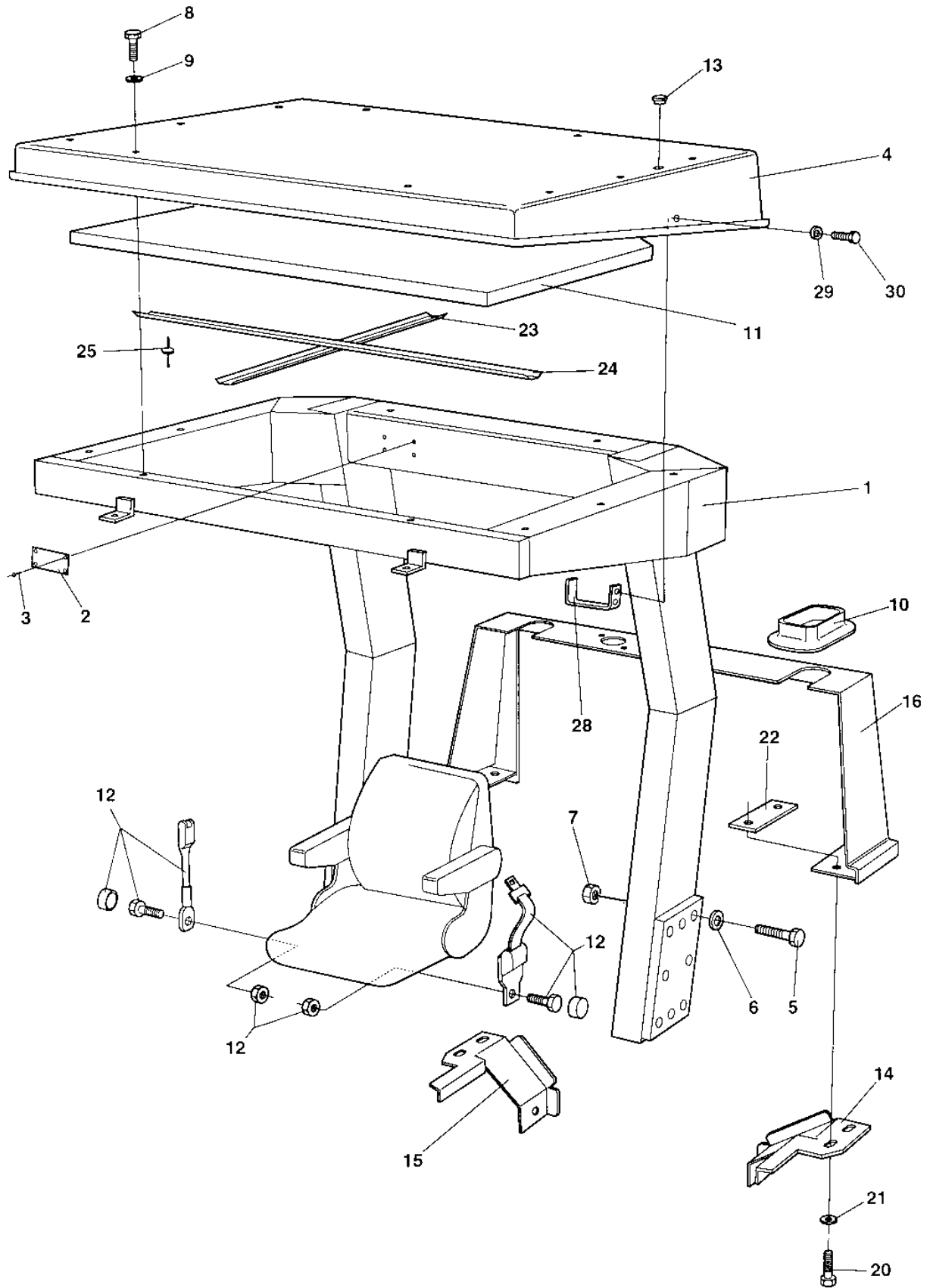
Operator platform Canopy Option



Refer to Parts Online for the most up to date information. The printed information might be outdated.

Thu Aug 20 22:03:48 MDT 2015

Item	Part No.	Name	Qty	L	SN INFO
1	4700904340	Pipe clamp	2		
2	4700373746	Canopy profile	1		
3	4700373747	Canopy profile	2		
4	4700373748	Canopy profile	1		
5	4700373749	Canopy rib	4		
6	4700373750	Canopy anchor	2		
7	4700380963	Canopy anchor	1		
8	4700380964	Canopy anchor	1		
9	4700373906	Roof	1		
10	4700500021	Hex. screw	16		
11	4700904229	Steel plain washer	44		
12	4700586003	Nut, M8	22		
13	4700500153	Screw	4		
14	4700904228	Washer 6.4x12x1.5 mm 300 HV	8		
15	4700586002	Lock nut M6 -8	4		
16	4700373907	Lath	2		
17	4700924791	Cover plate	2		
18	4700500022	Screw	8		

Operator platform Rops and fops

Refer to Parts Online for the most up to date information. The printed information might be outdated.

Thu Aug 20 22:03:48 MDT 2015

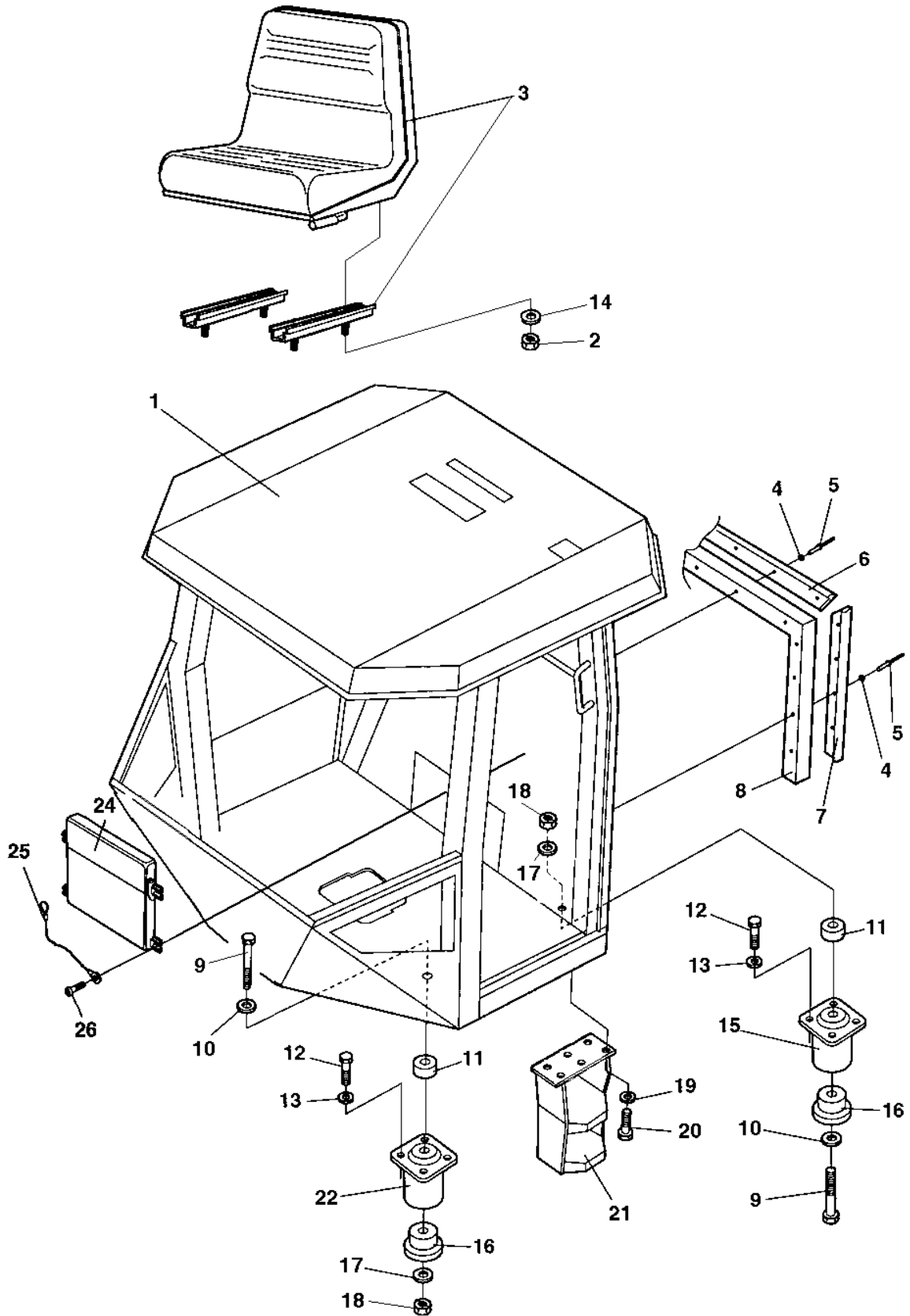
Item	Part No.	Name	Qty	L	SN INFO
1	4700372347	Rops	1		
2	4700370803	Sign, rops	1		
3	4700624016	Blind rivet	4		
4	4700372409	Fops roof	1		
5	4700904562	Screw M24x160 10.9	16		
6	4700904234	Steel plain washer	16		
7	-	Not used on this model	0		
8	4700500239	Hex. head screw	10		
9	4700904734	Washer, M08 8,4x26x4 300 HV	10		
10	4700372489	Rubber seal	2		
11	4700372678	Absorbent	1		
12	4700377677	Seat belt 2"	1		
12	4700379637	Seat belt kit, static 3"	1	A	
12	-	Screw	2		
12	-	Nut	2		
12	-	Cap	2		
13	4700904180	Plug	2		
14	4700373854	Holder plate	1		
15	4700373855	Holder plate	1		
16	4700560037	Protection cover	1		
20	4700500021	Hex. screw	4		
21	4700904640	Washer, 8.4 x 22 x 3 mm, 0.33 x 0.87 x 0.12 in. 300 HV	4		
22	4700373309	Holder plate	2		
23	4700376489	Absorbent holder	1		
24	4700376488	Absorbent holder	1		
25	4700904619	Blind rivet	12		
28	4700383951	Hook	4		
29	4700904734	Washer, M08 8,4x26x4 300 HV	4		
30	4700500100	HEXAGON SCREW M	4		

Comments for Page: Rops and fops

(L)OCAL REMARKS

A | en_US | Option 3"

Operator platform Cab mounting



Refer to Parts Online for the most up to date information. The printed information might be outdated.

Thu Aug 20 22:03:49 MDT 2015

Item	Part No.	Name	Qty	L	SN INFO
1	4700378308	Cab			
2	4700570005	Hexagon nut	4		
3	4700377556	Drivers seat, cpl	1		
3	4812114466	Drivers seat, cpl	1		
3	4700379636	Seat switch	1		
3	4700377518	Drivers seat, cpl	1	D	
3	4700945622	Seat switch	1		
4	4700927974	Washer, 5x19x1 mm	13		
5	4700904433	Blind rivet	13		
6	4700372785	List	1		
7	4700382582	List	2		
8	4700372494	Rubber strip	N	A	
9	4700791218	Screw M20x200	4		
10	4700904233	Steel plain washer 21x36x3	4		
11	4700384759	Spacer	4		
12	4700500195	Screw	16		
13	4700904231	Steel plain washer, 13x24x2 mm 300 HV	16		
14	4700904229	Steel plain washer	4		
15	4700374606	Shock absorber Green	2	B	
16	4700372457	Back-up ring	4		
17	4700903290	Steel plain washer 21x36x6	4		
18	4700901145	Lock nut M20-10	4		
19	4700904230	Washer 10.5x22x2 mm 300 HV	6		
20	4700500029	Hex. screw	6		
21	4700376252	Step	1		
22	4700374607	Shock absorber Yellow	2	C	
23	4700382397	Spacer	2		
24	4700383705	Instruction manual box	1		
25	4700357643	Wire	1		
26	4700791226	Screw	4		

Comments for Page: Cab mounting

(L)OCAL REMARKS

A | en_US | L=2400 mm

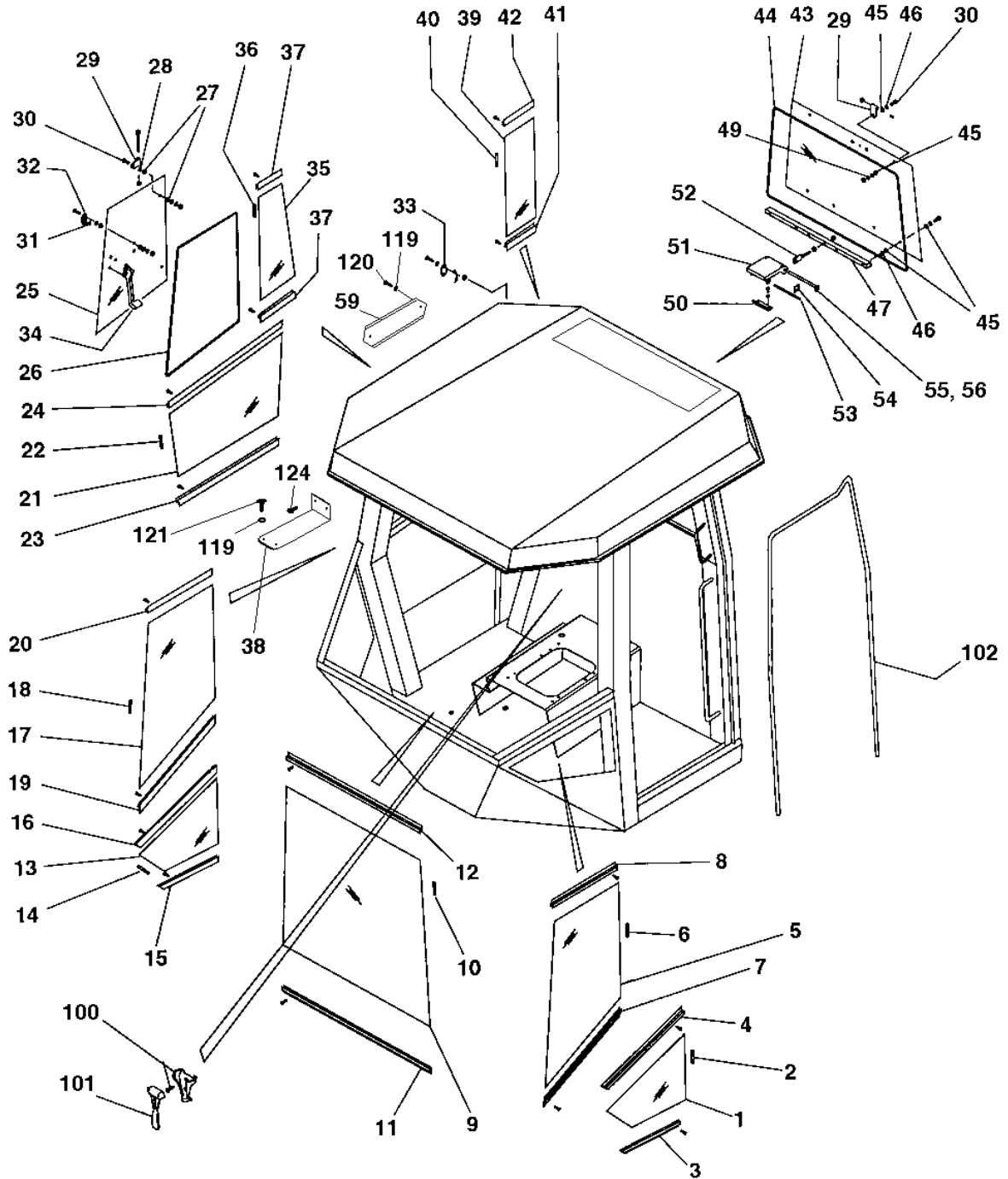
B | en_US | Rear

C | en_US | Front

D | en_US | Option

This page intentionally left blank

4700378308 Cab Cab Screens



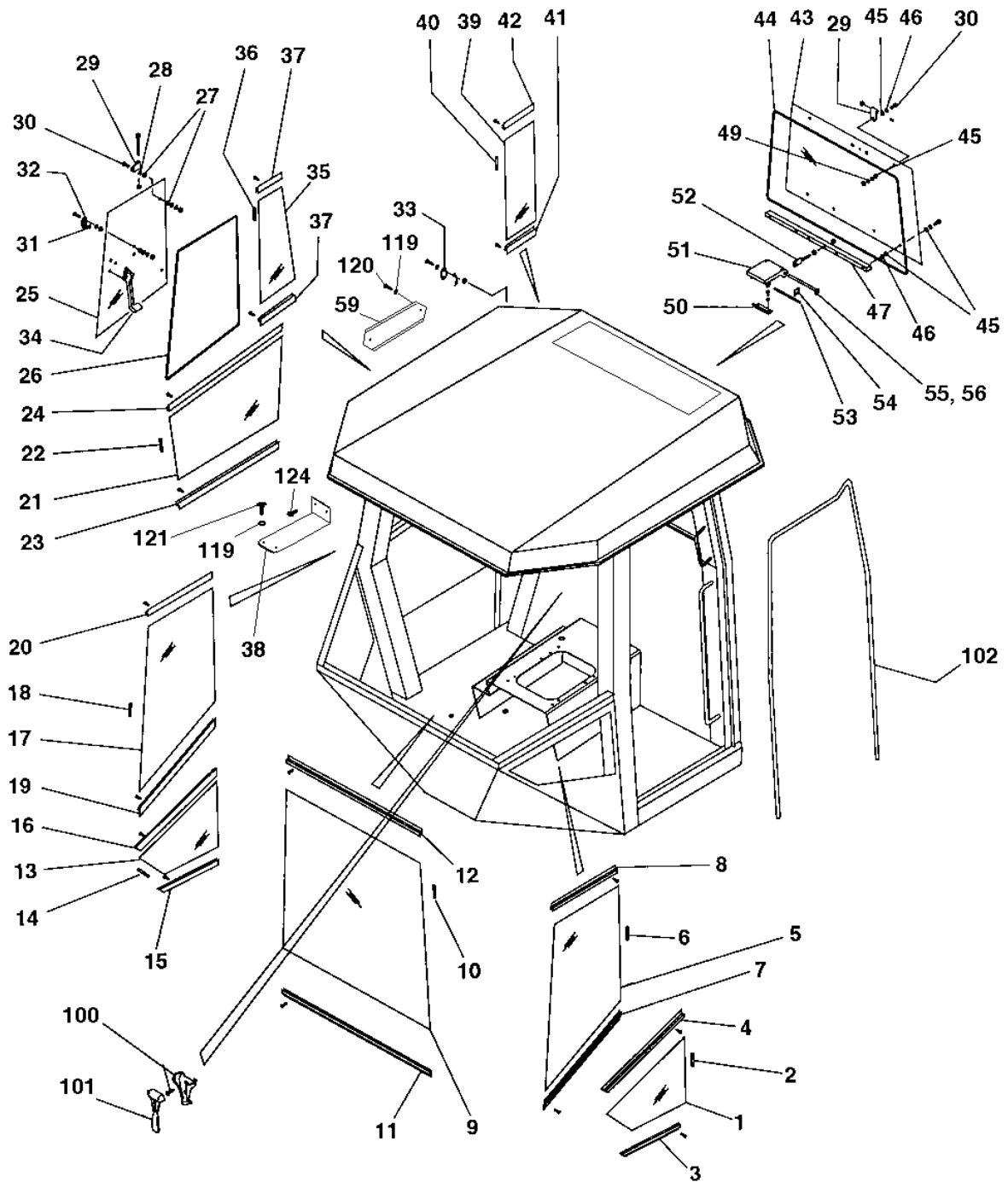
Refer to Parts Online for the most up to date information. The printed information might be outdated.

Thu Aug 20 22:03:49 MDT 2015

Item	Part No.	Name	Qty	L	SN INFO
1	4700937380	Screen	1		
2	4700908545	Seal list (Roller of 6 m)	XL		
3	4700935278	List	1		
4	4700935279	List	1		
5	4700937381	Screen, left	1		
6	4700908545	Seal list (Roller of 6 m)	XL		
7	4700935280	List	1		
8	4700935281	List	1		
9	4700937382	Screen	1		
10	4700908545	Seal list (Roller of 6 m)	1	D	
11	4700935282	List	1		
12	4700935283	List	1		
13	4700937383	Screen	1		
14	4700908545	Seal list (Roller of 6 m)	XL		
15	4700935284	List	1		
16	4700935285	List	1		
17	4700937384	Screen	1		
18	4700908545	Seal list (Roller of 6 m)	1	C	
19	4700935286	List	1		
20	4700935287	List	1		
21	4700937385	Screen	1		
22	4700908545	Seal list (Roller of 6 m)	1	A	
23	4700935288	List	1		
24	4700935289	List	1		
25	4700938290	Screen	1		
26	4700908499	Rubber list	1	E	
27	4700935271	Washer, Flexible rubber	8		
28	4700935272	Washer, Black	8		
29	4700935273	Hinge	4		
30	4700935274	Screw	4		
31	4700935275	Rubber washer	1		
32	4700935276	Bracket Metal	1		
32	4812157261	Bracket Rubber	1		
33	4700935277	Lock pin	1		
33	4812157260	Lock pin	1		
34	4700935290	Window lock, right	1		
35	4700938291	Screen	1		

Refer to Parts Online for the most up to date information. The printed information might be outdated.

Thu Aug 20 22:03:49 MDT 2015



Refer to Parts Online for the most up to date information. The printed information might be outdated.

Thu Aug 20 22:03:49 MDT 2015

Item	Part No.	Name	Qty	L	SN INFO
36	4700908545	Seal list (Roller of 6 m)	1	B	
37	4700935291	List	1		
38	4700379608	Cover	1		
39	4700938292	Screen	1		
40	4700908545	Seal list (Roller of 6 m)	1	B	
41	4700935293	List	1		
42	4700938659	List	1		
43	4700937389	Screen	1		
44	4700908499	Rubber list	1	F	
45	4700935271	Washer, Flexible rubber	12		
46	4700935272	Washer, Black	12		
47	4700935295	Screen holder	1		
49	4700935296	Washer	2		
50	4700935297	Bracket	1		
51	4700935298	Bracket	2		
52	4700935299	Bolt	1		
53	4700935300	Shaft	1		
54	4700935301	Lock	2		
55	4700935302	Rod	1		
56	4700935303	Ring	1		
59	4700379236	Cover	1		
100	4700908506	Emergency hammer	1		
101	4700908507	Emergency hammer, hook	1		
102	4700908499	Rubber list	1	G	
119	4700904229	Steel plain washer	16		
120	4700500019	Hex. screw	14		
121	4700500053	Screw, M8 x 20 mm 8.8 A2K	2		
124	4700903782	Screw M5x12	2		

Comments for Page: Cab Screens

(L)OCAL REMARKS

A | en_US | L=1100 mm

B | en_US | L=1400 mm

C | en_US | L=1900 mm

D | en_US | L=2100 mm

Refer to Parts Online for the most up to date information. The printed information might be outdated.

Thu Aug 20 22:03:50 MDT 2015

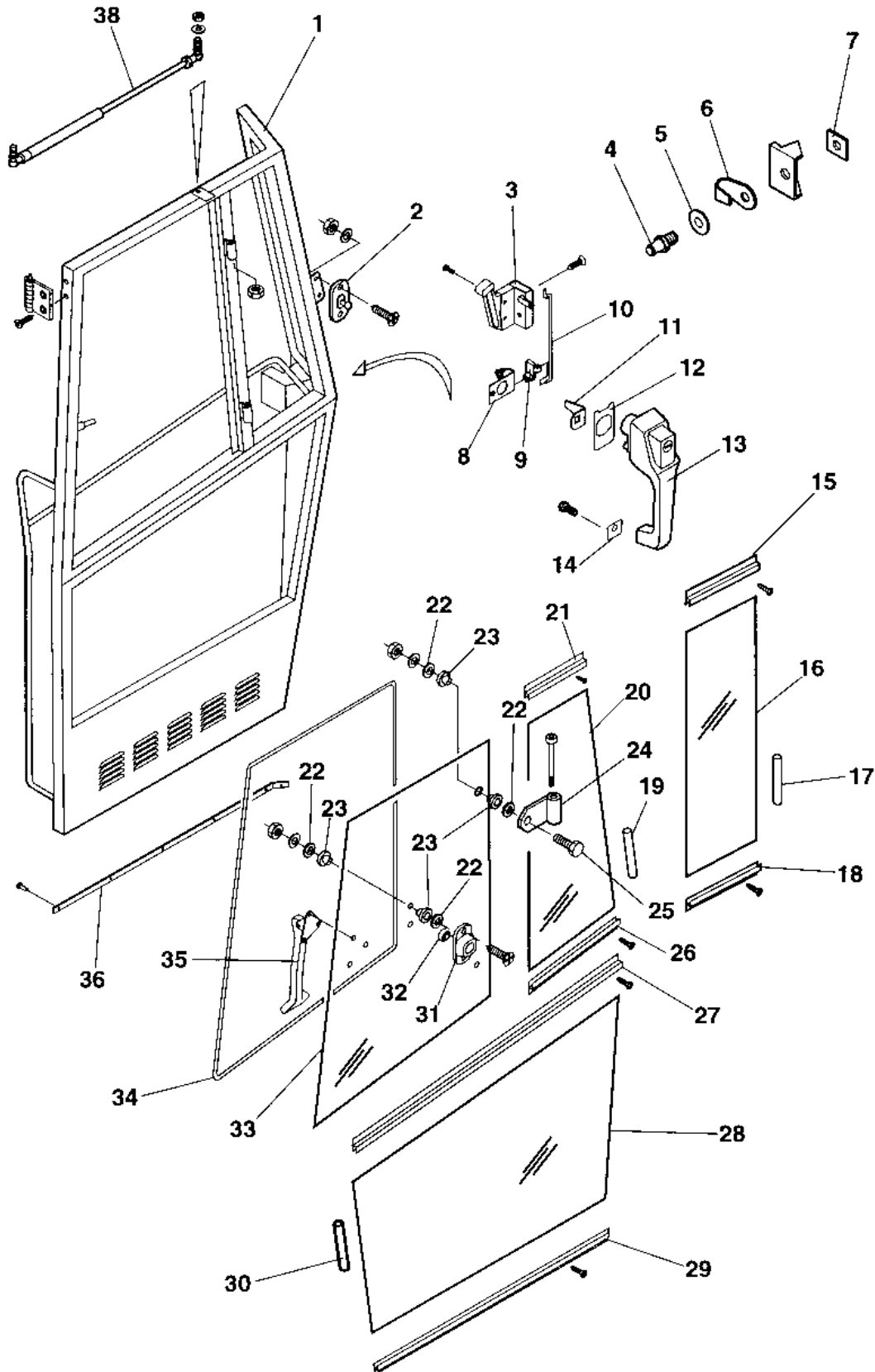
E | en_US | L=2700 mm

F | en_US | L=3300 mm

G | en_US | L=5 m

This page intentionally left blank

4700378308 Cab Cab Door, left side



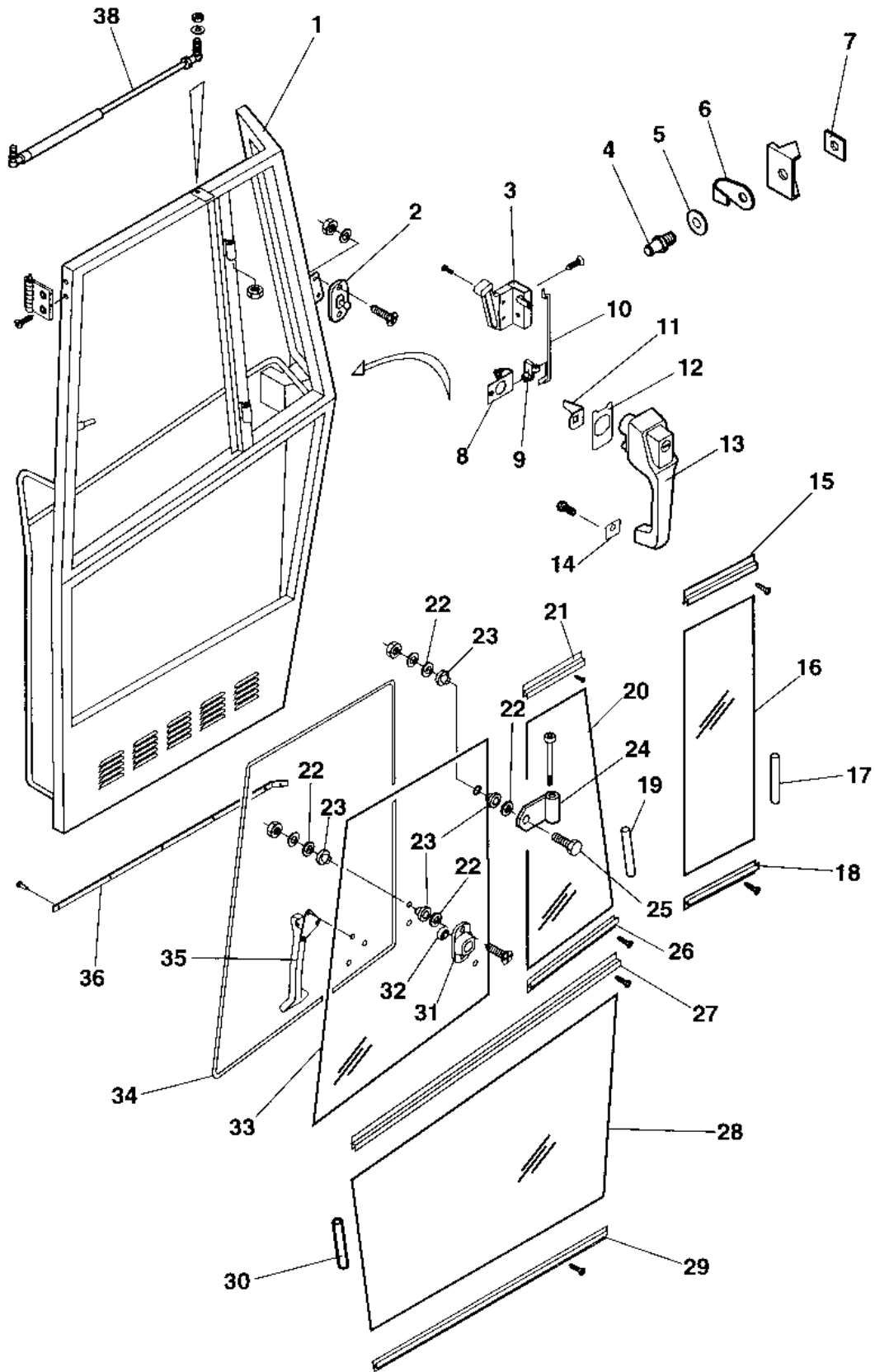
Refer to Parts Online for the most up to date information. The printed information might be outdated.

Thu Aug 20 22:03:50 MDT 2015

Item	Part No.	Name	Qty	L	SN INFO
0	4700940678	Door, cpl	1		
1	4700390927	Door frame	1		
2	4700935277	Lock pin	1		
2	4812157260	Lock pin	1		
3	4700938017	Lock	1		
4	4700908580	Lock pin	1		
5	4700908581	Washer	1		
6	4700908582	Cover	1		
7	4700908583	Bracket	1		
8	4700935248	Turning mechanism	1		
9	4700935249	Retainer	1		
10	4700935250	Rod	1		
11	4700935247	Leader	1		
12	4700935246	Seal	1		
13	4700935244	Door handle with key	1		
14	4700935245	Seal	1		
15	4700935268	List	1		
16	4700937391	Screen	1		
17	4700908545	Seal list (Roller of 6 m)	1	A	
18	4700935267	List	1		
19	4700908545	Seal list (Roller of 6 m)	1	A	
20	4700937392	Screen	1		
21	4700935270	List	1		
22	4700935272	Washer, Black	8		
23	4700935271	Washer, Flexible rubber	8		
24	4700935273	Hinge	2		
25	4700935274	Screw	2		
26	4700935269	List	1		
27	4700935266	List	1		
28	4700937390	Screen	1		
29	4700935265	List	1		
30	4700908545	Seal list (Roller of 6 m)	1	B	
31	4700935276	Bracket Metal	1		
31	4812157261	Bracket Rubber	1		
32	4700935275	Rubber washer	1		
33	4700937393	Screen	1		
34	4700908499	Rubber list	1	C	

Refer to Parts Online for the most up to date information. The printed information might be outdated.

Thu Aug 20 22:03:50 MDT 2015



Refer to Parts Online for the most up to date information. The printed information might be outdated.

Thu Aug 20 22:03:50 MDT 2015

Item	Part No.	Name	Qty	L	SN INFO
35	4700935253	Lock	1		
36	4700938101	Brush profile	XL		
38	4700938018	Gas spring	1		

Comments for Page: Cab Door, left side

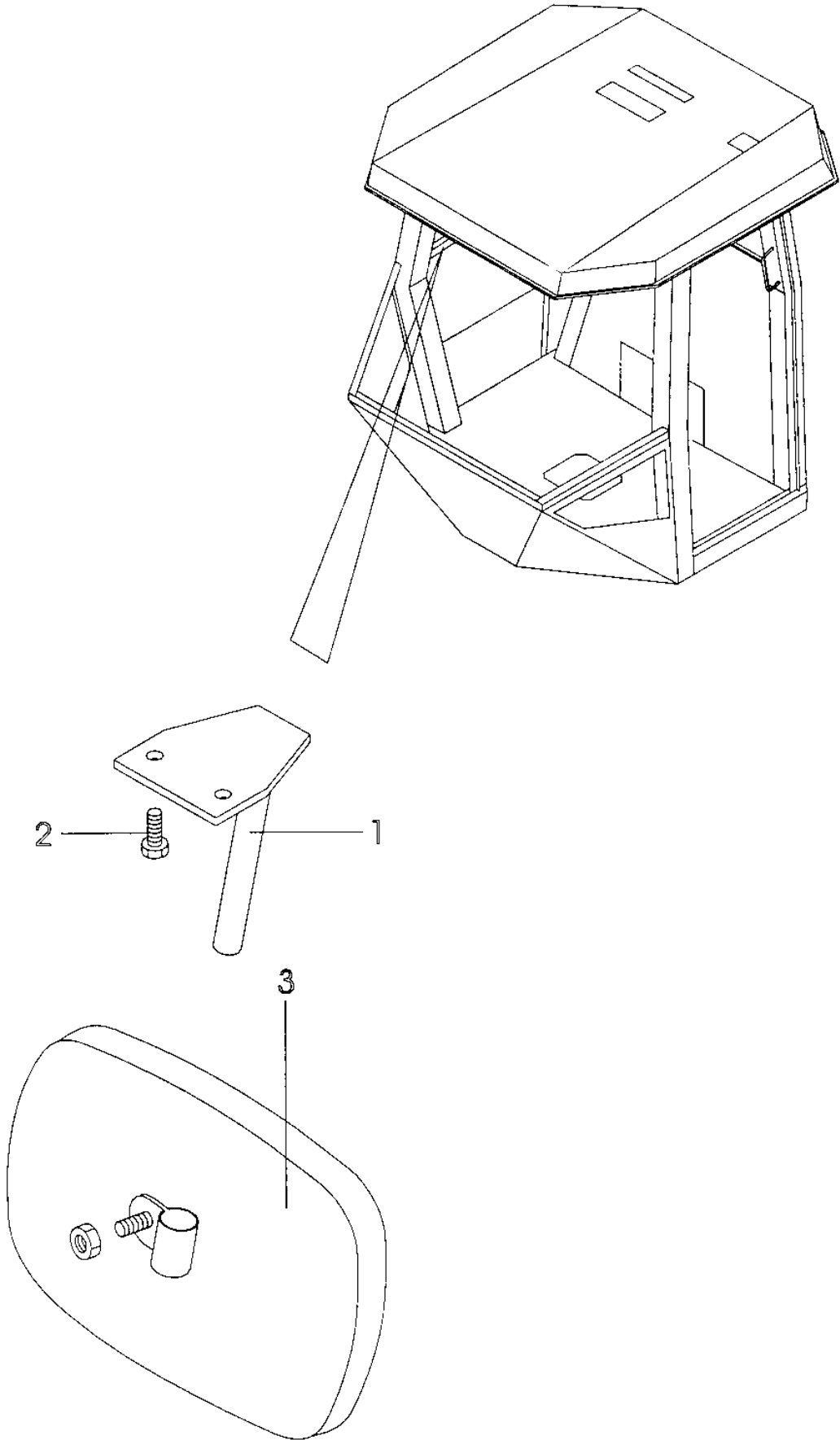
(L)OCAL REMARKS

A | en_US | L=1400 mm

B | en_US | L=1100 mm

C | en_US | L=2700 mm

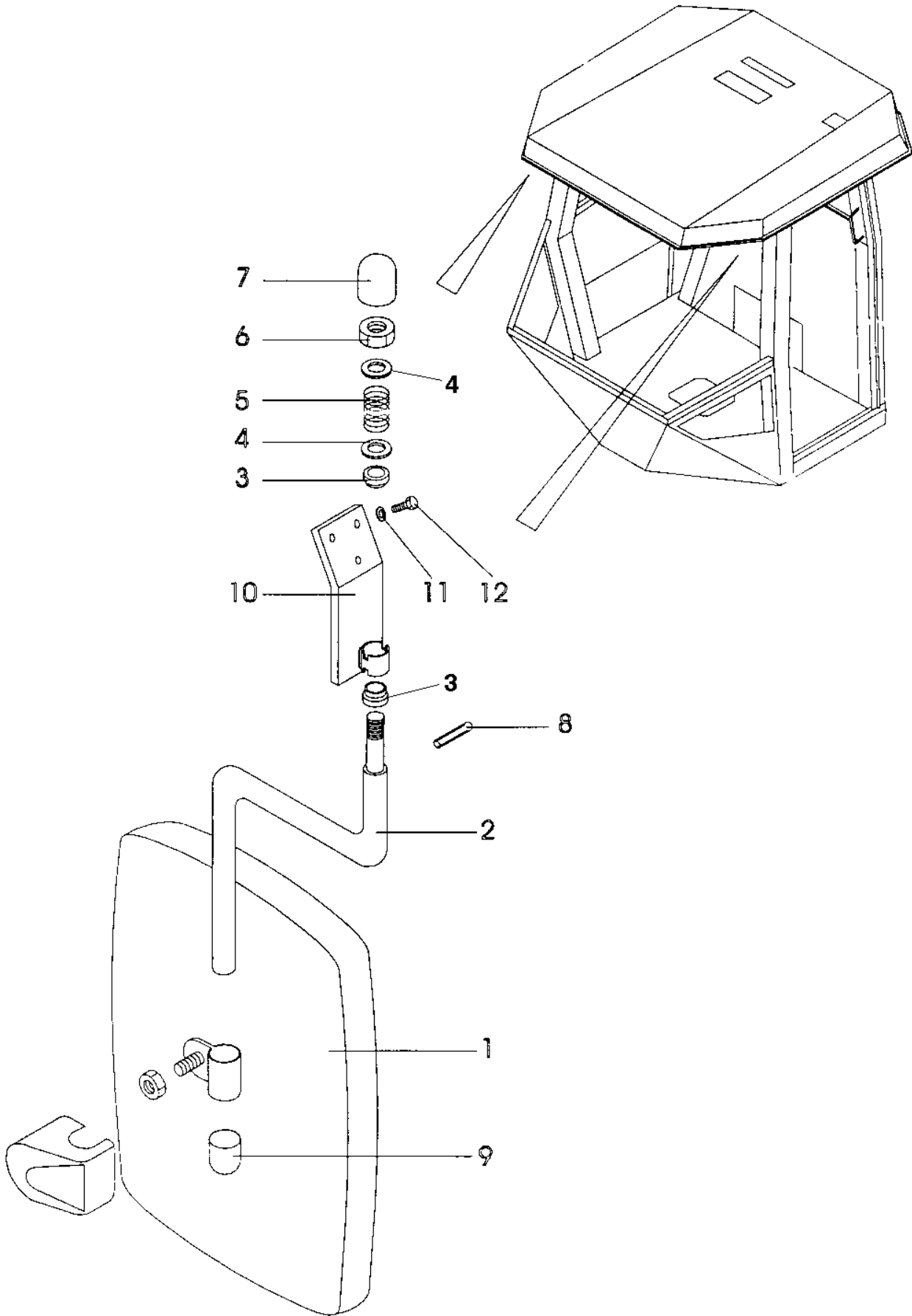
4700378308 Cab Cab Interior rear mirror



Refer to Parts Online for the most up to date information. The printed information might be outdated.
Thu Aug 20 22:03:50 MDT 2015

Item	Part No.	Name	Qty	L	SN INFO
1	4700908623	Bracket	1		
2	4700535005	Screw M5x12	2		
3	4700908624	Rear mirror	1		

4700378308 Cab Cab Exterior, rear mirror



Refer to Parts Online for the most up to date information. The printed information might be outdated.

Thu Aug 20 22:03:50 MDT 2015

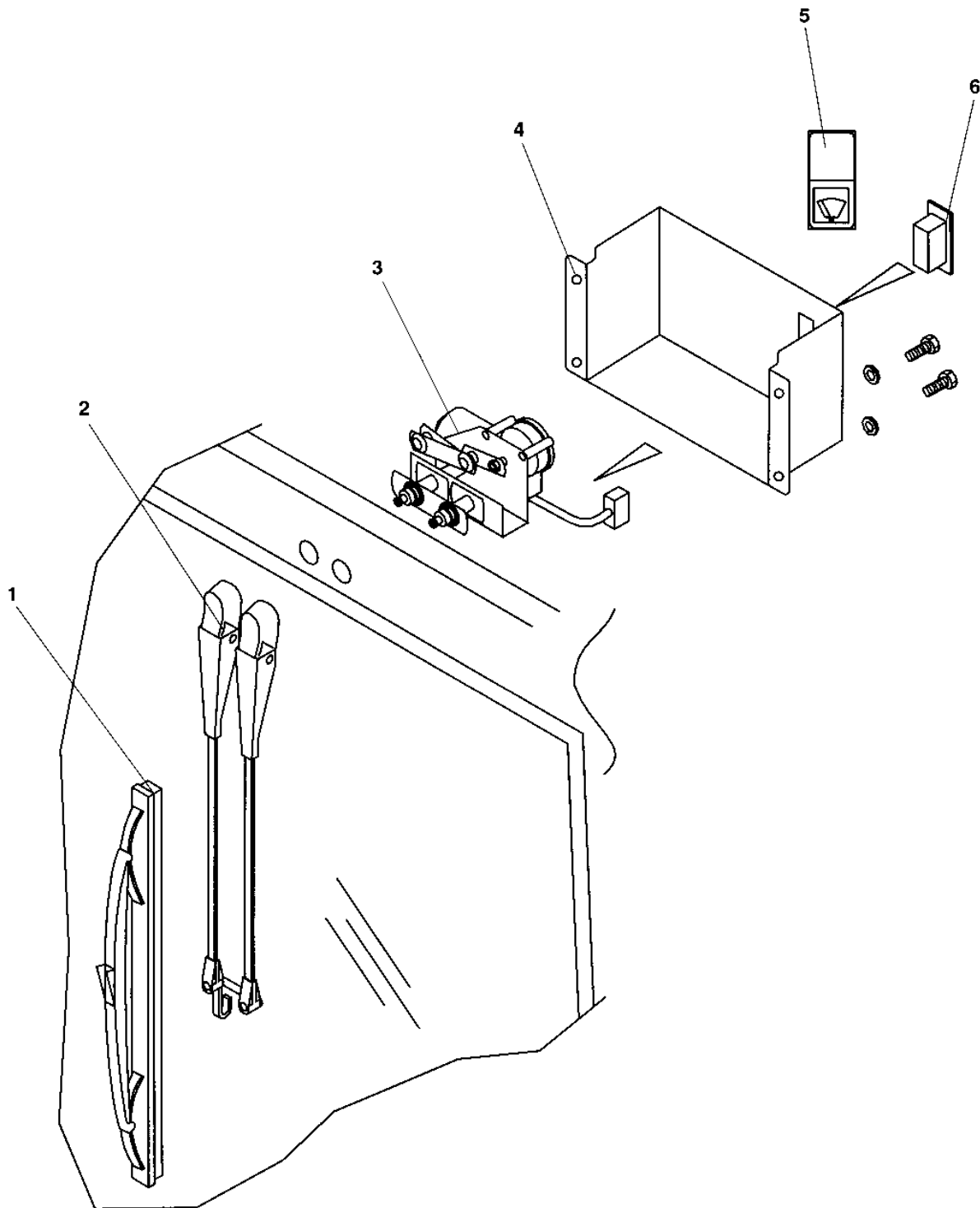
Item	Part No.	Name	Qty	L	SN INFO
1	4700371730	Rear view mirror, cpl	2	A	
1	4700908265	Rear view mirror	1		
2	4700908355	Arm	1		
3	4700908625	Sleeve	2		
4	4700904232	Steel plain washer	2		
5	4700908626	Spring	1		
6	4700586021	Lock nut	1		
7	4700908627	Cap	1		
8	4700629066	Spirol pin	1		
9	4700908628	Cap	1		
10	4700908361	Bracket	1		
11	4700904229	Steel plain washer	6		
12	4700500019	Hex. screw	6		

Comments for Page: Cab Exterior, rear mirror

(L)OCAL REMARKS

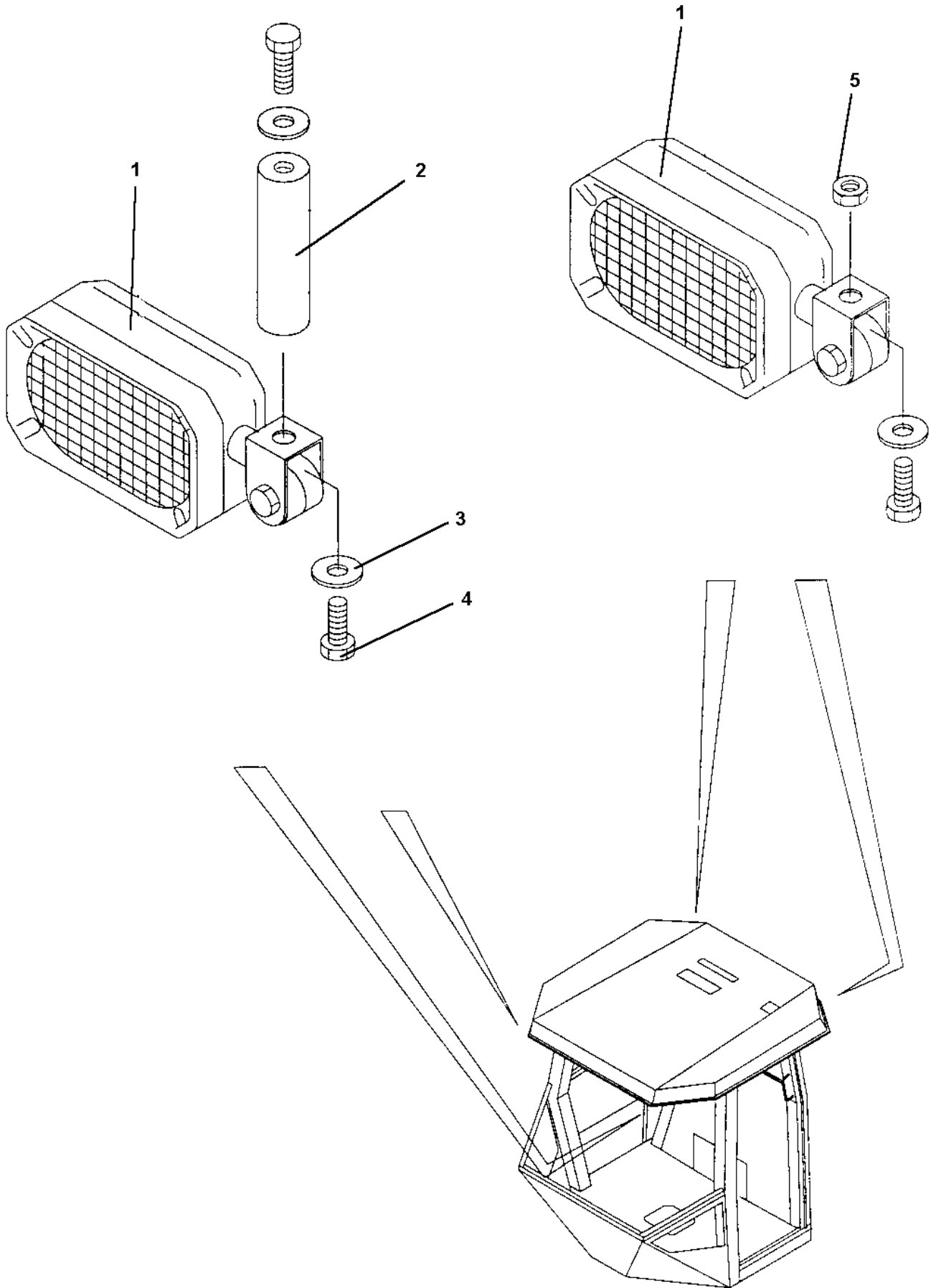
A | en_US | Option

4700378308 Cab Wiper arm with blade, front



Item	Part No.	Name	Qty	L	SN INFO
1	4700905306	Wiper blade	1		
2	4700905305	Wiper arm	1		
3	4700905304	Wiper motor	1		
4	4700937871	Cover	1		
5	4700908605	Symbol, wiper	1		
6	4700908617	Switch	1		

4700378308 Cab Cab Work light

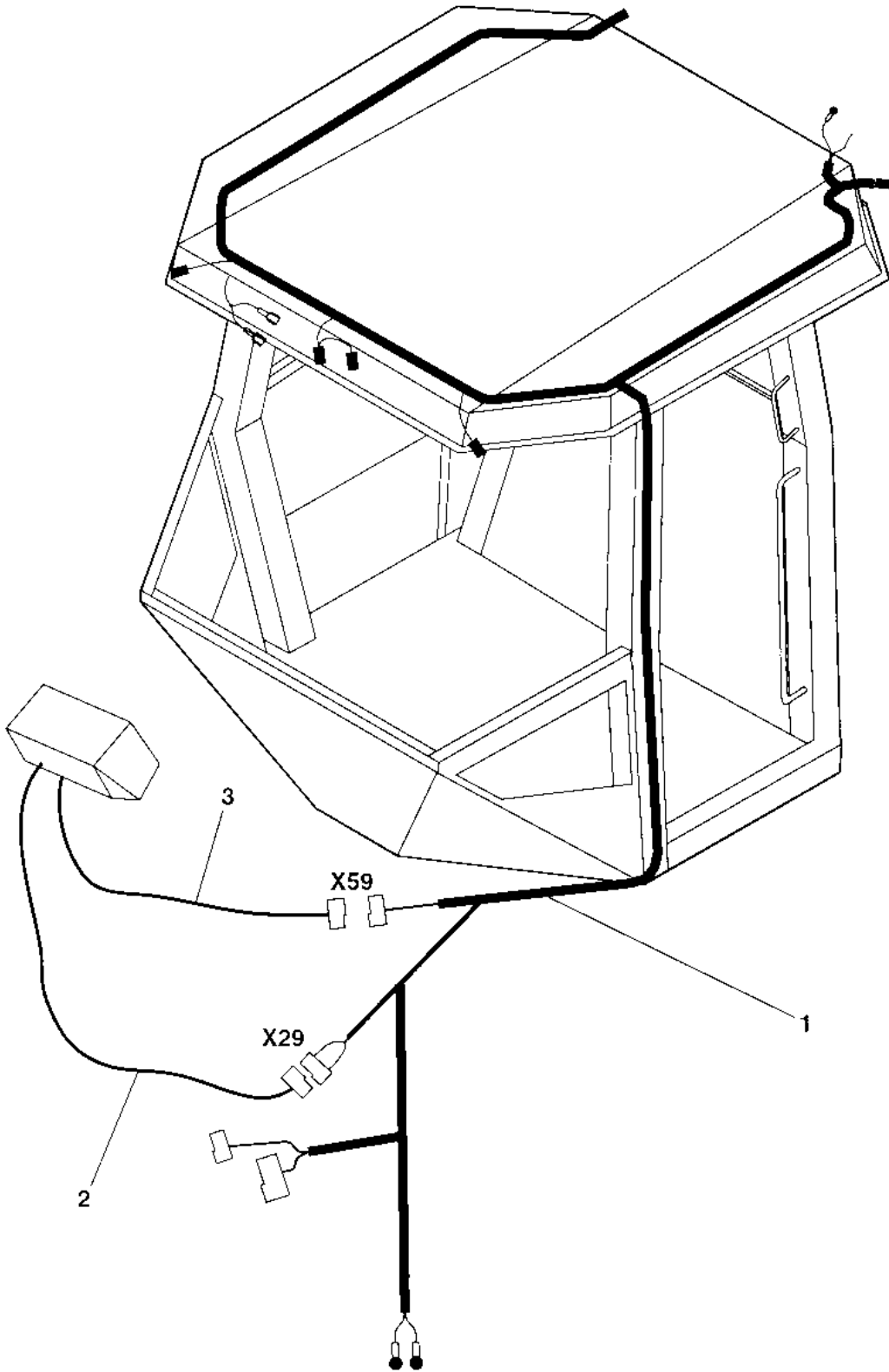


Refer to Parts Online for the most up to date information. The printed information might be outdated.

Thu Aug 20 22:03:51 MDT 2015

Item	Part No.	Name	Qty	L	SN INFO
1	4700908267	Working light	4		
2	4700908359	Distance	2		
3	4700904229	Steel plain washer	4		
4	4700500019	Hex. screw	4		
5	4700586003	Nut, M8	2		

4700378308 Cab Cab Electric



Item	Part No.	Name	Qty	L	SN INFO
1	4700937870	Cable harness	1	A	
2	4700384403	Cable harness	1	B	
3	4700384402	Cable harness	1	C	

Comments for Page: Cab Electric

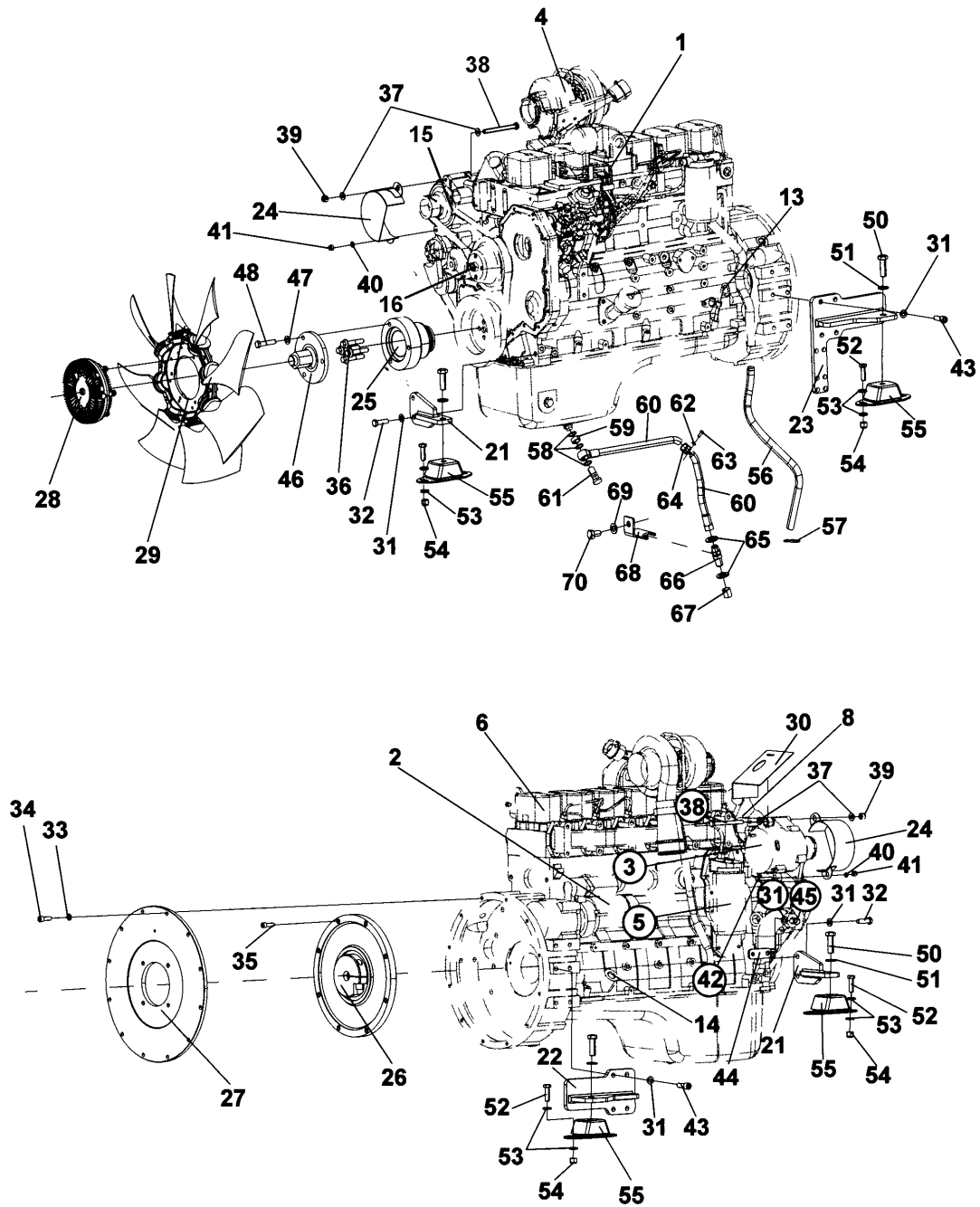
(L)OCAL REMARKS

A | en_US | Main supply

B | en_US | Horn

C | en_US | Windshield wiper

Engine Engine Cummins 6BTAA-5.9



Refer to Parts Online for the most up to date information. The printed information might be outdated.

Thu Aug 20 22:03:52 MDT 2015

Item	Part No.	Name	Qty	L	SN INFO
1	4812111126	Diesel engine Cummins 6BTAA-5.9	1		
2	4700939504	Starter	1		
3	4700945140	Alternator	1		
4	4700939955	Turbo charger, cpl	1		
5	4700939503	Oil filter	1		
6	4700938514	Valve cover gasket	6		
7		Piston ring set	1		
8	4700939960	Injector	1		
9	4700939372	Fuel filter element	1		
13	4700945892	Oil dipstick	1		
14	4812156960	Oil cap	1		
14	4812156961	Gasket	1		
15	4700939373	Belt	1		
16	4700945773	V- belt pulley	1		
17	4700945774	Belt tensioner	1		
19		Fan, alternator	1		
20	4700938273	Pulley, alternator	1		
21	4700378211	Engine bracket	2		
22	4700378210	Engine bracket	1		
23	4700378213	Engine bracket	1		
24	4700386688	Protecting cover	1		
25	4700382391	Connector	1		
26	4700371620	Coupling	1		
27	4700372772	Bracket	1		
28	4700397284	Fan clutch	1		
29	4700397285	Fan	1		
30	4700390743	Heat protection	1		
31	4700904638	Washer 12x22x2	13		
32	4700500194	Hex. screw	4		
33	4700904637	Washer	12		
34	4700508029	Cylinder screw	12		
35	4700509025	Screw 3/8-16UNCx32 8,8	8		
36	4700791306	Screw M12-1,25x60 12,9	4		
37	4700904230	Washer 10.5x22x2 mm 300 HV	3		
38	4700904379	Hexgon head screw M	1		
39	4700586018	Lock nut, M10	1		
40	4700904229	Steel plain washer	1		

Refer to Parts Online for the most up to date information. The printed information might be outdated.

Thu Aug 20 22:03:52 MDT 2015

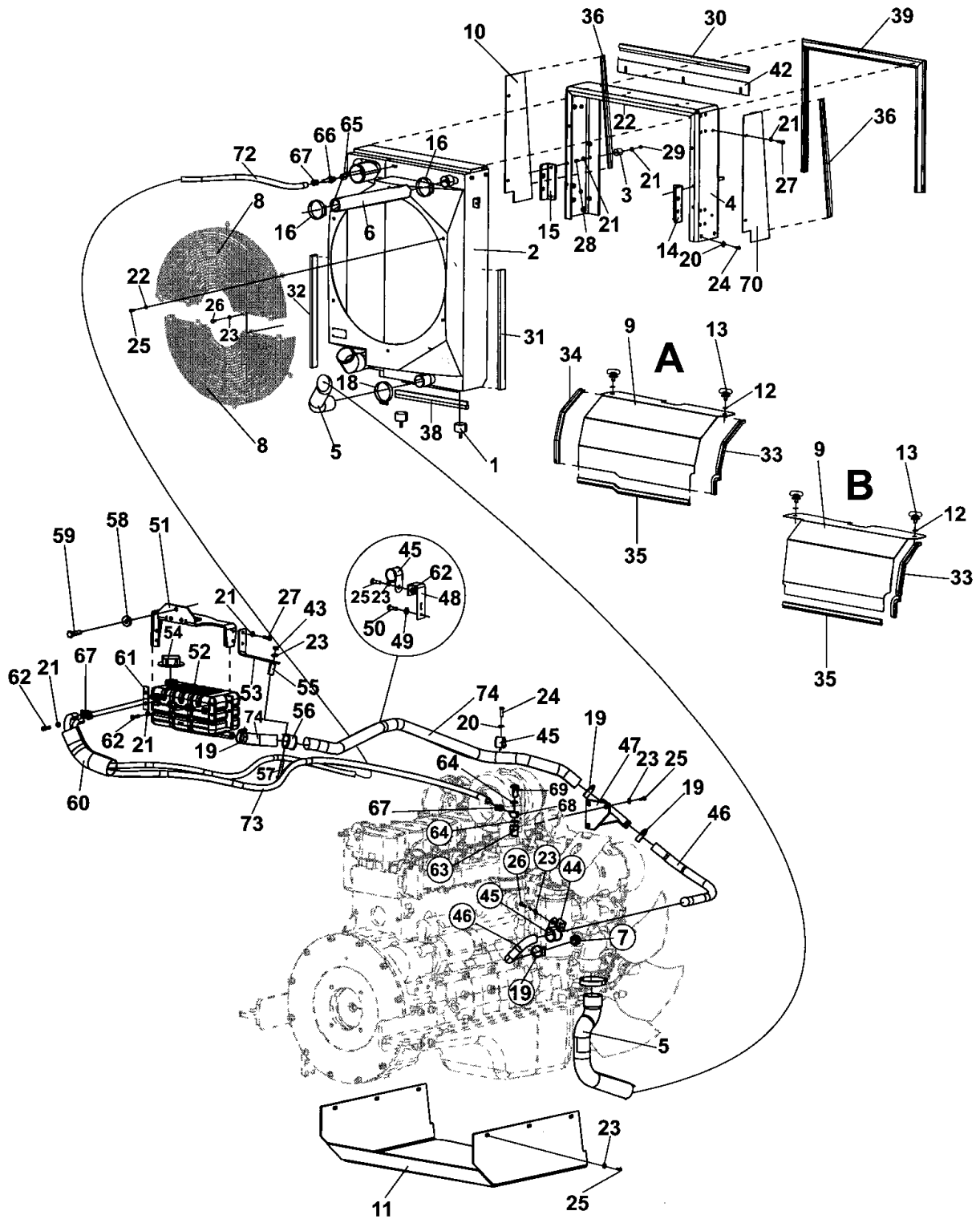
Item	Part No.	Name	Qty	L	SN INFO
41	4700586003	Nut, M8	1		
42	4700500239	Hex. head screw	1		
43	4700508079	Cylinder screw	8		
44	4700378214	Cable holder	1		
45	4700500036	Screw	1		
46	4700397217	Fan spacer	1		
47	4700904231	Steel plain washer, 13x24x2 mm 300 HV	3		
48	4700925519	Screw M12x55 10.9 GEOMET	3		
49	4700939506	Oil pressure switch	1		
50	4700500070	Hex. screw	4		
51	4700904232	Steel plain washer	5		
52	4700500194	Hex. screw	8		
53	4700904703	Plain washer 13x24x4 mm	16		
54	4700586019	Lock nut, M12	8		
55	4700387128	Shock absorber	4		
56	4700791468	Hydraulic hose	1	A	
57	4700925802	Cable ties L=142 mm	N		
58	4700330331	Washer 18,2x23,9x1,5	3		
59	4700371727	Spacer sleeve	1		
60	4700389138	Hydraulic hose	1		
61	4700747691	Hollow screw	1		
62	4700904228	Washer 6.4x12x1.5 mm 300 HV	1		
63	4700500013	Hex. screw	1		
64	4700921063	Clamp	1		
65	4700904233	Steel plain washer 21x36x3	2		
66	4700230515	Connector	1		
67	4700330383	Cap JIC, steel	1		
68	4700388855	Bracket	1		
69	4700904232	Steel plain washer	5		
70	4700500154	Screw	1		

Comments for Page: Engine Cummins 6BTAA-5.9

(L)OCAL REMARKS

A | en_US | L = 1,0 m

Engine Cooling system



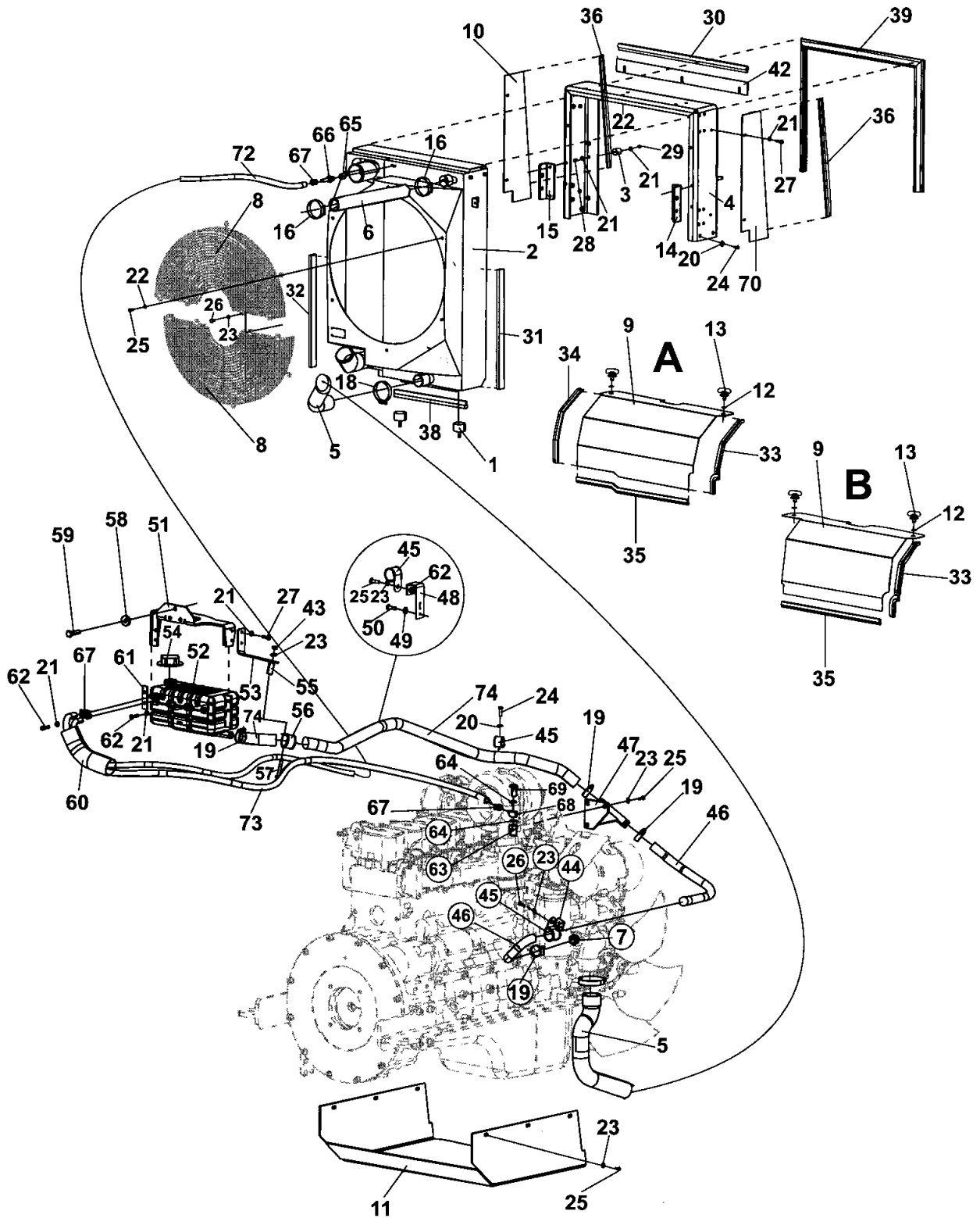
Refer to Parts Online for the most up to date information. The printed information might be outdated.

Thu Aug 20 22:03:54 MDT 2015

Item	Part No.	Name	Qty	L	SN INFO
1	4700904551	Shock absorber	2		
2		Radiator	1		To 0C000187
2	4812114368	Cooler, cpl	1		From 0C000188
3	4700371774	Shock absorber	2		
4	4700386662	Cooler frame	1		
5	4700386664	Coolant hose	1		
6	4700386663	Coolant hose	1		
7	4700386222	Hose connection	1		
8	4700390500	Fan guard	2		
9	4700386699	Air inlet	1	N	To 0C000365
9	4812113918	Air inlet	1	O	From 0C000366
10	4700371737	Air leading plate	1		
11	4700388732	Air leading plate	1		
12	4700926985	Quick lock washer	2		
13	4700904486	Quick lock	2		
14	4700375172	Holder plate	1		
15	4700375171	Holder plate	1		
16	4700313010	Hose clamp	3		
18	4700313023	Hose clamp	1		
19	4700313006	Hose clamp	4		
20	4700904230	Washer 10.5x22x2 mm 300 HV	5		
21	4700904228	Washer 6.4x12x1.5 mm 300 HV	18		
22	4700904640	Washer, 8.4 x 22 x 3 mm, 0.33 x 0.87 x 0.12 in. 300 HV	9		
23	4700904229	Steel plain washer	18		
24	4700500029	Hex. screw	5		
25	4700500053	Screw, M8 x 20 mm 8.8 A2K	16		
26	4700500018	Hex. screw	5		
27	4700500040	Screw, M6 x 20 mm 8.8 A2K	10		
28	4700500012	Hex. screw	2		
29	4700570004	Hex. nut	2		
30	4700288129	Rubber edge trim	1	A	
31	4700202046	Rubber strip 25x10	1	B	
32	4700202046	Rubber strip 25x10	1	C	
33	4700902166	Edge trim	1	D	
34	4700902166	Edge trim	1	E	To 0C000365
35	4700902166	Edge trim	1	P, F	To 0C000365; From 0C000366
36	4700902166	Edge trim	2	G	

Refer to Parts Online for the most up to date information. The printed information might be outdated.

Thu Aug 20 22:03:54 MDT 2015



Refer to Parts Online for the most up to date information. The printed information might be outdated.

Thu Aug 20 22:03:54 MDT 2015

Item	Part No.	Name	Qty	L	SN INFO
38	4700902166	Edge trim	1	H	
39	4700903953	Edge trim	1	K	
42	4700383726	Valve shaft	1		
43	4700570005	Hexagon nut	5		
44	4700908136	Bracket	1		
45	4700921099	Clamp	3		
46	4700388727	Coolant hose	1		
47	4700388728	Bracket	1		
48	4700376561	Bracket	1		
49	4700904281	Washer, 5,3x10x1 300HV	2		
50	4700500008	Hex. screw	2		
51	4700392170	Holder	1		To 0C003980
51	4812265111	Holder	1		From 0C003981
52	4700392313	Expansion tank	1		
53	4812275678	Bracket	1		
54	4700903714	Cooler cap	1		
55	4700373423	Spacer	1		
56	4700921050	Clamp	1		
57	4700500025	Screw, M8 x 50 mm 8.8 A2K	1		
58	4700904567	Washer, 10.5 x 28 x 6 mm, 0.41 x 1.10 x 0.24 in. 300 HV	3		
59	4700500031	Screw	3		
60	4700904623	Hose guard	1		
61	4700381413	Washer	2		
62	4700500075	Screw, M6-1,0x25 mm 8.8	4		
63	4812112597	Adapter	1		
64	4700747282	Copper washer	2		
65	4700792551	Adapter	1		
66	4700792322	Hose connection	1		
67	4700313075	Hose clamp	4		
68	4700330170	Banjo coupling	1		
69	4700330171	Hollow screw, M14	1		
70	4700560033	Air leading plate	1		
72	4700246069	Rubber hose	1	L	
73	4700246069	Rubber hose	1	M	
74	4700376573	Coolant hose	1		

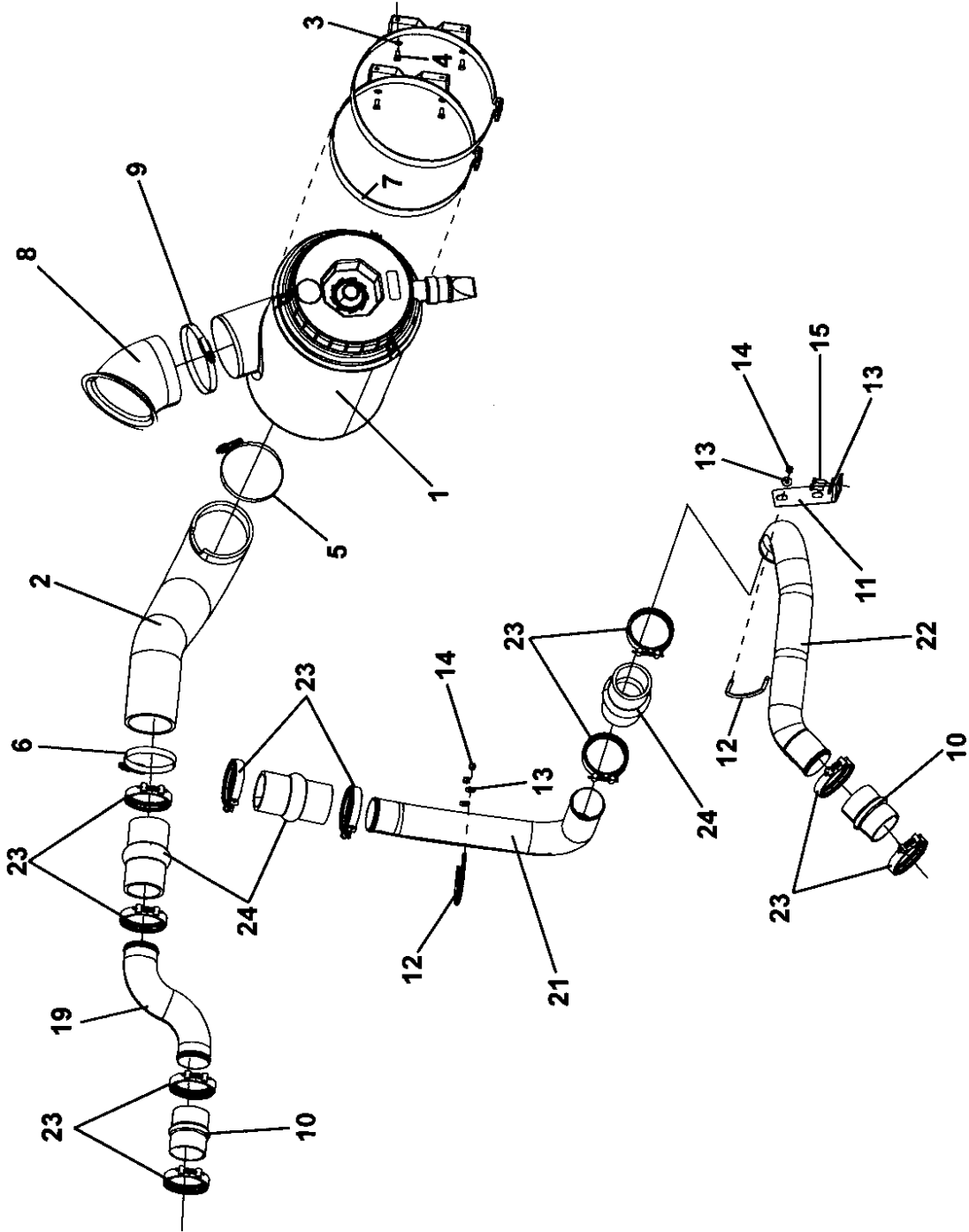
Comments for Page: Cooling system

(L)OCAL REMARKS

A | en_US | L = 0,73 m
B | en_US | L = 0,4 m
C | en_US | L = 0,375 m
D | en_US | L = 0,42 m
E | en_US | L = 0,39 m , Illustration A only.
F | en_US | L = 0,61 m
G | en_US | L = 0,555 m
H | en_US | L = 0,31 m
K | en_US | L = 1,65 m
L | en_US | L = 1,96 m
M | en_US | L = 1,84 m
N | en_US | Illustration A
O | en_US | Illustration B
P | en_US | L = 0,51 m

This page intentionally left blank

Engine Combustion air system



Refer to Parts Online for the most up to date information. The printed information might be outdated.

Thu Aug 20 22:03:55 MDT 2015

Item	Part No.	Name	Qty	L	SN INFO
1	4700394683	Air cleaner, cpl	1		
1	4700394691	Air filter element, safety	1		
1	4700394690	Air filter element, main	1		
1	4700385379	End cover	1		
1	4700385376	Vacuator valve	1		
2	4812112596	Air inlet hose	1		
3	4700904229	Steel plain washer	4		
4	4700500019	Hex. screw	4		
5	4700379214	Clamp	1		
6	4700389600	Hose clamp	1		
7	4700802550	Band, mounting	2		
8	4700392233	Air inlet hose	1		
9	4700387525	Clamp	1		
10	4700385691	Air intake hose	2		
11	4700387964	Bracket	1		
12	4700313093	Pipe clamp	2		
13	4700904640	Washer, 8.4 x 22 x 3 mm, 0.33 x 0.87 x 0.12 in. 300 HV	6		
14	4700586003	Nut, M8	4		
15	4700500021	Hex. screw	2		
19	4700386641	Charge air tube	1		
21	4700385692	Charge air tube	1		
22	4700386047	Charge air tube	1		
23	-	Hose clamp	10	A	
24	-	Air inlet hose	3	A	

Comments for Page: Combustion air system

(L)OCAL REMARKS

A | en_US | Supplied with engine

Item	Part No.	Name	Qty	L	SN INFO
1	4700904695	Fuel level sender	1		
2	4700373460	Filler cap	1		
3	4700373574	Hose connection	2		
4	4700244054	Hose reinforced	1	A	
5	4700313001	Hose clamp	4		
6	4812112600	Fuel filter bracket	1		
7	4700939403	Filter head	1		
8	4700939404	Pre-fuel filter element	1		
9	4700939405	Bowl	1		
10	4700747282	Copper washer	2		
11	4812112601	Fuel hose	1		
12	4812113709	Fuel hose	1		
13	4812112602	Fuel hose	1		
15	4700791513	Pipe clamp	1		
16	4700334463	Connector	2		
17	4700903190	Steel plug threaded	2		
18	4700904557	Washer, 10.5x22x4 mm 300 HV	2		
19	4700500030	Hexagon head screw M	2		
20	4700925631	Elbow adapter	1		
21	4700900552	Adapter	1		
22	4700904230	Washer 10.5x22x2 mm 300 HV	2		
23	4700500033	Screw M10-1,5x60 8,8	2		
24	4700904231	Steel plain washer, 13x24x2 mm 300 HV	1		
25	4700500163	Hex. screw	1		
26	4700313041	Cable tie	N		
28	4700945777	Gasket	1		
29	4700904281	Washer, 5,3x10x1 300HV	5		
30	4700500006	Hex. screw	5		
31	4700902558	Clamp	2		
32	4700904229	Steel plain washer	2		
33	4700500067	Screw	2		

Comments for Page: Fuel system

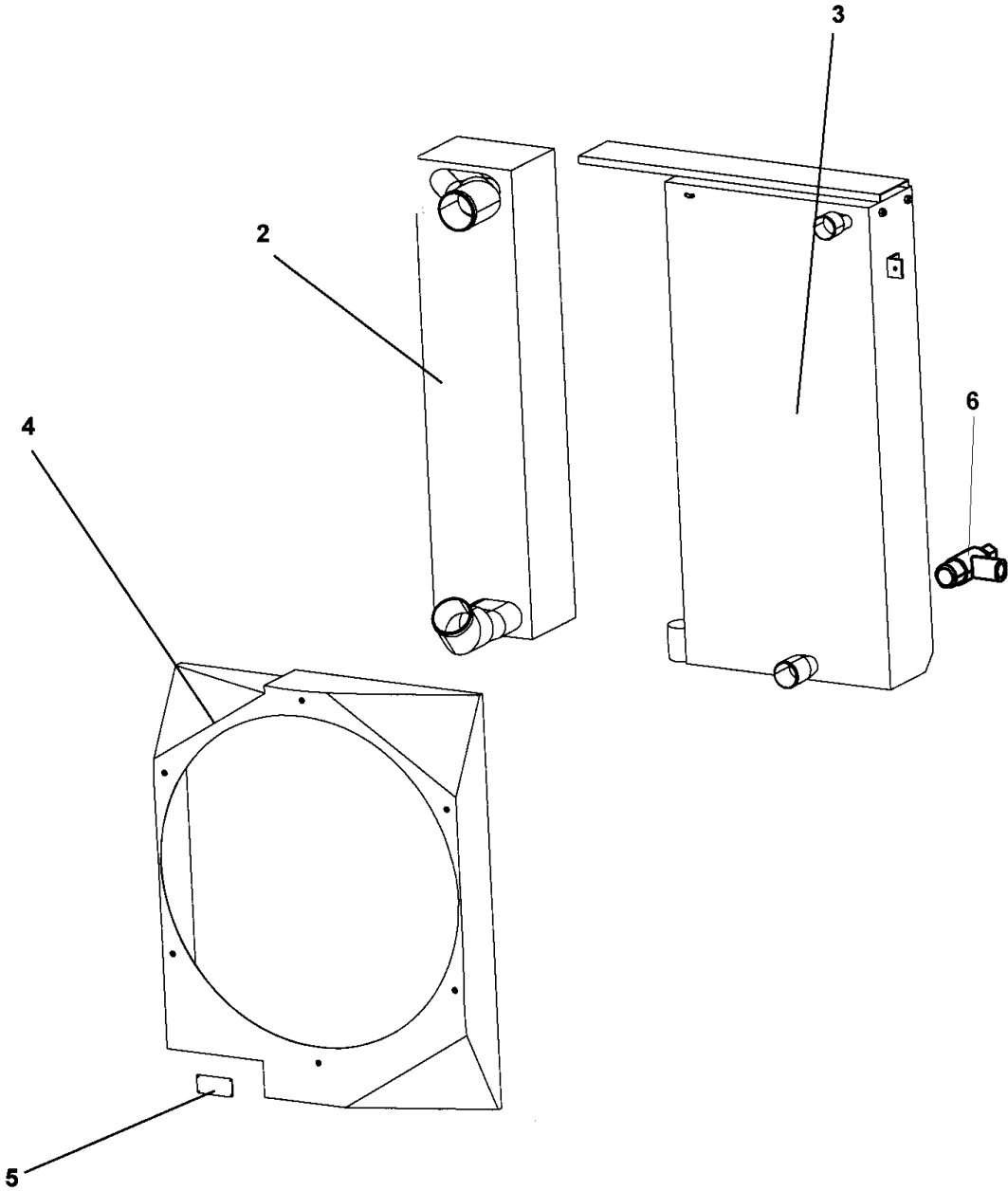
(L)OCAL REMARKS

A | en_US | L = 0,66 m

This page intentionally left blank

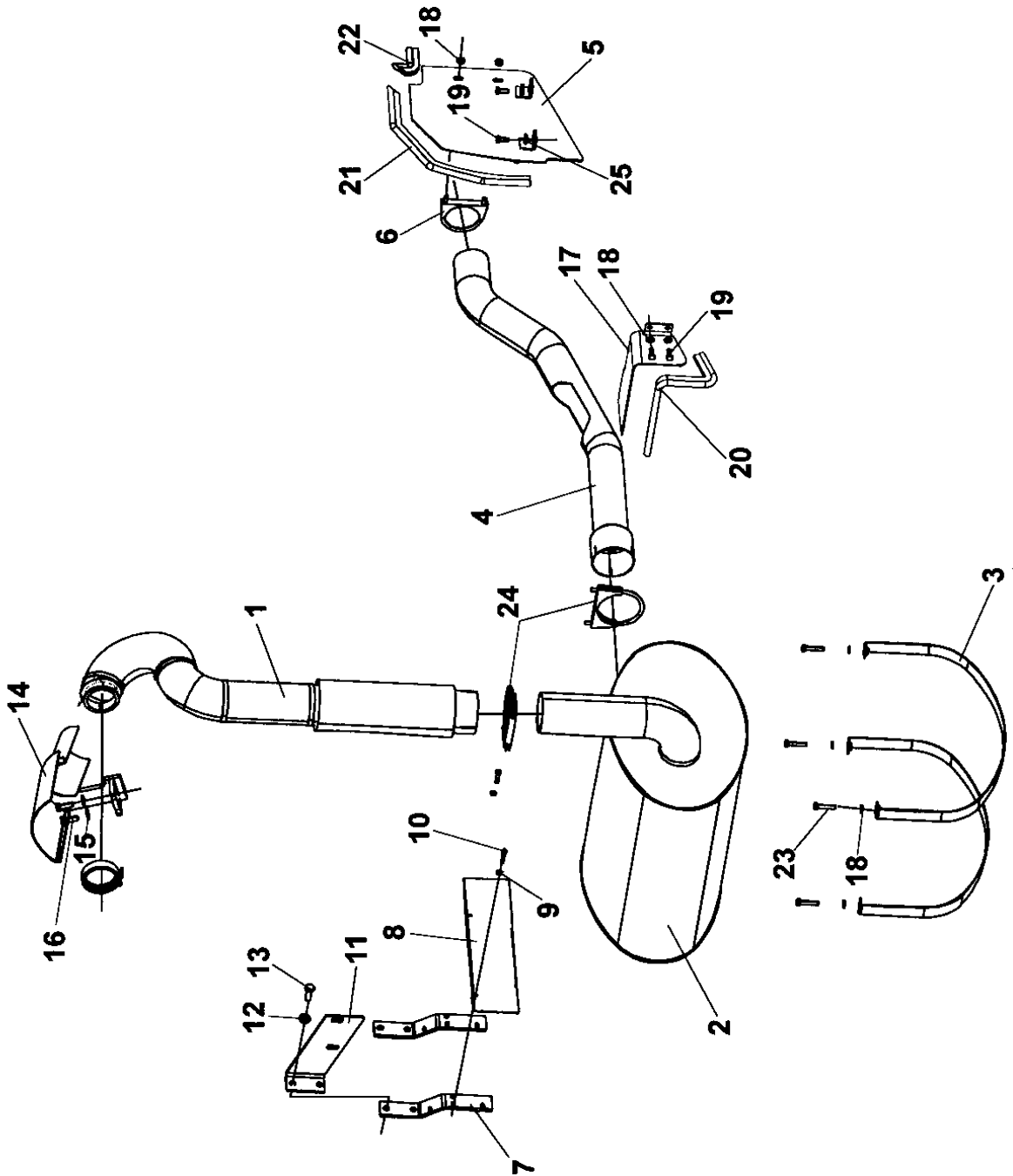
Radiator To 0C000187 Radiator

1



Item	Part No.	Name	Qty	L	SN INFO
1	4700385873	Radiator, cpl	1		
2	4700940264	Charge air cooler	1		
3	4700940263	Water cooler	1		
4	4700940266	Fan cover	1		
5		Frame	1		
6		Drain cock	1		

Exhaust system To 0C000365 Exhaust system



Refer to Parts Online for the most up to date information. The printed information might be outdated.

Thu Aug 20 22:03:56 MDT 2015

Item	Part No.	Name	Qty	L	SN INFO
1	4700386774	Exhaust hose	1		
2	4700388650	Muffler	1		
3	4700388800	Clamp	2		
4	4700387699	Exhaust pipe	1		
5	4700376619	Thermal guard	1		
6	4700313093	Pipe clamp	1		
7	4700386152	Hose clamp	2		
8	4700386153	Thermal guard	1		
9	4700904228	Washer 6.4x12x1.5 mm 300 HV	2		
10	4700500015	Hex. screw	2		
11	4700386163	Holder plate	1		
12	4700904231	Steel plain washer, 13x24x2 mm 300 HV	4		
13	4700500046	Hex. head screw M12x030H	4		
14	4700387454	Thermal guard	1		
15	4700904230	Washer 10.5x22x2 mm 300 HV	2		
16	4700500029	Hex. screw	2		
17	4700386410	Thermal guard	1		
18	4700904229	Steel plain washer	8		
19	4700500053	Screw, M8 x 20 mm 8.8 A2K	4		
20	4700902166	Edge trim	1XL	A	
21	4700902166	Edge trim	1XL	B	
22	4700902166	Edge trim	1	C	
23	4700904241	Screw	4		
24	4700927857	Pipe clamp	2		
25	4700904640	Washer, 8.4 x 22 x 3 mm, 0.33 x 0.87 x 0.12 in. 300 HV	4		

Comments for Page: Exhaust system

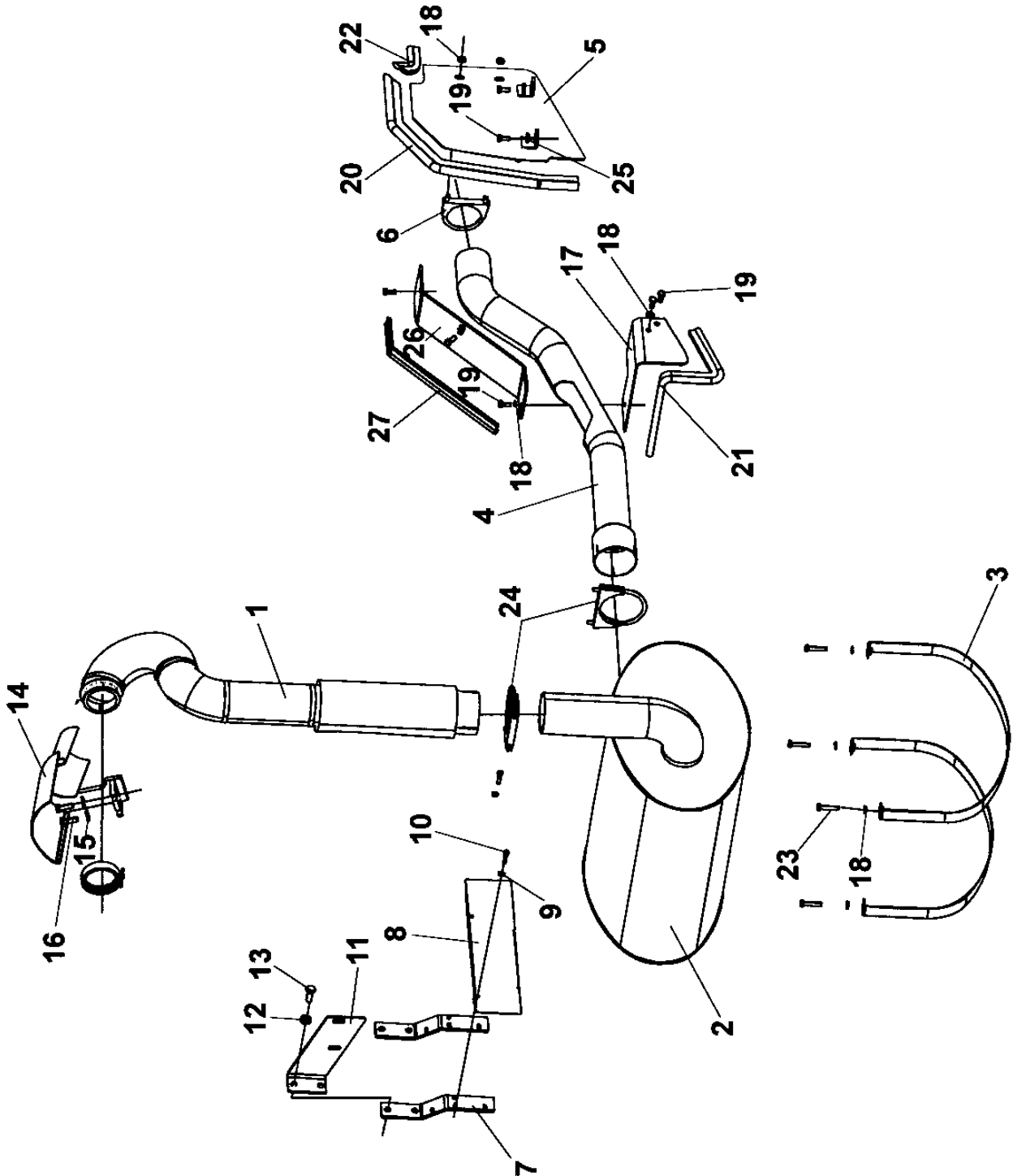
(L)OCAL REMARKS

A | en_US | L = 0,33 m

B | en_US | L = 0,46 m

C | en_US | L = 0,08 m

Exhaust system From 0C000366 Exhaust system



Refer to Parts Online for the most up to date information. The printed information might be outdated.

Thu Aug 20 22:03:56 MDT 2015

Item	Part No.	Name	Qty	L	SN INFO
1	4700386774	Exhaust hose	1		
2	4700388650	Muffler	1		
3	4700388800	Clamp	2		
4	4700387699	Exhaust pipe	1		
5	4812113917	Heat protection	1		
6	4700313093	Pipe clamp	1		
7	4700386152	Hose clamp	2		
8	4700386153	Thermal guard	1		
9	4700904228	Washer 6.4x12x1.5 mm 300 HV	2		
10	4700500015	Hex. screw	2		
11	4700386163	Holder plate	1		
12	4700904231	Steel plain washer, 13x24x2 mm 300 HV	4		
13	4700500046	Hex. head screw M12x030H	4		
14	4700387454	Thermal guard	1		
15	4700904230	Washer 10.5x22x2 mm 300 HV	2		
16	4700500029	Hex. screw	2		
17	4812113920	Heat protection	1		
18	4700904229	Steel plain washer	12		
19	4700500053	Screw, M8 x 20 mm 8.8 A2K	7		
20	4700902166	Edge trim	1XL	A	
21	4700902166	Edge trim	1XL	B	
22	4700902166	Edge trim	1	C	
23	4700904241	Screw	4		
24	4700927857	Pipe clamp	2		
25	4700904640	Washer, 8.4 x 22 x 3 mm, 0.33 x 0.87 x 0.12 in. 300 HV	4		
26	4812113919	Air guide	1		
27	4700902166	Edge trim	1	D	

Comments for Page: Exhaust system

(L)OCAL REMARKS

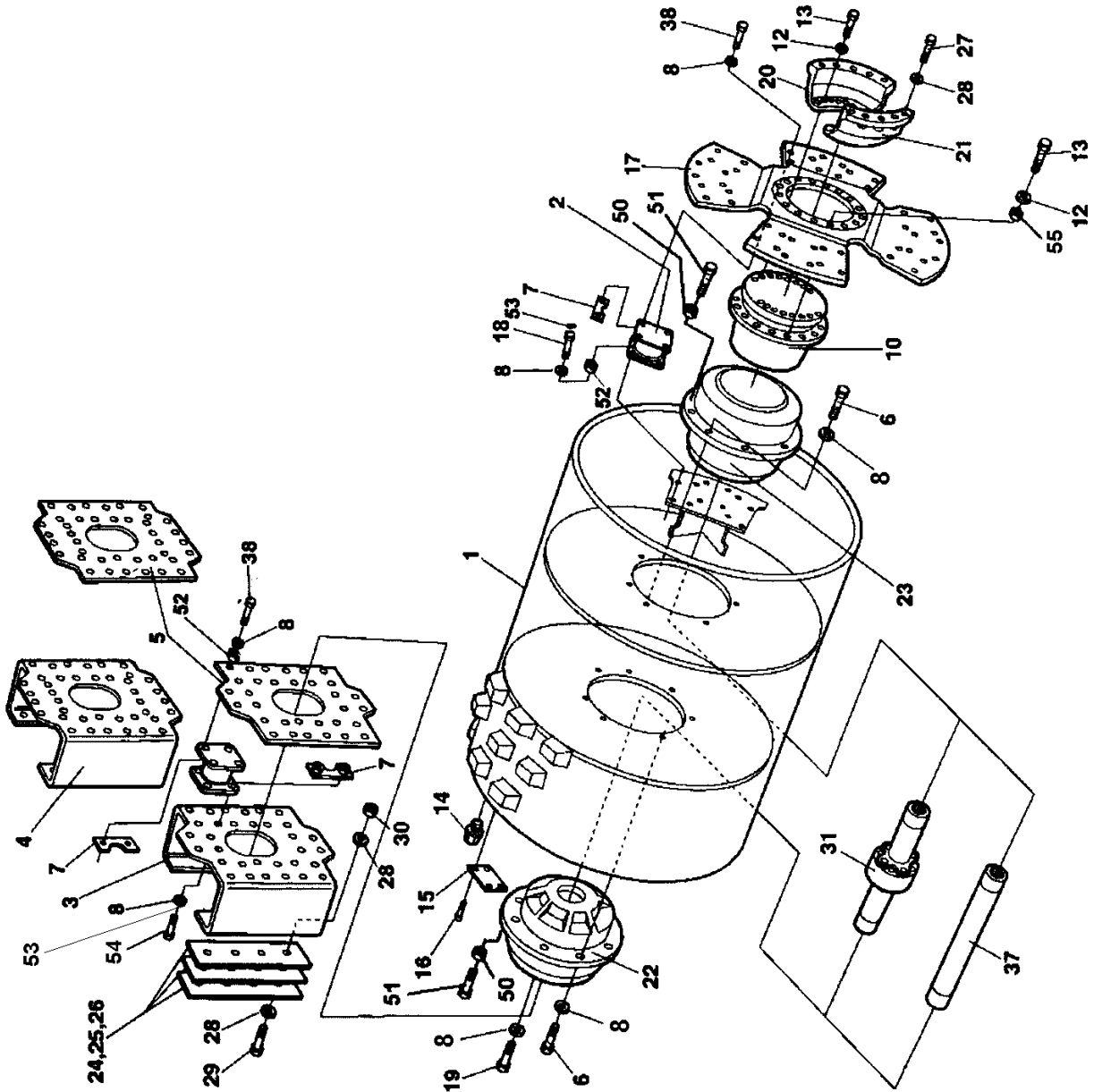
A | en_US | L = 0,46 m

B | en_US | L = 0,44 m

C | en_US | L = 0,08 m

D | en_US | L = 0,38 m

Drum Drum



Refer to Parts Online for the most up to date information. The printed information might be outdated.

Thu Aug 20 22:03:57 MDT 2015

Item	Part No.	Name	Qty	L	SN INFO
1	4700373768	Drum	1		
2	4700358172	Shock absorber	22		
3	-	Not used on this model			
4	4700371955	Holder plate	1		
5	4700371956	Holder plate	1		
6	4700500082	Screw M16x70 8.8	23		
7	4700374728	Holder	64	C	
8	4700904232	Steel plain washer	200		
10	-	Drum gear	1		
12	4700904233	Steel plain washer 21x36x3	32		
13	4700903919	Screw	32		
14	4700232210	Plug	1		
15	-	Sign plate	1		
16	4700527002	Drive screw	4		
17	4700373770	Drive disc	1		
18	4812110835	Screw M16x50H	48		
19	4700384121	Air breather screw	1		
20	4700373442	Gear holder	1	A	
21	4700373443	Gear holder	1	B	
22	-	Drum cartridge Vibration side	1		
23	-	Drum cartridge Drive side	1		
24	4700349971	Shim T=5 mm	N		
25	4700349972	Shim T=3 mm	N		
26	4700349973	Shim T=1 mm	N		
27	4700904479	Screw M24x110 10,9	10		
28	4700904234	Steel plain washer	26		
29	4700904562	Screw M24x160 10.9	8		
30	4700792464	Nut M24 -10 DIN985	8		
31	-	Not used on this model			
37	4700349682	Drive shaft	1		
38	4812110552	Screw M16x50H	128		
50	4700384114	Spacer	24		
51	4700500134	Hex. screw	24		
52	4812110576	Spacer	88		
53	4811000152	Cover cap	48		
54	4812110572	Screw w Tuflok	40		
55	4812110366	Spacer	32		

Refer to Parts Online for the most up to date information. The printed information might be outdated.

Thu Aug 20 22:03:58 MDT 2015

Comments for Page: Drum

(L)OCAL REMARKS

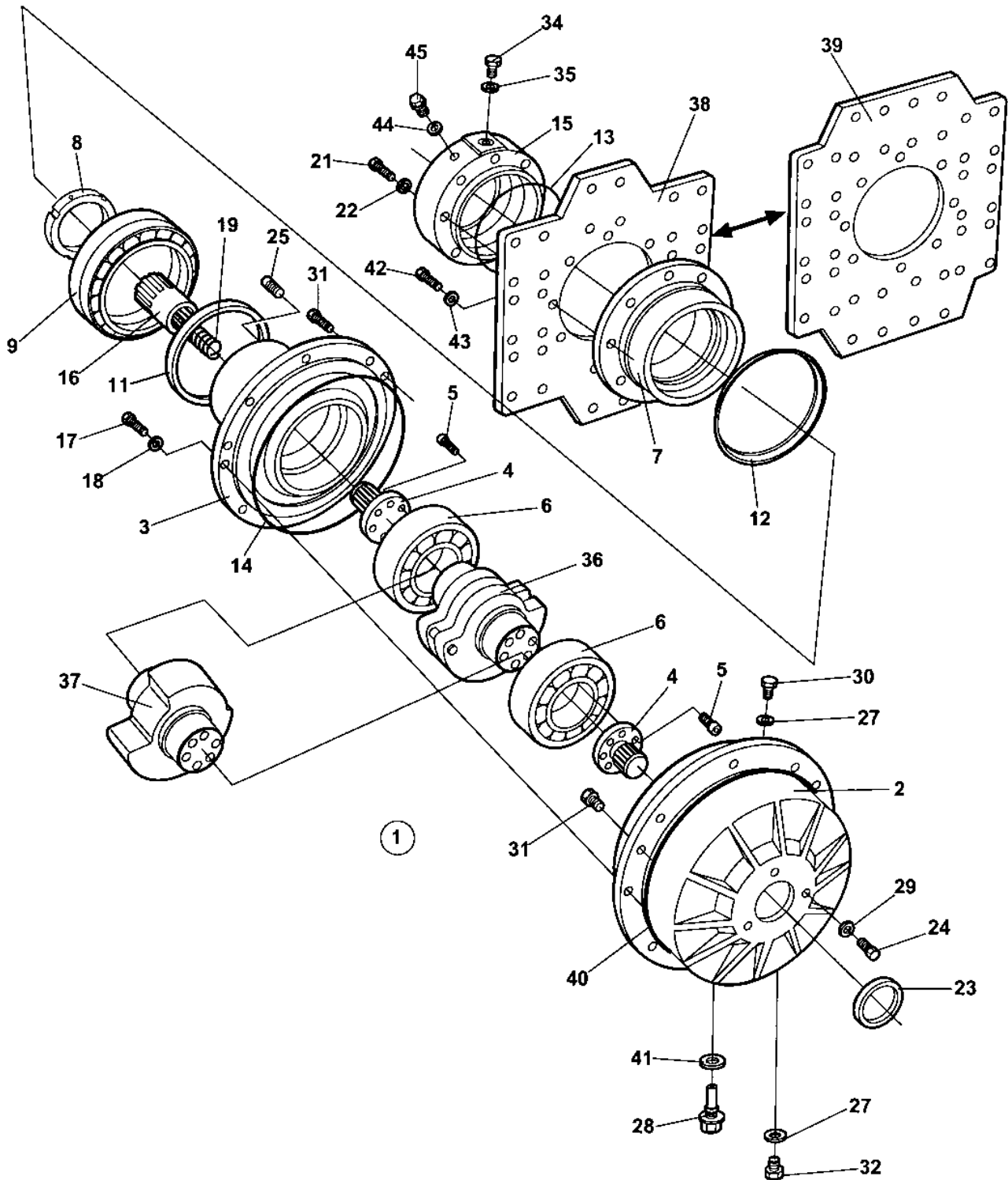
A | en_US | Right

B | en_US | Left

C | en_US | Replaces nuts with P/N 4700586021, 128 pcs.

This page intentionally left blank

Drum Drum cartridge Vibration side



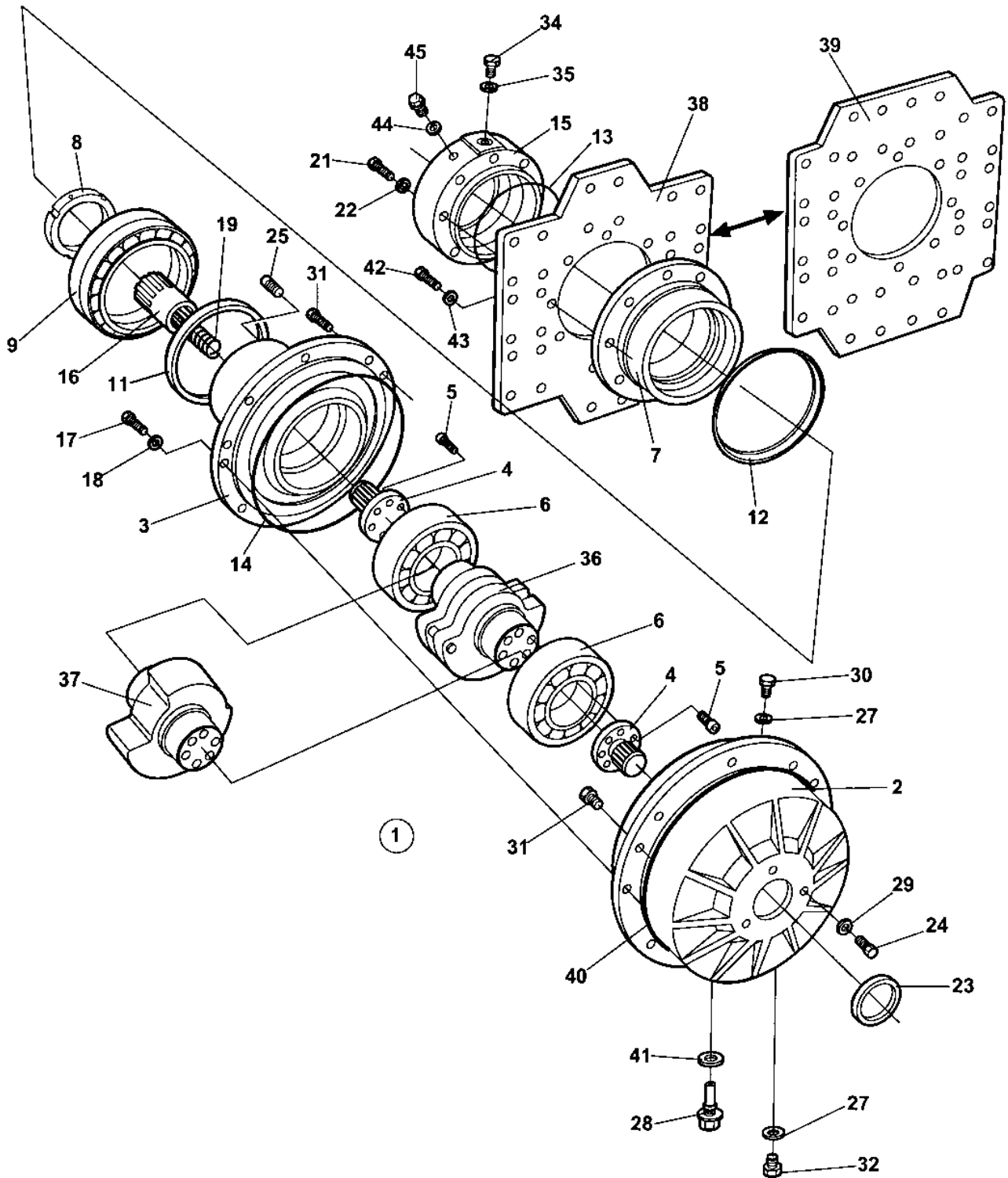
Refer to Parts Online for the most up to date information. The printed information might be outdated.

Thu Aug 20 22:03:58 MDT 2015

Item	Part No.	Name	Qty	L	SN INFO
1	4700945594	Drum cartridge	1		
1	4812155683	Drum cartridge	1	1	
2	4700392420	Bearing housing inner	1	2	
3	4700379878	Bearing housing outer	1	2	
4	4700380018	Splined shaft	2	2	
5	4700791156	Screw M10-1,5x55 12,9	16	2	
6	4700390896	Spherical roller bearing	2	2	
7	4700343318	Bearing housing	1		
8	4812112413	Shaft nut	1		
9	4700116041	Taper roller bearing	1		
11	4700167023	Seal ring	1		
12	4700929447	V-ring	1		
13	4700160105	O-ring 70	1		
14	4700900776	O-ring	1	2	
15	4812110860	ADAPTOR	1		
16	4700381027	Splined sleeve	1		
17	4700500082	Screw M16x70 8.8	12	2	
18	4700904232	Steel plain washer	12	2	
19	4700349715	Spring	1		
21	4700500196	Screw M12-1,75x80 8.8	4		
22	4700904231	Steel plain washer, 13x24x2 mm 300 HV	4		
23	4700900782	Seal ring	1	2	
24	4700500163	Hex. screw	3	2	
25	4700903189	Stop screw	3	2	
27	4700162017	Seal ring	2	2	
28	4700381634	Plug	1	2	
29	4700162027	Sealing	3	2	
30	4700343744	Magnetic plug	1	2	
31	4700900775	Plug	6	2	
32	4700232210	Plug	1	2	
34	4700370231	Plug	1		
35	4700162018	Sealing	1		
36	-	Not used on this model	1		
37	4812112749	Eccentric shaft	1	2	
38	-	Not used on this model	1		
39	4700371956	Holder plate	1		
40	4700904737	O-ring	1		

Refer to Parts Online for the most up to date information. The printed information might be outdated.

Thu Aug 20 22:03:58 MDT 2015



Refer to Parts Online for the most up to date information. The printed information might be outdated.
 Thu Aug 20 22:03:58 MDT 2015

Item	Part No.	Name	Qty	L	SN INFO
41	4700162011	Washer, 16.7 x 24 x 1.5 mm Type A M16 , 0.66 x 4.88 x 0.06 in.	1	2	
42	4700500082	Screw M16x70 8.8	8		
43	4700384114	Spacer	8		
44	4700162024	Washer sealing	1		
45	4700903190	Steel plug threaded	1		

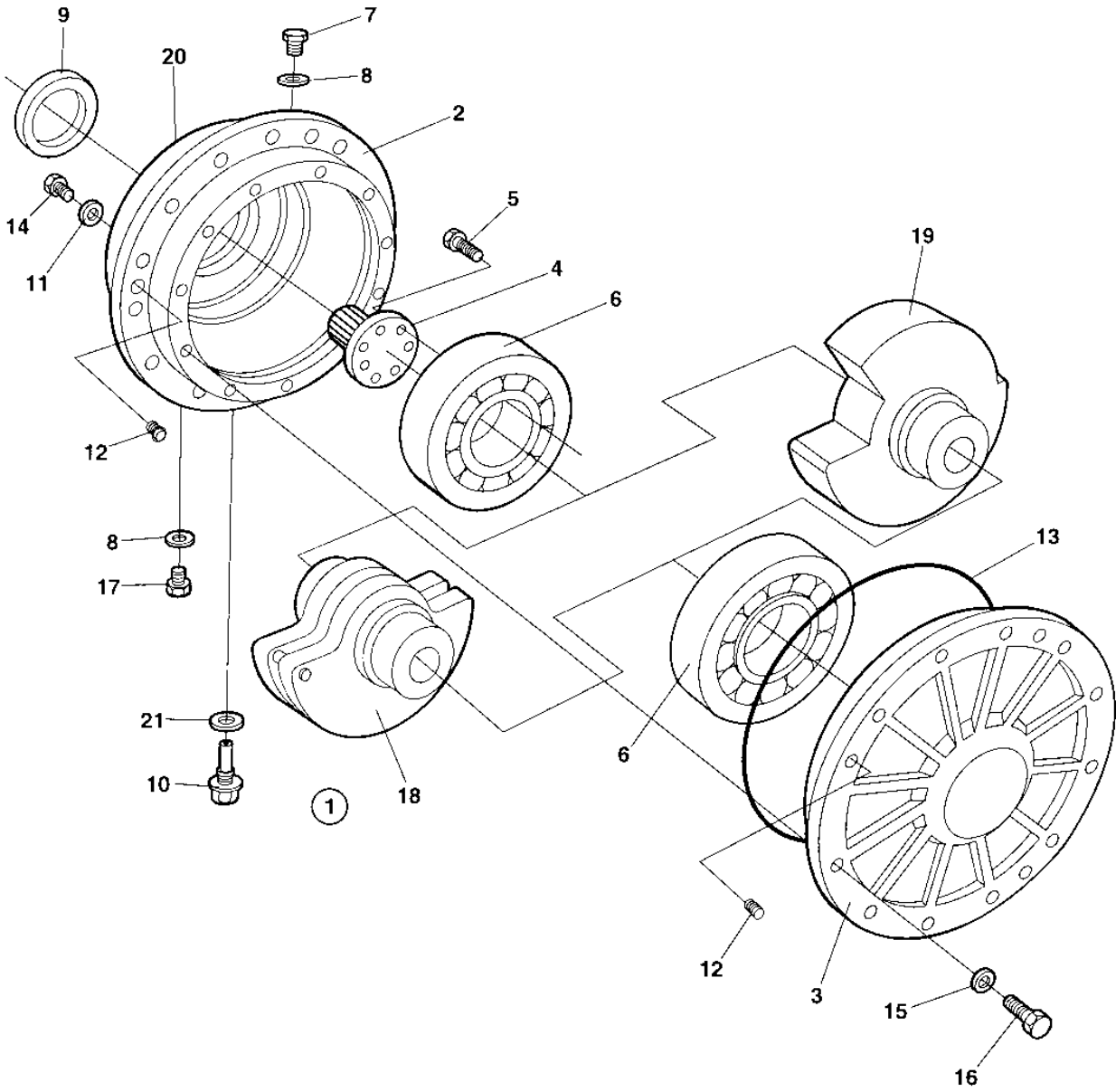
Comments for Page: Drum cartridge Vibration side

(L)OCAL REMARKS

1 | en_US | With pre-mounted shaft nut item 8. Includes also item 7,9,11 and 12.

2 | en_US | Included in complete drum cartridge, item 1

Drum Drum cartridge Drive side

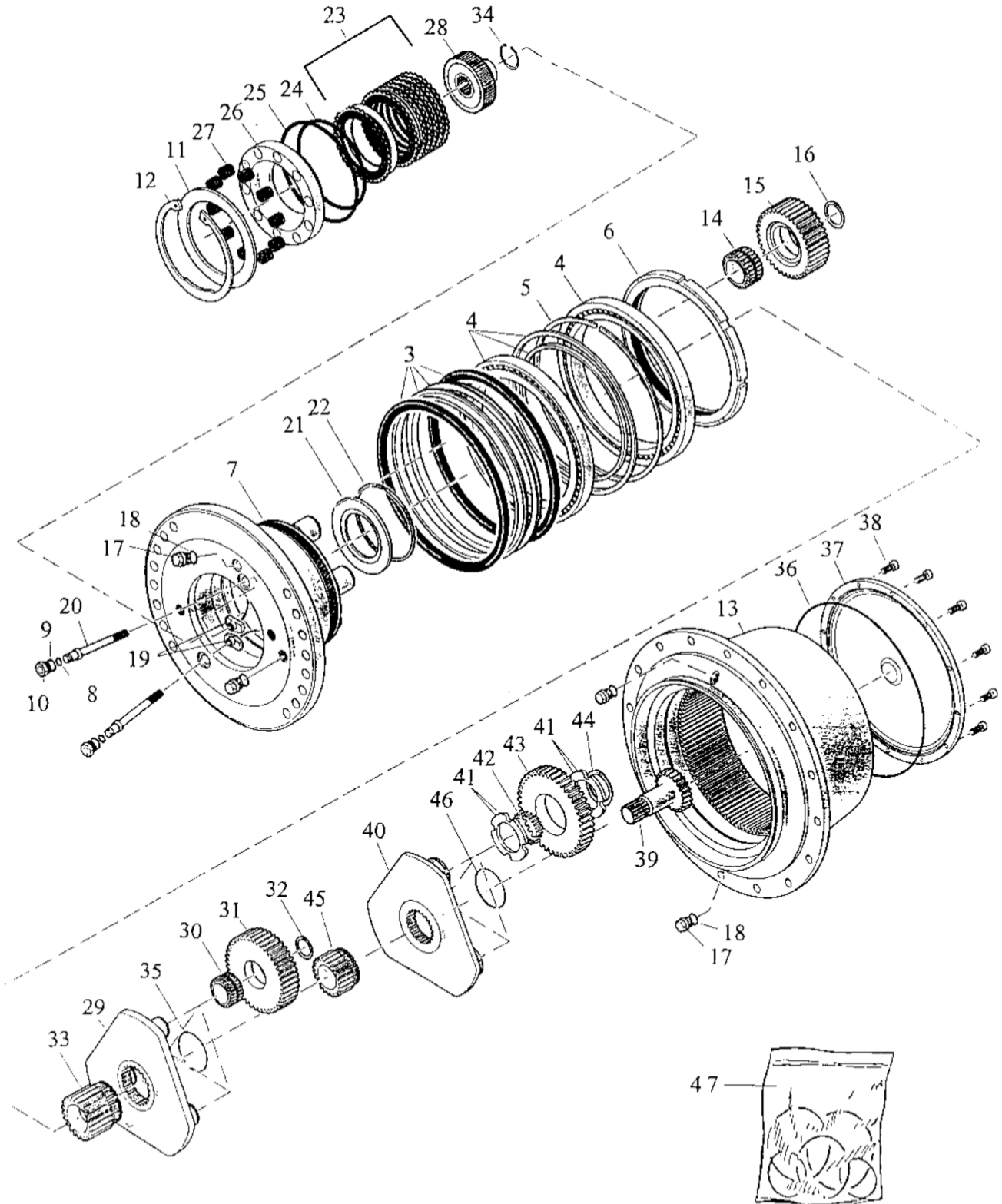


Refer to Parts Online for the most up to date information. The printed information might be outdated.

Thu Aug 20 22:03:59 MDT 2015

Item	Part No.	Name	Qty	L	SN INFO
1	4700945587	Drum cartridge	1		
2	4700392420	Bearing housing inner	1		
3	4700379876	Bearing housing outer	1		
4	4700380018	Splined shaft	1		
5	4700791156	Screw M10-1,5x55 12,9	8		
6	4700390896	Spherical roller bearing	2		
7	4700343744	Magnetic plug	1		
8	4700162017	Seal ring	2		
9	4700900782	Seal ring	1		
10	4700381634	Plug	1		
11	4700162027	Sealing	3		
12	4700900775	Plug	6		
13	4700900776	O-ring	1		
14	4700500163	Hex. screw	3		
15	4700904232	Steel plain washer	12		
16	4700500082	Screw M16x70 8.8	12		
17	4700232210	Plug	1		
18	-	Not used on this model			
19	4812112749	Eccentric shaft	1		
20	4700904737	O-ring	1		
21	4700162011	Washer, 16.7 x 24 x 1.5 mm Type A M16 , 0.66 x 4.88 x 0.06 in.	1		

Drum Drum gear



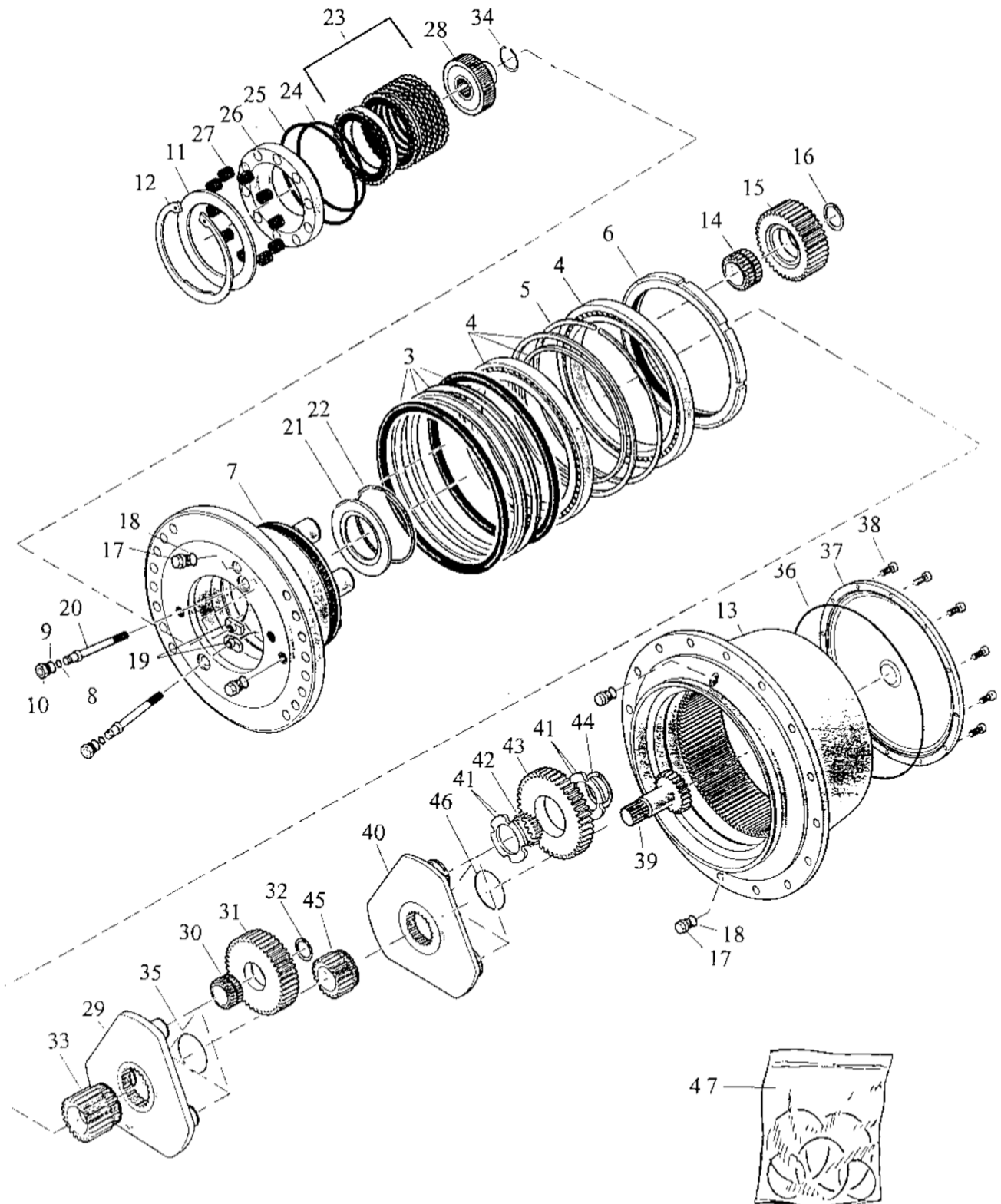
Refer to Parts Online for the most up to date information. The printed information might be outdated.

Thu Aug 20 22:04:00 MDT 2015

Item	Part No.	Name	Qty	L	SN INFO
1	4700371512	Drum gear	1		
3	4700935381	Seal	1		
4	4700935382	Roller bearing	1		
5		Spring ring	0		
6		Nut	0		
7		Hub	0		
8	4700935386	O-ring	2		
9	4700813618	O-ring	2		
10	4700935387	Plug	2		
11	4700935388	Support plate	1		
12	4700935389	Retaining ring	1		
13		Hollow wheel	0		
14		Roller bearing	0		
15		Planet gear	0		
16		Retaining ring	0		
17	4700935394	Plug	4		
18	4700935395	Seal ring	4		
19	4700935396	Setting lug	2		
20	4700935397	Spindle bolt	2		
21		Plate	0		
22		Spring ring	0		
23	4700935400	Brake disc kit	1		
24	4700935401	O-ring	1		
25	4700935402	O-ring	1		
26	4700935403	Piston	1		
27	4700935404	Spring	10		
28	4700935405	Coupling	1		
29		Planet carrier	0		
30		Roller bearing	0		
31		Planet gear	0		
32		Retaining ring	0		
33		Sun wheel	0		
34	4700935411	Retaining ring	1		
35		Spring ring	0		
36	4700935413	O-ring	1		
37	4700935414	Cover	1		
38	4700935415	Screw	12		

Refer to Parts Online for the most up to date information. The printed information might be outdated.

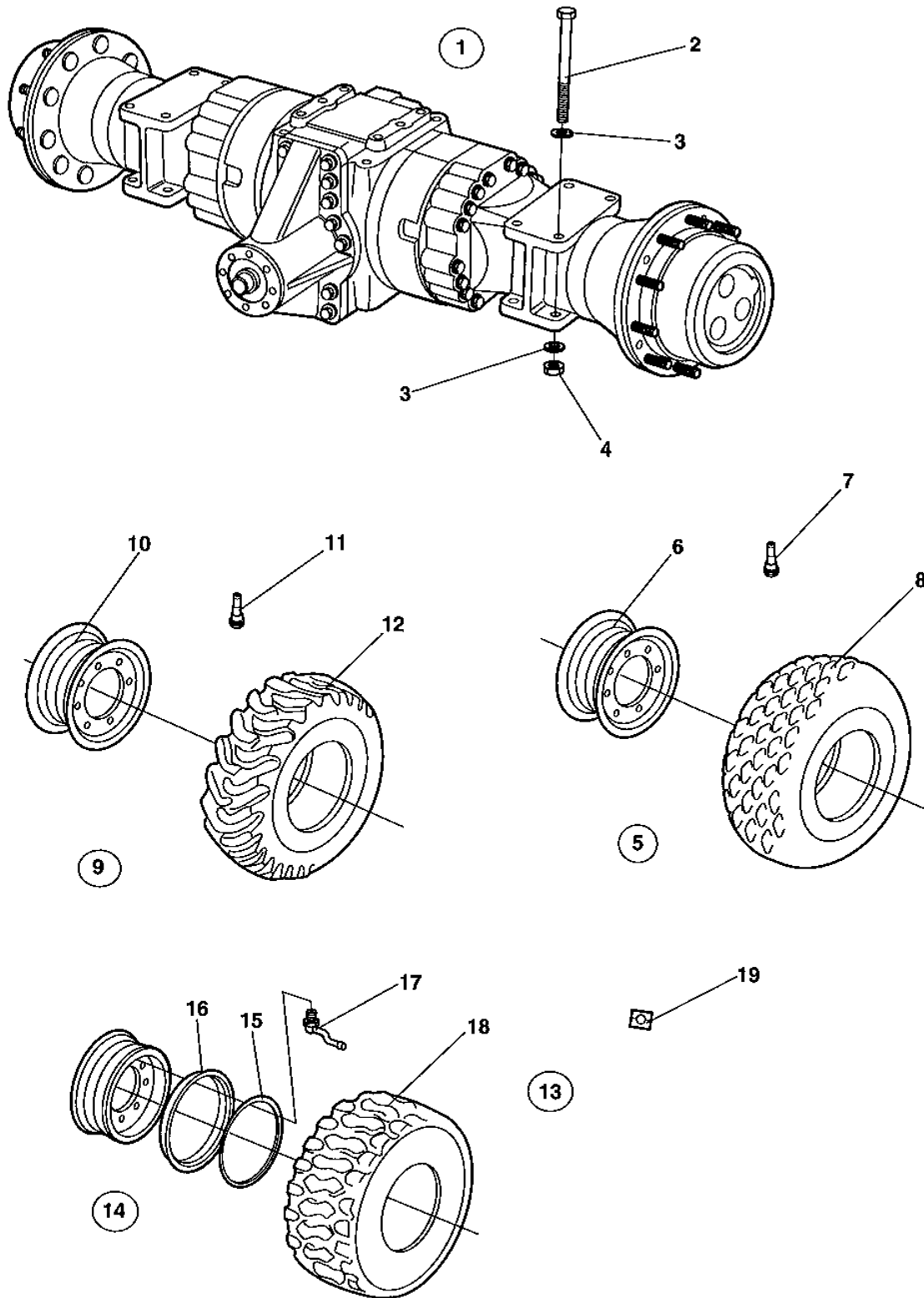
Thu Aug 20 22:04:00 MDT 2015



Refer to Parts Online for the most up to date information. The printed information might be outdated.

Thu Aug 20 22:04:00 MDT 2015

Item	Part No.	Name	Qty	L	SN INFO
39		Sun wheel	0		
40		Planet carrier	0		
41		Plate	0		
42		Needle roller bearing	0		
43		Planet gear	0		
44		Retaining ring	0		
45		Sun wheel	0		
46		Spring ring	0		
47	4700935380	Seal kit	1		

Transmission Rear axle and wheels

Refer to Parts Online for the most up to date information. The printed information might be outdated.

Thu Aug 20 22:04:00 MDT 2015

Item	Part No.	Name	Qty	L	SN INFO
1	4700385100	Rear axle Limited slip	1		
2	4700929217	Screw	8		
3	4700904233	Steel plain washer 21x36x3	16		
4	4700901145	Lock nut M20-10	8		
5	4700390762	Wheel, cpl	2	A	
5	4700388146	Wheel, cpl	2	A, I	
6	4700393335	Rim	1		
7	4700792261	Air charging valve Straight	1		
8	4700390591	Tyre	1		
8	4700791573	Tyre	1	J	
9	4700390760	Tractor wheel, cpl	1	D	
9	4700390759	Tractor wheel, cpl	1	E	
10	4700393335	Rim	1		
11	4700792261	Air charging valve Straight	1		
12	4700390589	Tyre	1		
13	4700383975	Wheel, tubeless, cpl	2	B	
14	4700383955	Rim cpl	1		
15	4700901443	Snap ring	1		
16	4700901444	Side ring	1		
17	4700791175	Air charging valve	1		
17	4700791176	Valve foot	1		
18	4700901218	Tyre	1		
19	4700903985	Decal "SAFETY"	1	G	
19	4700355983	Decal "TYRE PRESSURE" 200kPa/29psi	2	H	

Comments for Page: Rear axle and wheels

(L)OCAL REMARKS

A | en_US | Liquidfilled

B | en_US | Liquidfilled, Option, Michelin branded.

D | en_US | Liquidfilled tyre, left.

E | en_US | Liquidfilled tyre, right.

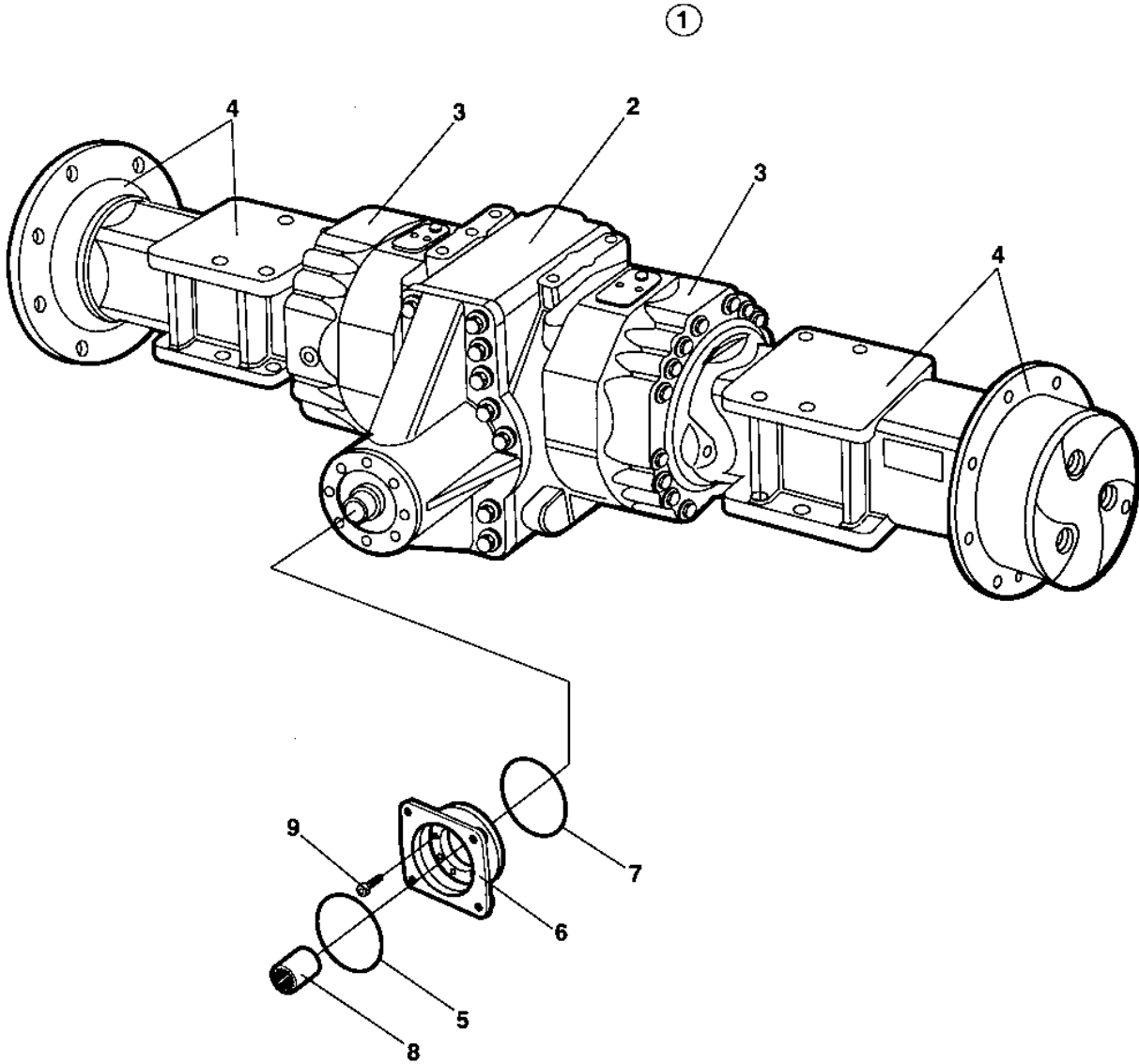
G | en_US | Used with Liquid filled tyres.

H | en_US | Used with item 13, 4700383975.

I | en_US | For Chinese market.

J | en_US | Used with 4700388146.

4700385100 Rear axle Limited slip 4700385100 Rear axle Limited slip

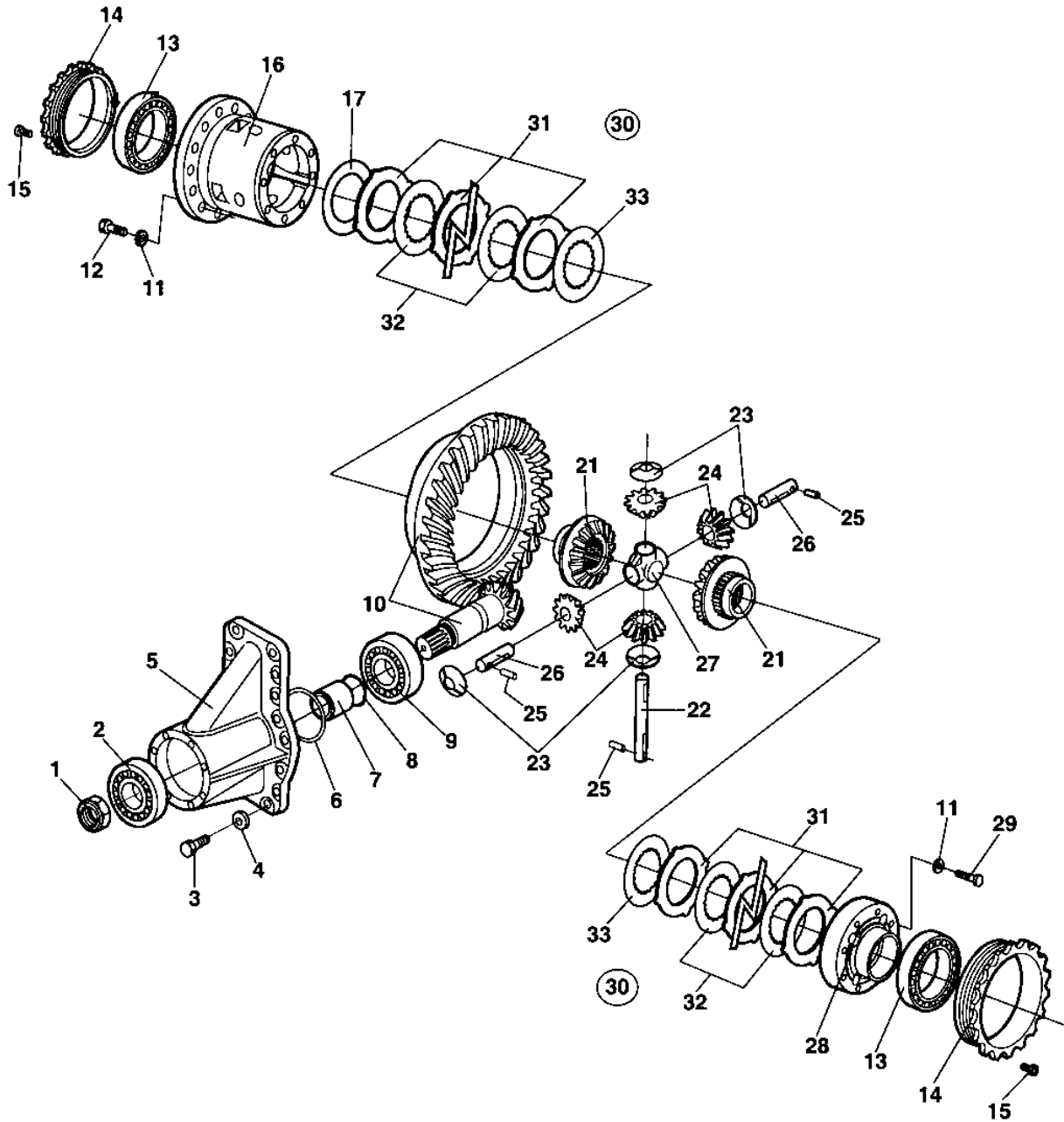


Refer to Parts Online for the most up to date information. The printed information might be outdated.

Thu Aug 20 22:04:01 MDT 2015

Item	Part No.	Name	Qty	L	SN INFO
1	-	Rear axle	1		
2	-	Differential with limited slip	1		
3	-	Differential housing and brakes	2		
4	-	Planet gear	2		
5	4700909584	O-ring	1		
6	4700900255	Flange	1		
7	4700929648	O-ring	1		
8	4700901834	Splined sleeve	1		
9	4700909582	Screw	8		

4700385100 Rear axle Limited slip Differential with limited slip



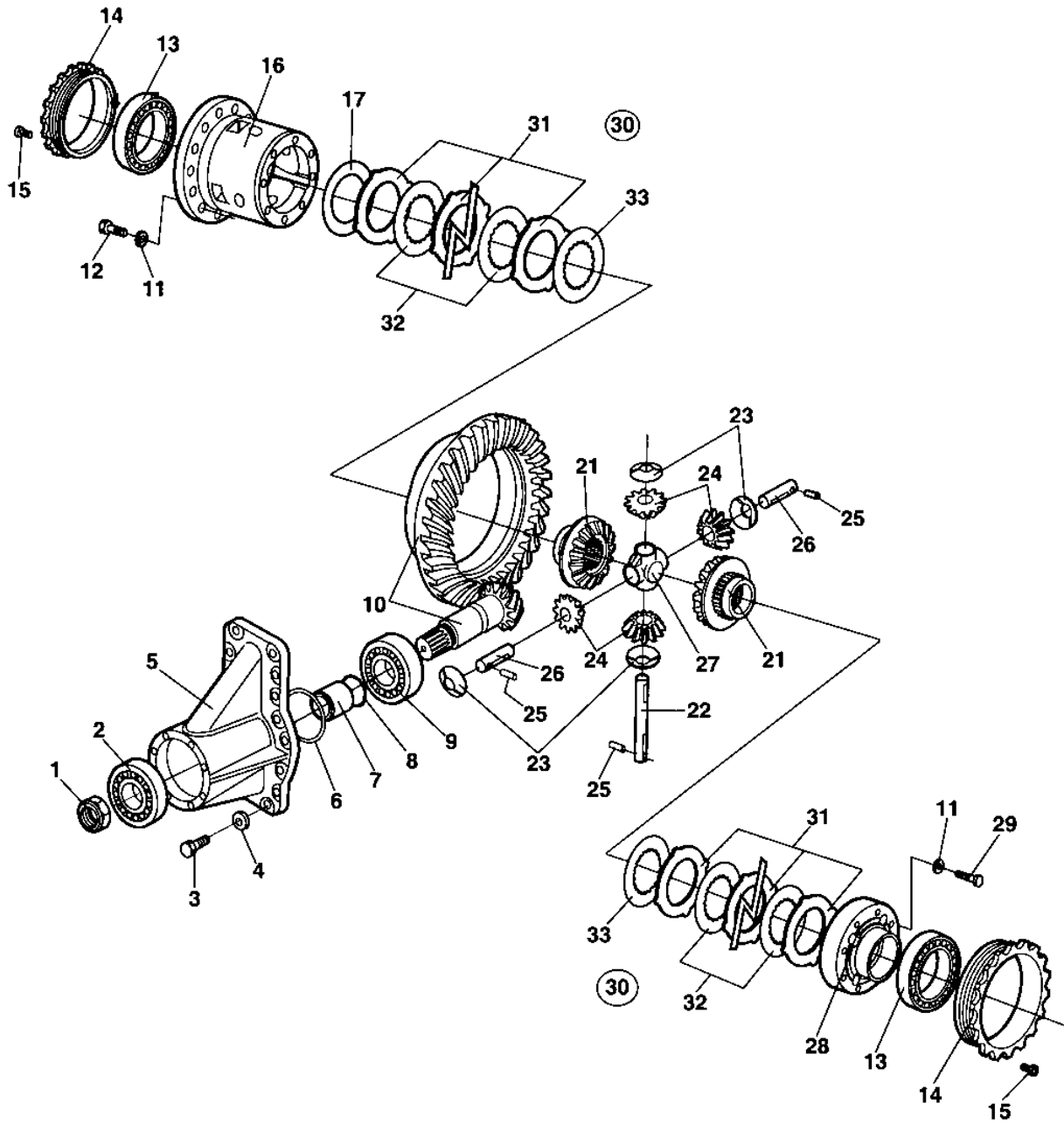
Refer to Parts Online for the most up to date information. The printed information might be outdated.

Thu Aug 20 22:04:01 MDT 2015

Item	Part No.	Name	Qty	L	SN INFO
1	4700929638	Nut	1		
2	4700909574	Tapered roller bearing	1		
3	4700939257	Bolt	16		
4	4700909572	Spring washer	16		
5	4700908485	Housing	1		
6	4700909568	Shim t = 0.10mm	1		
6	4700909569	Shim t = 0.20mm	1		
6	4700909570	Shim t = 0.50mm	1		
6	4700939258	Shim t = 0.15mm	1		
7	4700909567	Spacer	1		
8	4700939259	Shim t = 0.15mm	1		
8	4700909580	Shim t = 0.20mm	1		
8	4700909576	Shim t = 0.30mm	1		
8	4700929644	Shim t = 0.40mm	1		
8	4700939260	Shim t = 0.50mm	1		
9	4700909581	Tapered roller bearing	1		
10	4700212553	Bevel gear set	1		
11	4700929628	Washer	16		
12	4700929629	Screw	16		
13	4700923342	Tapered roller bearing	1		
14	4700939261	Ring nut	2		
15	4700938989	Bolt	2		
16	4700909550	Differential carrier	1		
17	4700909551	Shim t = 0.30mm	1		
17	4700909552	Shim t = 0.40mm	1		
17	4700909553	Shim t = 0.10mm	1		
21	4700909558	Differential side gear	2		
22	4700909566	Shaft	1		
23	4700909559	Friction washer	4		
24	4700939262	Differential pinion	4		
25	4700909561	Roll pin	3		
26	4700909560	Shaft	2		
27	4700909565	Shaft retainer	1		
28	4700909562	Differential carrier cover	1		
29	4700909563	Screw	8		
30	4700935644	Disc kit	2		
31	-	Limited slip disc	10		

Refer to Parts Online for the most up to date information. The printed information might be outdated.

Thu Aug 20 22:04:01 MDT 2015

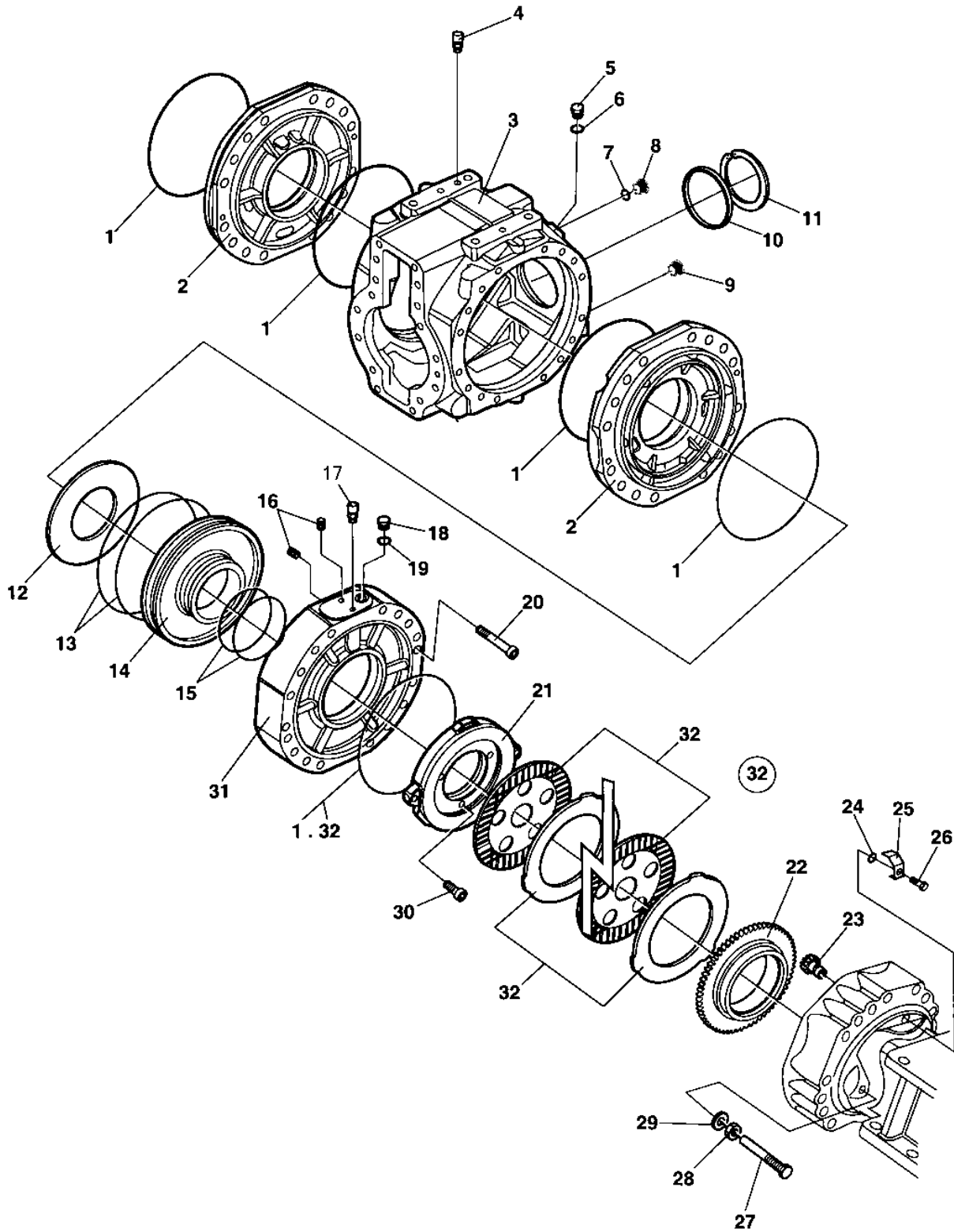


Refer to Parts Online for the most up to date information. The printed information might be outdated.

Thu Aug 20 22:04:01 MDT 2015

Item	Part No.	Name	Qty	L	SN INFO
32	-	Limited slip disc	8		
33	-	Limited slip disc	2		

4700385100 Rear axle Limited slip Differential housing and brakes

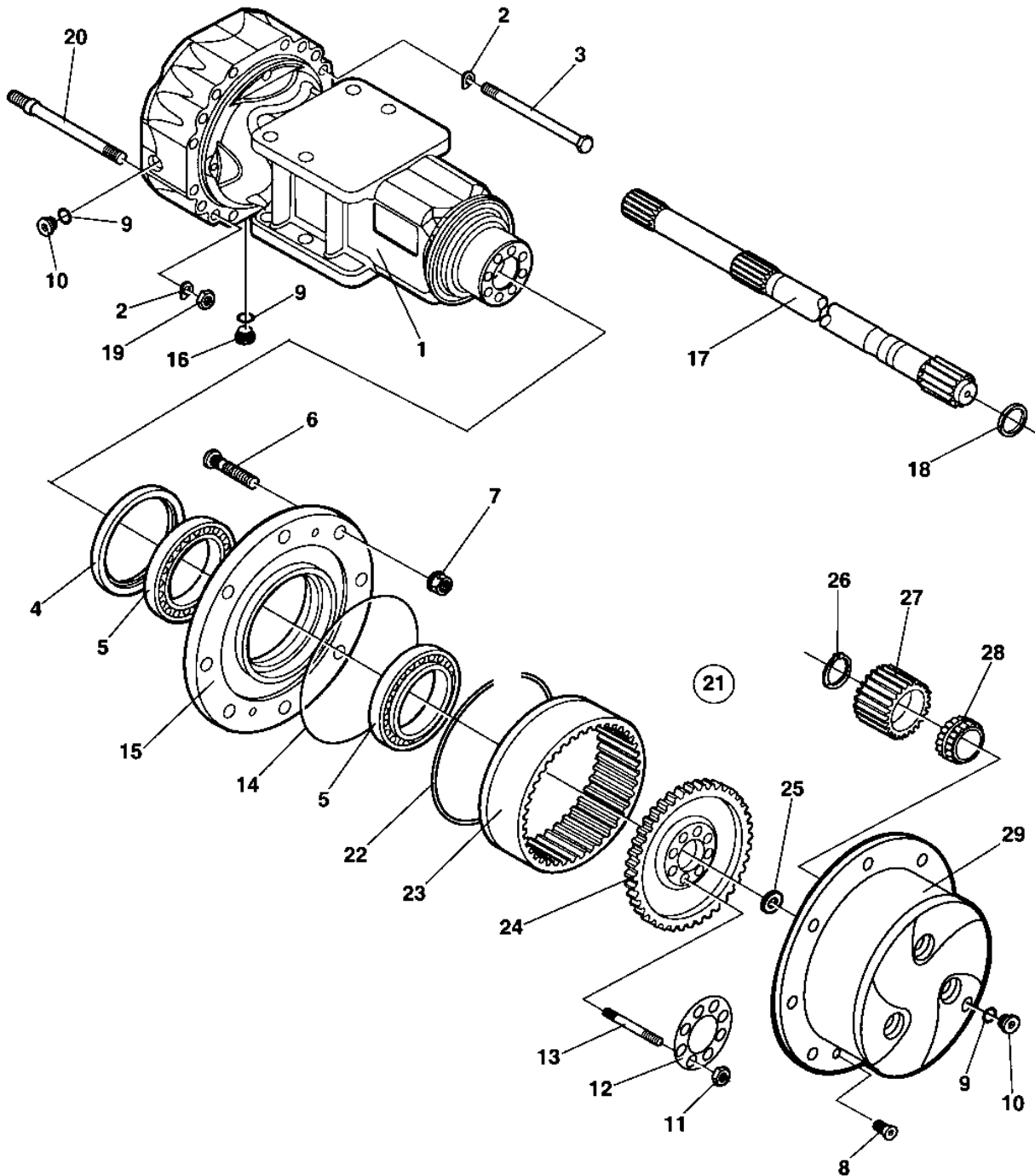


Refer to Parts Online for the most up to date information. The printed information might be outdated.

Thu Aug 20 22:04:01 MDT 2015

Item	Part No.	Name	Qty	L	SN INFO
1	4700909609	O-ring	6		
2	4700939255	Cover	2		
3	4700939256	Housing	1		
4	4700938984	Vent nipple	1		
5	4700909544	Screw	2		
6	4700938983	Seal washer	2		
7	-	Not used on this model	0		
8	4700939348	Plug	1		
9	4700926810	Magnetic plug	1		
10	4700938296	Plug	1		
11	4700929617	Snap ring	1		
12	4700909616	Spring	2		
13	4700909618	O-ring	4		
14	4700939280	Piston	2		
15	4700909619	O-ring	4		
16	4700939281	Bolt	4		
17	4700938984	Vent nipple	2		
18	4700939282	Bolt	2		
19	4700939036	Sealing washer	2		
20	4700939035	Screw	4		
21	4700939283	Disc	2		
22	4700939285	Ring	2		
23	4700909622	Pinion	2		
24	4700900966	O-ring	2		
25	4700939286	Lock plate	2		
26	4700909624	Screw	2		
27	4700909626	Bolt	4		
28	4700900957	Nut	4		
29	4700926847	Sealing washer	4		
30	4700939026	Screw	6		
31	4700939287	Cover	2		
32	4700939284	Brake disc kit	2		
32	-	Brake disc	12		
32	-	Brake disc	12		
32	4700909609	O-ring	2		

4700385100 Rear axle Limited slip Planet gear

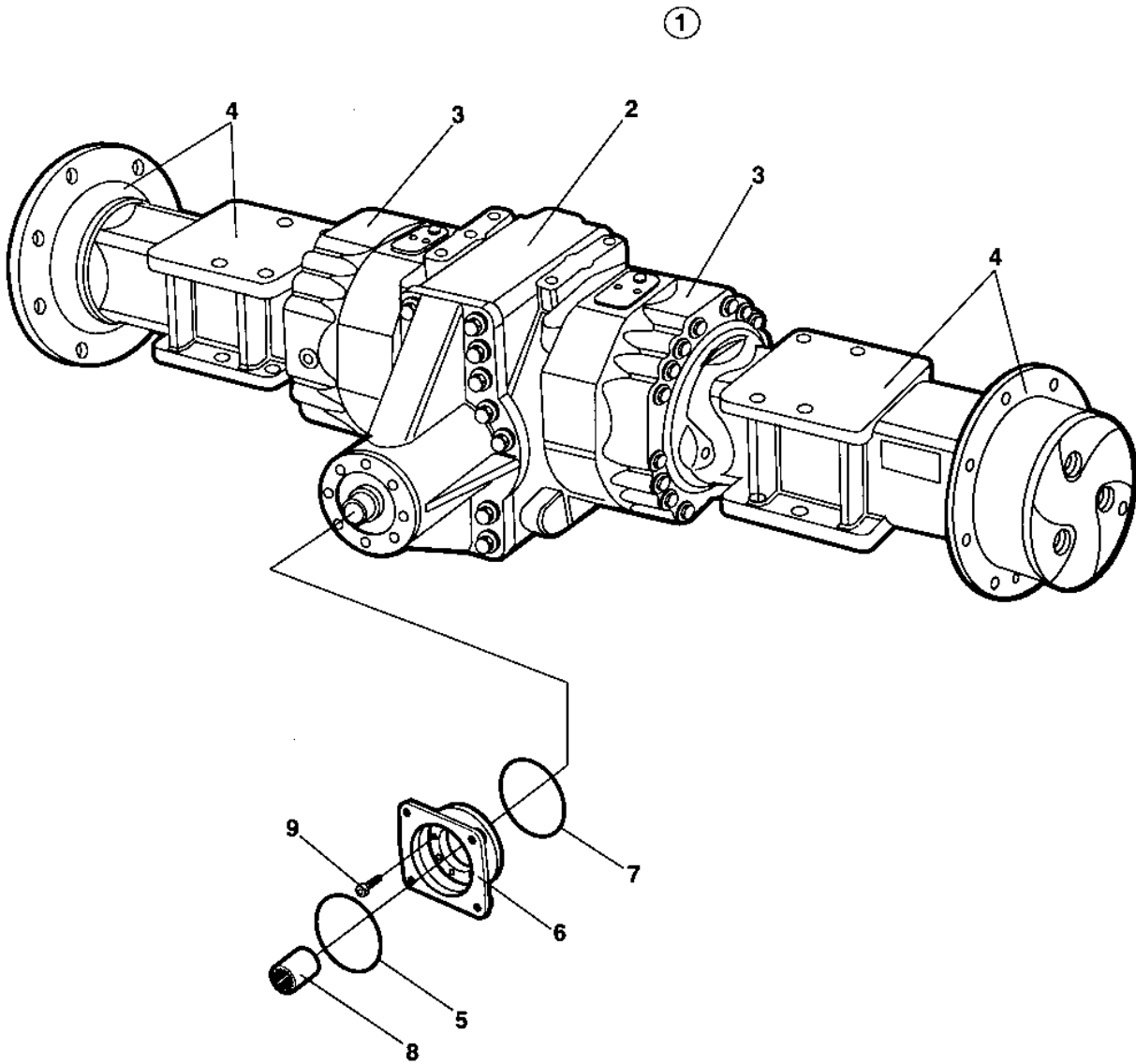


Refer to Parts Online for the most up to date information. The printed information might be outdated.

Thu Aug 20 22:04:01 MDT 2015

Item	Part No.	Name	Qty	L	SN INFO
1	4700939263	Axle case	2		
2	4700939003	Spring washer	32		
3	4700939264	Bolt	24		
4	4700939265	Seal	2		
5	4700939266	Bearing	4		
6	4700926781	Wheel screw	20		
7	4700901987	Wheel nut	20		
8	4700939015	Screw	4		
9	-	Not used on this model	0		
10	4700939348	Plug	4		
11	4700939016	Nut	20		
12	4700939275	Lock plate	2		
13	4700939017	Stud	20		
14	4700909609	O-ring	2		
15	4700939276	Wheel hub	2		
16	4700939350	Magnetic plug	2		
17	4700939277	Half shaft	2		
18	4700909586	Seal	2		
19	4700939019	Nut	8		
20	4700939278	Stud	8		
21	4700939351	Planet gear carrier Cpl.	2		
22	4700939267	Circlip	2		
23	4700939268	Ring gear	2		
24	4700939269	Ring gear support	2		
25	4700939270	Washer	2		
26	4700939271	Seal	8		
27	4700939272	Planet gear	8		
28	4700939273	Bearing	8		
29	4700939349	Planet gear carrier Cpl.	2		

4700383856 Rear axle No-Spin, Option 4700383856 Rear axle No-Spin, Option

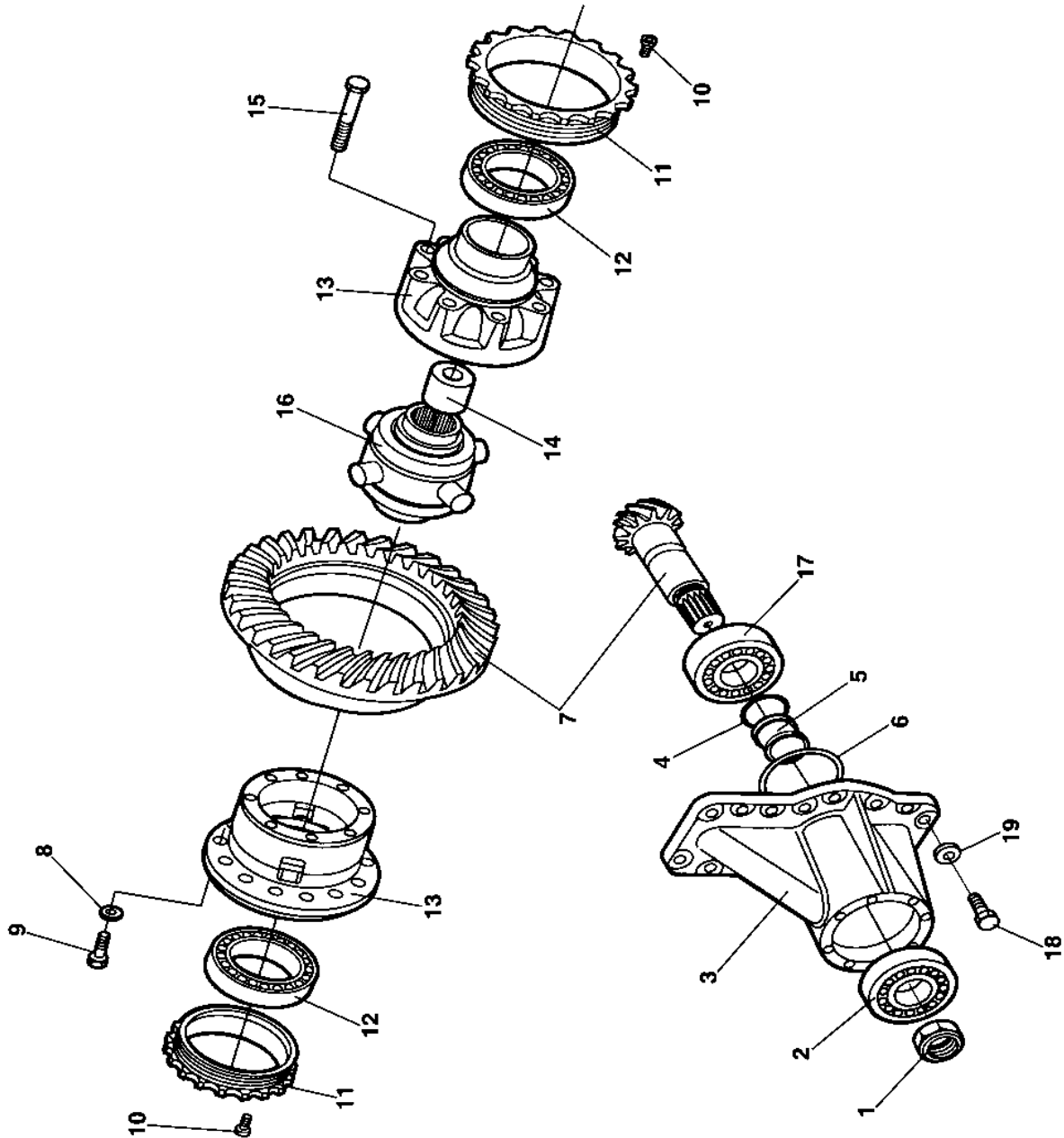


Refer to Parts Online for the most up to date information. The printed information might be outdated.

Thu Aug 20 22:04:01 MDT 2015

Item	Part No.	Name	Qty	L	SN INFO
1	-	Rear axle	1		
2	-	Differential with no-spin	1		
3	-	Differential housing and brakes	2		
4	-	Planet gear	2		
5	4700909584	O-ring	1		
6	4700900255	Flange	1		
7	4700929648	O-ring	1		
8	4700901834	Splined sleeve	1		
9	4700909582	Screw	8		

4700383856 Rear axle No-Spin, Option Differential with no-spin

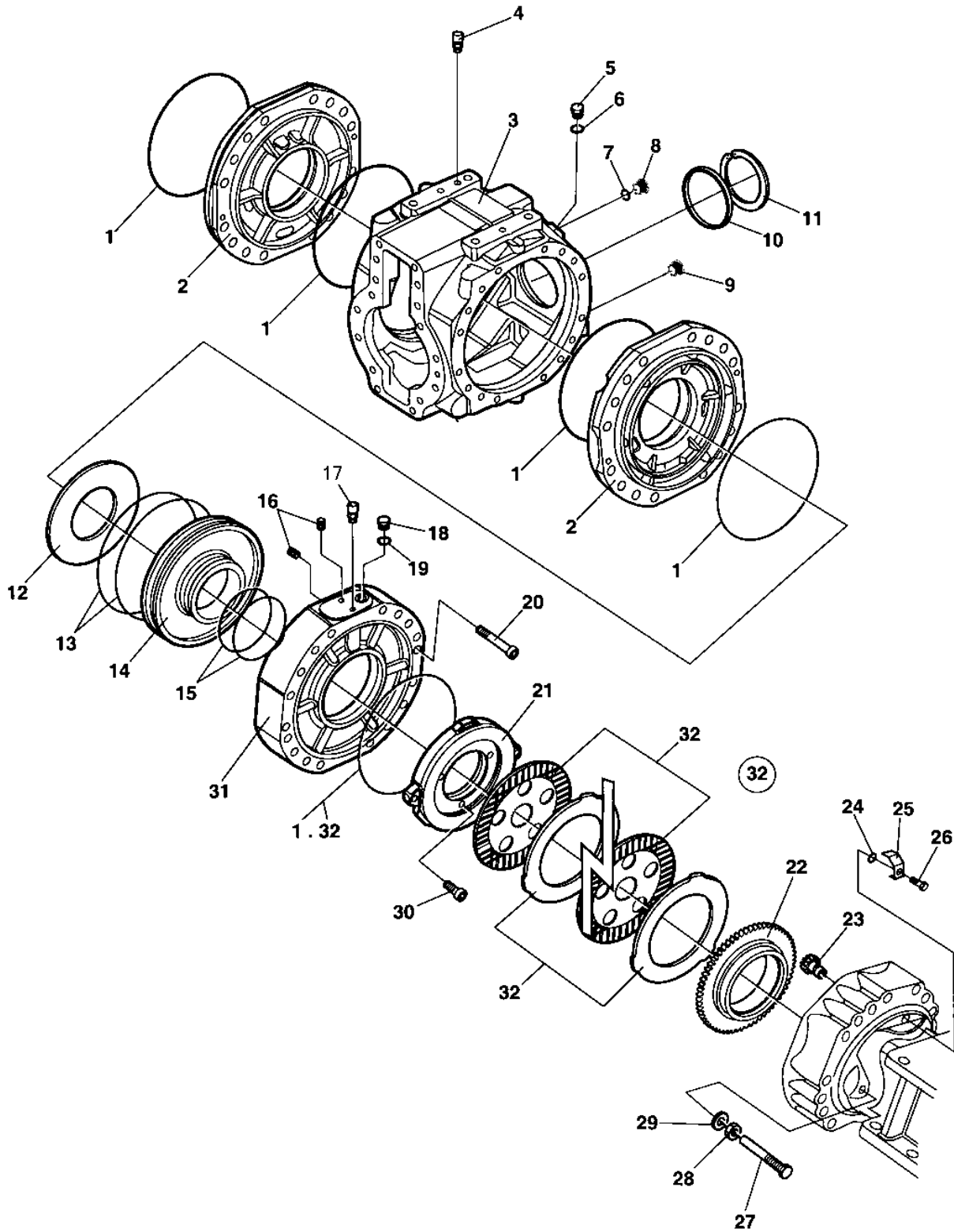


Refer to Parts Online for the most up to date information. The printed information might be outdated.

Thu Aug 20 22:04:02 MDT 2015

Item	Part No.	Name	Qty	L	SN INFO
1	4700929638	Nut	1		
2	4700909574	Tapered roller bearing	1		
3	4700908485	Housing	1		
4	4700939259	Shim t = 0.15mm	1		
4	4700909580	Shim t = 0.20mm	1		
4	4700909576	Shim t = 0.30mm	1		
4	4700929644	Shim t = 0.40mm	1		
4	4700939260	Shim t = 0.50mm	1		
5	4700909567	Spacer	1		
6	4700909568	Shim t = 0.10mm	1		
6	4700909569	Shim t = 0.20mm	1		
6	4700909570	Shim t = 0.50mm	1		
6	4700939258	Shim t = 0.15mm	1		
7	4700212553	Bevel gear set	1		
9	4700938991	Bolt	16		
10	4700938989	Bolt	2		
11	4700939261	Ring nut	2		
12	4700923342	Tapered roller bearing	1		
13	4700929630	Differential case	1		
14	4700929631	Spacer	1		
15	4812156885	Screw	8		
16	4700929626	Non-spin unit	1		
17	4700909581	Tapered roller bearing	1		
18	4812156886	Bolt	16		
19	4700909572	Spring washer	16		

4700383856 Rear axle No-Spin, Option Differential housing and brakes

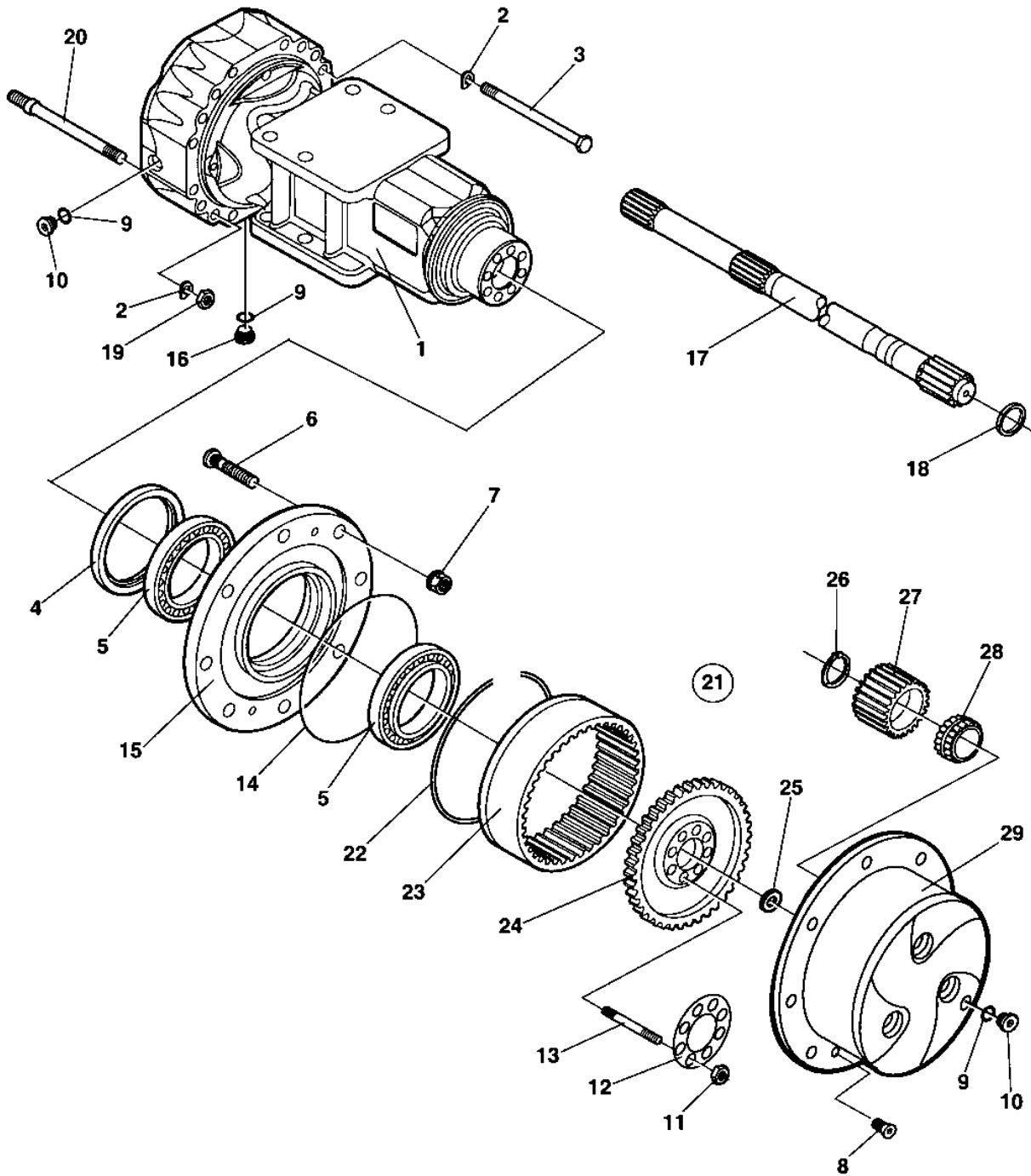


Refer to Parts Online for the most up to date information. The printed information might be outdated.

Thu Aug 20 22:04:02 MDT 2015

Item	Part No.	Name	Qty	L	SN INFO
1	4700909609	O-ring	6		
2	4700939255	Cover	2		
3	4700939256	Housing	1		
4	4700938984	Vent nipple	1		
5	4700909544	Screw	2		
6	4700938983	Seal washer	2		
7	4700330333	Copper washer	1		
8	4700909596	Plug	1		
9	4700926810	Magnetic plug	1		
10	4700938296	Plug	1		
11	4700929617	Snap ring	1		
12	4700909616	Spring	2		
13	4700909618	O-ring	4		
14	4700939280	Piston	2		
15	4700909619	O-ring	4		
16	4700939281	Bolt	4		
17	4700938984	Vent nipple	2		
18	4700939282	Bolt	2		
19	4700939036	Sealing washer	2		
20	4700939035	Screw	4		
21	4700939283	Disc	2		
22	4700939285	Ring	2		
23	4700909622	Pinion	2		
24	4700900966	O-ring	2		
25	4700939286	Lock plate	2		
26	4700909624	Screw	2		
27	4700909626	Bolt	4		
28	4700900957	Nut	4		
29	4700926847	Sealing washer	4		
30	4700939026	Screw	6		
31	4700939287	Cover	2		
32	4700939284	Brake disc kit	2		
32	-	Brake disc	12		
32	-	Brake disc	12		
32	4700909609	O-ring	2		

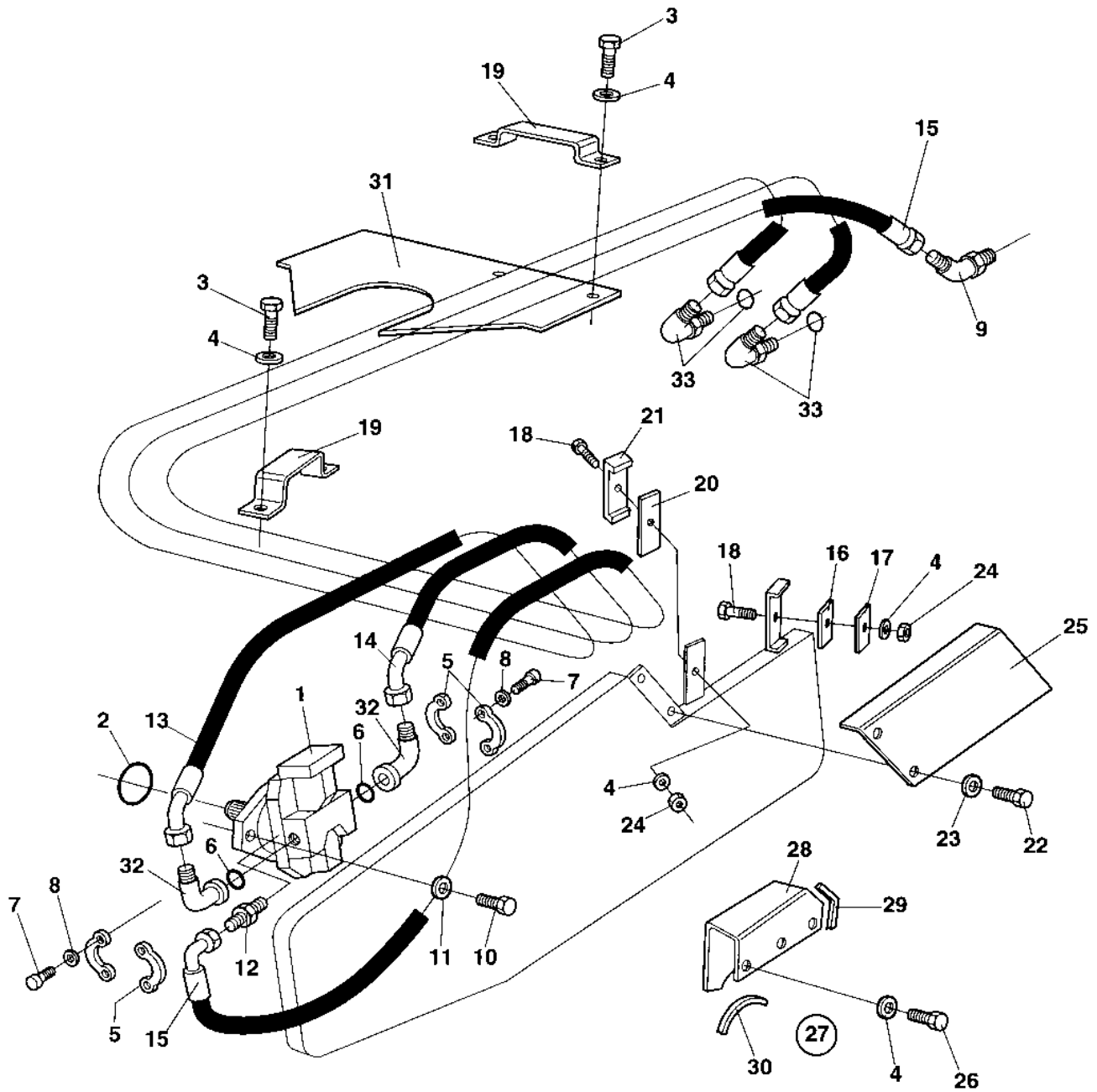
4700383856 Rear axle No-Spin, Option Planet gear



Refer to Parts Online for the most up to date information. The printed information might be outdated.

Thu Aug 20 22:04:02 MDT 2015

Item	Part No.	Name	Qty	L	SN INFO
1	4700939263	Axle case	2		
2	4700939003	Spring washer	32		
3	4700939264	Bolt	24		
4	4700939265	Seal	2		
5	4700939266	Bearing	4		
6	4700926781	Wheel screw	20		
7	4700901987	Wheel nut	20		
8	4700939015	Screw	4		
9	4700330333	Copper washer	6		
10	4700909596	Plug	4		
11	4700939016	Nut	20		
12	4700939275	Lock plate	2		
13	4700939017	Stud	20		
14	4700909609	O-ring	2		
15	4700939276	Wheel hub	2		
16	4700939350	Magnetic plug	2		
17	4700939277	Half shaft	2		
18	4700909586	Seal	2		
19	4700939019	Nut	8		
20	4700939278	Stud	8		
21	4700939351	Planet gear carrier Cpl.	2		
22	4700939267	Circlip	2		
23	4700939268	Ring gear	2		
24	4700939269	Ring gear support	2		
25	4700939270	Washer	2		
26	4700939271	Seal	8		
27	4700939272	Planet gear	8		
28	4700939273	Bearing	8		
29	4700939349	Planet gear carrier Cpl.	2		

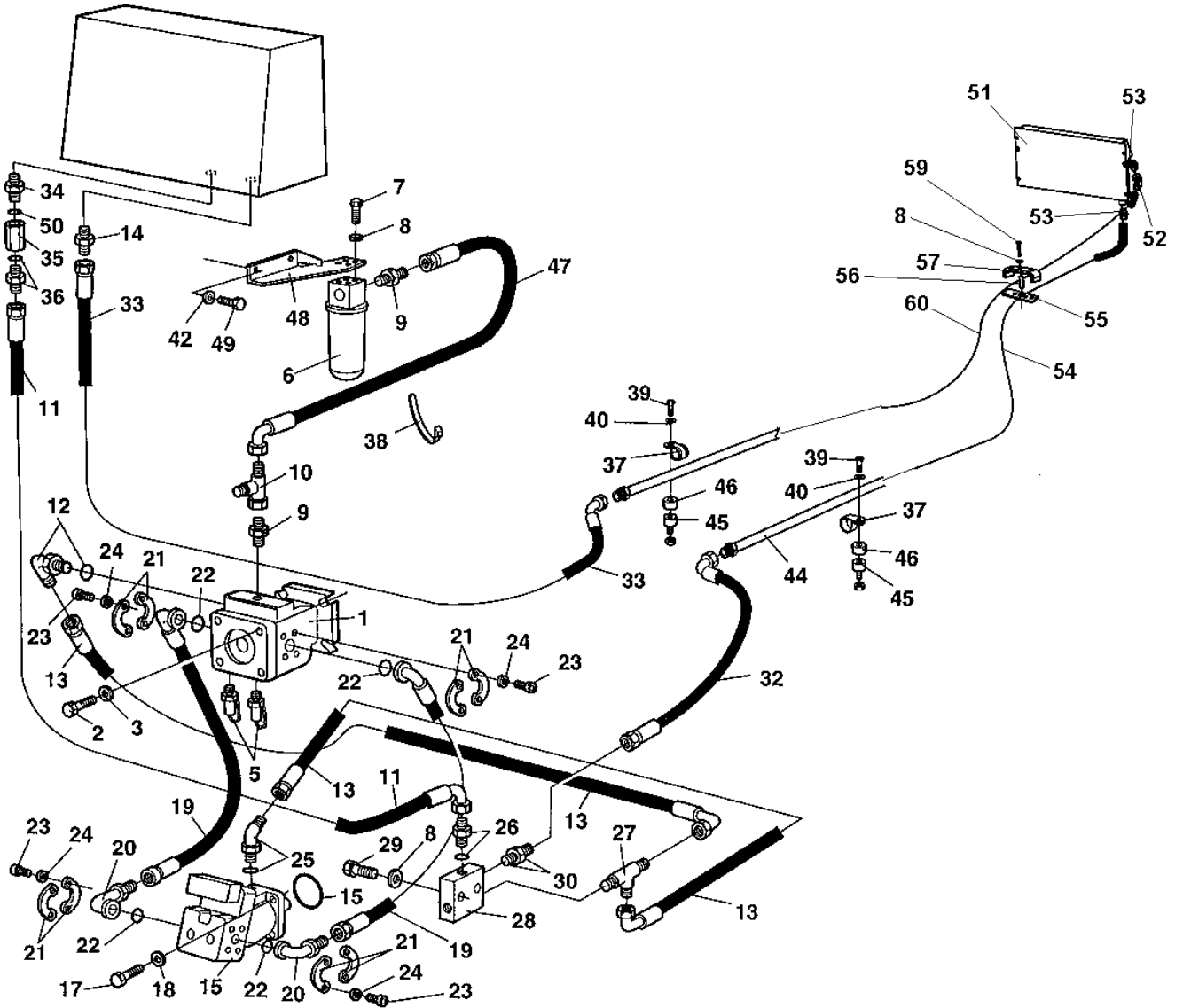
Hydraulic system Propulsion system, Front

Refer to Parts Online for the most up to date information. The printed information might be outdated.

Thu Aug 20 22:04:02 MDT 2015

Item	Part No.	Name	Qty	L	SN INFO
1	4700389564	Hydraulic motor	1		
2	4700160272	O-ring	1		
3	4700500028	Hexagon head screw M10x025H, 8.8	4		
4	4700904230	Washer 10.5x22x2 mm 300 HV	9		
5	4700923384	Split flange	4		
6	4700904005	O-ring	2		
7	4700502132	Screw	8		
8	4700904638	Washer 12x22x2	8		
9	4700334132	Elbow 45, O-ring	1		
10	4700500101	Screw M20 x 50 mm	2		
11	4700903290	Steel plain washer 21x36x6	2		
12	4700334138	Adapter	1		
13	4700483028	Hydraulic hose	1		
14	4700483029	Hydraulic hose	1		
15	4700483022	Hydraulic hose	1		
16	4700372580	Rubber part	1		
17	4700372578	Hose clamp	1		
18	4700500092	Screw	2		
19	4700349909	Hose clamp	2		
20	4700372580	Rubber part	1		
21	4700372586	Hose clamp	1		
22	-	Not used on this model			
23	-	Not used on this model			
24	4700586018	Lock nut, M10	2		
25	-	Not used on this model			
26	4700500192	Hex. screw	3		
27	4700394646	Protecting cover	1		
28	4700394650	Protecting cover	1		
29	4700287724	Edge trim	N		
30	4700902166	Edge trim	N		
31	4700372235	Hose guard	1		
32	4700903750	Elbow	2		
33	4700813499	Elbow 90, O-ring	2		

Hydraulic system Propulsion system, Rear



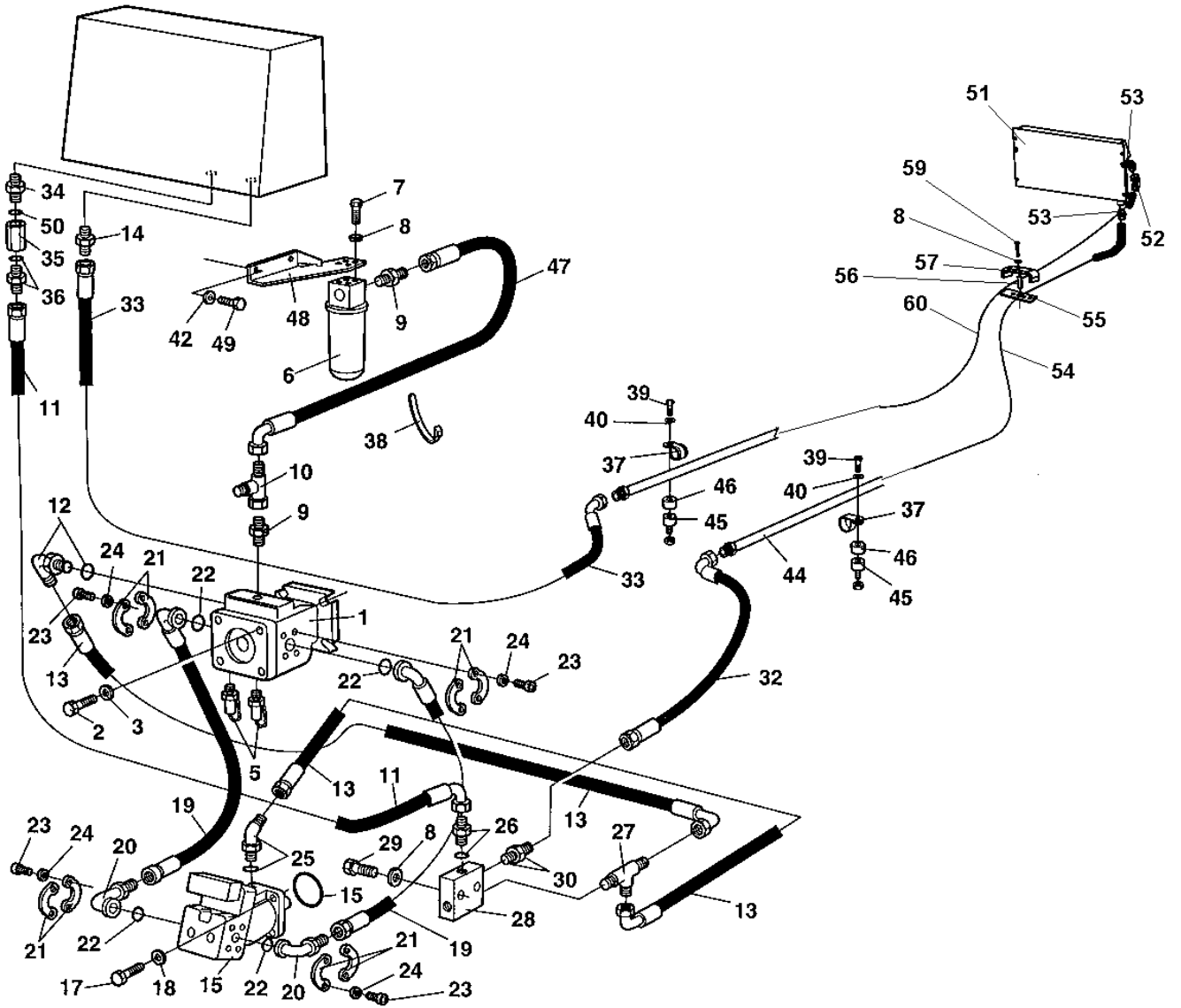
Refer to Parts Online for the most up to date information. The printed information might be outdated.

Thu Aug 20 22:04:03 MDT 2015

Item	Part No.	Name	Qty	L	SN INFO
1	4700380830	Propulsion pump	1		
2	4700500046	Hex. head screw M12x030H	4		
3	4700904213	Washer	4		
5	4700900229	Measuring fitting	2		
6	4700359550	Hydraulic oil filter, cpl	1		
6	4700359551	Filter head	1		
6	4700359551	Filter head	1		
6	4700936898	Sensor Red (RW)	1		
6	4700359552	Cleaning filter element Maximum 50 hours use	1		
6	4700936898	Sensor Red (RW)	1		
6	4700359552	Cleaning filter element Maximum 50 hours use	1		
6	4700372229	Hydraulic oil filter element	1	A	
6	4700372229	Hydraulic oil filter element	1	A	
7	4700500028	Hexagon head screw M10x025H, 8.8	4		
8	4700904230	Washer 10.5x22x2 mm 300 HV	16		
9	4700334468	Connector	2		
10	4700234243	Tee-connector JIC	1		
11	4700482182	Hydraulic hose	1	B	
12	4700813499	Elbow 90, O-ring	1		
13	4700482391	Hydraulic hose	2	C	
14	4700234909	Straight connector	1		
15	4700373361	Propulsion motor	1		
15	4700902581	O-ring	1		
15	4700902581	O-ring	1		
17	4700500263	Screw M18x60	4		
18	4700904793	Steel plain washer	4	D	
19	4700483033	Hydraulic hose	2		
20	4700900604	Adapter	2		
21	4700923384	Split flange	8		
22	4700904005	O-ring	4		
23	4700502132	Screw	16		
24	4700904638	Washer 12x22x2	16		
25	4700334132	Elbow 45, O-ring	1		
26	4700334138	Adapter	1		
27	4700234875	Tee-connector o-ring	1		
28	4700345243	Connection block	1		
29	4700500033	Screw M10-1,5x60 8,8	2		

Refer to Parts Online for the most up to date information. The printed information might be outdated.

Thu Aug 20 22:04:03 MDT 2015



Refer to Parts Online for the most up to date information. The printed information might be outdated.

Thu Aug 20 22:04:03 MDT 2015

Item	Part No.	Name	Qty	L	SN INFO
30	4700334140	Straight conector	1		
32	4700483128	Hydraulic hose	1		
33	4700482741	Hydraulic hose	1		
34	4700904282	Adapter	1		
35	4700374059	Check valve	1		
36	4700923371	Straight connector JIC	1		
37	4700921084	Pipe clamp	4		
38	4700313102	Cable ties	N		
39	4700500061	Screw	4		
40	4700904735	Steel plain washer	4		
41	4700500019	Hex. screw	4		
42	4700904229	Steel plain washer	2		
44	4700385871	Connector	2		
45	4700281783	Shock absorber	4		
46	4700357278	Spacer sleeve	4		
47	4700482010	Hydraulic hose	1		
48	4700380490	Filter bracket	1		
49	4700500021	Hex. screw	2		
50	4700162008	Seal washer	1		
51	4700387562	Hydraulic oil cooler	1		To 004612
51	4812274841	Hydraulic oil cooler	1		From 004613
52	4700234624	Elbow 45°	1		
53	4700234958	Connector	2		
54	4700483605	Hydraulic hose	1	H	
55	4700372580	Rubber part	4		
56	4700373112	Spacer	1		
57	4700372586	Hose clamp	2		
59	4700500109	Screw, M10x65 mm 8.8 A3K	1		
60	4700483622	Hydraulic hose	1	K	

Comments for Page: Propulsion system, Rear

(L)OCAL REMARKS

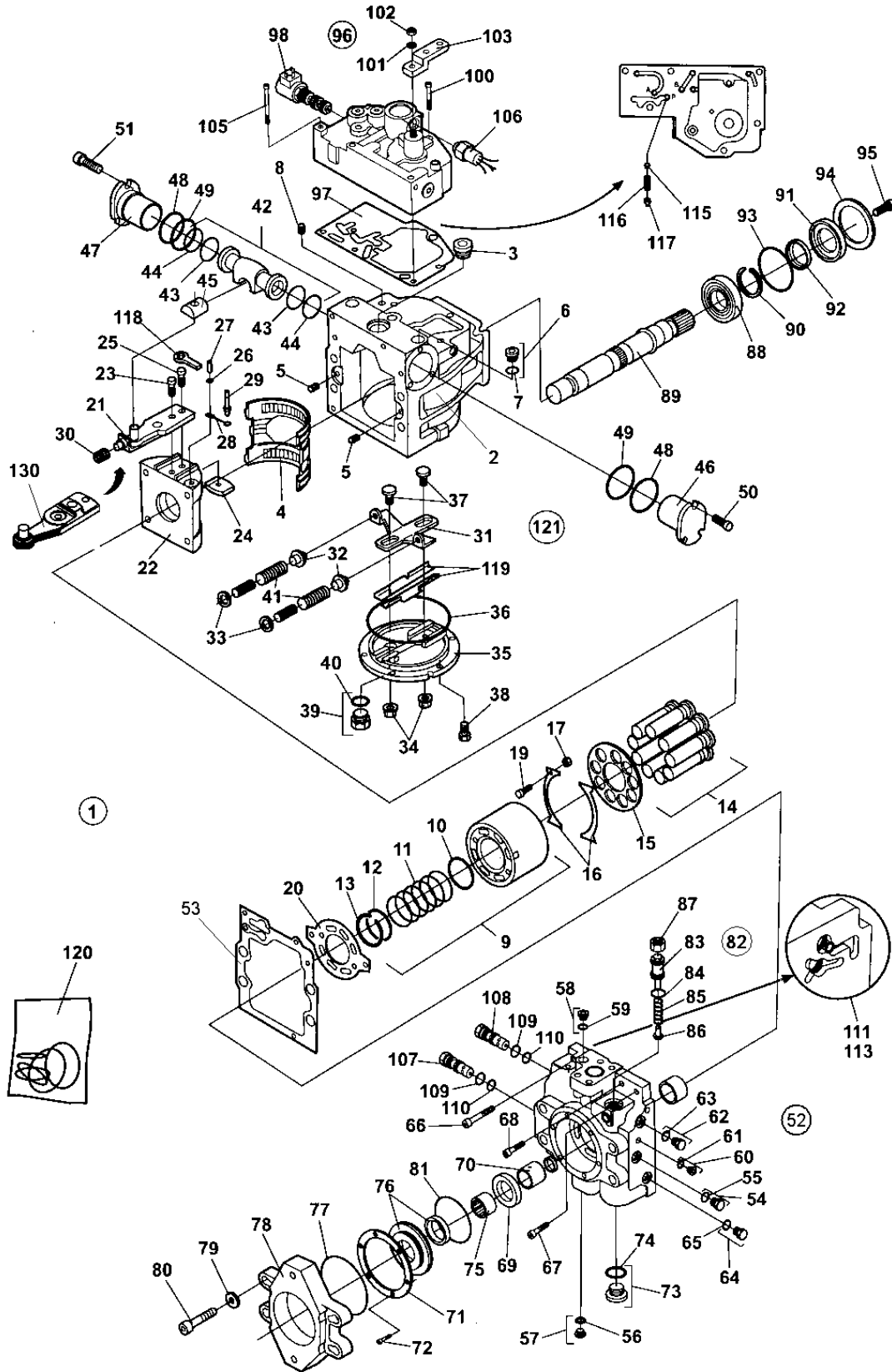
A | en_US | Spare part for ordinary service

B | en_US | L = 0,53 m

C | en_US | L = 0,71 m
D | en_US | L = 0,81 m
H | en_US | L = 1,03 m
K | en_US | L = 1,325 m

This page intentionally left blank

Hydraulic system 4700380830 Propulsion pump



Refer to Parts Online for the most up to date information. The printed information might be outdated.

Thu Aug 20 22:04:04 MDT 2015

Item	Part No.	Name	Qty	L	SN INFO
1	4700380830	Propulsion pump	1		
2	4700936546	Housing	1		
2	4812156652	Housing	1	2	
3	4700902928	Plug	1		
4	4700901452	Bearing	1		
4	-	Piston guides	1	2	
5	4700813822	Pin	2		
6	4700908432	Plug	2		
7	4700923087	O-ring	2	1	
8	4700901454	Filter element	3		
9	4700901455	Cylinder block, cpl	1		
10	-	Spacer	1		
11	-	Spring	1		
12	-	Spring retainer	1		
13	-	Ring retainer	1		
14	4700903570	Piston	9		
15	4700903571	Pressure plate	1		
16	4700901458	Retainer guide	2		
17	4700935856	Spacer	4		
19	4700909382	Screw	4		
20	4700936547	Valve plate	1		
21	4700909727	Servo arm, cpl	1		
22	-	Swashplate	1		
22	-	Swashplate	1	2	
23	4700909386	Screw	1		
23	-	Screw	1	2	
24	4700909387	Guide	1		
25	4700909388	Screw	1		
26	4700909389	Washer	1		
27	4700909390	Pin	1		
28	4700909391	Link	1		
29	4700909392	Pin	1		
30	4700909393	Spring	1		
31	4700936549	Lever	1		
32	-	Spring support	2		
33	-	Washer, 12.2x20x0.5 mm	2		
34	4700909398	Seal lock nut	2	1	

Refer to Parts Online for the most up to date information. The printed information might be outdated.

Thu Aug 20 22:04:04 MDT 2015

Item	Part No.	Name	Qty	L	SN INFO
35	-	Cover	1		
35	-	Cover	1	2	
36	4700936551	O-ring	1	1	
37	-	Guide post	2		
38	4700936553	Screw	6		
39	4700902928	Plug	1		
40	4700901453	O-ring	1	1	
41	4700908352	Spring	2		
42	4700936582	Piston, cpl	1		
43	-	O-ring	2	1	
44	-	Seal ring	2	1	
45	-	Guide	1		
46	4700903580	Servo	1		
47	4700903580	Servo	1		
48	4700936557	O-ring	2	1	
49	4700936558	O-ring	2	1	
50	4700936559	Screw	3		
51	4700936559	Screw	3		
52	4700936560	End cap, cpl	1		
53	4700936561	Gasket	1	1	
54	4700358388	Plug	1		
55	4700923087	O-ring	1	1	
56	4700908432	Plug	1		
57	4700923087	O-ring	1	1	
58	4700908432	Plug	1		
59	4700923087	O-ring	1	1	
60	4700908432	Plug	1		
61	4700923087	O-ring	1	1	
62	4700358388	Plug	1		
63	4700923087	O-ring	1	1	
64	4700358388	Plug	1		
65	4700923087	O-ring	1	1	
66	4700936562	Screw	1		
67	4700936563	Screw	1		
68	4700936564	Screw	1		
69	4700950283	Spacer	1		
70	4700950284	Spacer	1		

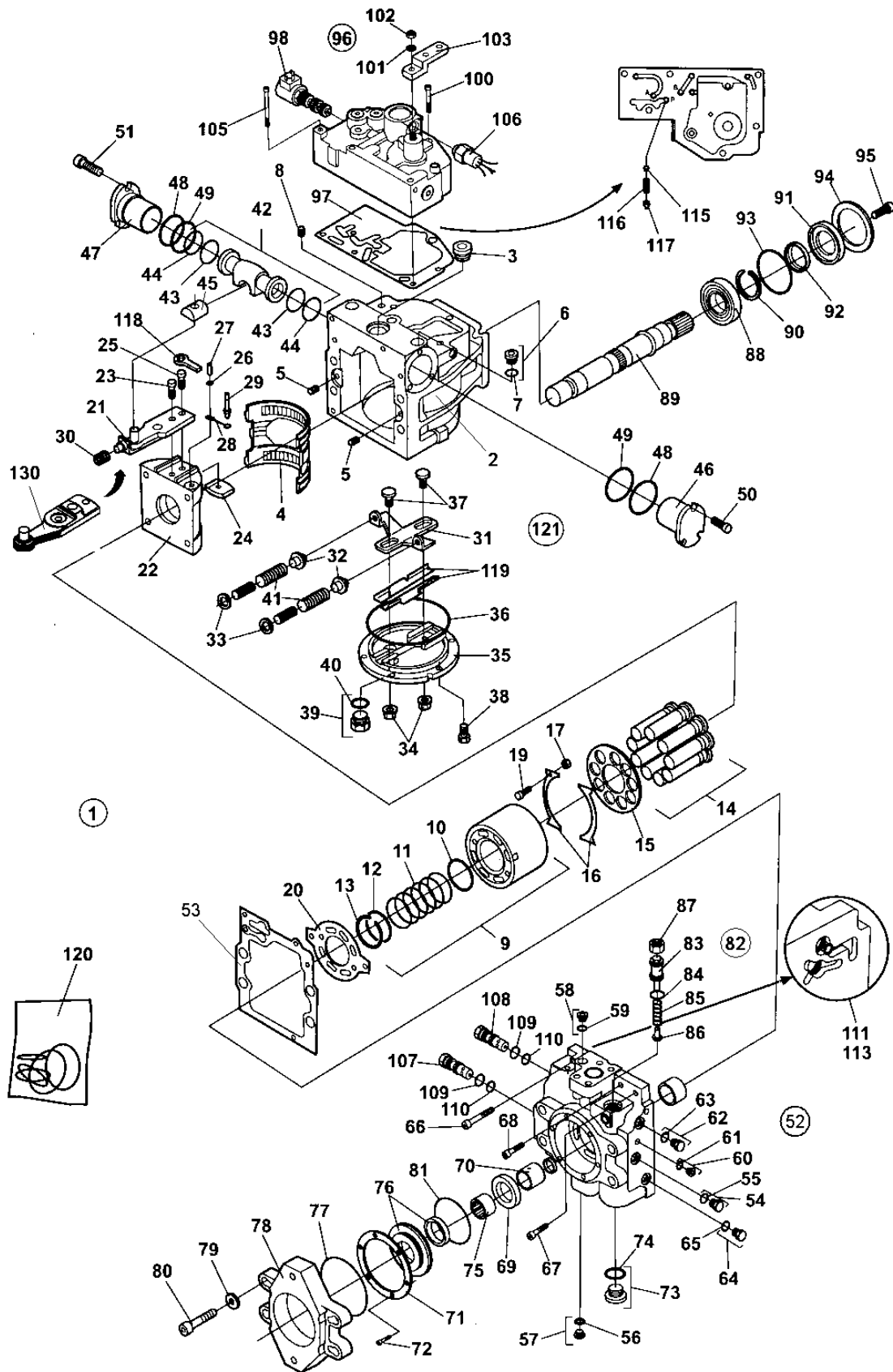
Refer to Parts Online for the most up to date information. The printed information might be outdated.

Thu Aug 20 22:04:04 MDT 2015

Item	Part No.	Name	Qty	L	SN INFO
71	4700935857	Retaining plate	1		
72	4700936566	Screw	6		
73	4700936567	Plug, cpl	1		
74	4700936568	O-ring	1	1	
75	4812156072	Coupling sleeve	1		
76	-	Not used on this model	1		
77	4700909399	O-ring	1	1	
78	4700936570	Adapter	1		
79	4700936571	Washer	4		
80	-	null			
81	4700937150	O-ring	1		
82	4700936583	Pressure relief valve, cpl	1		
83	-	Screw	1		
84	-	O-ring	1	1	
85	-	Spring	1		
86	-	Valve cone	1		
87	-	Nut	1		
88	4700901465	Bearing	1		
89	4700901466	Shaft	1		
90	4700901467	Ring	1		
91	-	Pressure plate	1		
92	-	Seal	1	1	
92	-	Seal	1	2	
93	-	O-ring	1	1	
94	-	Retaining plate	1		
95	-	Screw	3		
96	4700938170	Control valve, cpl	1		
97	4700939489	Control valve gasket	1	1	
98	4700938252	Solenoid valve	1		
100	-	Screw	1		
101	4700909428	Washer	1		
102	4700909429	O-ring	1		
103	4700909432	Control lever	1		
105	4700937857	Screw	5		
106	4700938253	Neutral start switch	1		
107	4700212339	Valve	1		
108	4700212339	Valve	1		

Refer to Parts Online for the most up to date information. The printed information might be outdated.

Thu Aug 20 22:04:04 MDT 2015



Refer to Parts Online for the most up to date information. The printed information might be outdated.

Thu Aug 20 22:04:04 MDT 2015

Item	Part No.	Name	Qty	L	SN INFO
109	-	O-ring	2	1	
110	-	O-ring	2	1	
111	4700901475	Valve	2		
113	4700901476	Plug	2		
115	4700909435	Orifice	1		
116	4700909436	Spring	1		
117	4700908448	Spring retainer	1		
118	-	Link	1		
119	4700936554	Guide assy, 1pair	1		
120	4700901328	Seal kit	1		
121	4700936548	Cover assembly	1	3	
130	-	Servo arm	1		

Comments for Page: 4700380830 Propulsion pump

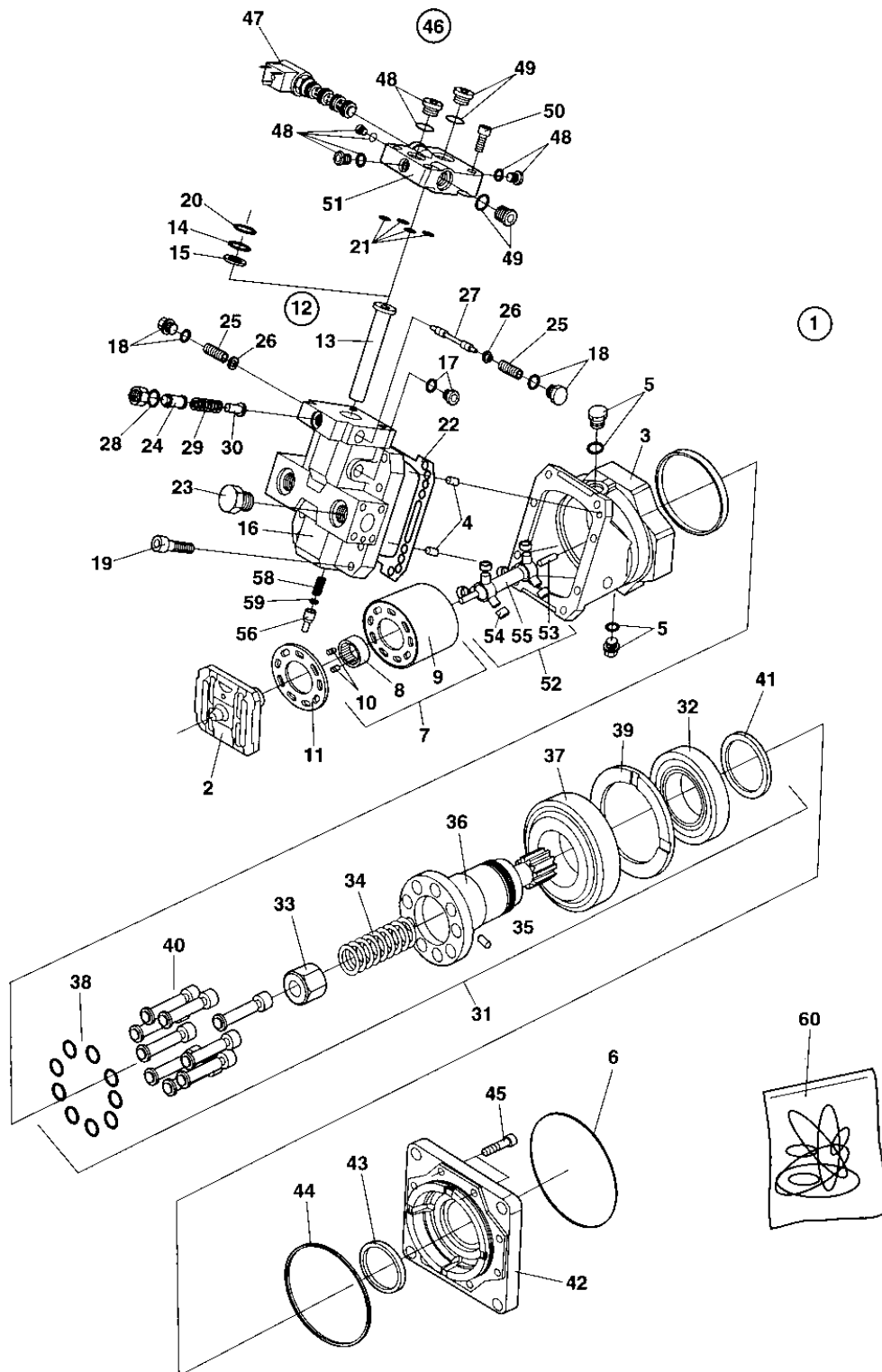
(L)OCAL REMARKS

1 | en_US | Included in item 120, Seal kit

2 | en_US | Valid with item 130

3 | en_US | Includes items 35, 37 and 119

Hydraulic system 4700373361 Propulsion motor



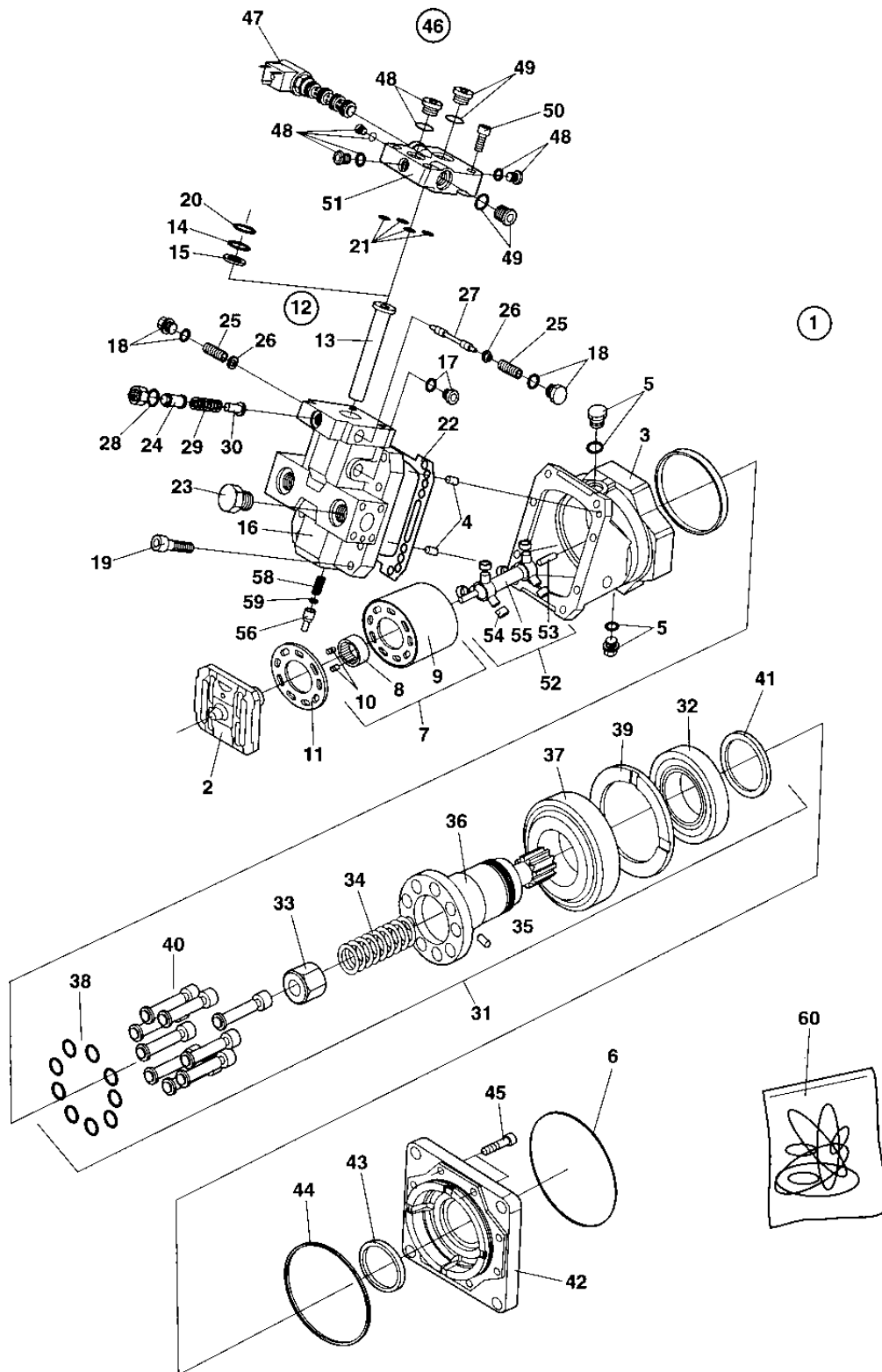
Refer to Parts Online for the most up to date information. The printed information might be outdated.

Thu Aug 20 22:04:05 MDT 2015

Item	Part No.	Name	Qty	L	SN INFO
1	-	Hydraulic motor, Cpl	1		
2	4700935521	Valve segment	1		
3	4700908422	Housing	1		
4	4700813822	Pin	2		
5	4700902928	Plug	2		
5	4700901453	O-ring	2	1	
6	4700902581	O-ring	1	1	
7	4700902929	Cylinder block	1		
8	-	Bush	1		
9	-	Cylinder block	1		
10	-	Pin	2		
11	4700902930	Bearing plate	1		
12	4700935527	Piston assembly	1		
13	4700935526	Piston	1		
14	4700935525	O-ring	1	1	
15	4700935524	Seal plug	1	1	
16	4700935530	End cap	1		
17	4700908432	Plug	1		
18	4700935741	Plug, cpl	2		
19	4700902944	Screw	8		
20	4700935531	O-ring	1	1	
21	4700908443	Rect. seal	5	1	
22	4700908427	Gasket	1	1	
23	4700902928	Plug	2		
23	4700901453	O-ring	2	1	
24	-	Adapter	1		
25	4700935749	Spring guide assy	2		
26	4700935750	Spring retainer	2		
27	4700935533	Spool	1		
28	4700813618	O-ring	1	1	
29	-	Spring	1		
30	-	Valve cone	1		
31	4700902960	Shaft, cpl	1		
32	-	Roller bearing	1		
33	-	Spring guide	1		
34	-	Spring	1		
35	-	Pin	1		

Refer to Parts Online for the most up to date information. The printed information might be outdated.

Thu Aug 20 22:04:05 MDT 2015



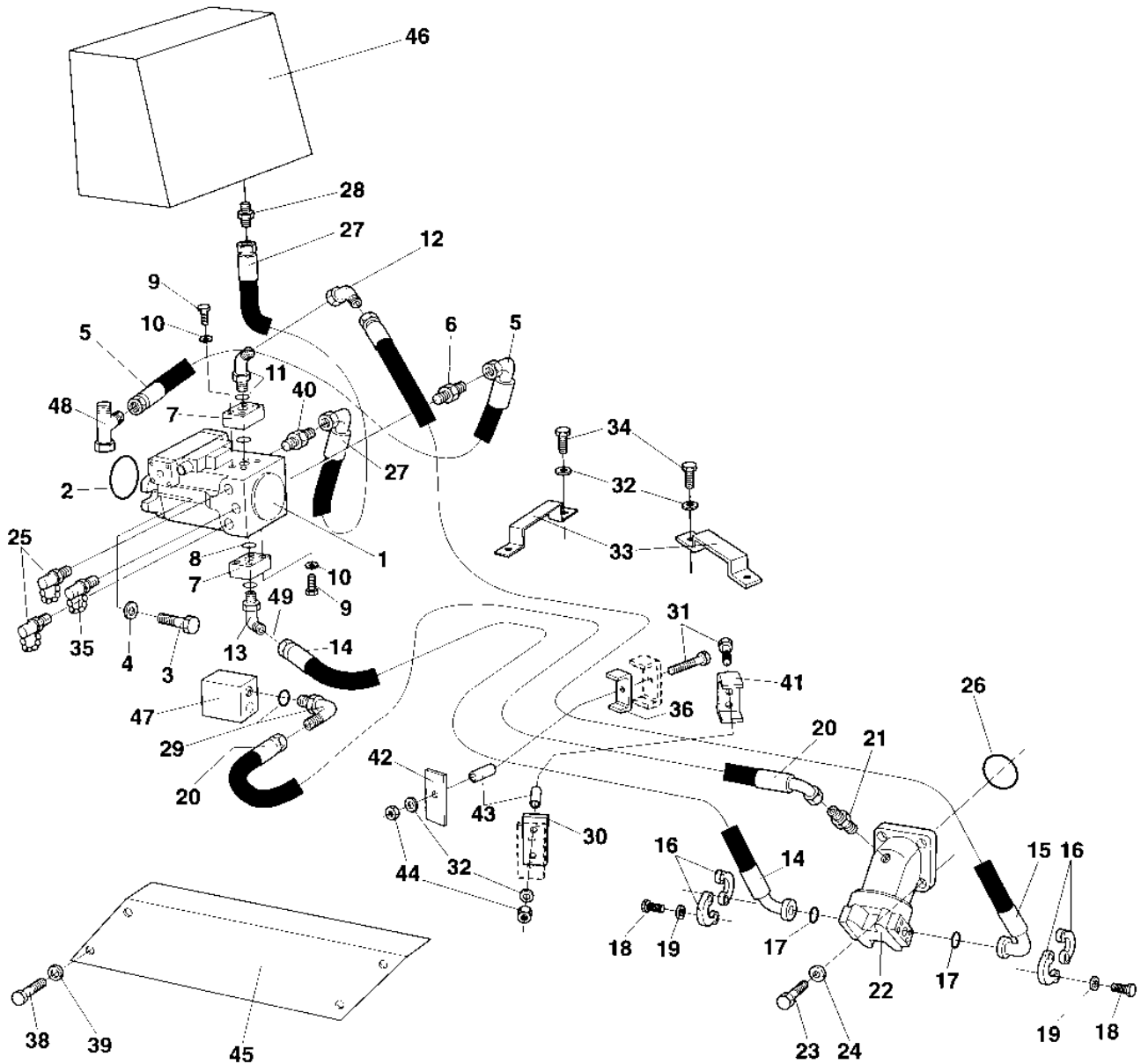
Refer to Parts Online for the most up to date information. The printed information might be outdated.
Thu Aug 20 22:04:05 MDT 2015

Item	Part No.	Name	Qty	L	SN INFO
36	-	Shaft	1		
37	-	Roller bearing	1		
38	-	Piston ring	9		
39	-	Spacer	1		
40	-	Piston	9		
41	-	Nut	1		
42	4700902961	Flange	1		
43	4700935536	Shaft seal 55x75x12	1		
43	4700945757	Shaft seal	1	1	
44	4700935664	O-ring	1	1	
45	4700902962	Screw	8		
46	4700935543	Electric hydraulic control	1		
47	4700908435	Solenoid valve assy	1		
47	4700909259	Coil	1		
48	4700908426	Plug, cpl	4		
49	4700908432	Plug	2		
50	4700935544	Screw	4		
51	4700935545	Valve housing	1		
52	4700902984	Shaft, cpl	1		
53	-	Pin	2		
54	-	Roller	6		
55	-	Shaft	1		
56	4700902996	Plastic cap, green	1		
57	4700936593	Orifice	2		
58	4700937363	Shaft	1		
59	4700909525	Seal nut	1	1	
60	4700935520	Seal kit	1		

Comments for Page: 4700373361 Propulsion motor

(L)OCAL REMARKS

1 | en_US | Included in seal kit item 60

Hydraulic system Vibration system

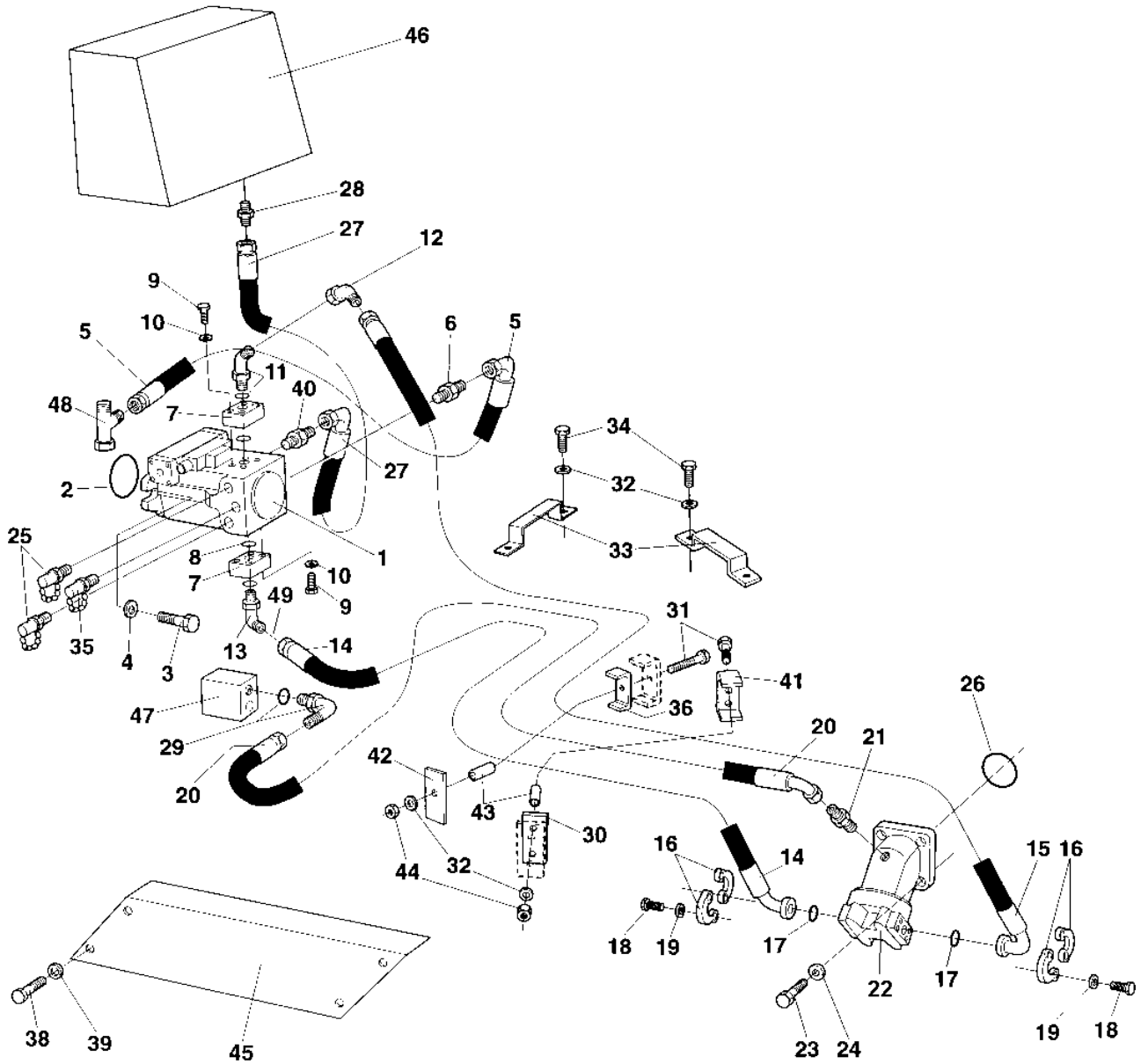
Refer to Parts Online for the most up to date information. The printed information might be outdated.

Thu Aug 20 22:04:06 MDT 2015

Item	Part No.	Name	Qty	L	SN INFO
1	4700393695	Vibration pump	1		To ECN 11301
1-B	4812115828	Vibration pump	1		From ECN 11301
01	4812274596	Seal kit	1		
02	4812274597	Magnet	2		
2	4700160231	O-ring	1		
3	4700502078	Screw	2		
4	4700904232	Steel plain washer	2		
5	4700483023	Hydraulic hose	1		
6	4700234382	Adapter	1		
7	4700345234	Flange coupling	2		
8	4700904773	O-ring	2		
9	4700508080	Screw	8		
10	4700604007	Spring washer	8		
11	4700791212	Adapter	1		
12	4700904495	Elbow 90°	1		
13	4700792299	Adapter	1		
14	4700484044	Hydraulic hose	1		
15	4700484060	Hydraulic hose	1		
16	4700923384	Split flange	4		
17	4700904005	O-ring	2		
18	4700502132	Screw	8		
19	4700904638	Washer 12x22x2	8		
20	4700483031	Hydraulic hose	1		
21	4700334121	Straight connector	1		
22	4700380146	Hydraulic motor, vibration	1		
23	4700500194	Hex. screw	4		
24	4700904231	Steel plain washer, 13x24x2 mm 300 HV	4		
25	4700901157	Measuring nipple	2		
26	4700160132	O-ring 70	1		
27	4700483024	Hydraulic hose	1		
28	4700334205	Straight connector	1		
29	4700334419	Elbow 90°, O-ring	1		
30	4700372580	Rubber part	1		
31	4700500192	Hex. screw	3		
32	4700904230	Washer 10.5x22x2 mm 300 HV	7		
33	4700372018	Hose clamp	2		
34	4700500028	Hexagon head screw M10x025H, 8.8	4		

Refer to Parts Online for the most up to date information. The printed information might be outdated.

Thu Aug 20 22:04:06 MDT 2015



Refer to Parts Online for the most up to date information. The printed information might be outdated.

Thu Aug 20 22:04:06 MDT 2015

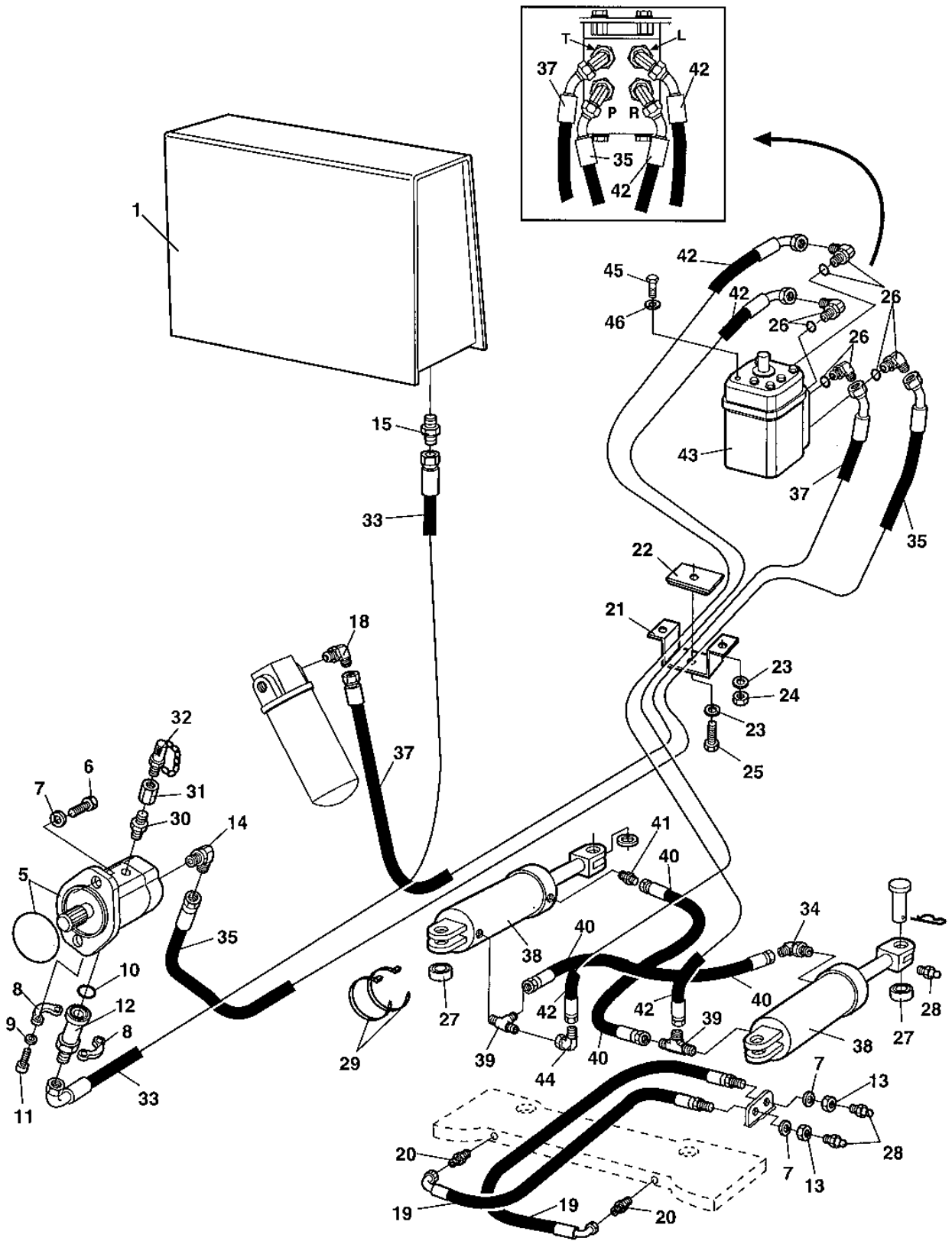
Item	Part No.	Name	Qty	L	SN INFO
35	4700902115	Measuring fitting	1		
36	4700372581	Rubber part	1		
38	-	Not used on this model	0		
39	-	Not used on this model	0		
40	4700901155	Connector	1		
41	4700374217	Hose clamp	1		
42	4700372578	Hose clamp	1		
43	4700373112	Spacer	3		
44	4700506018	Nut	3		
45	-	Not used on this model	0		
46	-	Hydraulic oil tank			
47	-	Connection block	1	A	
48	-	Adapter	1	A	
49	4700792654	Elbow 45°	1		

Comments for Page: Vibration system

(L)OCAL REMARKS

A | en_US | See section: Propulsion system Rear.

Hydraulic system Steering system



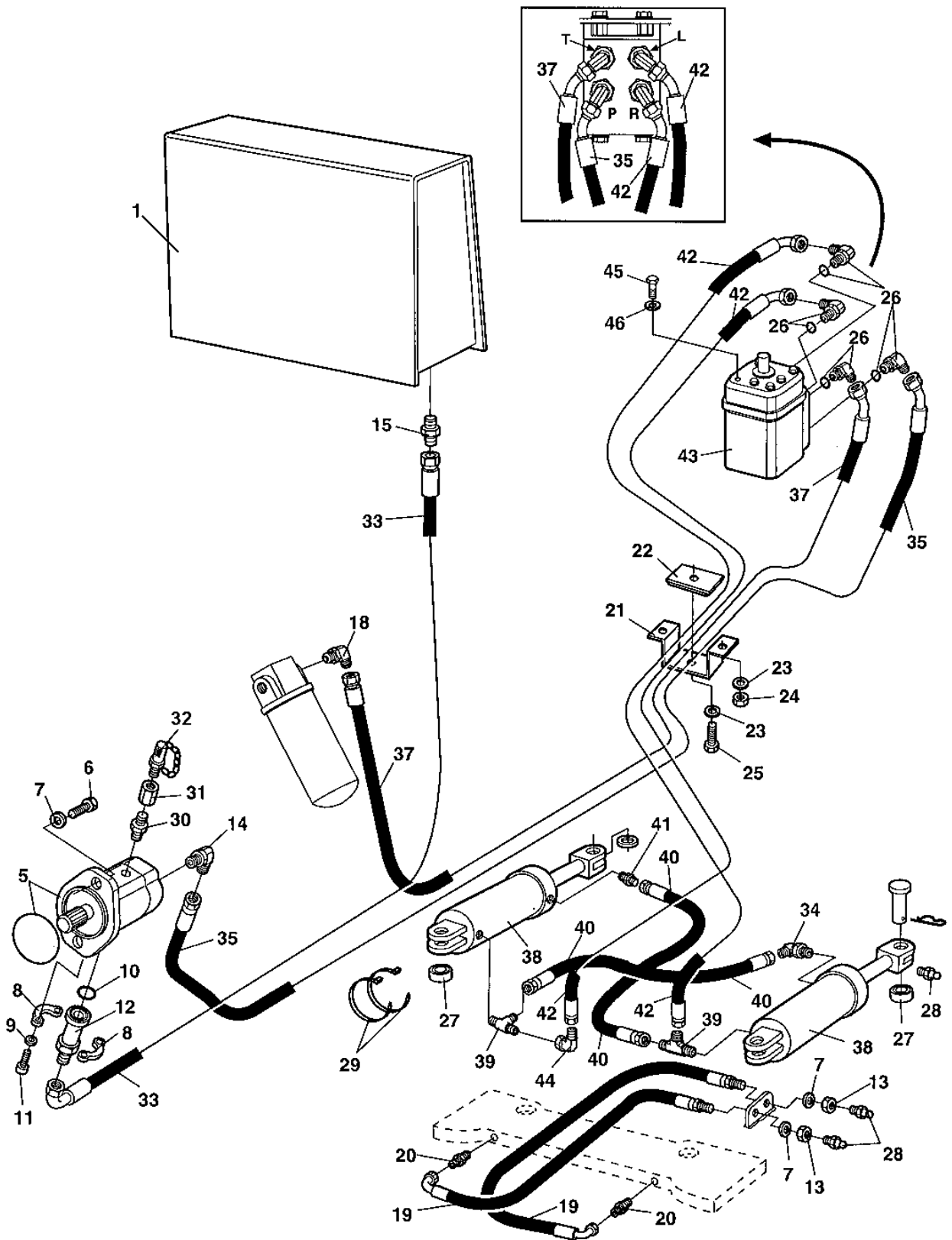
Refer to Parts Online for the most up to date information. The printed information might be outdated.

Thu Aug 20 22:04:07 MDT 2015

Item	Part No.	Name	Qty	L	SN INFO
1	-	Hydraulic oil tank			
5	4700394902	Hydraulic pump	1		
5	4700937055	O-ring	1		
6	4700500133	Screw	2		
7	4700904231	Steel plain washer, 13x24x2 mm 300 HV	4		
8	4700232097	Flange half	2		
9	4700904637	Washer	4		
10	4700904005	O-ring	1		
11	4700508029	Cylinder screw	4		
12	4700372625	Connector	1		
13	4700903831	Hexagon nut	2		
14	4700334558	Elbow 90G with O-ring	1		
15	4700234626	Adapter	1		
17	4700570006	Hex. nut	4		
18	4700929123	Elbow 90, O-ring	1		
19	4700903812	Hydraulic hose	2		
20	4700371669	Straight connector	2		
21	4700372513	Hose clamp	1		
22	4700372514	Hose clamp	1		
23	4700904229	Steel plain washer	3		
24	4700586003	Nut, M8	2		
25	4700500023	Screw, M8 x 40 mm 8.8 A2K	1		
26	4700813444	Connector elbow 90 JIC	4		
27	4700813316	SELF-ALIGNING THRUST BUSHING	4		
28	4700926214	Grease fitting	4		
29	4700313102	Cable ties	N		
30	4700334199	Straight o-ring connector	1		
31	4700338304	Adapter	1		
32	4700910161	Measuring nipple	1		
33	4700483049	Hydraulic hose	1		
34	4700813500	ELBOW 45 O-RING	1		
35	4700483697	Hydraulic hose	1		
37	4700483498	Hydraulic hose	1		
38	4700392027	Steering cylinder	2		
39	4700234218	Tee-connector JIC	2		
40	4700483109	Hydraulic hose	2		
41	4700334121	Straight connector	1		

Refer to Parts Online for the most up to date information. The printed information might be outdated.

Thu Aug 20 22:04:07 MDT 2015

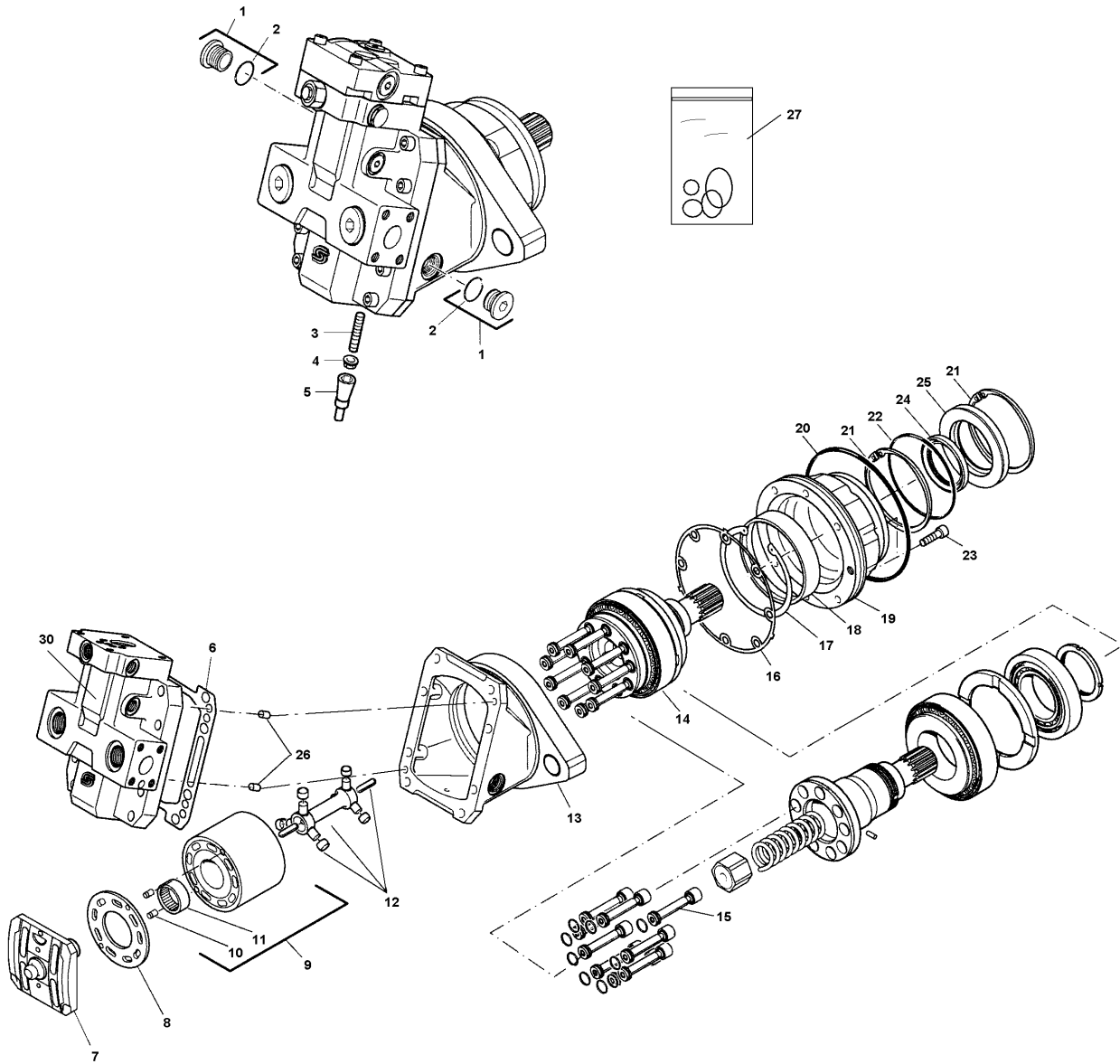


Refer to Parts Online for the most up to date information. The printed information might be outdated.

Thu Aug 20 22:04:07 MDT 2015

Item	Part No.	Name	Qty	L	SN INFO
42	4700483497	Hydraulic hose	2		
43	4700376000	Steering valve	1		
44	4700234662	Connector elbow 45 JIC	1		
45	4700502034	Screw UNC 3/8 - 16	4		
46	4700600008	Washer	4		

4700389564 Hydraulic motor 4700389564 Hydraulic motor

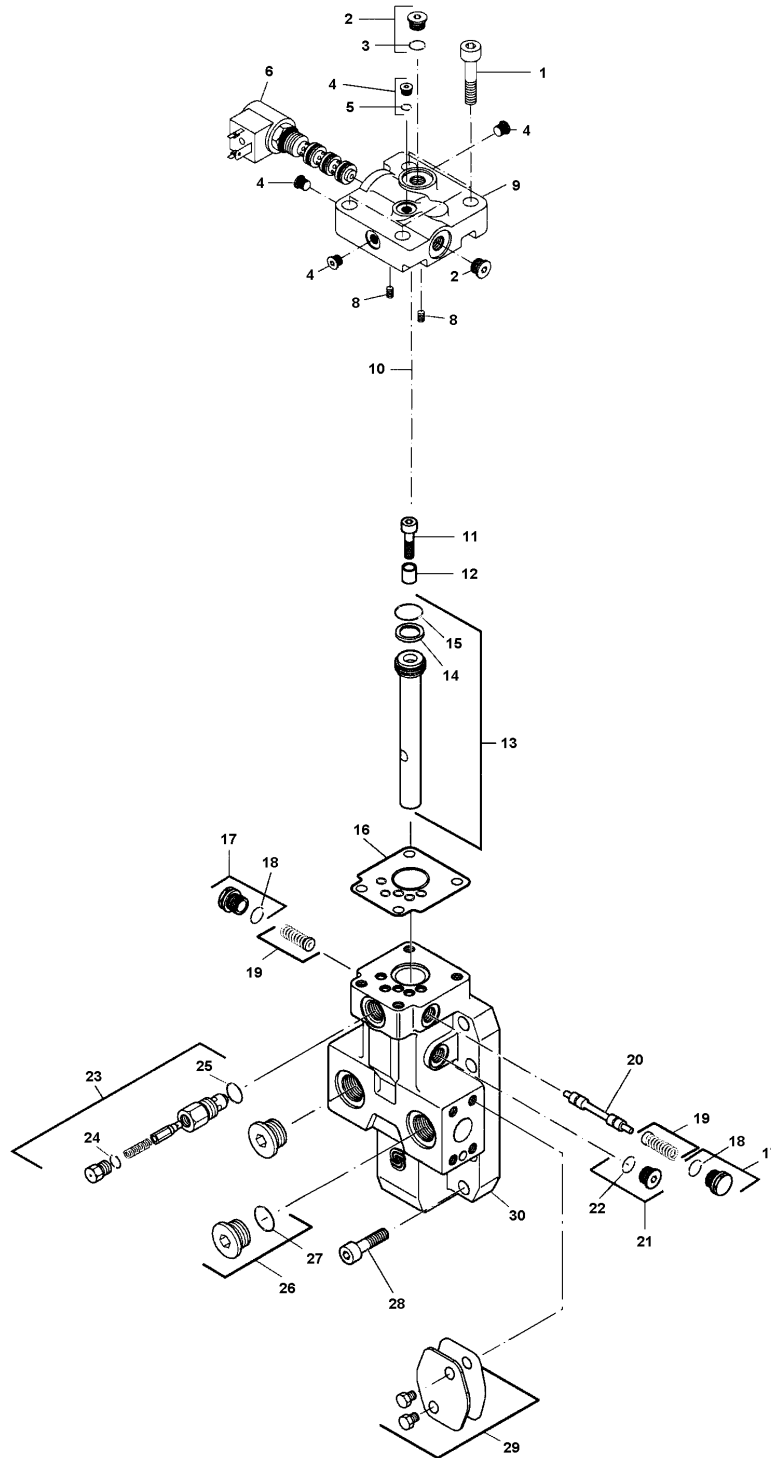


Refer to Parts Online for the most up to date information. The printed information might be outdated.

Thu Aug 20 22:04:07 MDT 2015

Item	Part No.	Name	Qty	L	SN INFO
1	-	Plug assembly	2		
2	4700901453	O-ring	2		
3	-	Set screw	1		
4	-	Seal lock nut	1		
5	-	Plastic cap	1		
6	4812157653	Gasket	1		
7	-	Valve segment	1		
8	-	Bearing plate	1		
9	-	Cylinder block assembly	1		
10	-	Pin	2		
11	-	Needle roller bearing	1		
12	-	Synchronous joint assy	1		
13	-	Housing	1		
14	-	Shaft	1		
15	-	Piston assembly	9		
16	4700935541	Gasket	1		
17	-	Retaining ring	1		
18	-	Spacer ring	1		
19	-	Bearing house	1		
20	4700935523	O-ring	1		
21	-	Retaining ring	2		
22	4700935537	O-ring	1		
23	-	Screw	8		
24	4700945757	Shaft seal	1		
25	-	Seal carrier	1		
26	-	Pin	2		
27	4700935520	Seal kit	1		
30	-	End cap	1		

4700389564 Hydraulic motor End cap

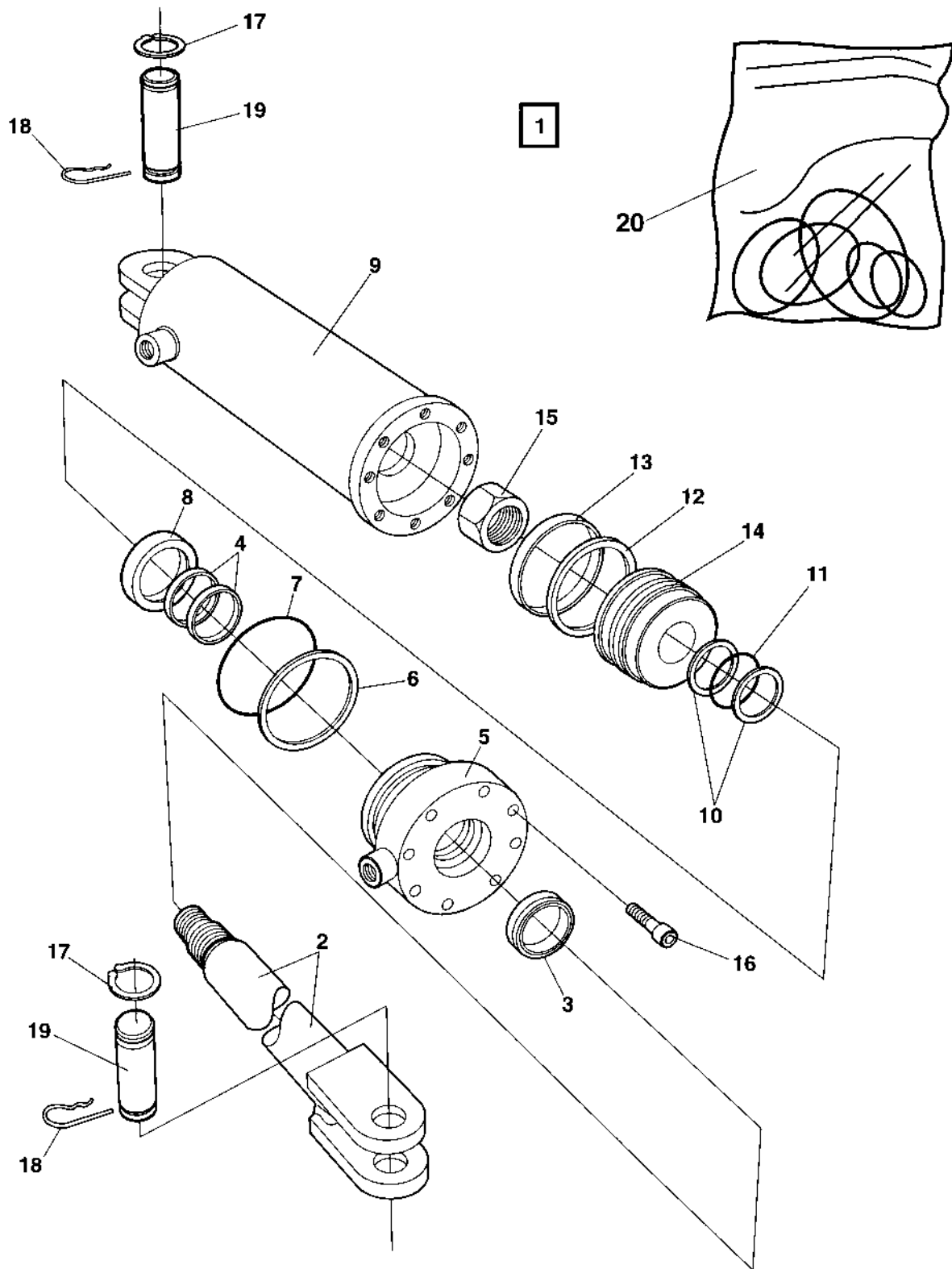


Refer to Parts Online for the most up to date information. The printed information might be outdated.

Thu Aug 20 22:04:07 MDT 2015

Item	Part No.	Name	Qty	L	SN INFO
0	-	End cap, cpl	1		
1	-	Screw	4		
2	-	Plug	2		
3	4700923087	O-ring	2		
4	-	Plug	4		
5	4700908440	O-ring	4		
6	4700908435	Solenoid valve assy	1		
6	4700909259	Coil	1		
8	-	Orifice plug	2		
9	-	Housing	1		
10	4700935543	Electric hydraulic control	1		
11	-	Screw	1		
12	-	Spacer sleeve	1		
13	4700935527	Piston assembly	1		
14	4700935524	Seal plug	1		
15	4700935525	O-ring	1		
16	4812155780	Seal carrier	1		
17	-	Plug	2		
18	4700923087	O-ring	2		
19	-	Guide spring	2		
20	-	Shuttle spool	1		
21	-	Plug	1		
22	4700923087	O-ring	1		
23	-	Valve assembly	1		
24	4700923087	O-ring	1		
25	4812157578	O-ring	1		
26	-	Plug	2		
27	4700901453	O-ring	2		
28	-	Screw	8		
29	-	Cover	2		
30	-	End cap	1		

Hydraulic system 4700392027 Steering cylinder



Refer to Parts Online for the most up to date information. The printed information might be outdated.

Thu Aug 20 22:04:07 MDT 2015

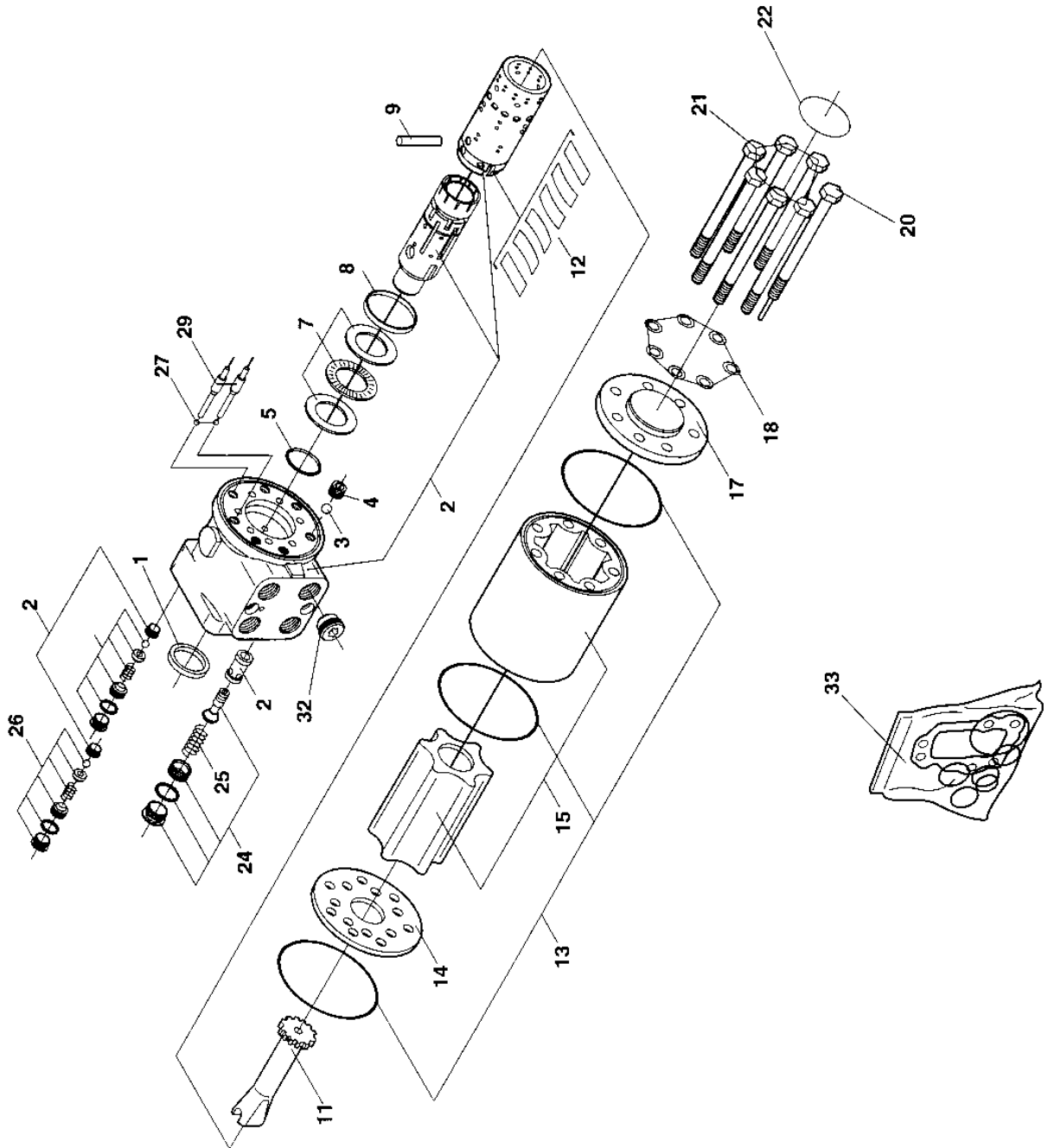
Item	Part No.	Name	Qty	L	SN INFO
1	4700392027	Steering cylinder	1		
2	4700392110	Piston rod	1		
3	-	Shear wiper	1	A	
4	-	Guide Ring	2	A	
5	-	Guide	1		
6	-	Back-up ring	1	A	
7	-	O-ring	1	A	
8	-	Piston rod seal	1	A	
9	-	Cylinder tube	1		
10	-	Back-up ring	2	A	
11	-	O-ring	1	A	
12	-	Piston seal	1	A	
13	-	Guide Ring	1	A	
14	-	Piston block	1		
15	4700392109	Lock nut	1	A	
16	4700904385	Screw	8		
17	4700392107	Snap ring	2		
18	4700635061	Hair pin	2		
19	4700392108	Shaft	2		
20	4700392106	Seal kit	1		

Comments for Page: 4700392027 Steering cylinder

(L)OCAL REMARKS

A | en_US | Includes in seal kit item 20.

Hydraulic system 4700376000 Steering valve



Refer to Parts Online for the most up to date information. The printed information might be outdated.

Thu Aug 20 22:04:08 MDT 2015

Item	Part No.	Name	Qty	L	SN INFO
1	4700938062	Dust seal ring	1	A	
2	-	Housing, spool and sleeve	1	1	
3	-	Ball	1	1	
4	-	Threaded bushing	1	1	
5	4700908780	O-ring	1	A	
7	-	Piston guides	1	1	
8	-	Ring	1	1	
9	-	Cross pin	1	1	
11	-	Cardan shaft	1	1	
12	-	Set of springs	1	1	
13	4700938068	O-ring	3	A	
14	-	Valve plate	1	1	
15	-	Gear wheel set	1	1	
17	-	End cover	1	1	
18	4700938070	Washer	7	A	
20	-	Screw with pin	1	1	
21	-	Spring washer	6	1	
22	-	Plate	1	1	
24	-	Pressure relief valve	1	1	
25	-	Spring	1	1	
26	-	Shock valve	2	1	
27	-	Ball	2	1	
29	-	Rolled pin	2	1	
32	-	Check valve	1	1	
33	4700935429	Seal kit	1		

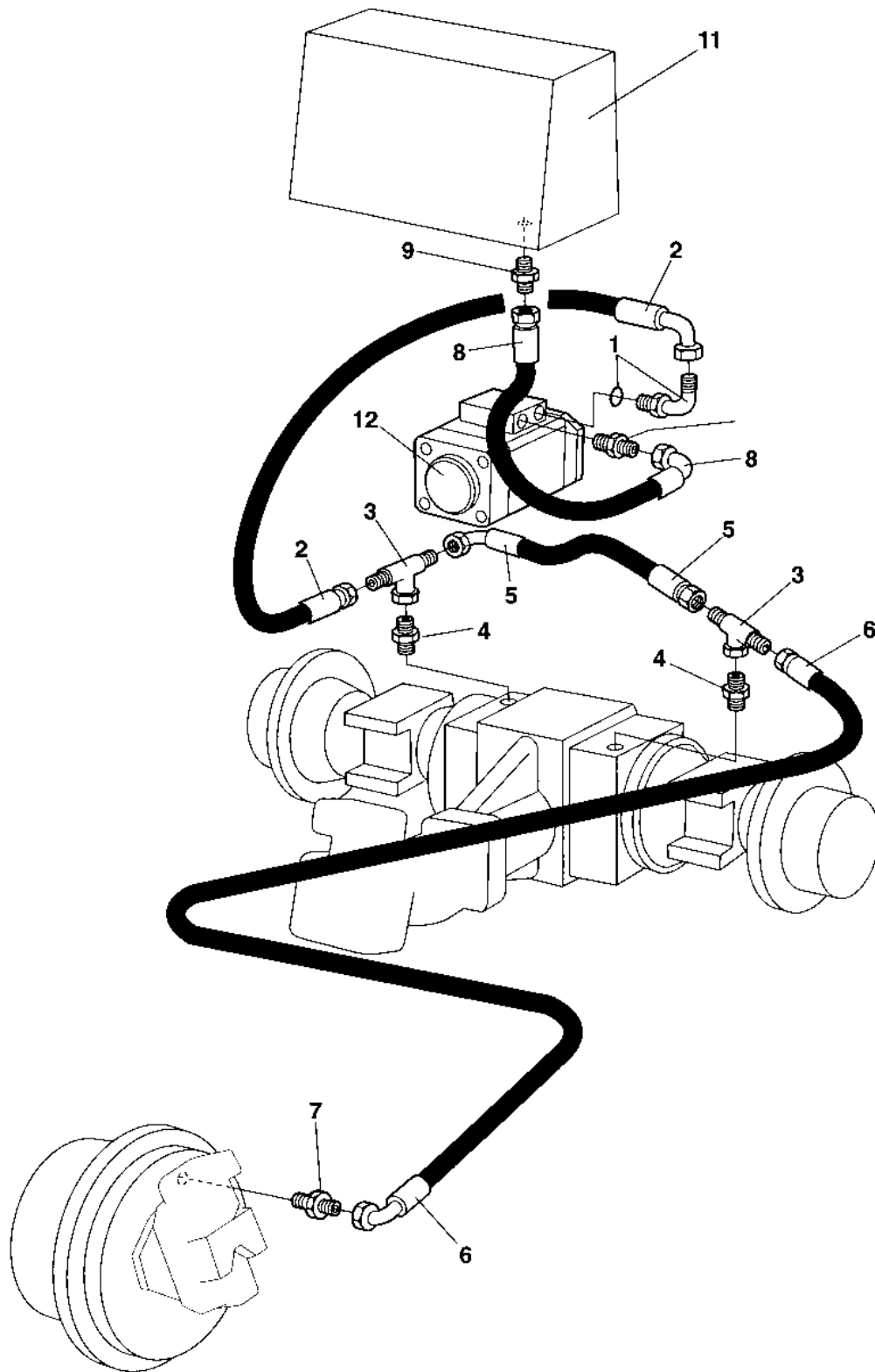
Comments for Page: 4700376000 Steering valve

(L)OCAL REMARKS

A | en_US | Included in seal kit, item 33

1 | en_US | Not available as single Spare Part.

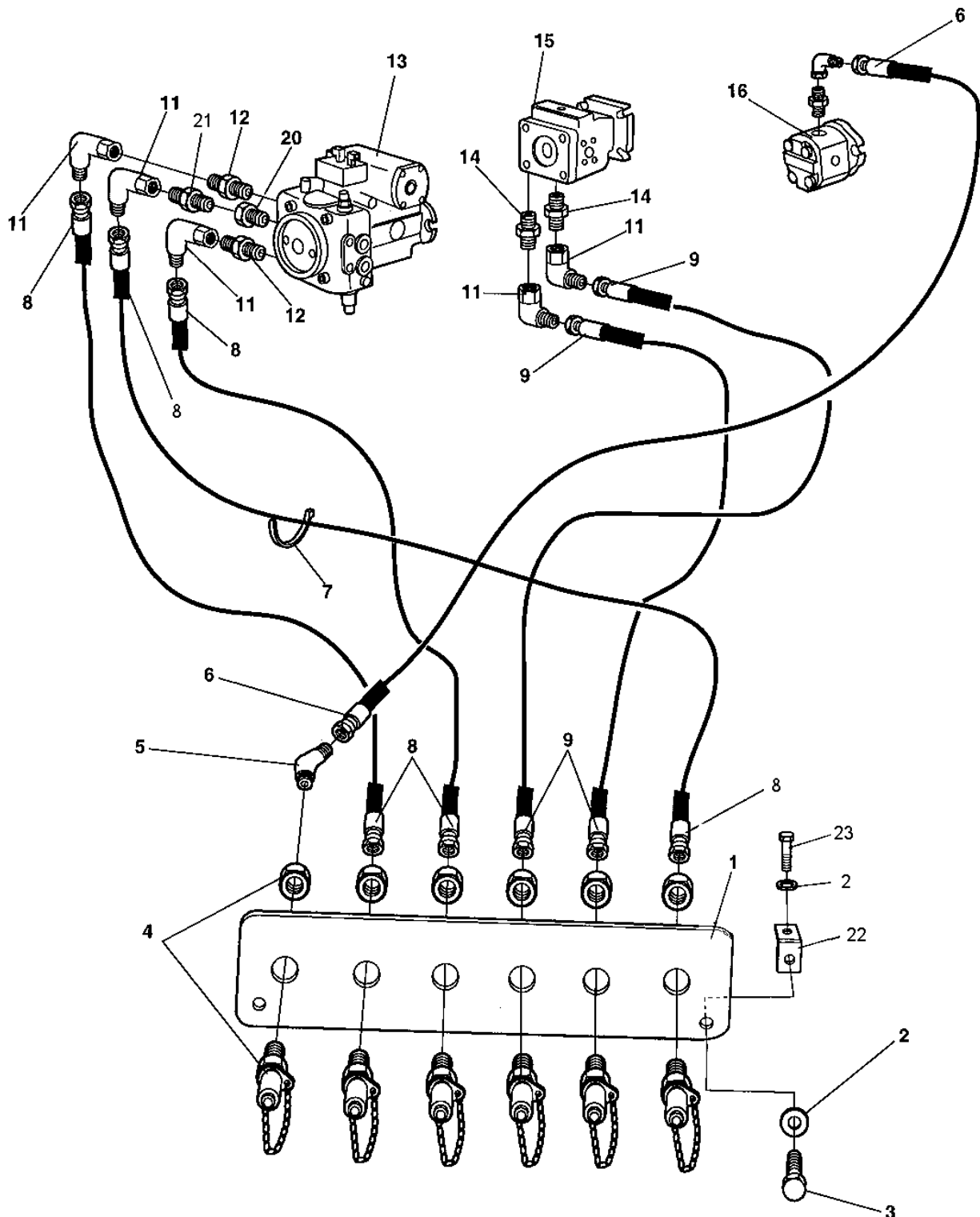
Hydraulic system Brake system



Refer to Parts Online for the most up to date information. The printed information might be outdated.

Thu Aug 20 22:04:08 MDT 2015

Item	Part No.	Name	Qty	L	SN INFO
1	4700334389	Connector	1		
2	4700482056	Hydraulic hose	1		
3	4700234888	Tee-connector	2		
4	4700900552	Adapter	2		
5	4700482399	Hydraulic hose	1		
6	4700483040	Hydraulic hose	1		
7	4700925723	Connector	1		
8	4700482516	Hydraulic hose	1		
9	4700334205	Straight connector	1		
10	4700234843	Adapter	1		
11	-	Hydraulic oil tank	1		
12	-	Propulsion pump	1		

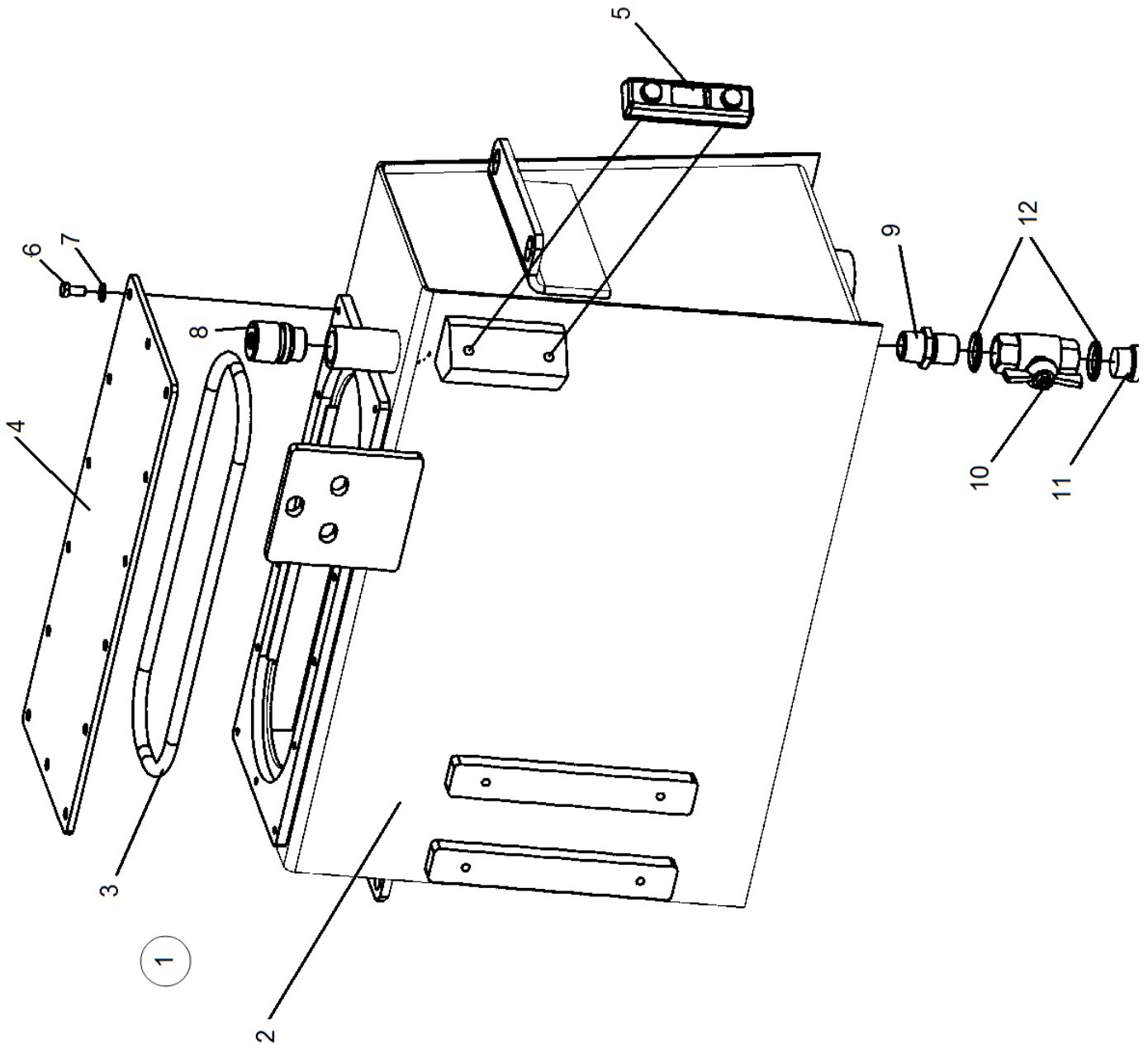
Hydraulic system Central test panel hydraulic Option

Refer to Parts Online for the most up to date information. The printed information might be outdated.

Thu Aug 20 22:04:08 MDT 2015

Item	Part No.	Name	Qty	L	SN INFO
1	4700374028	Test panel	1		
2	4700904229	Steel plain washer	4		
3	4700500053	Screw, M8 x 20 mm 8.8 A2K	2		
4	4700356348	Measuring nipple	6		
5	4700234622	Elbow 45	1		
6	4700483204	Hydraulic hose	1		
7	4700313102	Cable ties	N		
8	4700483445	Hydraulic hose	3		
9	4700483188	Hydraulic hose	2		
11	4700334196	Elbow 90	5		
12	4700902125	Connector	2		
13	-	Vibration pump	1		
14	4700234388	Connector	2		
15	-	Propulsion pump	1		
16	-	Steering pump	1		
20	4700334523	Reducing	1		
21	4700334463	Connector	1		
22	4700908136	Bracket	2		
23	4700500018	Hex. screw	2		

Hydraulic system Hydraulic oil tank

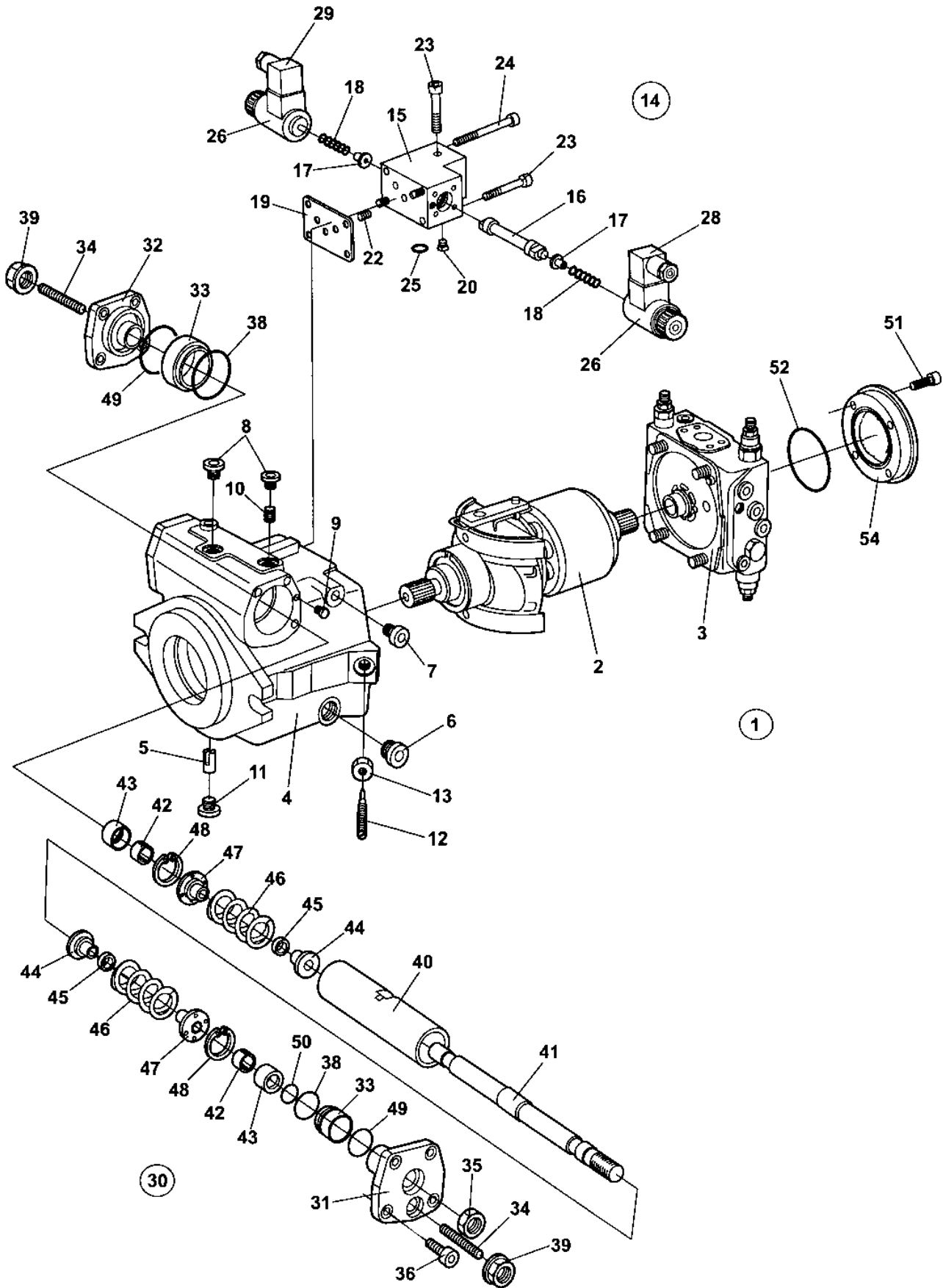


Refer to Parts Online for the most up to date information. The printed information might be outdated.

Thu Aug 20 22:04:08 MDT 2015

Item	Part No.	Name	Qty	L	SN INFO
1	4700372044	Hydraulic oil tank, cpl	1		
2	4700372029	Hydraulic oil tank	1		
3	4700349880	O Ring	1		
4	4700349879	Cover	1		
5	4700989151	Oil level glass	1		
6	4700500019	Hex. screw	14		
7	4700904229	Steel plain washer	14		
8	4700357138	Ventilating filter	1		
9	4700791119	Adapter G3/4	1		
10	4700233304	Ball valve	1		
11	4700232039	Steel plug threaded	1		
12	4700791120	Washer sealing	2		
13	4700500192	Hex. screw	4		
14	4700904567	Washer, 10.5 x 28 x 6 mm, 0.41 x 1.10 x 0.24 in. 300 HV	4		
16	4700570006	Hex. nut	4		

4700393695 Vibration pump To ECN 11301 4700393695 Vibration pump



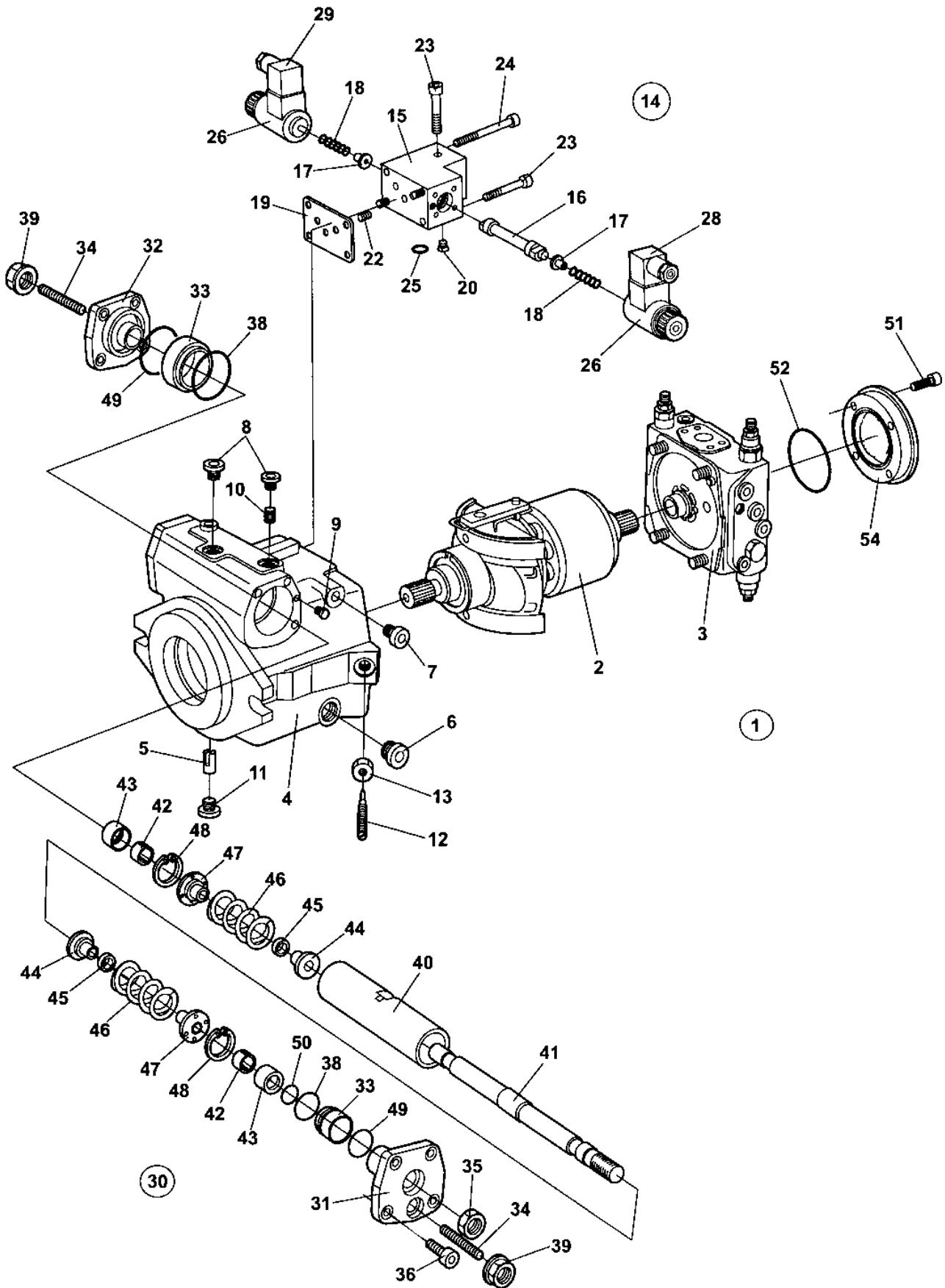
Refer to Parts Online for the most up to date information. The printed information might be outdated.

Thu Aug 20 22:04:10 MDT 2015

Item	Part No.	Name	Qty	L	SN INFO
1	-	Vibration pump, cpl	1		
1	4700940676	Seal kit	1		
2	-	Rotating group, cpl	1		
3	4700936609	Valve block, cpl	1		
4	-	Housing	1		
5	4700936612	Pin	1		
6	4700935219	Plug	1	1	
7	4700902724	Plug	2	1	
8	4700902625	Plug	3	1	
9	4700909514	Double break-off pin	2		
10	4700936308	Orifice	2		
11	4700902624	Screw	1	1	
12	4700902687	Pin	1		
13	4700902695	Nut	1	1	
14	4700940507	Control valve, cpl	1		
15	-	Housing	1		
16	4700945775	Piston	1		
17	4700945776	Spring collar	2		
18	4700936686	Spring	2		
19	-	Washer M8 ISO 7089	1	1	
20	-	Pin	2		
22	4700909514	Double break-off pin	1		
23	4700936689	Screw	3		
24	4700908383	Screw	2		
25	-	O-ring	1	1	
26	4700940505	Solenoid	2		
28	-	Socket	1		
29	-	Socket	1		
30	-	Hydraulic control, cpl	1		
31	-	Cover	1		
32	-	Cover	1		
33	-	Guide Ring	2		
34	4700936642	Pin	2		
35	4700902638	Nut	1		
36	4700902752	Screw	8		
38	-	Seal ring	2	1	
39	4700936644	Nut	2	1	

Refer to Parts Online for the most up to date information. The printed information might be outdated.

Thu Aug 20 22:04:10 MDT 2015



Refer to Parts Online for the most up to date information. The printed information might be outdated.

Thu Aug 20 22:04:10 MDT 2015

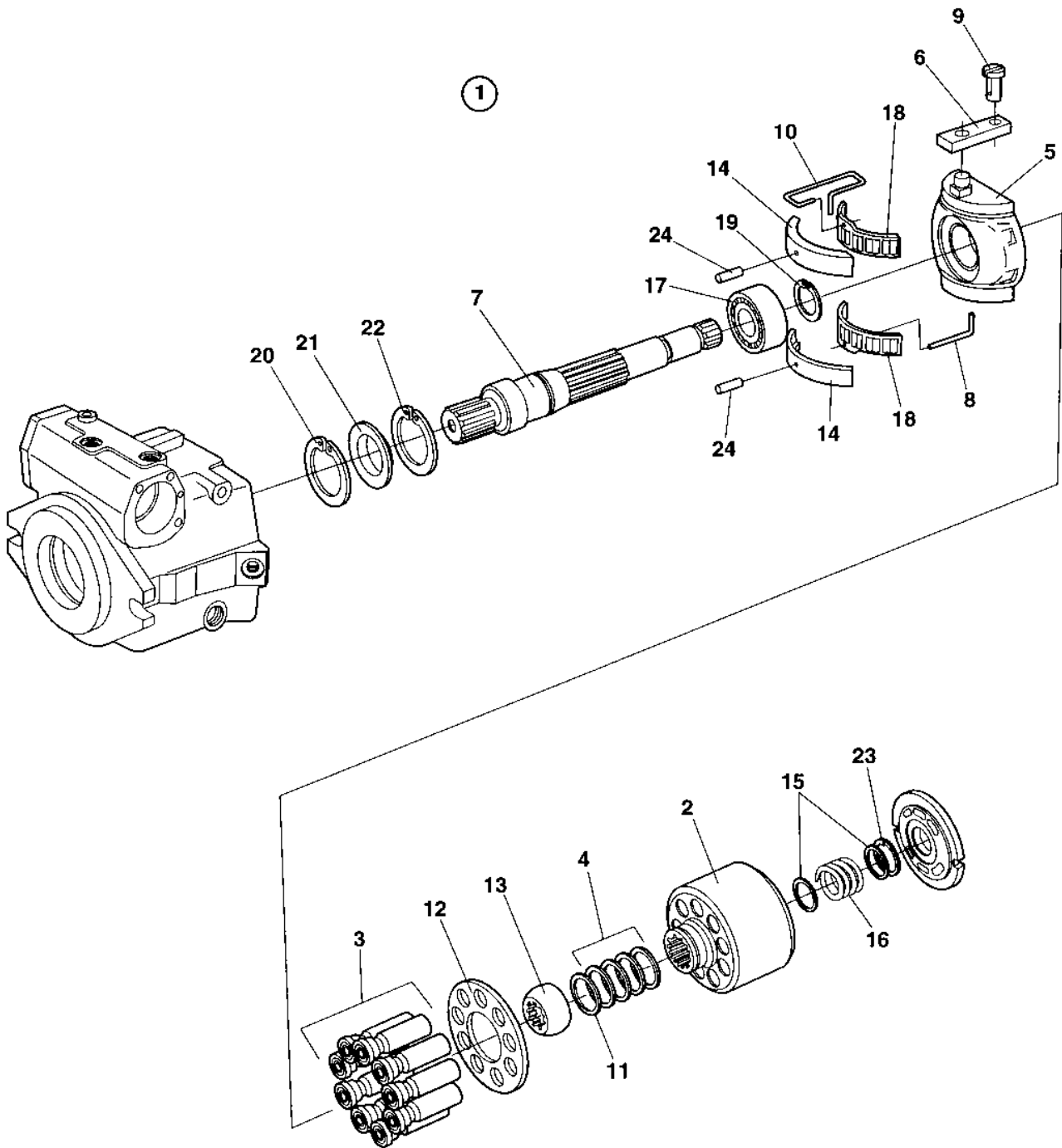
Item	Part No.	Name	Qty	L	SN INFO
40	-	Piston	1		
41	4700936646	Rod	1		
42	-	Ring	2		
43	4700938014	Sleeve	2		
44	4700936647	Spring collar	2		
45	4700936648	Spacer ring	2		
46	4700936654	Spring	2		
47	4700936655	Spring collar	2		
48	4700936656	Retaining ring	2		
49	4700936643	O-ring	2	1	
50	4700909469	O-ring	1		
51	4700939173	Screw	4		
52	4700935192	O-ring	1	1	
54	-	Cover	1		

Comments for Page: 4700393695 Vibration pump

(L)OCAL REMARKS

1 | en_US | Included in seal kit

4700393695 Vibration pump To ECN 11301 Rotating group, cpl



Refer to Parts Online for the most up to date information. The printed information might be outdated.

Thu Aug 20 22:04:10 MDT 2015

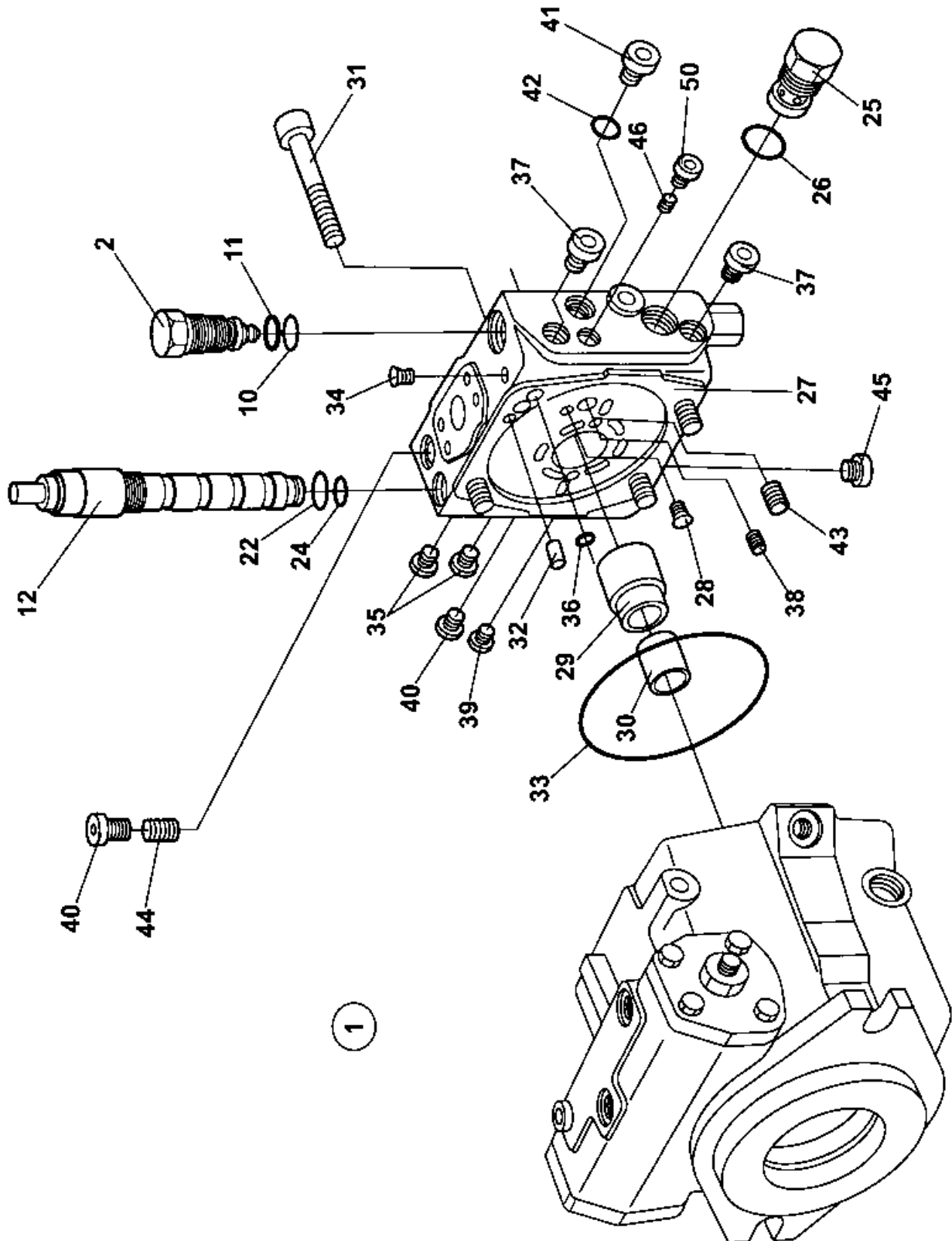
Item	Part No.	Name	Qty	L	SN INFO
1	-	Rotating group, cpl	1		
2	4812156977	Cylinder	1		
2	4812156978	Control plate	1		
3	4700936616	Piston	9		
4	4700936617	Cup spring stack	1		
5	4700936618	Cradle	1		
6	4700936619	Slide ring	1		
7	4700936620	Shaft	1		
8	4700936621	Wire	1		
9	4700935164	Pin	1		
10	4700936622	Wire	1		
11	4700936623	Shim	1		
12	4700936627	Retaining plate	1		
13	4700936628	Retaining ball	1		
14	4700936629	Bearing liner, 1 pair	1		
15	4700936630	Washer	2		
16	4700936631	Pressure spring	1		
17	4700936632	Bearing	1		
18	4700936633	Cradle bearing assembly, 1 set	1		
19	4700937187	Retaining ring	1		
20	4700936634	Retaining ring	1		
21	-	Seal ring	1	1	
22	4700936636	Retaining ring	1		
23	4700936637	Retaining ring	1		
24	-	Pin	2		

Comments for Page: Rotating group, cpl

(L)OCAL REMARKS

1 | en_US | Includes in seal kit

4700393695 Vibration pump To ECN 11301 4700936609 Valve block, cpl



Refer to Parts Online for the most up to date information. The printed information might be outdated.

Thu Aug 20 22:04:11 MDT 2015

Item	Part No.	Name	Qty	L	SN INFO
1	-	Valve block, cpl	1		
2	-	Pressure relief valve, cpl 310 bar	2		
2	4700935172	Pressure relief valve 350 bar	2		
2	4700936657	Pressure relief valve 380 bar	2		
2	4700937240	Pressure relief valve 440 bar	2		
2	4700950635	Pressure relief valve 430 bar	1		
10	4700902814	O-ring	1	1	
11	4700936673	Back-up ring	1	1	
12	4700936659	Pressure override valve, cpl	1		
22	4700902783	O-ring	1	1	
24	4700936394	O-ring	1	1	
25	4700936658	Locking set	1		
26	4700902814	O-ring	1	1	
27	4700936660	Port plate	1	B	
27	4812155764	Port plate	1		
28	-	Pin	1		
29	4700936661	Bushing	1		
30	4700936662	Bearing bush	1		
31	4700936663	Screw	4		
32	4700936664	Pin	2		
33	4700936665	O-ring	1	1	
34	4700909514	Double break-off pin	3		
35	4700936370	Locking screw	2	1	
36	4700909469	O-ring	2	1	
37	4700902625	Plug	2	1	
38	-	Pin	1		
39	4700902625	Plug	1	1	
40	4700902811	Plug	3	1	
41	4700936304	Locking screw	1		
42	4700936305	O-ring	1	1	
43	4700902697	Screw	1		
44	4700936613	Locking screw	1		
45	4700936614	Plug	1	1	
46	4700936313	Orifice	1		
50	4700936370	Locking screw	1		
50	4700935212	Pin	1	A	

Refer to Parts Online for the most up to date information. The printed information might be outdated.

Thu Aug 20 22:04:11 MDT 2015

Comments for Page: 4700936609 Valve block, cpl

(L)OCAL REMARKS

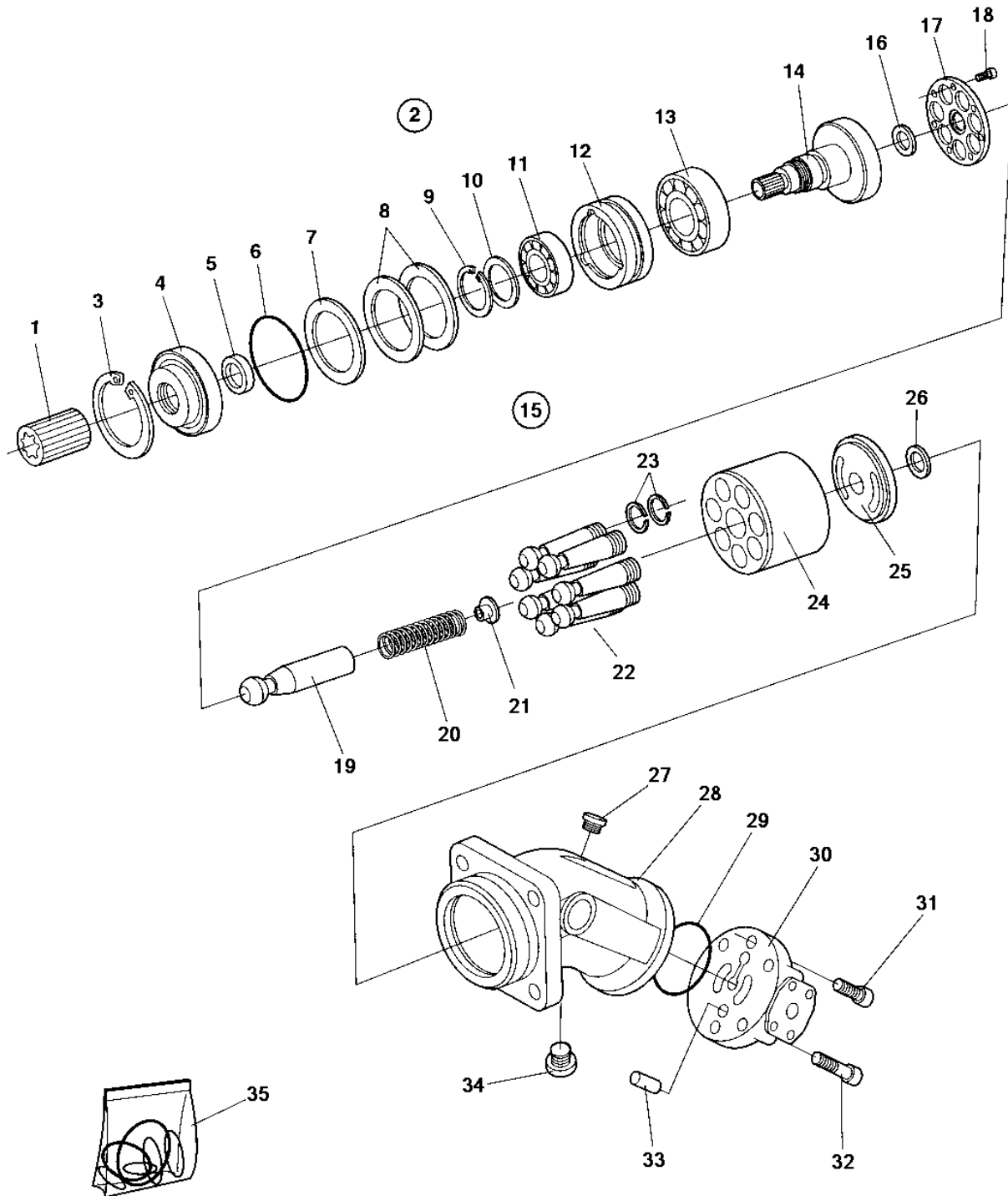
A | en_US | Used with item 27, P/N 4812155764.

B | en_US | Replaced by P/N 4812155764.

1 | en_US | Includes in seal kit

This page intentionally left blank

4700393695 Vibration pump To ECN 11301 4700380146 Hydraulic motor, vibration



Refer to Parts Online for the most up to date information. The printed information might be outdated.

Thu Aug 20 22:04:11 MDT 2015

Item	Part No.	Name	Qty	L	SN INFO
1	4700340863	Splined sleeve	1		
2	4700380079	Hydraulic motor, vibration	1		
3		Snap ring	1		
4	4812156092	Cover	1		
5	4700945880	Seal ring	1	1	
6		O-ring	1	1	
7	4700902265	Shim T=0,3 mm	1		
8	4700902264	Shim T=0,1mm	2		
9		Retaining ring	1		
10		Back-up plate	1		
11	4700902261	Bearing	1		
12		Bearing ring	1		
13	4700902260	Bearing	1		
14	4812313045	Drive shaft	1		
15		Rotary group, hydraulic section	1		
16		Washer, 12.2x20x0.5 mm	1		
17		Retaining plate	1		
18		Screw	7		
19		Pin	1		
20		Spring	1		
21		Spring collar	1		
22		Piston	7		
22		Piston	1		
23		Sealing ring	2		
24		Cylinder	1		
25		Pressure plate	1		
26		Washer, 12.2x20x0.5 mm	1		
27		Screw	1		
28		Housing	1		
29		O-ring	1	1	
30		Plate	1		
31		Screw	2		
32		Screw	4		
33		Pin	1		
34	4700937259	Screw	1	1	
35	4700937675	Seal kit	1		

Refer to Parts Online for the most up to date information. The printed information might be outdated.

Thu Aug 20 22:04:12 MDT 2015

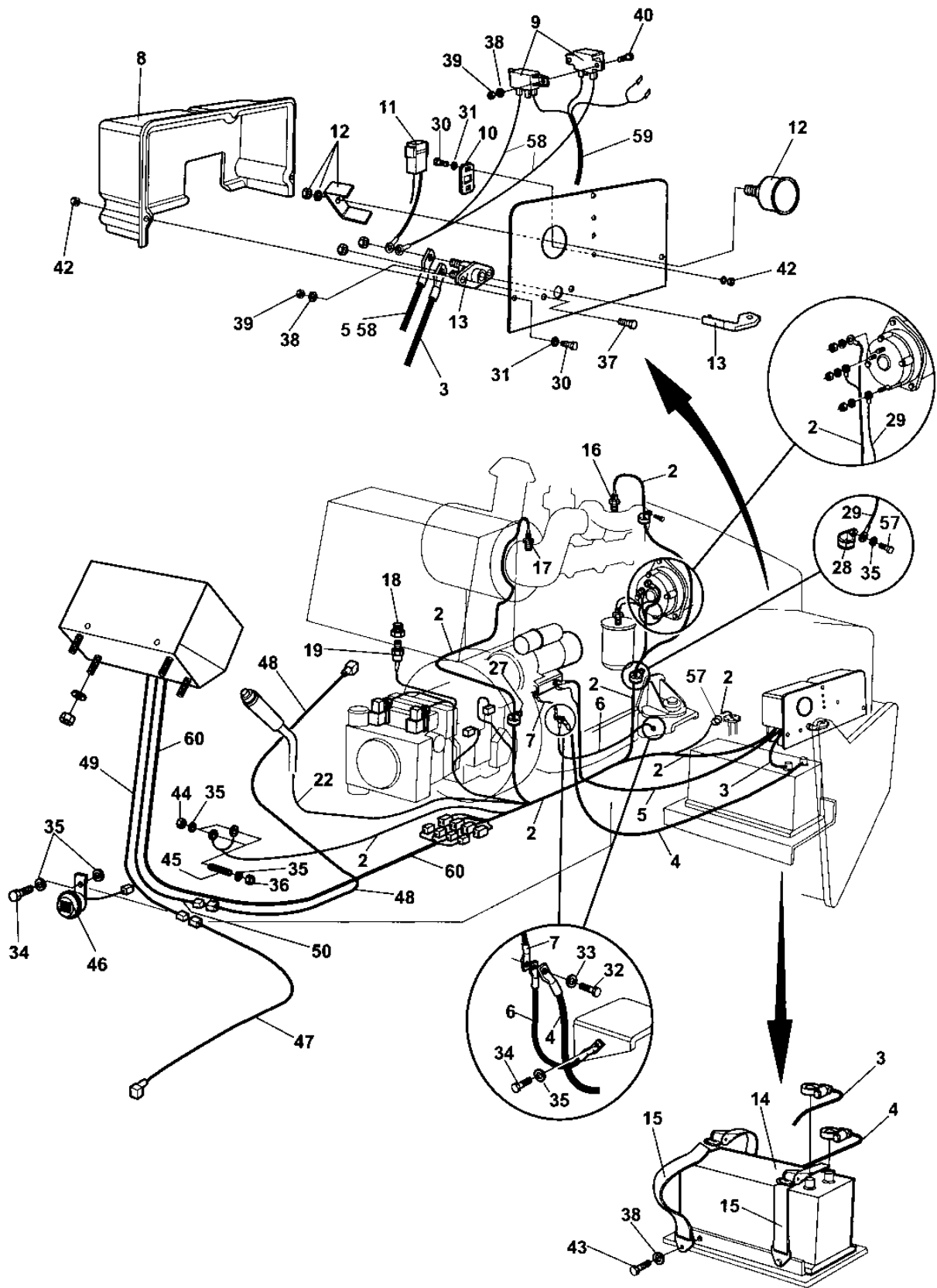
Comments for Page: 4700380146 Hydraulic motor, vibration

(L)OCAL REMARKS

1 | en_US | Included in seal kit, item 34

This page intentionally left blank

Electric system Electric system



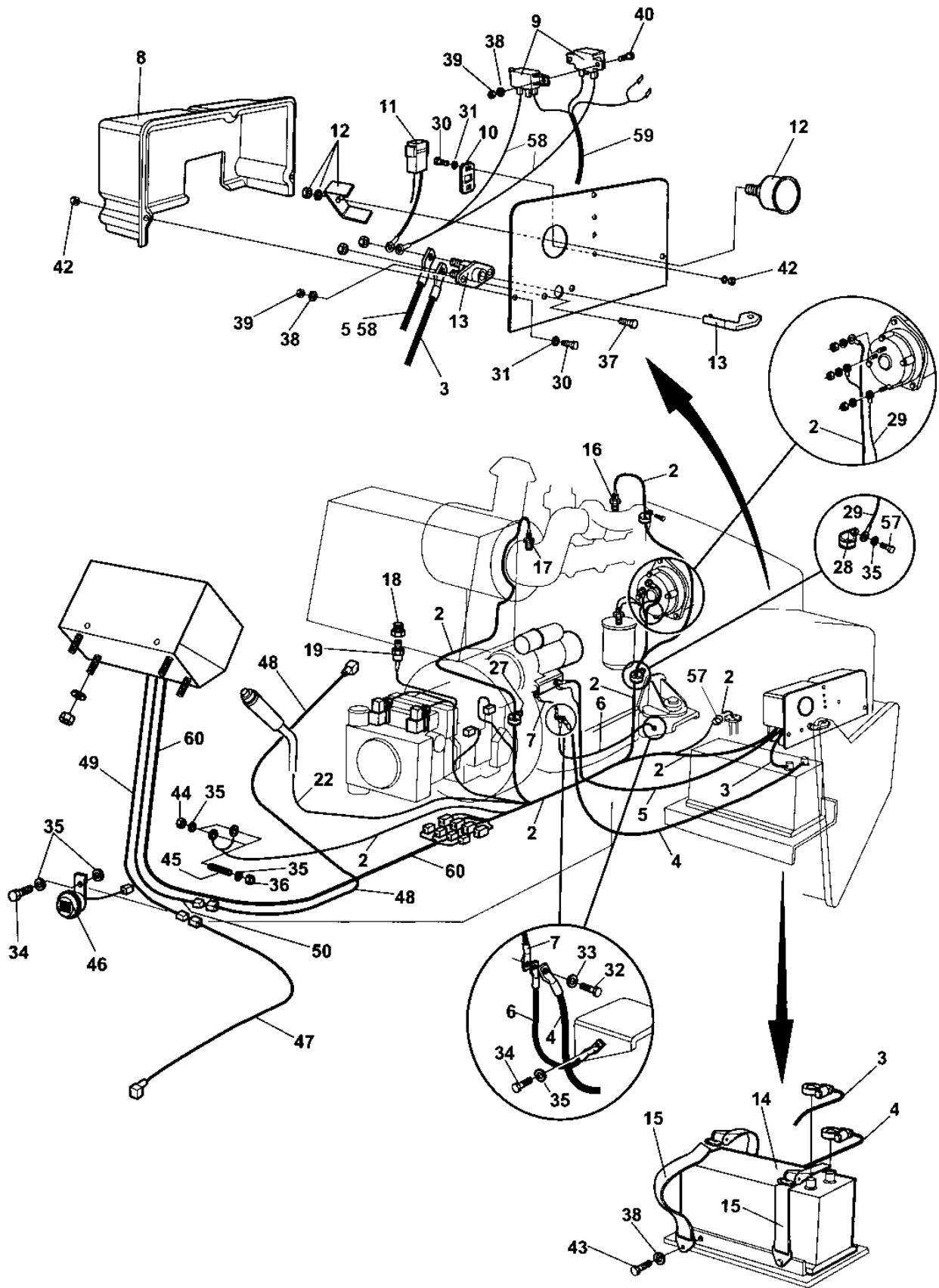
Refer to Parts Online for the most up to date information. The printed information might be outdated.

Thu Aug 20 22:04:12 MDT 2015

Item	Part No.	Name	Qty	L	SN INFO
1	-	Control panel	1		
2	4812112944	Cable harness	1	A	To ECN 11301
2	4812115855	Cable harness	1	A	From ECN 11301
3	4700791503	Battery cable	1		
4	4700791511	Battery cable	1		
5	4700792052	Connection cable coarse	1		
6	4700791510	Connection cable coarse	1		
7	4700791595	Connection cable coarse	1		
8	4700373891	Protection cover	1		
9	4700904448	Relay	2		
10	4700904036	Bracket	1		
11	4700904037	Fuse 30A Green	1		
12	4700801567	Hour meter	1		
13	4700903640	Battery switch	1		
13	4700903641	Battery key	1		
14	4700792682	Battery	1		
15	4700791371	Strap	2		To 0C000365
15	4700389662	Strap	2		From 0C000366
16	4700903632	Temperature sensor Engine	1		
17	4700929023	Indicator	1		
18	4700813434	Reducer	1		
19	4700903631	Temperature sensor Hydraulic oil	1		
22	4700357583	Cable harness	1		
27	4700921104	Pipe clamp	1		
28	4700921116	Clamp	1		
29	4700792277	Connection cable	1		
30	4700500060	Screw M5-0,8x20 8.8	5		
31	4700904281	Washer, 5,3x10x1 300HV	5		
32	4700500035	Hexagon screw, M12x20H	1		
33	4700904638	Washer 12x22x2	1		
34	4700500053	Screw, M8 x 20 mm 8.8 A2K	2		
35	4700904229	Steel plain washer	8		
36	4700570005	Hexagon nut	2		
37	4700500040	Screw, M6 x 20 mm 8.8 A2K	2		
38	4700904639	Washer, M6	8		To 0C000365; From 0C000366
39	4700902285	Nut	4		
40	4700500075	Screw, M6-1,0x25 mm 8.8	2		

Refer to Parts Online for the most up to date information. The printed information might be outdated.

Thu Aug 20 22:04:12 MDT 2015



Refer to Parts Online for the most up to date information. The printed information might be outdated.

Thu Aug 20 22:04:12 MDT 2015

Item	Part No.	Name	Qty	L	SN INFO
41	4700387397	Bracket	1		
42	4700902284	Nut M5	5		
43	4700500012	Hex. screw	4		To 0C000365
44	4700902286	Lock nut, M8x1.25 mm A2K	2		
45	4700903768	Threaded stud	2		
46	4700999027	Horn	1		
47	4700380549	Cable harness	1	B	
48	4700380577	Cable harness	1	C	
49	4700380699	Cable harness	1	D	
50	4700380700	Cable harness	1	E	
56	4700500021	Hex. screw	1		
57	4700921072	Clamp	1		
58	4700387427	Cable harness	1		
59	4700387554	Cable harness	1		
60	4700380281	Cable harness	1	F	

Comments for Page: Electric system

(L)OCAL REMARKS

A | en_US | Main Cable harness.

B | en_US | Drum drive.

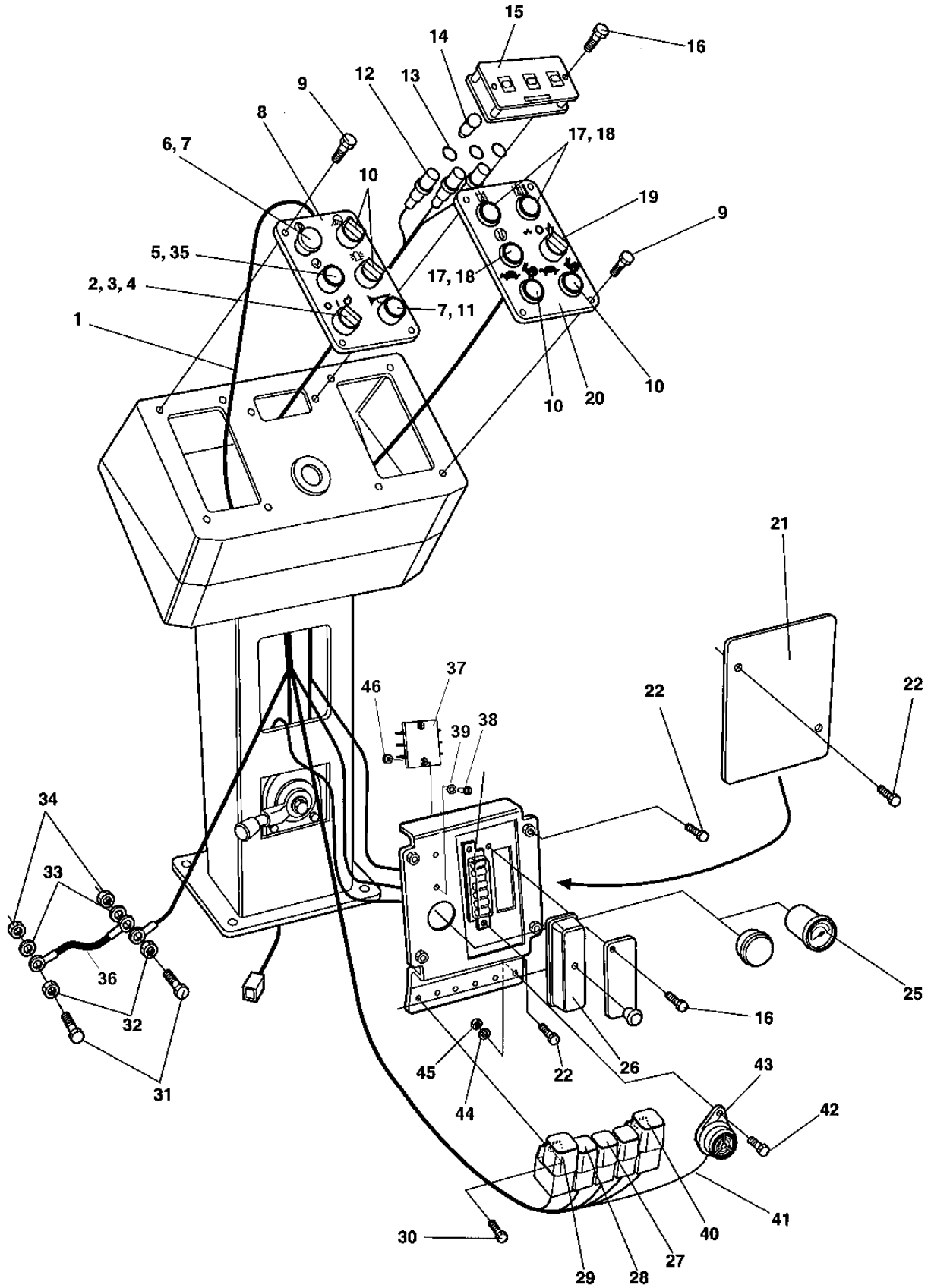
C | en_US | Rear axle.

D | en_US | Control panel, Drum drive

E | en_US | Control panel, Rear axle.

F | en_US | Main harness, control panel.

Electric system Control panel



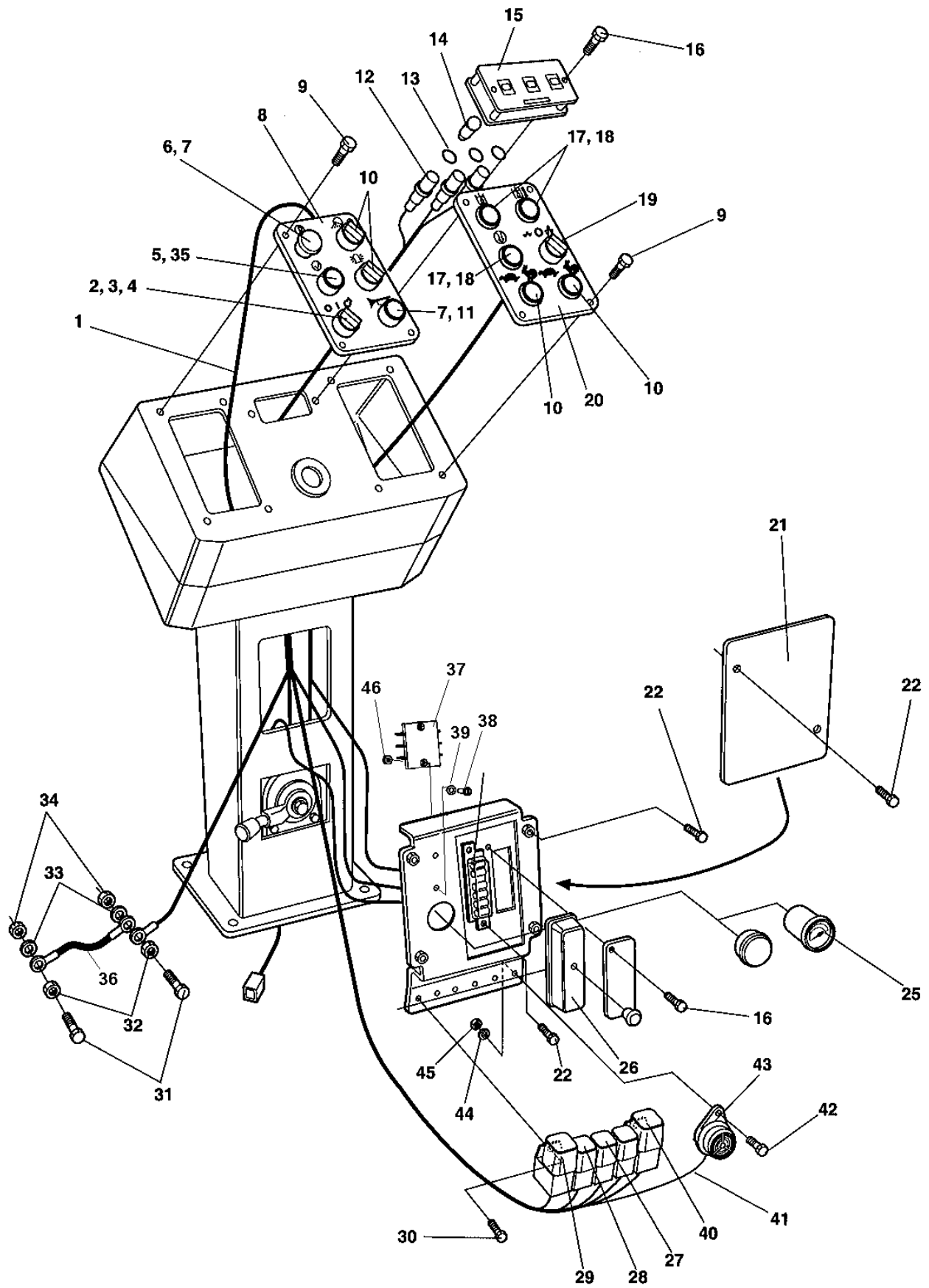
Refer to Parts Online for the most up to date information. The printed information might be outdated.

Thu Aug 20 22:04:13 MDT 2015

Item	Part No.	Name	Qty	L	SN INFO
1	4700387418	Cable harness	1		
2	4700791489	Switch	1	1	
3	4700930154	Contact piece, NC	1		
4	4700930198	Contact block	1		
4	4700903875	Flange with light	1		
5	4700932032	Push button	1		
6	4700930200	Emergency stop	1		
7	4700930163	Contact piece, NO	6		
8	4700380278	Control panel, left	1		
9	4700902224	Screw, M6 x 10 mm A2-70	8		
10	4700911456	Hole plug	4		
11	4700932032	Push button	1		
12	4700902225	Lamp socket 2-POL	3		
13	4700160269	O-ring	3		
14	4700985125	Bulb 12V	3		
15	4700357585	Display panel	1		
16	4700901767	Screw	6		
17	4700985146	Pilot lamp cpl Red	3		
18	4700985012	Bulb	3		
19	4700930153	Switch	1		
20	4700380277	Control panel, right	1		
21	4700371344	Cover	1		
22	4700541702	Screw M6x12	6		
23	4700371326	Distribution control plate	1		
24	4700901226	Fuse 7.5A Brown	4		
25	4700355263	Fuel gauge	1		
26	4700903820	Fuse box	2		
26	4700901240	Connector	6		
27	4700287597	Relay	1		
28	4700287598	Relay 12V-30A	1		
29	4700382782	Relay, VBS	1		
30	4700902223	Screw	4		
31	4700500075	Screw, M6-1,0x25 mm 8.8	2		
32	4700586002	Lock nut M6 -8	2		
33	4700904228	Washer 6.4x12x1.5 mm 300 HV	2		
34	4700570004	Hex. nut	2		
35	4700930163	Contact piece, NO	1		

Refer to Parts Online for the most up to date information. The printed information might be outdated.

Thu Aug 20 22:04:13 MDT 2015



Refer to Parts Online for the most up to date information. The printed information might be outdated.

Thu Aug 20 22:04:13 MDT 2015

Item	Part No.	Name	Qty	L	SN INFO
36	4700903970	Cable	1		
37	4700903625	Junction block	1		
38	4700533013	Cylinder screw	2		
39	4700904698	Steel plain washer	2		
40	4700904846	Delay relay	1	A	
41	4700387728	Cable harness	1	A	
42	4700533070	Screw	1	A	
43	4700355301	Buzzer	1	A	
44	4700904281	Washer, 5,3x10x1 300HV	2	A	
45	4700586001	Lock nut	1	A	
46	4700923976	Lock nut	2		

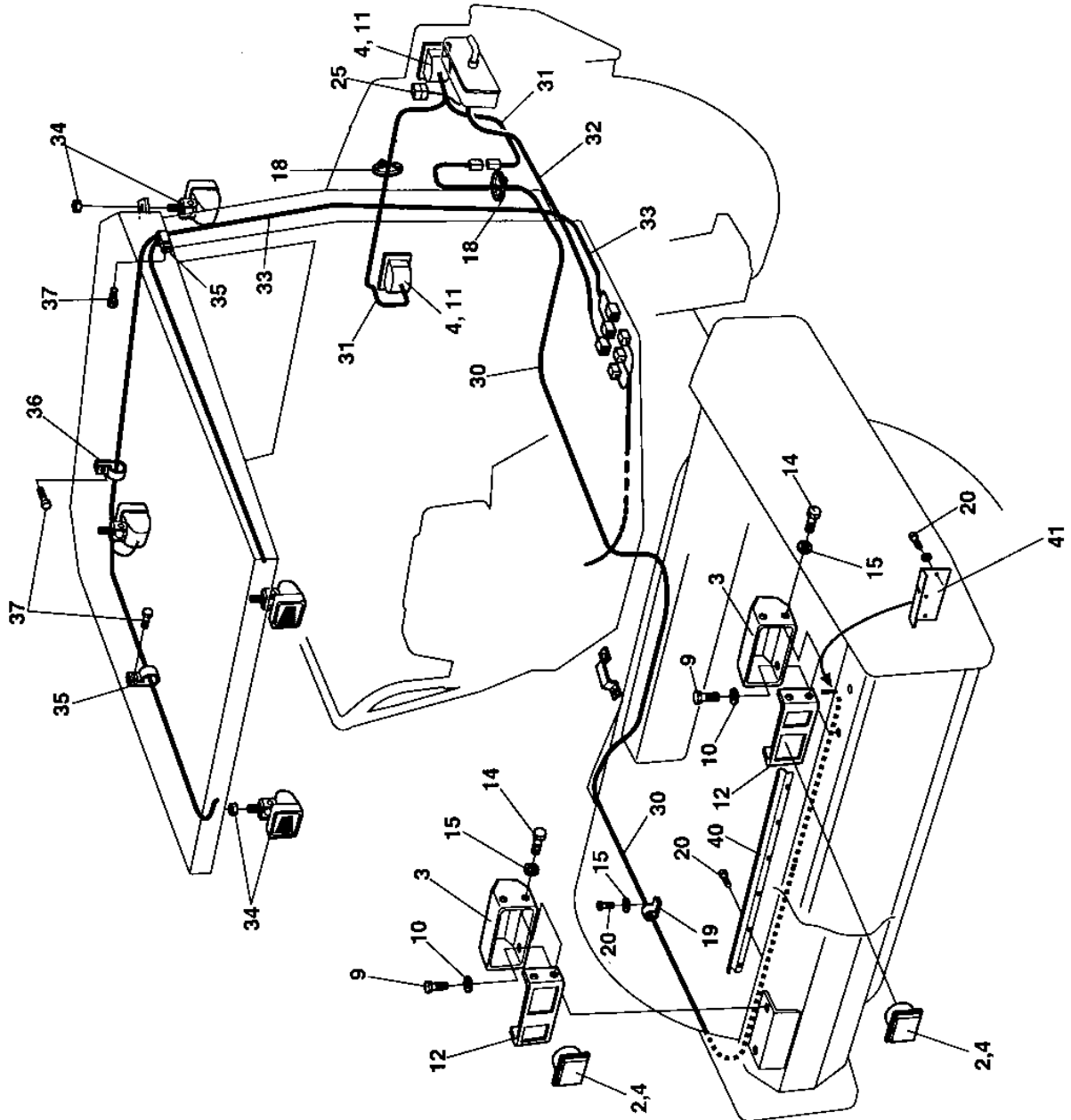
Comments for Page: Control panel

(L)OCAL REMARKS

A | en_US | Interlock, Option

1 | en_US | Ignition, Green

Electric system Working lights Option

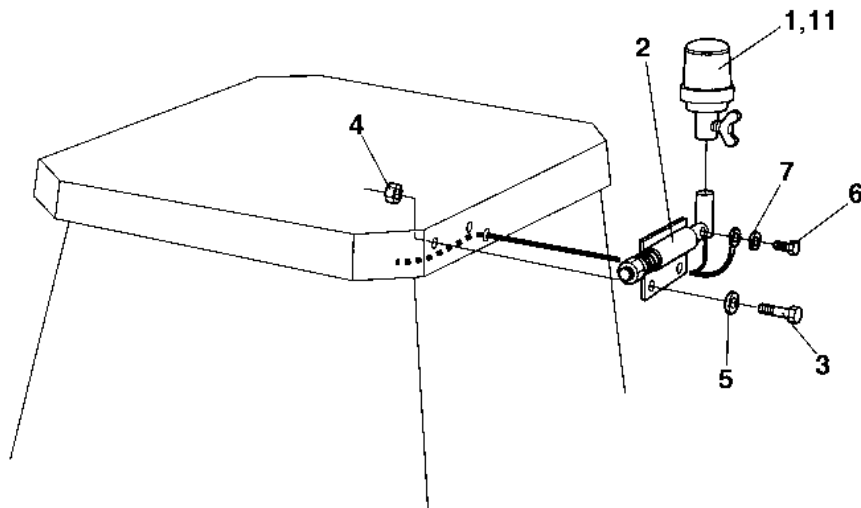
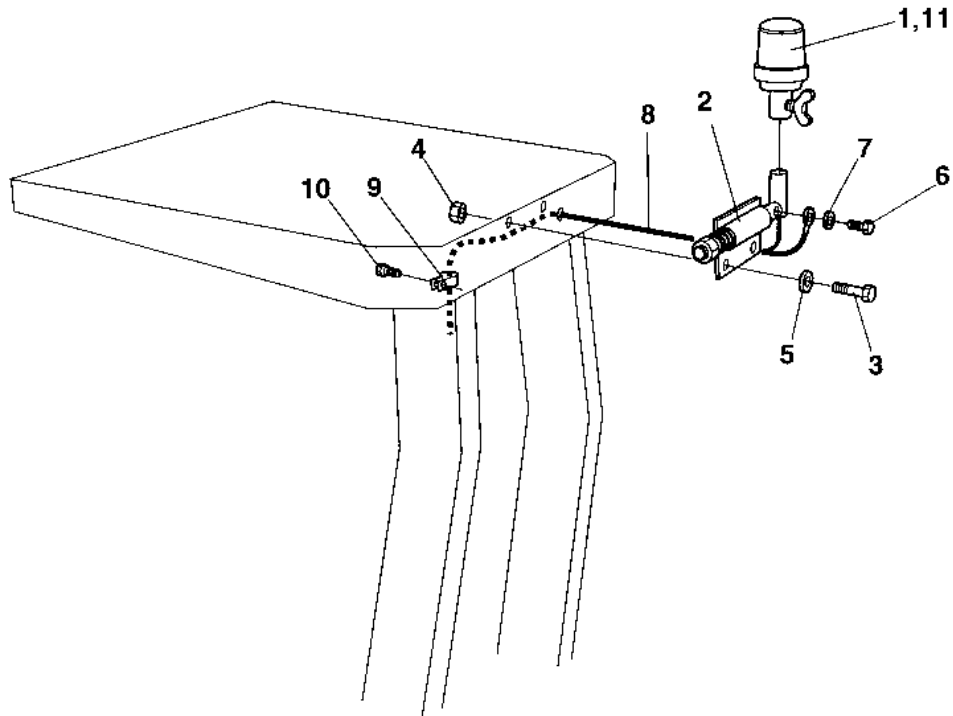


Refer to Parts Online for the most up to date information. The printed information might be outdated.

Thu Aug 20 22:04:13 MDT 2015

Item	Part No.	Name	Qty	L	SN INFO
2	4700902227	Work light	2		
3	4700374029	Lamp shield	2		
4	4700901369	Bulb 55w H3	4		
9	4700500043	Hex. screw	6		
10	4700904230	Washer 10.5x22x2 mm 300 HV	6		
11	4700904314	Work lamp	2		
12	4700374030	Bracket	2		
14	4700500040	Screw, M6 x 20 mm 8.8 A2K	8		
15	4700904228	Washer 6.4x12x1.5 mm 300 HV	13		
18	4700925802	Cable ties L=142 mm	N		
19	4700921039	Pipe clamp	8		
20	4700500012	Hex. screw	8		
25	4700904038	Fuse 40A Orange	1		
30	4700373184	Cable harness	1		
31	4700387419	Cable harness	1		
32	4700373184	Cable harness	1		
33	4700372758	Cable harness	1		
34	4812110216	Work lamp	4		
34	4700904230	Washer 10.5x22x2 mm 300 HV	4		
34	4700586018	Lock nut, M10	4		
35	4700921039	Pipe clamp	10		
36	4700921031	Clamp	3		
37	4700541702	Screw M6x12	13		
40	4700381462	Rubber hose	1		
41	4700384163	Protection	2		

Electric system Rotating beacon Option



Refer to Parts Online for the most up to date information. The printed information might be outdated.

Thu Aug 20 22:04:13 MDT 2015

Item	Part No.	Name	Qty	L	SN INFO
1	4700999011	Breather filter	1	1	
2	4700358452	Lamp holder	1		
3	4700500021	Hex. screw	2		
4	4700586003	Nut, M8	2		
5	4700904229	Steel plain washer	2		
6	4700500013	Hex. screw	1		
7	4700904228	Washer 6.4x12x1.5 mm 300 HV	1		
8	4700374398	Cable harness	1		
9	4700921039	Pipe clamp	1		
10	4700541702	Screw M6x12	1		
11	4700389577	Rotating beacon 12V	1	2	

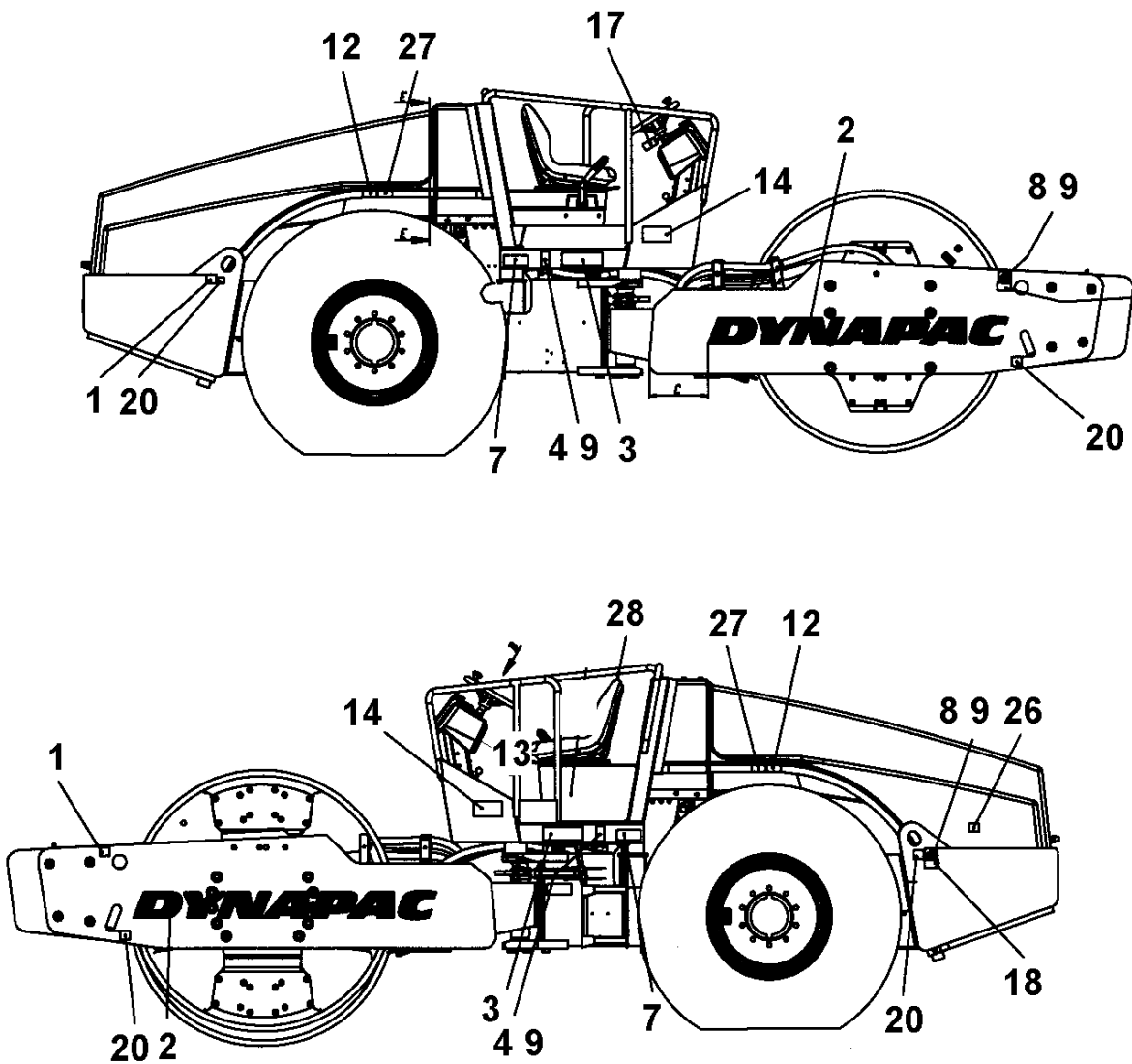
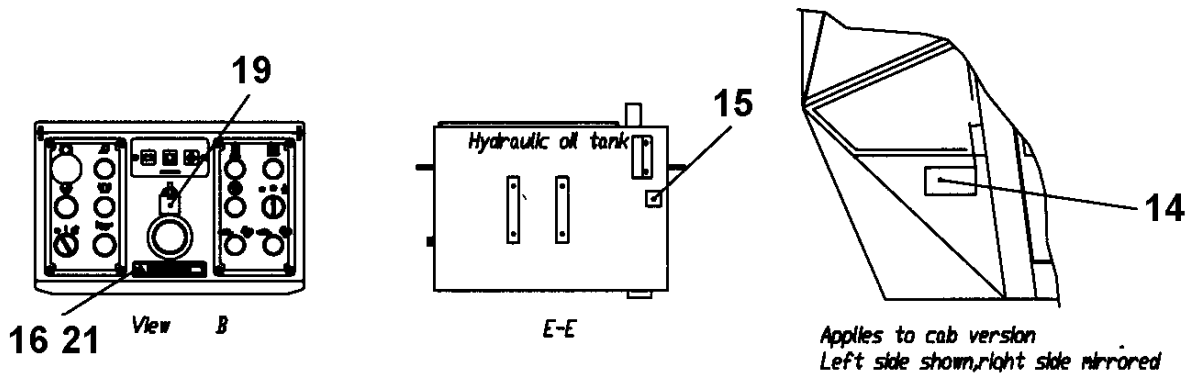
Comments for Page: Rotating beacon Option

(L)OCAL REMARKS

1 | en_US | Is replaced by item 11, P/N 4700389577

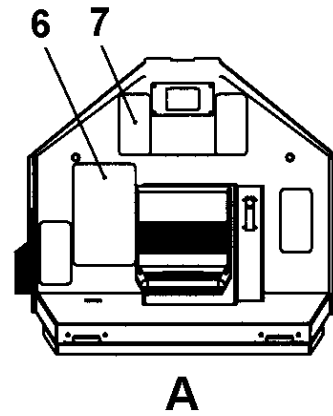
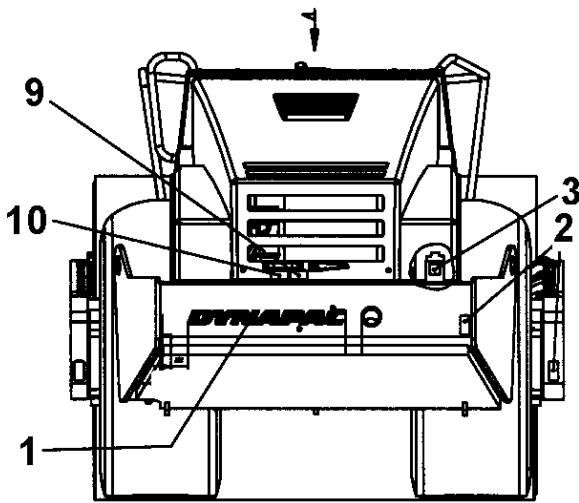
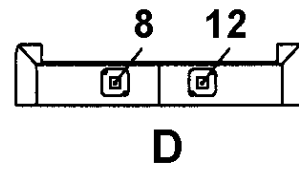
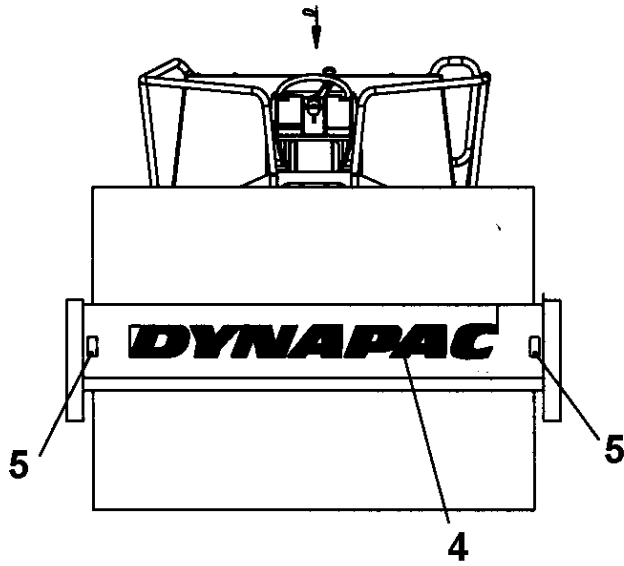
2 | en_US | Replaces item 1, P/N 4700999011

Options / Accessories Decals



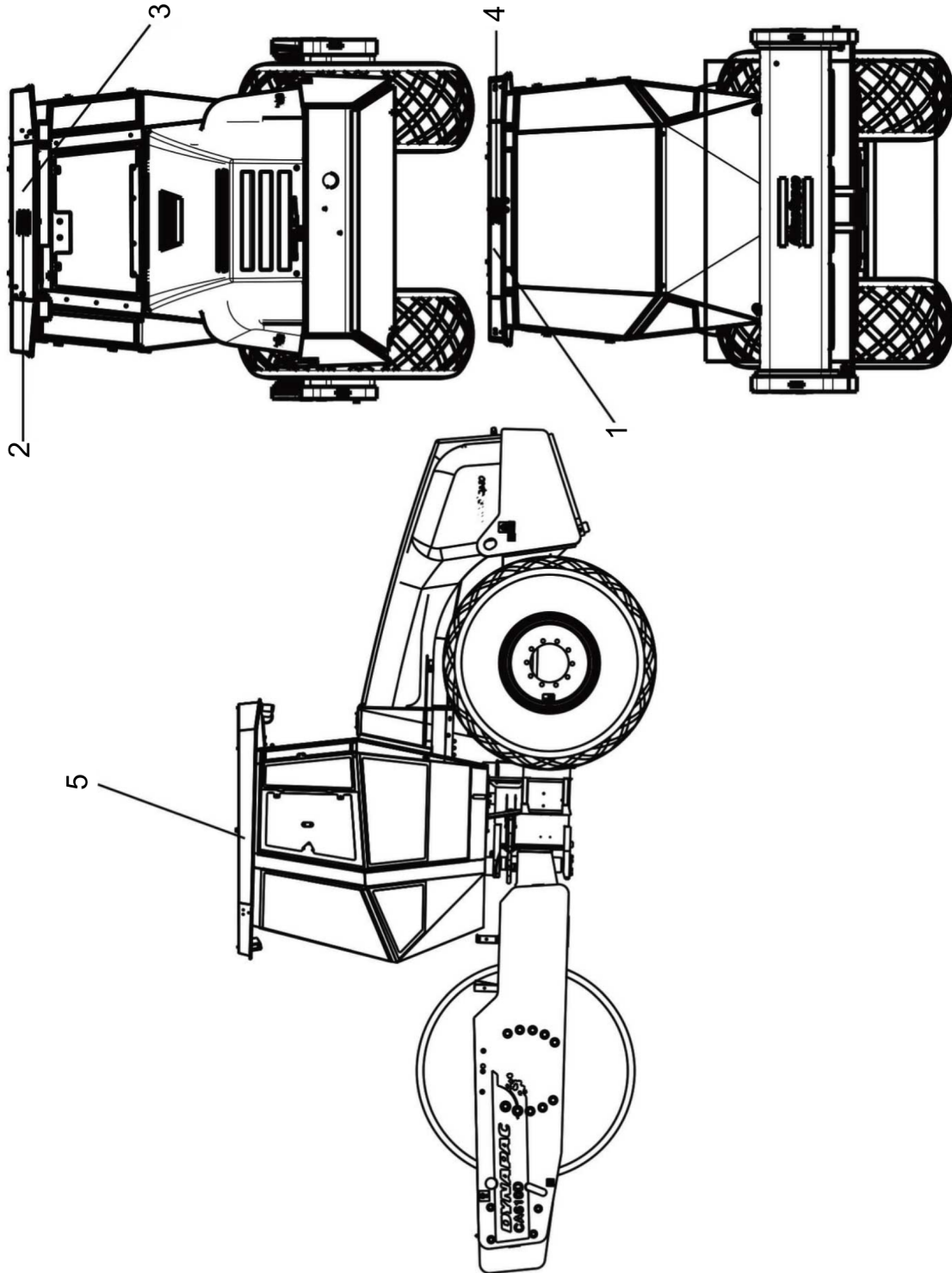
Item	Part No.	Name	Qty	L	SN INFO
1	4700588176	Decal "LIFT POINT"	2		
2	4812265120	Decal "DYNAPAC"	2		
3	4812265121	Decal "DYNAPAC"	2		
4	4700377744	Reflector, yellow	2		
7	4700903459	Decal "SAFETY"	2		
8	4700904870	Lifting data plate	2		
9	4700624005	Blind rivet 3,2x6,1	16		
12	4700390900	Decal "TYRE PRESSURE" 110kPA/16psi	2		
13	4700903425	Safety decal "READ SAFETY INSTRUCTIONS"	1		
14	4700903422	Safety decal "CRUSH AREA"	2		
15	4700272373	Label, hydraulic oil level	1		
16	47386084SE	Warning plate Swedish	1		
16	47386084EN	Warning plate English	1		
16	47386084DE	Warning plate German	1		
16	47386084IT	Warning plate Italian	1		
16	47386084ES	Warning plate Spanish	1		
16	47386084FR	Warning plate French	1		
16	47386084NO	Warning plate Norwegian	1		
16	47386084DK	Warning plate Danish	1		
16	47386084FI	Warning plate Finnish	1		
16	47386084PT	Warning plate Portuguese	1		
16	47386084NL	Warning plate Dutch	1		
16	47386084GR	Warning plate Greek	1		
16	47386084IS	Warning plate Icelandic	1		
16	47386084CN	Warning plate Chinese	1		
16	47386084BR	Warning plate Brazil	1		
17		Instructions Loading-Unloading	1		
18	4700908229	Safety decal	2		
19	4700358881	Pad lock	1		
20	4700382751	Decal "SECURING POINT/TIE DOWN"	4		
21	4700624017	Blind rivet	4		
26	4700904835	Decal "BATTERY POWER"	1		
27	4700903985	Decal "SAFETY"	2		
28	4700348331	Seat protector	1		
29	4812269831	Decal AC H=140	1		

Options / Accessories Decals



Item	Part No.	Name	Qty	L	SN INFO
1	4700904069	Decal 'DYNAPAC', white	1		
2	4700377742	Reflector, red	4		
3	4700991658	Decal "FUEL"	1		
4	4812269858	Decal "Atlas Copco" Black, H=250	1		
5	4700377743	Reflector, white	2		
6	4700373364	Slip protection	1		
7	4700373363	Slip protection	4		
8	4700272372	Decal "HYDRAULIC OIL"	1		
9	4700903423	Safety label, Rotating engine components	1		
10	4700903424	Safety label, hot surfaces	1		
12	4700388449	Decal "ENGINE COOLANT FILL"	1		

Options / Accessories Decals

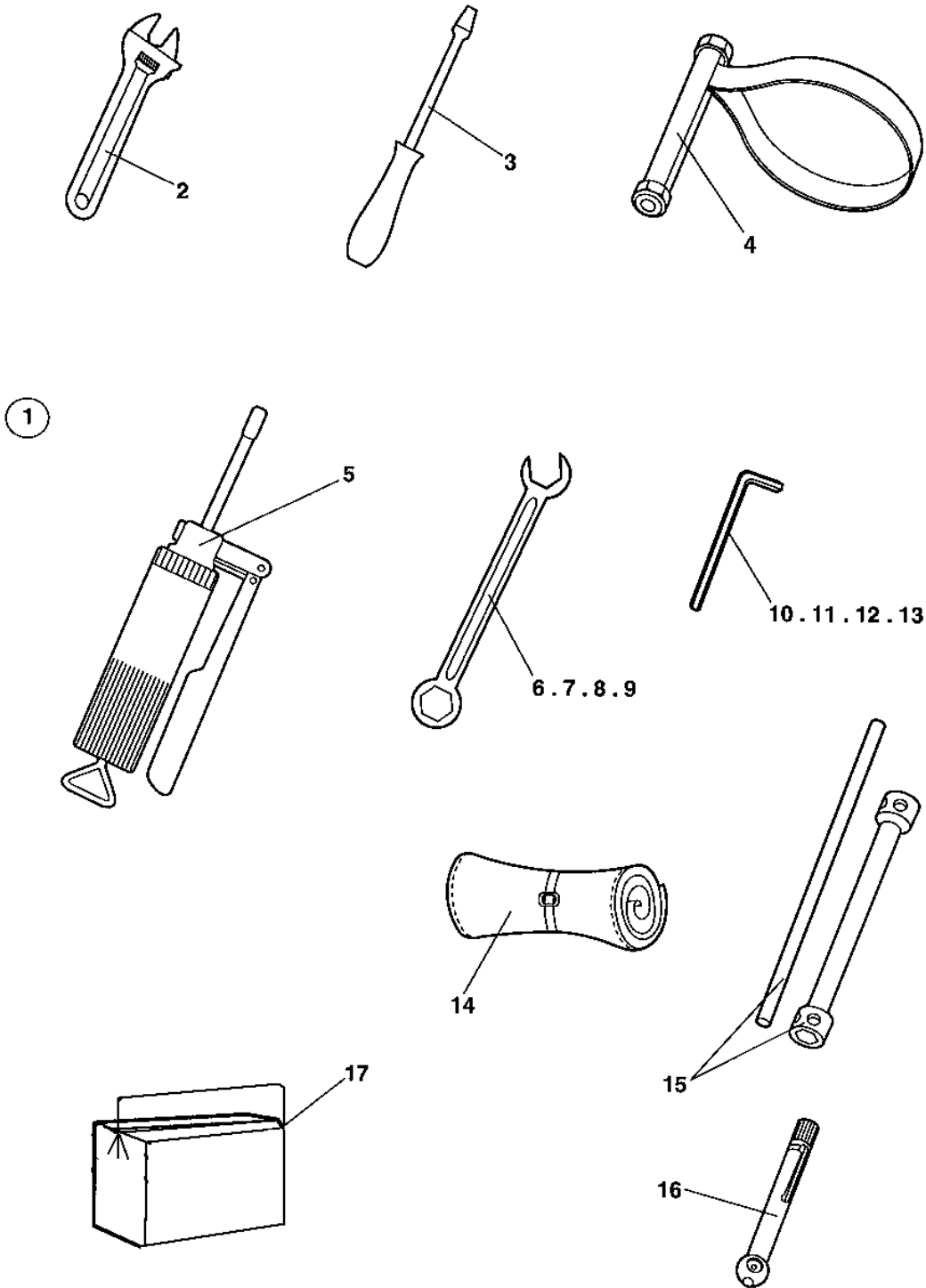


Refer to Parts Online for the most up to date information. The printed information might be outdated.

Thu Aug 20 22:04:15 MDT 2015

Item	Part No.	Name	Qty	L	SN INFO
1	4812269829	Decal AC H=45	1		
2	4812120119	Decal "Atlas Copco" Black	1		
3	4812265836	Cab decal	1		
4	4812265837	Cab decal	1		
5	4812265838	Cab decal	1		

Options / Accessories Tool equipment



Item	Part No.	Name	Qty	L	SN INFO
1	4700355890	Tool set Cpl	1		
2	-	Adjustable wrench	1		
3	-	Screw driver	1		
4	4700902610	Belt pliers	1		
5	4700311016	Grease gun	1		
6	-	Open end spanner 10mm	1		
7	-	Open end spanner 13mm	1		
8	-	Open end spanner 16mm	1		
9	-	Open end spanner 18mm	1		
10	-	Allen wrench 10mm	1		
11	-	Allen wrench 12mm	1		
12	-	Allen wrench 6mm	1		
13	-	Allen wrench 8mm	1		
14	-	Tool bag	1		
15	-	Wheel nut key 30/32mm	1		
16	4700901220	Pressure gauge	1		
17	4700372837	Tool box	1		
18	4700372658	Lock	1		
19	4700500021	Hex. screw	3		
20	4700904640	Washer, 8.4 x 22 x 3 mm, 0.33 x 0.87 x 0.12 in. 300 HV	6		

Options / Accessories Fire extinguisher

NO EXPLODED VIEW
AVAILABLE
FOR THIS BOM

Item	Part No.	Name	Qty	L	SN INFO
0	4812265746	Fire extinguisher	1		
1	4812265465	Fire extinguisher	1		
01	4812274844	Fire extinguisher	1		
2	4700792187	Thread forming screw M5x14	2		
02	4812274843	Holder	1		
3	4700570003	Hex. nut	2		
2	4700792187	Thread forming screw M5x14	2		
4	4700601001	Washer	2		
3	4700570003	Hex. nut	2		
4	4700601001	Washer	2		

Options / Accessories Wheel with all-weather prooftyre Liquid filled

NO EXPLODED VIEW
AVAILABLE
FOR THIS BOM

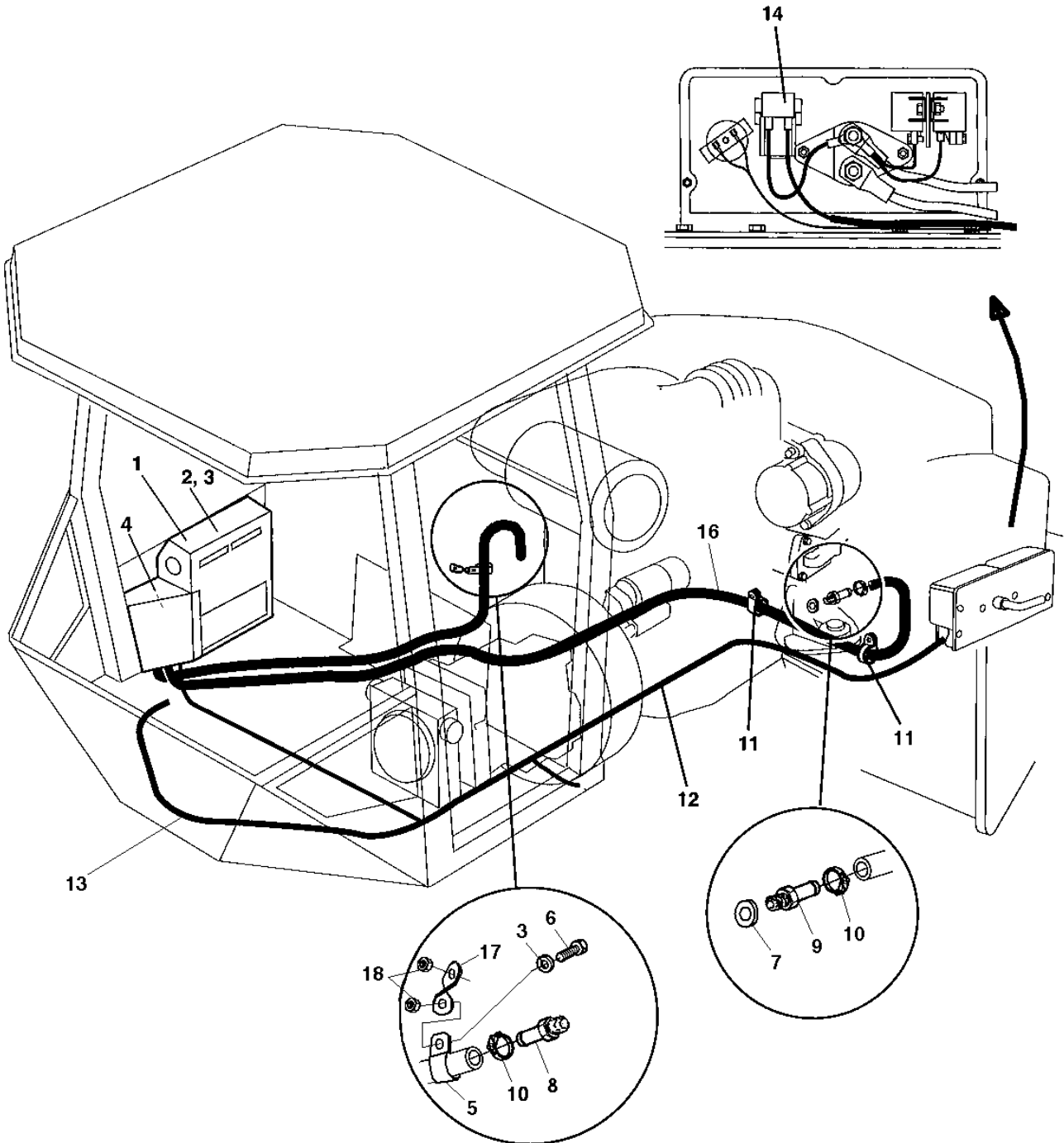
Item	Part No.	Name	Qty	L	SN INFO
0	4812270033	Wheel with all-weather prooftyre Liquid filled	1		
1	4812270032	Wheel with all-weather prooftyre	1		
2	4812114240	Calcium chloride	1		
3	4700903985	Decal "SAFETY	1		

Options / Accessories Wheel with all-weather prooftyre

NO EXPLODED VIEW
AVAILABLE
FOR THIS BOM

Item	Part No.	Name	Qty	L	SN INFO
0	4812270032	Wheel with all-weather prooftyre	1		
1	4812270031	All-weather prooftyre	1		
2	4700393335	Rim	1		
3	4700792261	Air charging valve Straight	1		

Options / Accessories Heater Simple cab



Refer to Parts Online for the most up to date information. The printed information might be outdated.

Thu Aug 20 22:04:16 MDT 2015

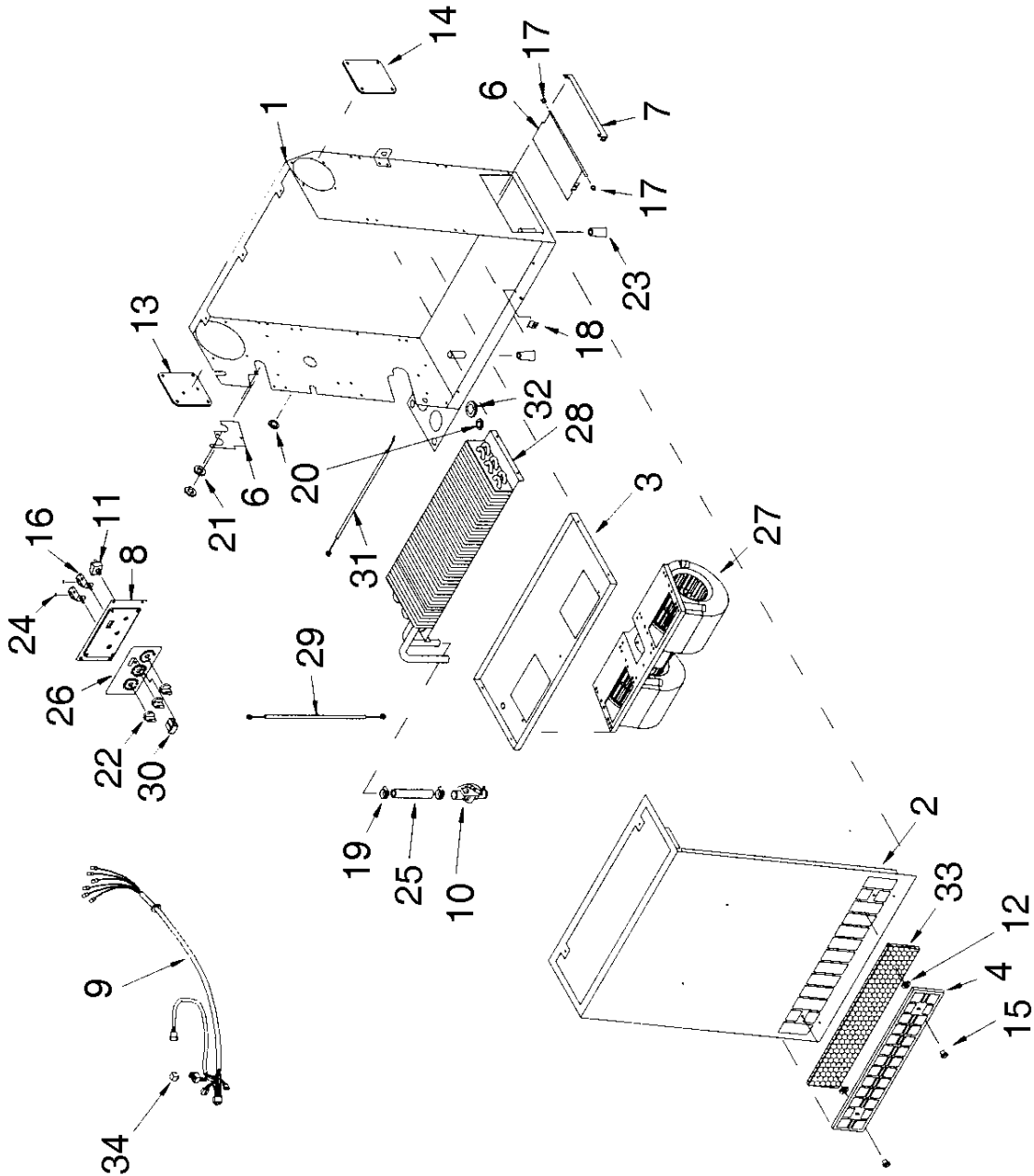
Item	Part No.	Name	Qty	L	SN INFO
1	4700379394	Heater box	1		
2	4700500019	Hex. screw	5		
3	4700904229	Steel plain washer	6		
4	4700903741	Fuse 20A Yellow	2		
5	4700921056	Clamp	1		
6	4700500053	Screw, M8 x 20 mm 8.8 A2K	1		
7	4700330330	Copper washer	1		
8	4700387638	Hose connection	1		
9	4700391303	Hose connection	1		
10	4700313004	Hose clamp 19-29mm	4		
11	4700921132	Clamp	2		
12	4700387466	Cable harness	1		
13	4700394210	Cable harness	1		
14	4700904039	Fuse 50A Red	1		
15	4700313102	Cable ties	N		
16	4700937737	Hose	2XL	A	
17	4700393280	Holder	1		
18	4700570005	Hexagon nut	2		

Comments for Page: Heater Simple cab

(L)OCAL REMARKS

A | en_US | L=3600 mm

Options / Accessories 4700379394 Heater box



Refer to Parts Online for the most up to date information. The printed information might be outdated.

Thu Aug 20 22:04:16 MDT 2015

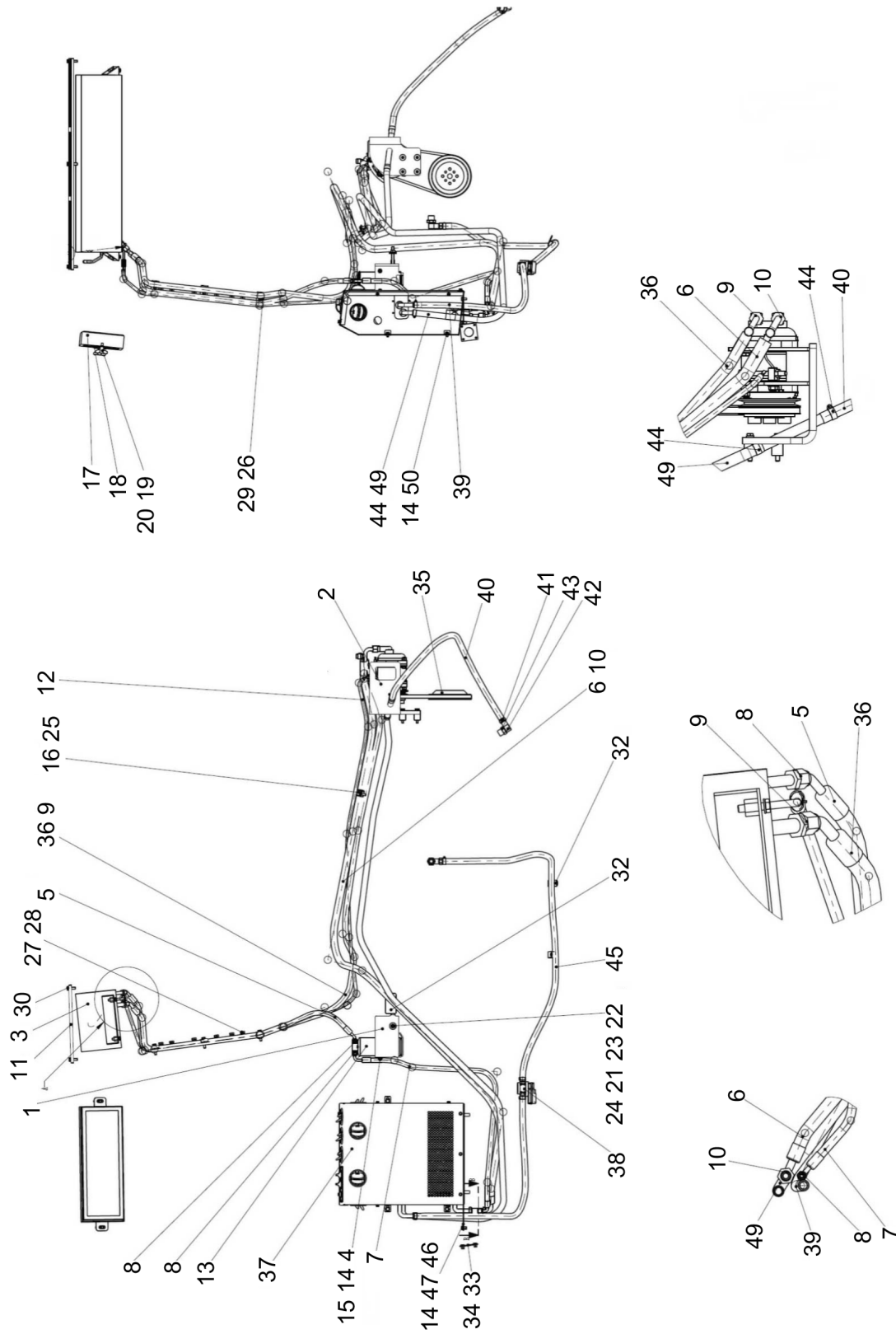
Item	Part No.	Name	Qty	L	SN INFO
10	4700939693	Heater control valve	1		
11	4700938622	Switch	1		
16	4700938621	Rotary control	2		
19	4700313003	Hose clamp	2		
24	4700385134	Lock washer	2		
25	4700384881	Hose	1	A	
27	4700938638	Fan	1		
28	4700938639	Heater coil	1		
29	4700938645	Bowden cable	1		
31	4700384762	Wire	1		
33	4700384761	Air filter element	1		
34	4700287597	Relay	1		

Comments for Page: 4700379394 Heater box

(L)OCAL REMARKS

A | en_US | L=200 mm

Air conditioner assembly Air conditioner mount



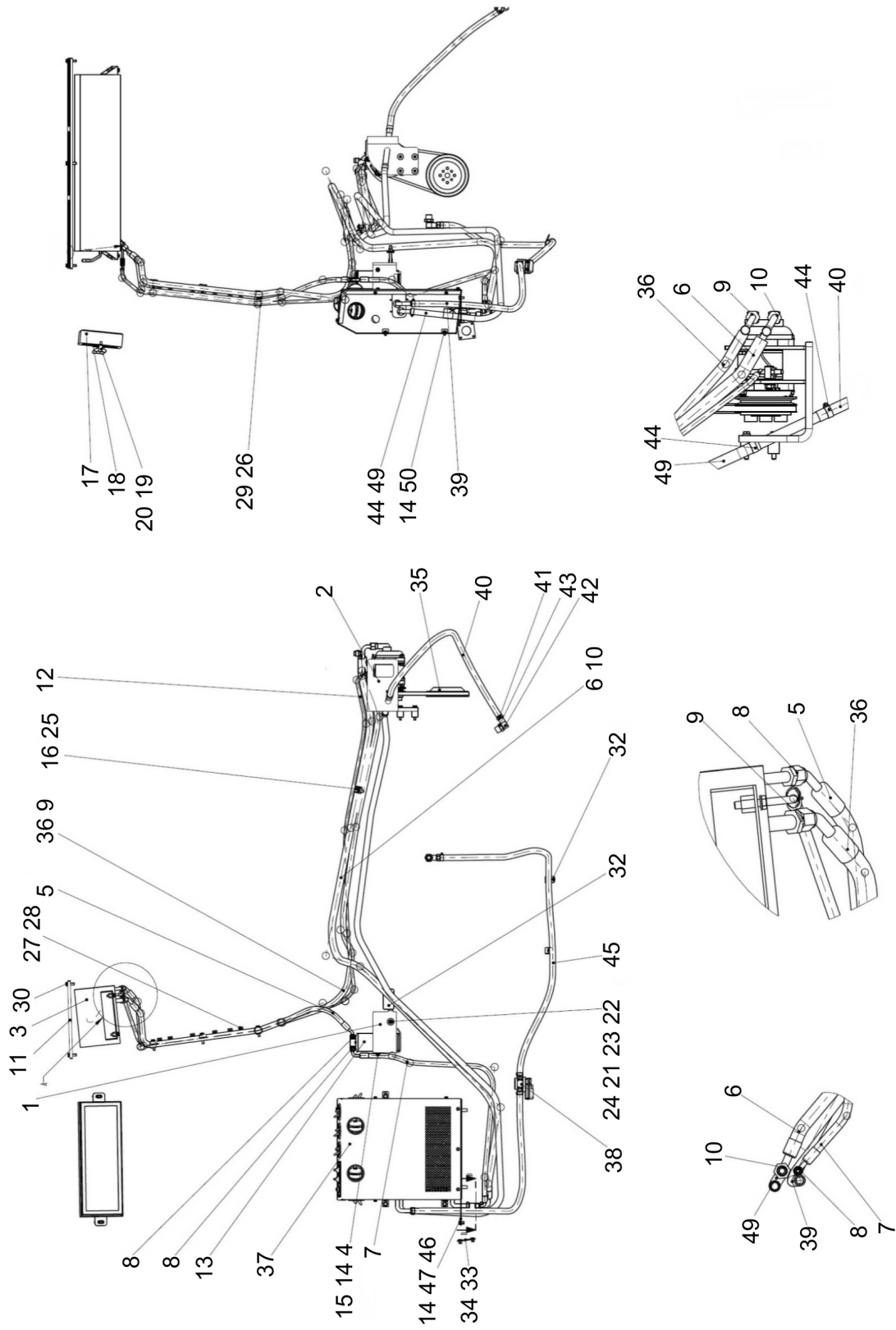
Refer to Parts Online for the most up to date information. The printed information might be outdated.

Thu Aug 20 22:04:17 MDT 2015

Item	Part No.	Name	Qty	L	SN INFO
1	4700390483	Holder	1		
2	4812265833	Compressor cpl.	1		
3	4812265842	Condensor	1		
4	4700500100	HEXAGON SCREW M	2		
5	4812265844	Refrigerant hose	1		
6	4812265853	Refrigerant hose	1		
7	4812265846	Refrigerant hose	1		
8	4700384877	O-ring Size 6	4		
9	4700384878	O-ring Size 8	2		
10	4700384879	O-ring Size 10	2		
11	4700384589	Cover	1		
12	4812265839	Wiring harness	1		
13	4812265845	Receiver driver	1		
14	4700904229	Steel plain washer	21		
15	4700586003	Nut, M8	2		
16	4700921056	Clamp	1		
17	4700908501	Filter frame	1		
18	4700908502	Filter	1		
19	4700908504	Handle	2		
20	4700908503	O-ring	2		
21	4700904230	Washer 10.5x22x2 mm 300 HV	1		
22	4700500192	Hex. screw	1		
23	4700904567	Washer, 10.5 x 28 x 6 mm, 0.41 x 1.10 x 0.24 in. 300 HV	1		
24	4700570006	Hex. nut	1		
25	4700500053	Screw, M8 x 20 mm 8.8 A2K	1		
26	4700346230	Clamp	3		
27	4700904543	Cable tie holder	6		
28	4700903852	Screw ST4,2x13	6		
29	4700500023	Screw, M8 x 40 mm 8.8 A2K	3		
30	4700500022	Screw	10		
31	4700903679	Refrigerant	1.5		
32	4700904156	Safety decal, toxic gases	1		
33	4700935586	Bracket	1		
34	4700500004	Screw M5x12 8,8	4		
35	4812268934	Pulley	1		
36	4812265843	Refrigerant hose	1		
37	4812265847	Evaporimeter	1		

Refer to Parts Online for the most up to date information. The printed information might be outdated.

Thu Aug 20 22:04:17 MDT 2015

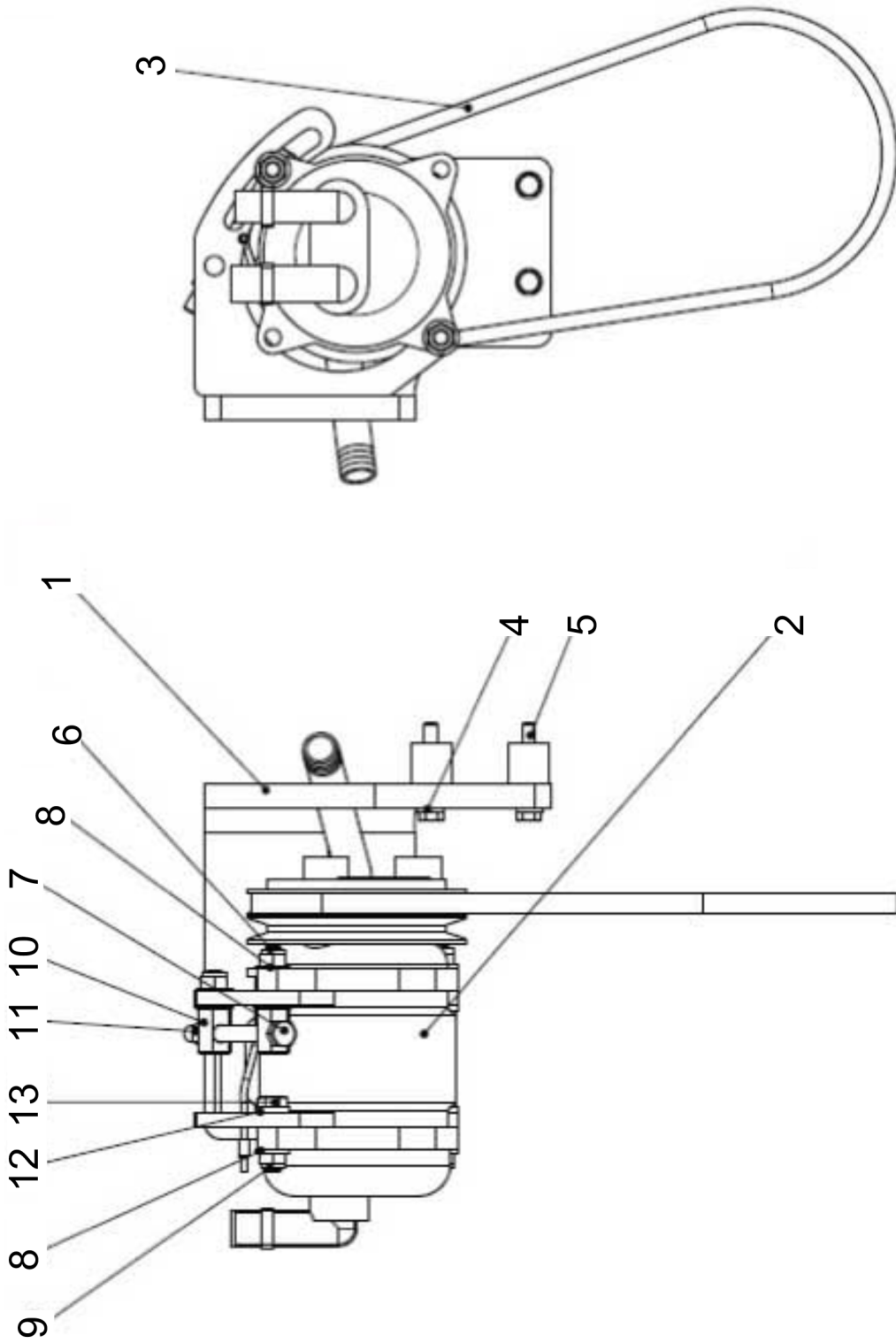


Refer to Parts Online for the most up to date information. The printed information might be outdated.

Thu Aug 20 22:04:18 MDT 2015

Item	Part No.	Name	Qty	L	SN INFO
38	4812265849	Valve	1		
39	4812265851	Water hose	0.5		
40	4812265850	Water hose	0.5		
41	4700387638	Hose connection	2		
42	4700234365	Elbow 90	2		
43	4700813434	Reducer	2		
44	4700313004	Hose clamp 19-29mm	7		
45	4812265848	Water hose	2.7		
46	4812265843	Refrigerant hose	1		
47	4700500019	Hex. screw	2		
48	4700921161	Pipe clamp	2		
49	4812265841	Water hose	3.5		
50	4700500018	Hex. screw	3		

Air conditioner assembly Compressor cpl

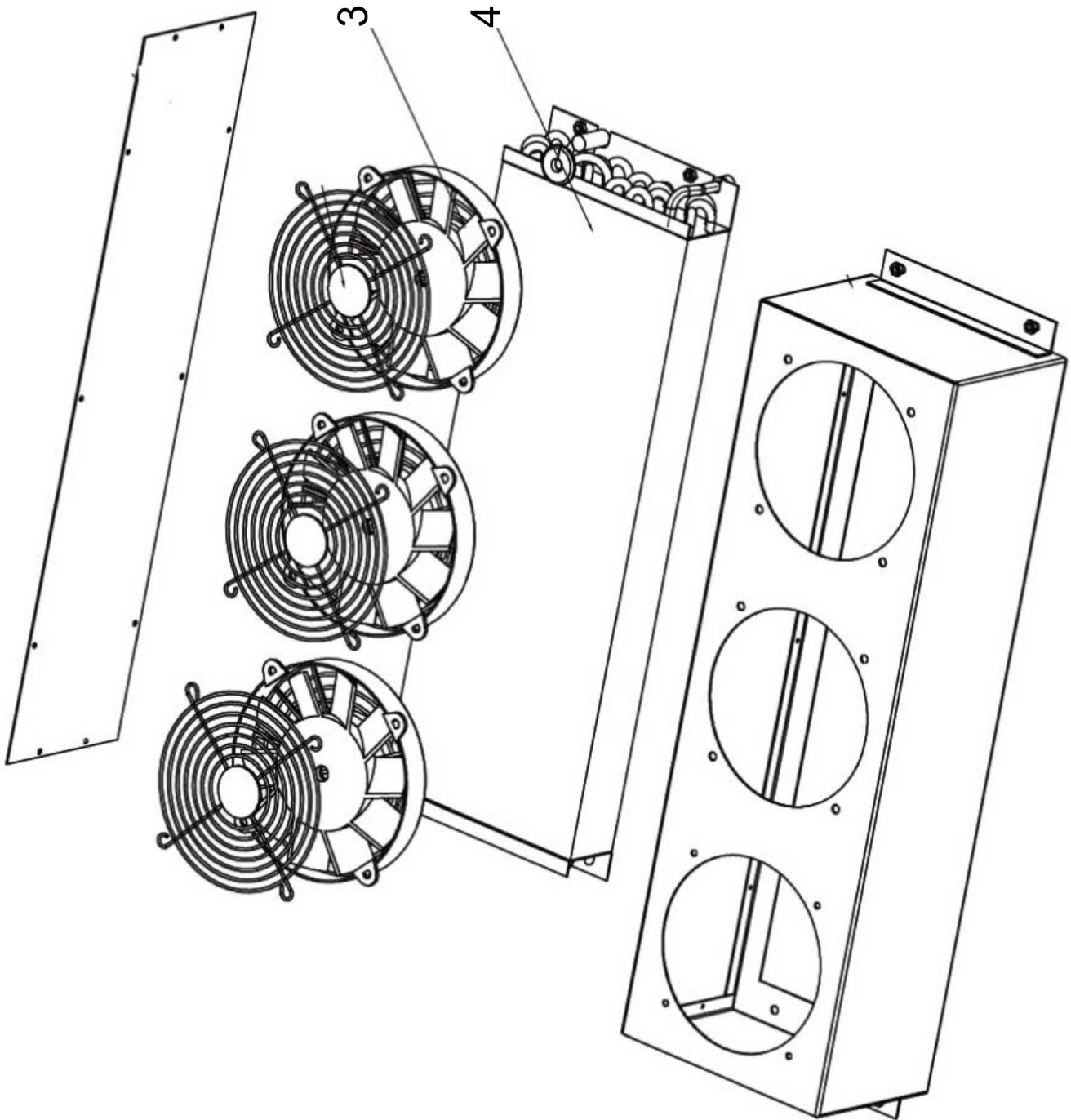


Refer to Parts Online for the most up to date information. The printed information might be outdated.

Thu Aug 20 22:04:18 MDT 2015

Item	Part No.	Name	Qty	L	SN INFO
1	4812267208	Bracket	1		
2	4812273529	Compressor	1		
3	4700413065	V-belt	1		
4	4700904556	Steel plain washer	4		
5	4700500067	Screw	4		
6	4700379811	Set screw	1		
7	4700904379	Hexgon head screw M	1		
8	4700904230	Washer 10.5x22x2 mm 300 HV	5		
9	4700791172	Lock nut M10 DIN985	5		
10	4700379812	Set screw	1		
11	4700570006	Hex. nut	1		
12	4700904557	Washer, 10.5x22x4 mm 300 HV	3		
13	4700500031	Screw	3		

Air conditioner assembly Condensor

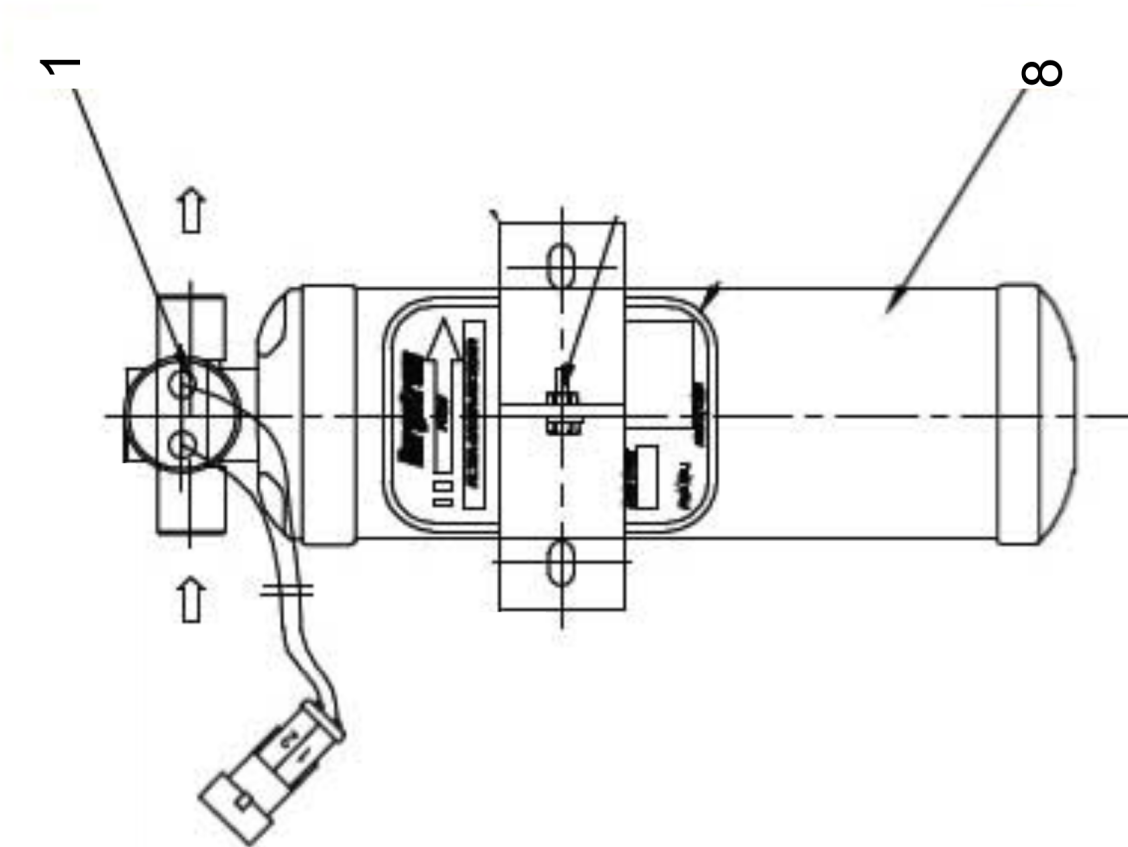


Refer to Parts Online for the most up to date information. The printed information might be outdated.

Thu Aug 20 22:04:19 MDT 2015

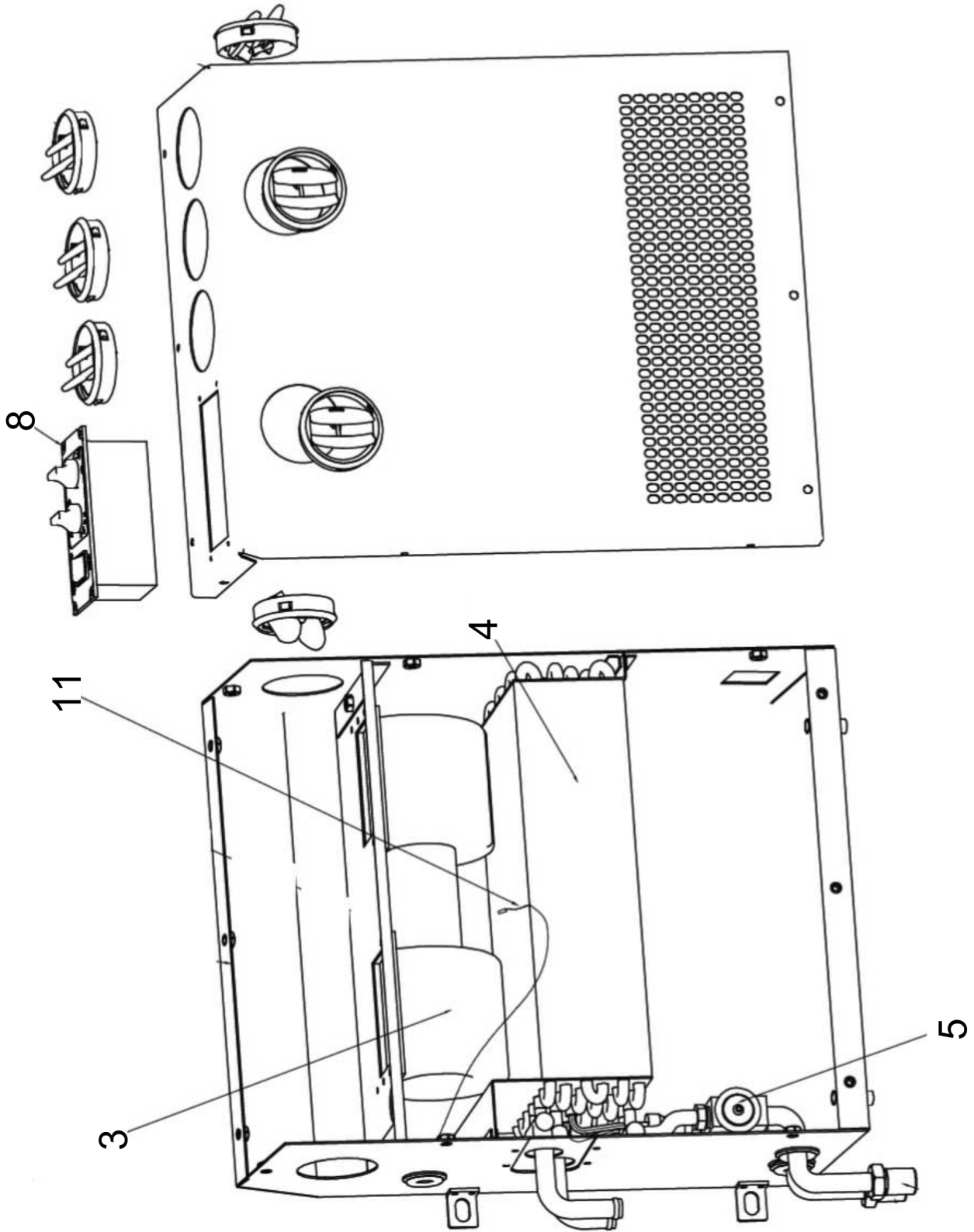
Item	Part No.	Name	Qty	L	SN INFO
3	4812271702	Condensor fan	3		
4	4812271703	Condensor coil	1		

Air conditioner assembly Receiver driver



Item	Part No.	Name	Qty	L	SN INFO
1	4812271704	Pressure switch	1		
8	4812271705	Receiver driver	1		

Air conditioner assembly Evaporimeter



Refer to Parts Online for the most up to date information. The printed information might be outdated.

Thu Aug 20 22:04:20 MDT 2015

Item	Part No.	Name	Qty	L	SN INFO
3	4812271698	Evaporimeter fan	1		
4	4812271699	Evaporimeter coil	1		
5	4812271700	Expansion valve	1		
8	4812271625	Control panel	1		
11	4812271701	Thermostat	1		

Appendix B:Parts Index

4700100040	12, 26	4700288129	82
4700116041	16, 104	4700310008	12
4700160105	16, 104	4700311016	208
4700160132	154	4700313001	90
4700160231	154	4700313003	218
4700160269	194	4700313004	216, 222
4700160272	134	4700313006	82
4700162008	138	4700313010	82
4700162011	106, 108	4700313023	82
4700162017	104, 108	4700313035	46
4700162018	104	4700313041	90
4700162024	106	4700313075	84
4700162027	104, 108	4700313093	88, 96, 98
4700167023	104	4700313102	138, 158, 172, 216
4700167032	12, 26	4700330170	84
4700167033	12, 26	4700330171	84
4700202046	82, 82	4700330330	216
4700202047	30, 36	4700330331	80
4700212339	146, 146	4700330333	130, 132
4700212553	118, 128	4700330383	80
4700230515	80	4700334121	154, 158
4700232039	174	4700334132	134, 136
4700232041	22	4700334138	134, 136
4700232097	158	4700334140	138
4700232210	100, 104, 108	4700334196	172
4700233304	174	4700334199	158
4700234218	158	4700334205	154, 170
4700234243	136	4700334389	170
4700234365	222	4700334419	154
4700234382	154	4700334463	90, 172
4700234388	172	4700334468	136
4700234622	172	4700334523	172
4700234624	138	4700334558	158
4700234626	158	4700337042	26
4700234662	160	4700337045	12, 26
4700234843	170	4700337221	12, 26
4700234875	136	4700338304	158
4700234888	170	4700340863	186
4700234909	136	4700343159	26
4700234958	138	4700343318	104
4700244054	90	4700343744	104, 108
4700246069	84, 84	4700343775	22
4700272372	204	4700345234	154
4700272373	202	4700345243	136
4700281783	138	4700345874	12, 26
4700285909	46	4700345875	12, 26
4700285911	20, 46	4700346230	220
4700287597	194, 218	4700347119	22
4700287598	194	4700347512	38
4700287724	134	4700348331	38, 202
		4700348481	20, 46

4700349682	100	4700372087	22
4700349715	104	4700372229	4, 10, 136, 136
4700349879	174	4700372235	134
4700349880	174	4700372347	52
4700349909	134	4700372409	52
4700349971	100	4700372457	54
4700349972	100	4700372489	52
4700349973	18, 100	4700372494	38, 54
4700355263	194	4700372513	158
4700355301	196	4700372514	158
4700355869	48	4700372575	30, 36
4700355890	208	4700372578	134, 156
4700355983	114	4700372580	134, 134, 138, 154
4700356348	172	4700372581	156
4700357138	10, 174	4700372586	134, 138
4700357278	138	4700372608	28, 34
4700357316	42	4700372609	30, 36
4700357320	42	4700372625	158
4700357424	42	4700372658	208
4700357488	22	4700372678	52
4700357501	46	4700372695	30, 36
4700357583	190	4700372709	22
4700357585	194	4700372757	38
4700357643	42, 54	4700372758	198
4700357855	42	4700372772	78
4700358142	42	4700372785	38, 54
4700358143	42	4700372837	208
4700358172	18, 100	4700372964	48
4700358388	144, 144, 144	4700373112	138, 156
4700358452	200	4700373123	26
4700358881	42, 202	4700373184	198, 198
4700359550	136	4700373203	30
4700359551	136, 136	4700373204	30
4700359552	136, 136	4700373309	30, 52
4700370231	104	4700373361	136
4700370803	52	4700373363	204
4700371326	194	4700373364	204
4700371344	194	4700373400	38
4700371366	28, 34	4700373423	84
4700371512	110	4700373442	100
4700371620	78	4700373443	100
4700371669	158	4700373460	22, 90
4700371727	80	4700373574	90
4700371730	70	4700373746	50
4700371737	82	4700373747	50
4700371774	82	4700373748	50
4700371955	100	4700373749	50
4700371956	100, 104	4700373750	50
4700372018	154	4700373768	100
4700372029	174	4700373770	100
4700372044	174	4700373854	52

4700373855	52	4700379608	60
4700373891	190	4700379636	38, 38, 54
4700373906	50	4700379637	52
4700373907	50	4700379811	224
4700373955	28, 34	4700379812	224
4700373956	28, 34	4700379876	108
4700373957	28, 34	4700379878	104
4700374028	172	4700380018	104, 108
4700374029	198	4700380079	186
4700374030	198	4700380109	28, 34
4700374059	138	4700380113	38
4700374217	156	4700380123	38
4700374398	200	4700380146	154
4700374471	38	4700380277	194
4700374606	54	4700380278	194
4700374607	54	4700380281	192
4700374728	100	4700380366	46
4700374744	22	4700380436	22
4700374797	28, 34	4700380490	138
4700374798	28, 34	4700380549	192
4700374799	28, 34	4700380577	192
4700374854	30	4700380685	42
4700374898	26	4700380699	192
4700375171	82	4700380700	192
4700375172	82	4700380727	38
4700376000	160	4700380830	136, 142
4700376252	38, 54	4700380963	50
4700376488	52	4700380964	50
4700376489	52	4700381027	104
4700376561	84	4700381413	84
4700376573	84	4700381462	198
4700376619	96	4700381634	104, 108
4700376622	24	4700381989	28, 34
4700376819	24	4700382129	30, 36
4700376829	24	4700382130	28, 34
4700377518	38, 54	4700382131	28, 34
4700377556	38, 54	4700382132	28, 34
4700377677	52	4700382165	28, 34
4700377742	204	4700382335	30, 36
4700377743	204	4700382336	30, 36
4700377744	202	4700382349	44
4700378210	78	4700382355	30, 36
4700378211	78	4700382391	78
4700378213	78	4700382397	54
4700378214	80	4700382582	38, 54
4700378308	54	4700382751	202
4700379214	88	4700382782	194
4700379236	60	4700382885	46
4700379248	28	4700383705	42, 54
4700379251	28, 34	4700383726	84
4700379394	216	4700383951	52

4700383955	114	4700387633	44
4700383975	114	4700387638	216, 222
4700384114	100, 106	4700387699	96, 98
4700384121	100	4700387728	196
4700384159	202	4700387964	88
4700384163	198	4700388146	114
4700384402	76	4700388203	44
4700384403	76	4700388449	204
4700384503	12, 26	4700388650	96, 98
4700384589	220	4700388727	84
4700384759	54	4700388728	84
4700384761	218	4700388732	82
4700384762	218	4700388800	96, 98
4700384877	220	4700388855	80
4700384878	220	4700389138	80
4700384879	220	4700389170	44
4700384881	218	4700389175	44
4700385100	114	4700389177	44
4700385134	218	4700389184	44
4700385152	28	4700389564	134
4700385376	88	4700389577	200
4700385379	88	4700389600	88
4700385691	88	4700389662	190
4700385692	88	4700390182	28
4700385871	138	4700390483	220
4700385873	94	4700390500	82
4700386047	88	4700390589	114
4700386152	96, 98	4700390591	114
4700386153	96, 98	4700390743	78
4700386163	96, 98	4700390759	114
4700386222	82	4700390760	114
4700386272	16	4700390762	114
4700386410	96	4700390896	14, 104, 108
4700386641	88	4700390900	202
4700386662	82	4700390927	64
4700386663	82	4700391303	216
4700386664	82	4700392027	158, 166
4700386688	78	4700392106	166
4700386699	82	4700392107	166
4700386768	44	4700392108	166
4700386774	96, 98	4700392109	166
4700387128	80	4700392110	166
4700387397	192	4700392170	84
4700387418	194	4700392233	88
4700387419	198	4700392313	84
4700387427	192	4700392420	104, 108
4700387454	96, 98	4700393280	216
4700387466	216	4700393335	114, 114, 214
4700387525	88	4700393695	154
4700387554	192	4700394210	216
4700387562	138	4700394646	134

4700394650	134	4700500025	84
4700394683	88	4700500026	28, 34
4700394690	8, 10, 88	4700500028	28, 34, 134, 136, 154
4700394691	10, 88	4700500029	22, 38, 54, 82, 96, 98
4700394902	158	4700500030	28, 34, 42, 90
4700397130	22	4700500031	48, 84, 224
4700397217	80	4700500033	90, 136
4700397284	78	4700500035	190
4700397285	78	4700500036	80
4700413065	224	4700500037	26
4700416004	46	4700500040	30, 36, 42, 44, 82, 190, 198
4700416034	44, 46	4700500043	22, 198
4700482010	138	4700500046	96, 98, 136
4700482056	170	4700500048	48
4700482182	136	4700500053	38, 60, 82, 96, 98, 172, 190, 216, 220
4700482391	136	4700500060	190
4700482399	170	4700500061	138
4700482516	170	4700500067	90, 224
4700482741	138	4700500070	80
4700483022	134	4700500075	84, 190, 194
4700483023	154	4700500076	24
4700483024	154	4700500082	100, 104, 106, 108
4700483028	134	4700500088	30, 36
4700483029	134	4700500092	134
4700483031	154	4700500093	24
4700483033	136	4700500100	52, 220
4700483040	170	4700500101	134
4700483049	158	4700500109	138
4700483109	158	4700500133	28, 34, 158
4700483128	138	4700500134	100
4700483188	172	4700500153	50
4700483204	172	4700500154	80
4700483445	172	4700500163	90, 104, 108
4700483497	160	4700500188	22, 26
4700483498	158	4700500192	134, 154, 174, 220
4700483605	138	4700500194	78, 80, 154
4700483622	138	4700500195	38, 54
4700483697	158	4700500196	104
4700484044	154	4700500210	38
4700484060	154	4700500211	38
4700500004	220	4700500239	52, 80
4700500006	90	4700500263	136
4700500008	84	4700500505	28, 34
4700500012	82, 192, 198	4700502034	160
4700500013	30, 36, 46, 80, 200	4700502078	154
4700500015	44, 96, 98	4700502132	134, 136, 154
4700500018	30, 36, 82, 172, 222	4700506018	156
4700500019	30, 36, 60, 70, 74, 88, 138, 174, 216, 222	4700508029	78, 158
4700500021	28, 34, 42, 46, 50, 52, 88, 138, 192, 200, 208	4700508079	80
4700500022	50, 220	4700508080	154
4700500023	158, 220	4700509025	78

4700527002	100	4700791511	190
4700533001	20, 46	4700791513	90
4700533013	196	4700791573	114
4700533038	46	4700791595	190
4700533070	196	4700791948	24
4700535005	68	4700792052	190
4700535011	28, 34	4700792187	210, 210
4700541507	30, 36	4700792261	114, 114, 214
4700541702	42, 194, 198, 200	4700792277	190
4700541703	46	4700792299	154
4700560033	84	4700792322	84
4700560037	52	4700792464	100
4700570003	38, 210, 210	4700792551	84
4700570004	30, 36, 44, 46, 82, 194	4700792654	156
4700570005	28, 34, 44, 54, 84, 190, 216	4700792682	190
4700570006	158, 174, 220, 224	4700801567	190
4700573004	46	4700802550	88
4700573008	44	4700813316	158
4700586001	196	4700813391	22
4700586002	42, 50, 194	4700813434	190, 222
4700586003	46, 50, 74, 80, 88, 158, 200, 220	4700813444	158
4700586018	78, 134, 198	4700813499	134, 136
4700586019	24, 80	4700813500	158
4700586021	70	4700813618	110, 150
4700588176	202	4700813822	142, 150
4700600008	160	4700900229	136
4700601001	210, 210	4700900255	116, 126
4700604007	154	4700900552	90, 170
4700624005	202	4700900604	136
4700624016	52	4700900775	104, 108
4700624017	202	4700900776	14, 104, 108
4700629016	46	4700900782	14, 104, 108
4700629066	70	4700900807	26
4700635061	22, 166	4700900957	122, 130
4700747282	84, 90	4700900966	122, 130
4700747691	80	4700901145	38, 54, 114
4700791119	174	4700901155	156
4700791120	174	4700901157	154
4700791156	104, 108	4700901218	114
4700791172	224	4700901220	208
4700791175	114	4700901226	194
4700791176	114	4700901240	194
4700791212	154	4700901328	148
4700791218	54	4700901369	198
4700791226	42, 54	4700901443	114
4700791306	78	4700901444	114
4700791371	190	4700901452	142
4700791468	80	4700901453	144, 150, 150, 162, 164
4700791489	194	4700901454	142
4700791503	190	4700901455	142
4700791510	190	4700901458	142

4700901465	146	4700902960	150
4700901466	146	4700902961	152
4700901467	146	4700902962	152
4700901475	148	4700902984	152
4700901476	148	4700902996	152
4700901767	30, 36, 194	4700903189	104
4700901834	116, 126	4700903190	90, 106
4700901987	124, 132	4700903290	38, 54, 134
4700902115	156	4700903395	46
4700902123	48	4700903422	202
4700902125	172	4700903423	204
4700902166	30, 30, 30, 30, 36, 36, 36, 36, 82, 82, 82, 82, 84, 96, 96, 96, 98, 98, 98, 98, 134	4700903424	204
4700902187	46	4700903425	202
4700902189	46	4700903459	202
4700902191	46	4700903570	142
4700902203	38	4700903571	142
4700902223	194	4700903580	144, 144
4700902224	194	4700903625	196
4700902225	194	4700903631	190
4700902227	198	4700903632	190
4700902260	186	4700903640	190
4700902261	186	4700903641	190
4700902264	186	4700903679	220
4700902265	186	4700903714	84
4700902284	28, 34, 192	4700903732	28, 34
4700902285	30, 36, 44, 190	4700903741	216
4700902286	28, 34, 192	4700903750	134
4700902379	42	4700903768	192
4700902558	90	4700903782	60
4700902581	136, 136, 150	4700903812	158
4700902610	208	4700903820	194
4700902624	176	4700903831	158
4700902625	176, 182, 182	4700903852	220
4700902638	176	4700903875	194
4700902687	176	4700903919	100
4700902695	176	4700903953	84
4700902697	182	4700903970	196
4700902724	176	4700903985	114, 202, 212
4700902752	176	4700904005	134, 136, 154, 158
4700902783	182	4700904036	190
4700902811	182	4700904037	190
4700902814	182, 182	4700904038	198
4700902866	28, 34	4700904039	216
4700902895	46	4700904069	204
4700902896	46	4700904156	220
4700902919	22, 42	4700904180	52
4700902928	142, 144, 150, 150	4700904213	136
4700902929	150	4700904228	30, 36, 42, 44, 46, 50, 80, 82, 96, 98, 194, 198, 200
4700902930	150	4700904229	22, 26, 38, 44, 46, 46, 50, 54, 60, 70, 74, 78, 82, 88, 90, 96, 98, 138, 158, 172, 174, 190, 200, 216, 220
4700902944	150	4700904230	22, 30, 36, 38, 42, 48, 48, 54, 78, 82, 90, 96, 98, 134, 136,

154, 198, 198, 220, 224	4700908352	144
4700904231 . . . 26, 28, 34, 38, 54, 80, 90, 96, 98, 104, 154, 158	4700908355	70
4700904232 24, 70, 80, 80, 100, 104, 108, 154	4700908359	74
4700904233 22, 38, 54, 80, 100, 114	4700908361	70
4700904234 52, 100	4700908383	176
4700904241 28, 34, 96, 98	4700908422	150
4700904244 30, 36	4700908426	152
4700904281 84, 90, 190, 196	4700908427	150
4700904282 138	4700908432	142, 144, 144, 144, 150, 152
4700904314 198	4700908435	152, 164
4700904340 50	4700908440	164
4700904379 78, 224	4700908443	150
4700904385 166	4700908448	148
4700904433 38, 54	4700908485	118, 128
4700904448 190	4700908499	58, 60, 60, 64
4700904479 26, 100	4700908501	220
4700904486 82	4700908502	220
4700904495 154	4700908503	220
4700904543 220	4700908504	220
4700904551 82	4700908506	60
4700904556 28, 34, 46, 224	4700908507	60
4700904557 22, 28, 34, 90, 224	4700908545	58, 58, 58, 58, 58, 58, 60, 60, 64, 64, 64
4700904562 52, 100	4700908580	64
4700904567 28, 34, 84, 174, 220	4700908581	64
4700904619 52	4700908582	64
4700904623 84	4700908583	64
4700904637 78, 158	4700908605	72
4700904638 78, 134, 136, 154, 190	4700908617	72
4700904639 190	4700908623	68
4700904640 28, 34, 42, 52, 82, 88, 96, 98, 208	4700908624	68
4700904663 12	4700908625	70
4700904695 90	4700908626	70
4700904697 46	4700908627	70
4700904698 196	4700908628	70
4700904703 24, 80	4700908780	168
4700904734 52, 52	4700909259	152, 164
4700904735 138	4700909382	142
4700904737 104, 108	4700909386	142
4700904773 154	4700909387	142
4700904793 136	4700909388	142
4700904835 202	4700909389	142
4700904846 196	4700909390	142
4700904870 202	4700909391	142
4700904874 30, 36	4700909392	142
4700905304 72	4700909393	142
4700905305 72	4700909398	142
4700905306 72	4700909399	146
4700908136 84, 172	4700909428	146
4700908229 202	4700909429	146
4700908265 70	4700909432	146
4700908267 74	4700909435	148

4700909436	148	4700921132	216
4700909469	178, 182	4700921161	222
4700909514	176, 176, 182	4700922325	46
4700909525	152	4700923087	142, 144, 144, 144, 144, 144, 144, 164, 164, 164, 164
4700909544	122, 130	4700923342	118, 128
4700909550	118	4700923371	138
4700909551	118	4700923384	134, 136, 154
4700909552	118	4700923874	44
4700909553	118	4700923976	196
4700909558	118	4700924620	12, 26
4700909559	118	4700924791	50
4700909560	118	4700924875	42
4700909561	118	4700925519	80
4700909562	118	4700925629	30, 36
4700909563	118	4700925631	90
4700909565	118	4700925723	170
4700909566	118	4700925802	80, 198
4700909567	118, 128	4700926214	12, 26, 158
4700909568	118, 128	4700926781	124, 132
4700909569	118, 128	4700926810	122, 130
4700909570	118, 128	4700926847	122, 130
4700909572	118, 128	4700926985	82
4700909574	118, 128	4700927117	22
4700909576	118, 128	4700927637	30, 36
4700909580	118, 128	4700927857	96, 98
4700909581	118, 128	4700927974	30, 36, 38, 54
4700909582	116, 126	4700928497	20, 46
4700909584	116, 126	4700928830	48
4700909586	124, 132	4700928850	22
4700909596	130, 132	4700929023	190
4700909609	122, 122, 124, 130, 130, 132	4700929123	158
4700909616	122, 130	4700929217	114
4700909618	122, 130	4700929447	16, 104
4700909619	122, 130	4700929617	122, 130
4700909622	122, 130	4700929626	128
4700909624	122, 130	4700929628	118
4700909626	122, 130	4700929629	118
4700909727	142	4700929630	128
4700910161	158	4700929631	128
4700910995	26	4700929638	118, 128
4700911456	194	4700929644	118, 128
4700921031	198	4700929648	116, 126
4700921039	198, 198, 200	4700930153	194
4700921050	84	4700930154	194
4700921056	216, 220	4700930163	194, 194
4700921063	80	4700930198	194
4700921072	192	4700930200	194
4700921084	138	4700932032	194, 194
4700921099	84	4700935164	180
4700921104	190	4700935172	182
4700921116	190	4700935192	178

4700935212	182	4700935387	110
4700935219	176	4700935388	110
4700935244	64	4700935389	110
4700935245	64	4700935394	110
4700935246	64	4700935395	110
4700935247	64	4700935396	110
4700935248	64	4700935397	110
4700935249	64	4700935400	110
4700935250	64	4700935401	110
4700935253	66	4700935402	110
4700935265	64	4700935403	110
4700935266	64	4700935404	110
4700935267	64	4700935405	110
4700935268	64	4700935411	110
4700935269	64	4700935413	110
4700935270	64	4700935414	110
4700935271	58, 60, 64	4700935415	110
4700935272	58, 60, 64	4700935429	168
4700935273	58, 64	4700935520	152, 162
4700935274	58, 64	4700935521	150
4700935275	58, 64	4700935523	162
4700935276	58, 64	4700935524	150, 164
4700935277	58, 64	4700935525	150, 164
4700935278	58	4700935526	150
4700935279	58	4700935527	150, 164
4700935280	58	4700935530	150
4700935281	58	4700935531	150
4700935282	58	4700935533	150
4700935283	58	4700935536	152
4700935284	58	4700935537	162
4700935285	58	4700935541	162
4700935286	58	4700935543	152, 164
4700935287	58	4700935544	152
4700935288	58	4700935545	152
4700935289	58	4700935586	220
4700935290	58	4700935613	48
4700935291	60	4700935614	48
4700935293	60	4700935644	118
4700935295	60	4700935664	152
4700935296	60	4700935741	150
4700935297	60	4700935749	150
4700935298	60	4700935750	150
4700935299	60	4700935856	142
4700935300	60	4700935857	146
4700935301	60	4700936304	182
4700935302	60	4700936305	182
4700935303	60	4700936308	176
4700935380	112	4700936313	182
4700935381	110	4700936370	182, 182
4700935382	110	4700936394	182
4700935386	110	4700936546	142

4700936547	142	4700936655	178
4700936548	148	4700936656	178
4700936549	142	4700936657	182
4700936551	144	4700936658	182
4700936553	144	4700936659	182
4700936554	148	4700936660	182
4700936557	144	4700936661	182
4700936558	144	4700936662	182
4700936559	144, 144	4700936663	182
4700936560	144	4700936664	182
4700936561	144	4700936665	182
4700936562	144	4700936673	182
4700936563	144	4700936686	176
4700936564	144	4700936689	176
4700936566	146	4700936898	136, 136
4700936567	146	4700937055	158
4700936568	146	4700937150	146
4700936570	146	4700937187	180
4700936571	146	4700937240	182
4700936582	144	4700937259	186
4700936583	146	4700937363	152
4700936593	152	4700937380	58
4700936609	176	4700937381	58
4700936612	176	4700937382	58
4700936613	182	4700937383	58
4700936614	182	4700937384	58
4700936616	180	4700937385	58
4700936617	180	4700937389	60
4700936618	180	4700937390	64
4700936619	180	4700937391	64
4700936620	180	4700937392	64
4700936621	180	4700937393	64
4700936622	180	4700937675	186
4700936623	180	4700937737	216
4700936627	180	4700937857	146
4700936628	180	4700937870	76
4700936629	180	4700937871	72
4700936630	180	4700938014	178
4700936631	180	4700938017	64
4700936632	180	4700938018	66
4700936633	180	4700938062	168
4700936634	180	4700938068	168
4700936636	180	4700938070	168
4700936637	180	4700938101	66
4700936642	176	4700938170	146
4700936643	178	4700938252	146
4700936644	176	4700938253	146
4700936646	178	4700938273	78
4700936647	178	4700938290	58
4700936648	178	4700938291	58
4700936654	178	4700938292	60

4700938296	122, 130	4700939283	122, 130
4700938514	10, 78	4700939284	122, 130
4700938516	10	4700939285	122, 130
4700938562	12	4700939286	122, 130
4700938621	218	4700939287	122, 130
4700938622	218	4700939348	122, 124
4700938638	218	4700939349	124, 132
4700938639	218	4700939350	124, 132
4700938645	218	4700939351	124, 132
4700938659	60	4700939372	4, 8, 10, 78
4700938883	18	4700939373	78
4700938891	16	4700939403	90
4700938983	122, 130	4700939404	4, 8, 10, 90
4700938984	122, 122, 130, 130	4700939405	90
4700938989	118, 128	4700939489	146
4700938991	128	4700939503	4, 6, 8, 10, 78
4700939003	124, 132	4700939504	78
4700939015	124, 132	4700939506	80
4700939016	124, 132	4700939693	218
4700939017	124, 132	4700939955	78
4700939019	124, 132	4700939960	78
4700939026	122, 130	4700940263	94
4700939035	122, 130	4700940264	94
4700939036	122, 130	4700940266	94
4700939173	178	4700940505	176
4700939255	122, 130	4700940507	176
4700939256	122, 130	4700940676	176
4700939257	118	4700940678	64
4700939258	118, 128	4700945140	78
4700939259	118, 128	4700945587	108
4700939260	118, 128	4700945594	104
4700939261	118, 128	4700945622	38, 54
4700939262	118	4700945652	4
4700939263	124, 132	4700945657	14
4700939264	124, 132	4700945757	152, 162
4700939265	124, 132	4700945773	78
4700939266	124, 132	4700945774	78
4700939267	124, 132	4700945775	176
4700939268	124, 132	4700945776	176
4700939269	124, 132	4700945777	90
4700939270	124, 132	4700945880	186
4700939271	124, 132	4700945892	78
4700939272	124, 132	4700947680	44, 46
4700939273	124, 132	4700950283	144
4700939275	124, 132	4700950284	144
4700939276	124, 132	4700950635	182
4700939277	124, 132	4700985012	194
4700939278	124, 132	4700985125	194
4700939280	122, 130	4700985146	194
4700939281	122, 130	4700989151	174
4700939282	122, 130	4700991658	204

4700999011	200	4812155780	164
4700999027	192	4812156072	146
47386084BR	202	4812156092	186
47386084CN	202	4812156170	18
47386084DE	202	4812156652	142
47386084DK	202	4812156885	128
47386084EN	202	4812156886	128
47386084ES	202	4812156960	78
47386084FI	202	4812156961	78
47386084FR	202	4812156977	180
47386084GR	202	4812156978	180
47386084IS	202	4812157260	58, 64
47386084IT	202	4812157261	58, 64
47386084NL	202	4812157268	6
47386084NO	202	4812157269	8
47386084PT	202	4812157270	10
47386084SE	202	4812157578	164
4811000152	100	4812157653	162
4812110216	198	4812265106	34
4812110366	100	4812265107	34
4812110552	100	4812265108	36
4812110572	100	4812265109	36
4812110576	100	4812265111	84
4812110773	30, 36	4812265113	34
4812110835	100	4812265114	34
4812110860	104	4812265120	202
4812111126	78	4812265121	202
4812112413	104	4812265128	36
4812112596	88	4812265129	36
4812112597	84	4812265465	210
4812112600	90	4812265741	22
4812112601	90	4812265742	22
4812112602	90	4812265745	22
4812112749	104, 108	4812265746	210
4812112798	22	4812265832	36
4812112944	190	4812265833	220
4812112987	28	4812265836	206
4812113709	90	4812265837	206
4812113917	98	4812265838	206
4812113918	82	4812265839	220
4812113919	98	4812265841	222
4812113920	98	4812265842	220
4812114240	212	4812265843	220, 222
4812114368	82	4812265844	220
4812114466	38, 54	4812265845	220
4812115828	154	4812265846	220
4812115855	190	4812265847	220
4812120119	206	4812265848	222
4812155075	38	4812265849	222
4812155683	104	4812265850	222
4812155764	182	4812265851	222

4812265853	220
4812267208	224
4812268934	220
4812269829	206
4812269831	202
4812269858	204
4812270031	214
4812270032	212, 214
4812270033	212
4812271625	230
4812271698	230
4812271699	230
4812271700	230
4812271701	230
4812271702	226
4812271703	226
4812271704	228
4812271705	228
4812273529	224
4812274390	46
4812274596	154
4812274597	154
4812274841	138
4812274843	210
4812274844	210
4812275678	84
4812313045	186
D433722101	12, 26
D433722102	12, 26
hollowwheel	110
hub	110
needlerollerbearing	112
nut	110
planetcarrier	110, 112
planetgear	110, 110, 112
plate	110, 112
retainingring	110, 110, 112
rollerbearing	110, 110
springring	110, 110, 110, 112
sunwheel	110, 112, 112

Any unauthorized use or copying of the contents or any part thereof is prohibited.
This applies in particular to trademarks, model denominations, part numbers, and drawings.

